



18



171



196

## Contents

### 4 New Products

---

### 6 Index

---

### 18 Industrial Electrical Enclosures

---

Stainless Steel Enclosures	18
Double Door Enclosures	31
Pumpstation / Powerwash Series	43
Accessories	46

### 54 Fiberglass Enclosures

---

Fiberglass Enclosures	54
Premier Series	74
Polycarbonate Series	80

### 88 Increased Safety Enclosures

---

Quarter Turn Latch Terminal Enclosures	88
Populated Terminal Enclosures	96
Empty Terminal Enclosures	152
CN Series - Control Enclosures	161
CN Series - Controls	167
High Voltage Junction Boxes	171
Principles, Markings and Design Guidelines	174

### 182 Explosionproof Instrument Housings

---

Explosionproof Instrument Housings	182
------------------------------------	-----

### 209 Explosionproof/Dust-Tight Enclosures

---

Explosionproof Enclosures	209
---------------------------	-----

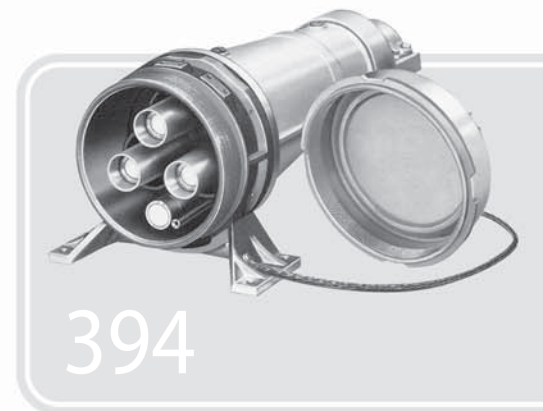
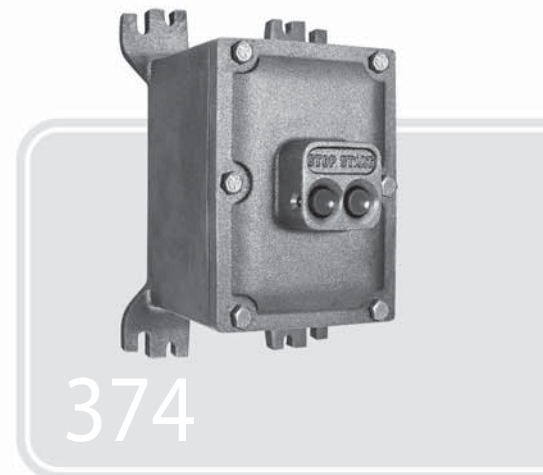
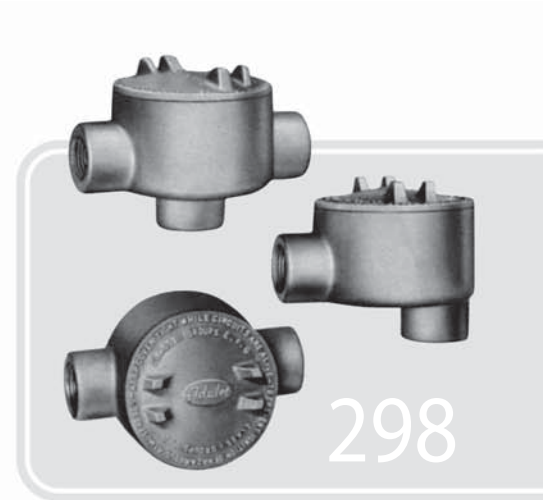
### 248 Explosionproof Auxiliary Devices

---

Push Buttons	248
Selector Switches	251
Pilot Lights	253
LED Pilot Lights	254
Flame Arrestors / Breather Drains	262 / 263

## Contents (cont.)

<b>269</b>	<b>Explosionproof Meter Housings</b>	
	Screw Cover	270
	Window Screw Cover	279
	Dome Cover	288
	Threaded Cover	294
<b>298</b>	<b>Explosionproof Fittings &amp; Accessories</b>	
	Multi-Hub Junction Boxes	298
	Conduit Unions	303
	Insulating Bushings	304
<b>310</b>	<b>Explosionproof &amp; Dust-Tight Panelboards</b>	
	Stainless Steel Panelboards	310
	Factory Sealed Panelboards 316	316
	Lighting & Power Distribution Panelboards	334
	Division 1 Explosionproof Panelboards	340
<b>355</b>	<b>Motor Control</b>	
	Circuit Breaker Enclosures	355
	Explosionproof Motor Starters	360
	IEC Motor Control	368
	Explosionproof Motor Starter/Protector	374
	Switch Rack Assemblies	376
<b>388</b>	<b>PLM - Cable Systems</b>	
	Cable Couplers	390
	Conversion Kits	398
	Accessories	399
<b>406</b>	<b>Technical Data</b>	
	Industry Standards & Definitions	406



## Quick Guide

# ATEX

## Certified Products

### Increased Safety Terminal Enclosures Ex e II 88

ATEX Conformity and Component Enclosures Available.

### Instrument Housings Exd IIC 182

(except XDHLX is Exd IIB+H2)

XIHMK series

XIHX / XDHX series

XIHMX / XDHMX series

XIHLX / XDHLX series

### XCEX Exd IIB 209

Includes Push Buttons, Pilot Lights, Selector Switches, Potentiometers  
And Close Up Plugs When Installed In Adalet Enclosures.

### XCPX Enclosure Series 228

### ATEX Enclosure Certification 229

### XIFCX Control Enclosures 230

### Pilot Lights 253

### XJ\_X Screw Cover Series Exd IIB+H2 269

Includes Pushbuttons, Pilot Lights, Selector Switches, Potentiometers  
and Close Up Plugs When Installed in Adalet Enclosures.

### XJLBX Multi-Hub General Purpose Junction Box 298

### XCB\_X Circuit Breaker Enclosures 355

The information in this catalog is compiled from data which we believe is reliable and is given in good faith. Since the methods of application and conditions under which our products are used is beyond our control, we are not able to guarantee the application and/or use of same. The user assumes all risks and liability in connection with the application and use of our products.

ADALET is not responsible for typographical, illustrative or photographic errors that may appear in this catalog. ADALET reserves the right to make adjustments or corrections due to errors, changing market conditions, product discontinuations, or typographical, illustrative or photographic errors. Metric units are provided for reference only. Specifications subject to change without prior notice. Contact ADALET for the most current specifications for specific products.

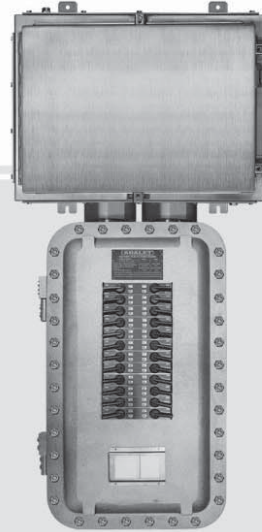
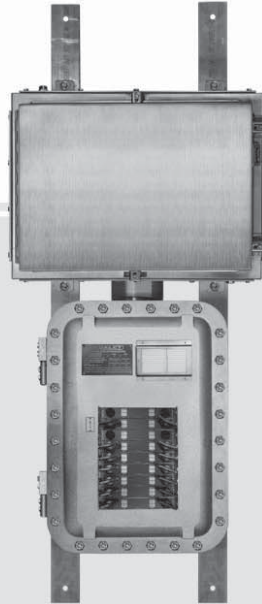
# Introducing Our New Products

## Explosionproof Factory Sealed Panelboards

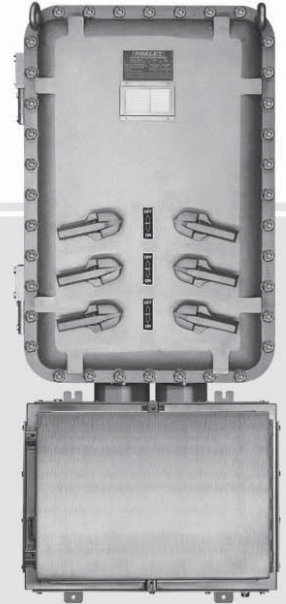


XCPX ATEX Control Panel

228

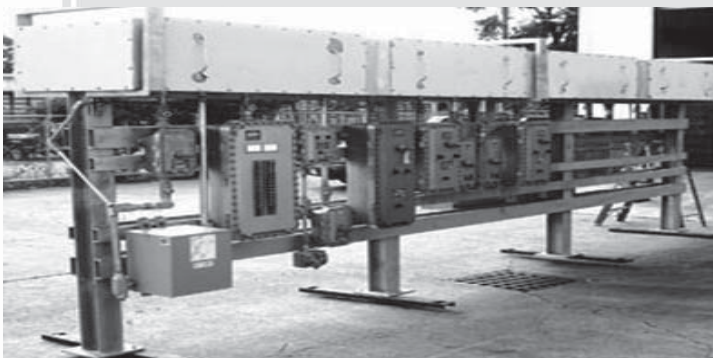


316



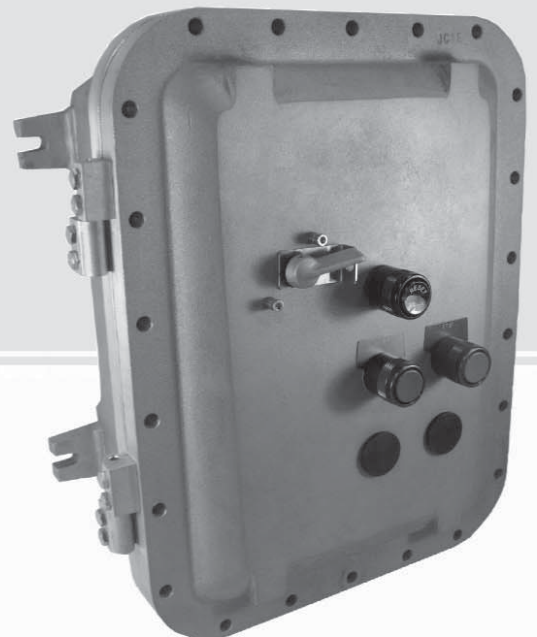
XIHNS Explosionproof Instrument Housing

204



Switch Rack Assemblies

376



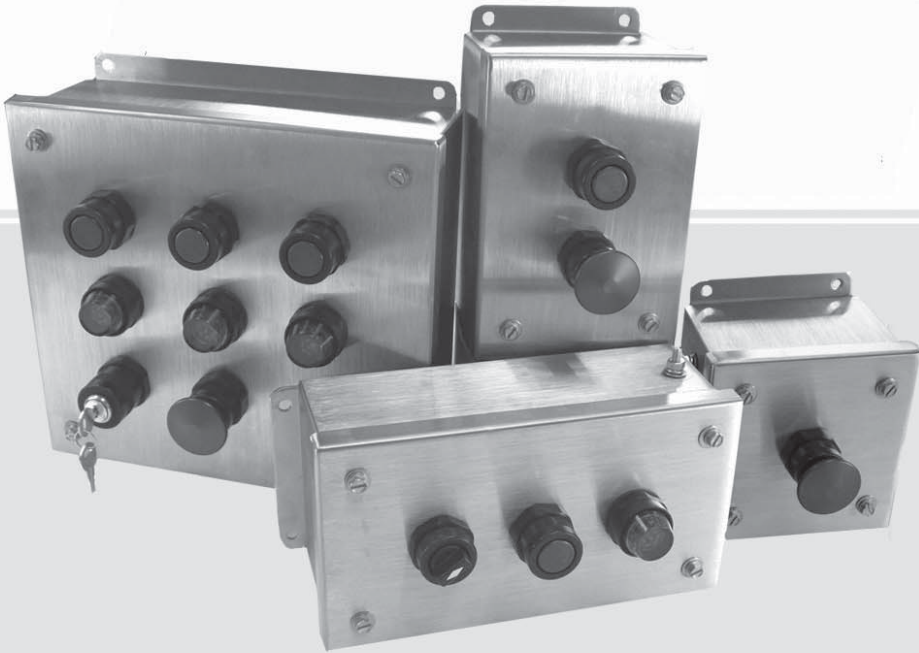
Explosionproof Combination \ Motor Starter

364



Pushbutton Station Enclosures

169



Pendant / Operator Station

237



Increased Safety Controls

166



Polycarbonate Enclosures

80



# INDEX

CAT#	PAGE
05P05	157
06P04	46, 156
06P06	46, 156
07P07	156
08P06	46, 156
08P08	46, 156
10P08	46, 156
10P10	46, 156
12MF-08-SS	47
12MF-10-SS	47
12MF-12-SS	47
12P06	157
12P08	157
12P10	46, 156
12P12	46, 156
14P08	46, 156
14P12	46, 156
15562-7	313, 337
15P15	46, 157
16P12	157
16P14	46, 157
16P16	157
18023	313, 337
24MF-10-SS	47
24MF-12-SS	47
3-265	300
3-275	296

## A

AC-2796	48
AC-2797	48
AC-2798	48
AC10	384
AC12	384
AC14	384
AC16	384
AC18	384
AC20	384
AC22	384
AC24	384
AC26	384
AC28	384
AC30	384
AC32	384
AC34	384
AC36	384
AC38	384
AC40	384
AC42	384
AC44	384
AC46	384
AC48	384
AC6	384
AC8	384
AVSS/AVSS6-121206	30
AVSS/AVSS6-161206	30
AVSS/AVSS6-161208	30
AVSS/AVSS6-161606	30
AVSS/AVSS6-161608	30
AVSS/AVSS6-162008	30
AVSS/AVSS6-201606	30
AVSS/AVSS6-201608	30
AVSS/AVSS6-202006	30
AVSS/AVSS6-202008	30
AVSS/AVSS6-202012	30
AVSS/AVSS6-202408	30
AVSS/AVSS6-241606	30
AVSS/AVSS6-241608	30
AVSS/AVSS6-242006	30
AVSS/AVSS6-242008	30
AVSS/AVSS6-242012	30
AVSS/AVSS6-242406	30
AVSS/AVSS6-242408	30
AVSS/AVSS6-242412	30

CAT#	PAGE
AVSS/AVSS6-242416	30
AVSS/AVSS6-242420	30
AVSS/AVSS6-243008	30
AVSS/AVSS6-302008	30
AVSS/AVSS6-302408	30
AVSS/AVSS6-302412	30
AVSS/AVSS6-302420	30
AVSS/AVSS6-303008	30
AVSS/AVSS6-303012	30
AVSS/AVSS6-362408	30
AVSS/AVSS6-362412	30
AVSS/AVSS6-363008	30
AVSS/AVSS6-363012	30
AVSS/AVSS6-363016	30
AVSS/AVSS6-363020	30
AVSS/AVSS6-363608	30
AVSS/AVSS6-363612	30
AVSS/AVSS6-423612	30
AVSS/AVSS6-483612	30
AVSS/AVSS6-483616	30
AVSS/AVSS6-603612	30

## B

BCV 20	386
BCV 25	386
BCV 30	386
BCV 35	386
BCV 40	386
BCV 50	386
BCV 60	386
Be Series	158
BKP-8	398
BKS-8	398
BPMG 415A	396
BPML 415A	396
BPML 515A	396
BFG 415A	396
BSFL 415A	396
BSFL 515A	396
BT1A	259
BT1B	259
BT2	259
BT3	259
BT4	259
BT44	259
BT5	259

## C

C-1008	399
C-1008-5	399
CN4X6-161206	162, 164
CN4X6-202010	179
Control Station	230, 232, 234
CP-40	399
CP-50	399
CSC4X6-050504	170
CSC4X6-050506	170
CSC4X6-080504	170
CSC4X6-080506	170
CSC4X6-080804	170
CSC4X6-080806	170
CSC4X6-100504	170
CSC4X6-100506	170
CSC4X6-100804	170
CSC4X6-100806	170
CSC4X6-101104	170
CSC4X6-101106	170
CSC4X6-130504	170
CSC4X6-130506	170
CSC4X6-130804	170
CSC4X6-130806	170
CSC4X6-131104	170

CAT#	PAGE
CSC4X6-131106	170
CSC4X6-131404	170
CSC4X6-130506	170
CV20	387
CV25	387
CV30	387
CV35	387
CV40	387
CV50	387
CV60	387
CVS 20	387
CVS 25	387
CVS 30	387
CVS 35	387
CVS 40	387
CVS 50	387
CVS 60	387

## D

D9SC090605	239
D9SC130905	239
D9SC161206	239
D9SC161608	239
D9SC201608	239
D9SC202008	239
D9SC241608	239
D9SC242410	239
D9SC302410	239
D9SC362410	239
D9SC363010	239
D9SC363612	239
DN4X/DN4X6-242108	27
DN4X/DN4X6-242508	27
DN4X/DN4X6-302508	27
DN4X/DN4X6-362508	27
DN4X/DN4X6-363108	27
DN4X/DN4X6-423112	27
DN4X/DN4X6-423712	27
DN4X/DN4X6-483712	27
DN4X/DN4X6-603712	27
DS12	159
DS16	159
DS20	159
DS24	159
DS30	159
DS36	159

## E

EHKSC	166
EHKSL	166
EHKSL2	166
EHKSR	166
EHKSR2	166
EHKSS	166
EHPB	167
EHPBM	167
EHSC	166
EHSL	166
EHSL2	166
EHSR	166
EHSR2	166
EHSS	166
ELAT12	167
ELAT120	167
ELAT24	167
ELGT12	167
ELGT120	167
ELGT24	167
ELPA12	168
ELPA24	168
ELPA120	168
ELPG12	168

CAT#	PAGE
ELPG24.....	168
ELPG120.....	168
ELPR12.....	168
ELPR24.....	168
ELPR120.....	168
ELPW12.....	168
ELPW24.....	168
ELPW120.....	168
ELRT12.....	167
ELRT120.....	167
ELRT24.....	167
ELWT12.....	167
ELWT120.....	167
EWK-0303SS6.....	45, 156
EWK-0503SS6.....	45, 156
EWK-0505SS6.....	45, 156
EWK-0703SS6.....	45, 156
EWK-0707SS6.....	45, 156
EWK-0905SS6.....	45, 156
EWK-0909SS6.....	45, 156
EWK-1111SS6.....	45, 156
EWK-1303SS6.....	45, 156
EWK-1308SS6.....	45, 156
EWK-1313SS6.....	45, 156
EWK-1515SS6.....	45, 156
EWK-1705SS6.....	45, 156
EWK-1711SS6.....	45, 156
EWK-1717SS6.....	45, 156
EWK-2315SS6.....	45, 156
EWK-2424SS6.....	45, 156
Explosionproof Fire Alarm Systems.....	240

## F

FC-14.....	307
FC-16.....	307
FC-18.....	307
FC-110.....	307
FC-112.....	307
FC-115.....	307
FC-118.....	307
FC-121.....	307
FC-124.....	307
FC-127.....	307
FC-130.....	307
FC-133.....	307
FC-136.....	307
FC-24.....	307
FC-26.....	307
FC-28.....	307
FC-210.....	307
FC-212.....	307
FC-215.....	307
FC-218.....	307
FC-221.....	307
FC-224.....	307
FC-227.....	307
FC-230.....	307
FC-233.....	307
FC-236.....	307
FC-36.....	307
FC-38.....	307
FC-310.....	307
FC-312.....	307
FC-315.....	307
FC-321.....	307
FC-324.....	307
FC-327.....	307
FC-330.....	307
FC-333.....	307
FC-336.....	307
FC-412.....	307
FC-415.....	307
FC-418.....	307

CAT#	PAGE
FC-421.....	307
FC-424.....	307
FC-427.....	307
FC-430.....	307
FC-433.....	307
FC-436.....	307
FC-512.....	307
FC-515.....	307
FC-518.....	307
FC-521.....	307
FC-524.....	307
FC-527.....	307
FC-530.....	307
FC-533.....	307
FC-536.....	307
FC-612.....	307
FC-615.....	307
FC-618.....	307
FC-621.....	307
FC-624.....	307
FC-627.....	307
FC-630.....	307
FC-633.....	307
FL92.....	302
FL93.....	302
FL94.....	302
FL95.....	302
FL96.....	302

## H

HV4X6-161606.....	172
HV4X6-201206.....	172
HV4X6-201407.....	172
HV4X6-201610.....	172
HV4X6-202006.....	172
HV4X6-202008.....	173
HV4X6-202010.....	173
HV4X6-241206.....	172
HV4X6-241606.....	172
HV4X6-242006.....	172
HV4X6-242008.....	173
HV4X6-242010.....	172, 173
HV4X6-242408.....	173
HV4X6-242410.....	172, 173
HV4X6-251807.....	172
HV4X6-301606.....	172
HV4X6-302010.....	172, 173
HV4X6-302207.....	172
HV4X6-302410.....	172, 173
HV4X6-362410.....	172, 173
HV4X6-362507.....	172
HV4X6-362510.....	172, 173
HV4X6-603610.....	172, 173
HV4X6-603616.....	172

## J

JAG 107-07.....	383
JAG 112-10.....	383
JAG 113-07.....	383
JAG 121-07.....	383
JAG 125-10.....	383
JAG 138-10.....	383
JAG 138-12.....	383
JAG 156-12.....	383
JAG 174-12.....	383
JAG 174-15.....	383
JAG 188-12.....	383
JAG 188-15.....	383
JAG 200-15.....	383
JAG 218-15.....	383
JAG 219-20.....	383
JAG 236-20.....	383

CAT#	PAGE
JAG 247-20.....	383
JAG 261-20.....	383
JAG 263-25.....	383
JAG 280-25.....	383
JAG 296-25.....	383
JAG 297-30.....	383
JAG 311-30.....	383
JAG 327-30.....	383
JAG 343-30.....	383
JAG 359-30.....	383
JAG 375-35.....	383
JAG 392-35.....	383
JAG 412-35.....	383
JAG 423-40.....	383
JAG 437-40.....	383
JAG 45-05.....	383
JAG 451-40.....	383
JAG 462-40.....	383
JAG 55-05.....	383
JAG 65-05.....	383
JAG 75-05.....	383
JAG 85-05.....	383
JAG 95-05.....	383
JAG 99-07.....	383
JN4XHSS-060403.....	19
JN4XHSS-060404.....	19
JN4XHSS-060604.....	19
JN4XHSS-080604.....	19
JN4XHSS-080606.....	19
JN4XHSS-080804.....	19
JN4XHSS-100804.....	19
JN4XHSS-101006.....	19
JN4XHSS-121005.....	19
JN4XHSS-121006.....	19
JN4XHSS-121008.....	19
JN4XHSS-121206.....	19
JN4XHSS-140806.....	19
JN4XHSS-141206.....	19
JN4XHSS-141208.....	19
JN4XHSS-161406.....	19
JN4XHSS-161408.....	19
JN4XHSS-161410.....	19
JN4XHSS-202010.....	19
JN4XSS-060403.....	21
JN4XSS-060404.....	21
JN4XSS-060604.....	21
JN4XSS-080604.....	21
JN4XSS-080606.....	21
JN4XSS-080804.....	21
JN4XSS-100804.....	21
JN4XSS-100806.....	21
JN4XSS-101006.....	21
JN4XSS-121005.....	21
JN4XSS-121008.....	21
JN4XSS-121206.....	21
JN4XSS-140806.....	21
JN4XSS-141206.....	21
JN4XSS-141208.....	21
JN4XSS-161406.....	21
JN4XSS-161408.....	21
JN4XSS-161410.....	21
JN4XSS-202010.....	21
JP 020401.....	242
JP 030302.....	242
JP 030303.....	242
JP 040403.....	242
JP 040404.....	242
JP 040603.....	242
JP 040604.....	242
JP 040804.....	242
JP 041204.....	242
JP 060603.....	242
JP 060604.....	242
JP 060606.....	242
JP 060804.....	242
JP 060806.....	242

# INDEX

CAT#	PAGE
JP 061004.....	242
JP 061204.....	242
JP 061206.....	242
JP 080804.....	242
JP 080806.....	242
JP 080808.....	242
JP 081004.....	242
JP 081006.....	242
JP 081008.....	242
JP 081204.....	242
JP 081206.....	242
JP 101204.....	242
JP 101206.....	242
JP 101208.....	242
JP 121204.....	242
JP 121206.....	242
JP 121208.....	242

## K

K 415 F.....	400
K 415 FG.....	400
K 415 M.....	400
K 415 MG.....	400

## M

M/F-15.....	396
M1657.....	159
M3534.....	159
M3547.....	159
M10289.....	47
M10290.....	47
M10291.....	47
M10294.....	47
M10294-1.....	47
M10295.....	47
M10296.....	47
M10298.....	47
M10925.....	47
M11616.....	47
M20803.....	48
M20804.....	48
M20805.....	48
M20806.....	48
M20807.....	48
M20808.....	48
M20809.....	48
M20810.....	48
M3338.....	47
M3542.....	47
M5474.....	47
M5542.....	47
M5543.....	47
MFL92.....	302
MFL93.....	302
MFL94.....	302
MFL95.....	302
MFL96.....	302

## N

N4X-DD-SS-604812.....	32
N4X-DD-SS-606012.....	32
N4X-DD-SS-726012.....	32
N4X-DD-SS-727212.....	32
N4X-FG-030302.....	57
N4X-FG-050302.....	57
N4X-FG-060404.....	57
N4X-FG-060404CHSCW.....	81
N4X-FG-060404CHTLW.....	81
N4X-FG-060404SCW.....	81
N4X-FG-060604CHQR.....	69
N4X-FG-060604CHSC.....	67

CAT#	PAGE
N4X-FG-060604CHSCW.....	81
N4X-FG-060604CHTL.....	71
N4X-FG-060604CHTLW.....	81
N4X-FG-060604SC.....	65
N4X-FG-060604SCW.....	81
N4X-FG-060608XD.....	83
N4X-FG-070603.....	59
N4X-FG-080302.....	57
N4X-FG-080404.....	57
N4X-FG-080604CHQR.....	69
N4X-FG-080604CHSC.....	67
N4X-FG-080604CHSCW.....	81
N4X-FG-080604CHTL.....	71
N4X-FG-080604CHTLW.....	81
N4X-FG-080604SC.....	65
N4X-FG-080604SCW.....	81
N4X-FG-080606RCHQR.....	73
N4X-FG-080608XD.....	83
N4X-FG-080804CHSCW.....	81
N4X-FG-080804CHTLW.....	81
N4X-FG-080804SCW.....	81
N4X-FG-080810XD.....	79
N4X-FG-090302.....	57
N4X-FG-090603.....	59
N4X-FG-100804CHQR.....	65
N4X-FG-100804CHSC.....	63
N4X-FG-100804CHSCW.....	77
N4X-FG-100804CHTL.....	67
N4X-FG-100804CHTLW.....	77
N4X-FG-100804SC.....	61
N4X-FG-100804SCW.....	77
N4X-FG-100805CHSCW*.....	77
N4X-FG-100805CHTLW*.....	77
N4X-FG-100805SCW*.....	77
N4X-FG-100806RCHQR.....	69
N4X-FG-100806RCHTL.....	71
N4X-FG-100808XD.....	79
N4X-FG-110404.....	57
N4X-FG-121005CHQR.....	65
N4X-FG-121005CHSC.....	63
N4X-FG-121005CHSCW.....	77
N4X-FG-121005CHTL.....	67
N4X-FG-121005CHTLW.....	77
N4X-FG-121005SC.....	61
N4X-FG-121005SCW.....	77
N4X-FG-121006RCHQR.....	69
N4X-FG-121006RCHTL.....	71
N4X-FG-121010XD.....	79
N4X-FG-121206CHSCW.....	77
N4X-FG-121206CHTLW.....	77
N4X-FG-121206SCW.....	77
N4X-FG-121212XD.....	79
N4X-FG-140302.....	57
N4X-FG-140707CHSCW.....	77
N4X-FG-140707CHTLW.....	77
N4X-FG-140707SCW.....	77
N4X-FG-141206CHQR.....	65
N4X-FG-141206CHSC.....	63
N4X-FG-141206CHSCW.....	77
N4X-FG-141206CHTL.....	67
N4X-FG-141206CHTLW.....	77
N4X-FG-141206SC.....	61
N4X-FG-141206SCW.....	77
N4X-FG-141207RCHQR.....	69
N4X-FG-141207RCHTL.....	71
N4X-FG-141212XD.....	79
N4X-FG-161406CHQR.....	65
N4X-FG-161406CHSC.....	63
N4X-FG-161406CHSCW.....	77
N4X-FG-161406CHTL.....	67
N4X-FG-161406CHTLW.....	77
N4X-FG-161406SCW.....	77
N4X-FG-161407RCHQR.....	69
N4X-FG-161407RCHTL.....	67
N4X-FG-161412XD.....	79
N4X-FG-170302.....	57

CAT#	PAGE
N4X-FG-181608CHQR.....	65
N4X-FG-181608CHSC.....	63
N4X-FG-181608CHSCW.....	77
N4X-FG-181608CHTL.....	67
N4X-FG-181608CHTLW.....	77
N4X-FG-181608SCW.....	77
N4X-FG-181610RCHQR.....	69
N4X-FG-181610RCHTL.....	71
N4X-FG-181617XD.....	79
N4X-FG-1PB.....	55
N4X-FG-201606CH.....	73
N4X-FG-201608CH.....	73
N4X-FG-201608CHQR.....	65
N4X-FG-201608CHSCW.....	77
N4X-FG-201608CHTL.....	67
N4X-FG-201608CHTLW.....	77
N4X-FG-201608SCW.....	77
N4X-FG-201610RCHQR.....	69
N4X-FG-201612CH.....	73
N4X-FG-201617XD.....	79
N4X-FG-242008CH.....	73
N4X-FG-242410CH.....	73
N4X-FG-2PB.....	55
N4X-FG-302410CH.....	73
N4X-FG-302412CH.....	73
N4X-FG-363010CH.....	73
N4X-FG-363012CH.....	73
N4X-FG-3PB.....	55
N4X-FG-4PB.....	55
N4X-FG-5PB.....	55
N4X-FG-6PB.....	55
N4X-FG-7PB.....	55
N4X-FG-483616CH.....	77
N4X-FMDD-3PL-544208.....	42
N4X-FMDD-3PL-624808.....	42
N4X-FMDD-3PL-624810.....	42
N4X-FMDD-3PL-624812.....	42
N4X-FMDD-3PL-624816.....	42
N4X-FMDD-3PL-624818.....	42
N4X-FMDD-3PL-624820.....	42
N4X-FMDD-3PL-624824.....	42
N4X-FMDD-3PL-626010.....	42
N4X-FMDD-3PL-626012.....	42
N4X-FMDD-3PL-626016.....	42
N4X-FMDD-3PL-626024.....	42
N4X-FMDD-3PL-746010.....	42
N4X-FMDD-3PL-746012.....	42
N4X-FMDD-3PL-746016.....	42
N4X-FMDD-3PL-746020.....	42
N4X-FMDD-3PL-746024.....	42
N4X-FMDD-3PL-747210.....	42
N4X-FMDD-3PL-747212.....	42
N4X-FMDD-3PL-747216.....	42
N4X-FMDD-3PL-747220.....	42
N4X-FMDD-3PL-747224.....	42
N4X-FSDA-3PL-722424.....	36
N4X-FSDA-3PL-722430.....	36
N4X-FSDA-3PL-722436.....	36
N4X-FSDA-3PL-723024.....	36
N4X-FSDA-3PL-723624.....	36
N4X-FSDA-3PL-723636.....	36
N4X-FSDA-3PL-903624.....	36
N4X-FSDA-3PL-903636.....	36
N4X-FSDD-3PL-604818.....	39
N4X-FSDD-3PL-724818.....	39
N4X-FSDD-3PL-724824.....	39
N4X-FSDD-3PL-726018.....	39
N4X-FSDD-3PL-726024.....	39
N4X-FSDD-3PL-726036.....	39
N4X-FSDD-3PL-727218.....	39
N4X-FSDD-3PL-727224.....	39
N4X-FSDD-3PL-904820.....	39
N4X-FSDD-3PL-907220.....	39
N4X-FSDD-3PL-907224.....	39
N4X-FSDD-3PL-907236.....	39
N4X-FSDDA-3PL-724824.....	39



CAT#	PAGE	CAT#	PAGE	CAT#	PAGE
N4X-FSDDDA-3PL-726024.....	39	N4X-WMDD-424212.....	31	N4XPB1-161-B1.....	311
N4X-FSDDDA-3PL-726036.....	39	N4X-WMDD-424812.....	31	N4XPB1-181-L1.....	311
N4X-FSDDDA-3PL-727224.....	39	N4X-WMDD-426012.....	31	N4XPB1-183-L1.....	311
N4X-FSDDDA-3PL-907224.....	39	N4X-WMDD-484812.....	31	N4XPB1-213-B1.....	311
N4X-FSSD-3PL-602418.....	34	N4X/N4X6-161206.....	24	N4XPB1-221-B1.....	311
N4X-FSSD-3PL-603624.....	34	N4X/N4X6-161208.....	24	N4XPB1-241-L1.....	311
N4X-FSSD-3PL-722418.....	34	N4X/N4X6-161606.....	24	N4XPB1-241-L2.....	311
N4X-FSSD-3PL-722424.....	34	N4X/N4X6-161608.....	24	N4XPB1-243-L1.....	311
N4X-FSSD-3PL-723018.....	34	N4X/N4X6-162006.....	24	N4XPB1-243-L2.....	311
N4X-FSSD-3PL-723024.....	34	N4X/N4X6-162008.....	24	N4XPB1-301-L2.....	311
N4X-FSSD-3PL-723618.....	34	N4X/N4X6-201606.....	24	N4XPB1-303-L2.....	311
N4X-FSSD-3PL-723624.....	34	N4X/N4X6-201608.....	24	N4XPB1-361-L2.....	311
N4X-FSSD-3PL-723630.....	34	N4X/N4X6-201610.....	25	N4XPB1-363-L2.....	311
N4X-FSSD-3PL-723636.....	34	N4X/N4X6-201612.....	24	N4XPB1-421-L2.....	311
N4X-FSSD-3PL-902420.....	34	N4X/N4X6-202006.....	24	N4XPB1-423-L2.....	311
N4X-FSSD-3PL-903620.....	34	N4X/N4X6-202008.....	24	N4XPB1-GL.....	313
N4X-FSSD-3PL-903624.....	34	N4X/N4X6-202010.....	25	N4XPB1-GL2.....	313
N4X-FSSD-3PL-903636.....	34	N4X/N4X6-202406.....	24	N4XPB1-GR.....	313
N4X-PFG-060604CHQR.....	75	N4X/N4X6-202408.....	24	N4XPB1-GR2.....	313
N4X-PFG-060604CHQR-CC.....	75	N4X/N4X6-241206.....	24	N4XPB1-H.....	313
N4X-PFG-060604CHSC.....	75	N4X/N4X6-241606.....	24	N4XPB1-H1.....	313
N4X-PFG-060604CHSC-CC.....	75	N4X/N4X6-241608.....	24	N4XPB1-H2.....	313
N4X-PFG-060604SC.....	75	N4X/N4X6-242006.....	24	N4XPB1-H3.....	313
N4X-PFG-080604CHQR.....	75	N4X/N4X6-242008.....	24	N4XPB2-123-L1.....	315
N4X-PFG-080604CHQR-CC.....	75	N4X/N4X6-242010.....	25	N4XPB2-153-B1.....	315
N4X-PFG-080604CHSC.....	75	N4X/N4X6-242012.....	25	N4XPB2-183-L1.....	315
N4X-PFG-080604CHSC-CC.....	75	N4X/N4X6-242016.....	25	N4XPB2-213-B1.....	315
N4X-PFG-080604SC.....	75	N4X/N4X6-242406.....	24	N4XPB2-243-L1.....	315
N4X-PFG-080804CHQR.....	75	N4X/N4X6-242408.....	24	N4XPB2-243-L2.....	315
N4X-PFG-080804CHQR-CC.....	75	N4X/N4X6-242410.....	25	N4XPB2-303-L2.....	315
N4X-PFG-080804CHSC.....	75	N4X/N4X6-242412.....	25	N4XPB2-363-L2.....	315
N4X-PFG-080804CHSC-CC.....	75	N4X/N4X6-242416.....	25	N4XPB2-423-L2.....	315
N4X-PFG-080804SC.....	75	N4X/N4X6-243008.....	24	N4XPBH1-121-L1.....	315
N4X-PFG-100806CHQR.....	75	N4X/N4X6-302006.....	24	N4XPBH1-123-L1.....	313
N4X-PFG-100806CHQR-CC.....	75	N4X/N4X6-302008.....	24	N4XPBH1-153-B1.....	313
N4X-PFG-100806CHSC.....	75	N4X/N4X6-302406.....	24	N4XPBH1-161-B1.....	313
N4X-PFG-100806CHSC-CC.....	75	N4X/N4X6-302408.....	24	N4XPBH1-181-L1.....	313
N4X-PFG-100806SC.....	75	N4X/N4X6-302410.....	25	N4XPBH1-183-L1.....	313
N4X-PFG-121006CHQR.....	75	N4X/N4X6-302412.....	25	N4XPBH1-213-B1.....	313
N4X-PFG-121006CHQR-CC.....	75	N4X/N4X6-302416.....	25	N4XPBH1-221-B1.....	313
N4X-PFG-121006CHSC.....	75	N4X/N4X6-302420.....	25	N4XPBH1-241-L1.....	313
N4X-PFG-121006CHSC-CC.....	75	N4X/N4X6-302424.....	25	N4XPBH1-241-L2.....	313
N4X-PFG-121006SC.....	75	N4X/N4X6-303008.....	24	N4XPBH1-243-L1.....	313
N4X-PFG-141206CHQR.....	75	N4X/N4X6-303012.....	25	N4XPBH1-243-L2.....	313
N4X-PFG-141206CHQR-CC.....	75	N4X/N4X6-362406.....	24	N4XPBH1-301-L2.....	313
N4X-PFG-141206CHSC.....	75	N4X/N4X6-362408.....	24	N4XPBH1-303-L2.....	313
N4X-PFG-141206CHSC-CC.....	75	N4X/N4X6-362410.....	25	N4XPBH1-361-L2.....	313
N4X-PFG-141206SC.....	75	N4X/N4X6-362412.....	25	N4XPBH1-363-L2.....	313
N4X-PFG-141208CHQR.....	75	N4X/N4X6-363006.....	24	N4XPBH1-421-L2.....	313
N4X-PFG-141208CHQR-CC.....	75	N4X/N4X6-363008.....	24	N4XPBH1-423-L2.....	313
N4X-PFG-141208CHSC.....	75	N4X/N4X6-363010.....	25	N4XPBH2-123-L1.....	313
N4X-PFG-141208CHSC-CC.....	75	N4X/N4X6-363012.....	25	N4XPBH2-153-B1.....	313
N4X-PFG-141208SC.....	75	N4X/N4X6-363016.....	25	N4XPBH2-183-L1.....	313
N4X-PFG-161408CHQR.....	75	N4X/N4X6-363020.....	25	N4XPBH2-213-B1.....	313
N4X-PFG-161408CHQR-CC.....	75	N4X/N4X6-363608.....	24	N4XPBH2-243-L1.....	313
N4X-PFG-161408CHSC.....	75	N4X/N4X6-363612.....	25	N4XPBH2-243-L2.....	313
N4X-PFG-161408CHSC-CC.....	75	N4X/N4X6-423008.....	24	N4XPBH2-303-L2.....	313
N4X-PFG-161408SC.....	75	N4X/N4X6-423010.....	25	N4XPBH2-363-L2.....	313
N4X-PFG-181610CHQR.....	75	N4X/N4X6-423012.....	25	N4XPBH2-423-L2.....	313
N4X-PFG-181610CHQR-CC.....	75	N4X/N4X6-423608.....	24	N4XP-H060604HLL.....	82
N4X-PFG-181610CHSC.....	75	N4X/N4X6-423610.....	25	N4XP-H080604HLL.....	82
N4X-PFG-181610CHSC-CC.....	75	N4X/N4X6-423612.....	25	N4XP-H080804HLL.....	82
N4X-PFG-181610SC.....	75	N4X/N4X6-423616.....	25	N4XP-H100802HLL.....	82
N4X-PFG-201610CHQR.....	75	N4X/N4X6-483608.....	25	N4XP-H100804HLL.....	82
N4X-PFG-201610CHQR-CC.....	75	N4X/N4X6-483610.....	25	N4XP-H100806HLL.....	82
N4X-PFG-201610CHSC.....	75	N4X/N4X6-483612.....	25	N4XP-H121004HLL.....	82
N4X-PFG-201610CHSC-CC.....	75	N4X/N4X6-483616.....	25	N4XP-H121006HLL.....	82
N4X-PFG-201610SC.....	75	N4X/N4X6-483620.....	25	N4XP-H141206HLL.....	82
N4X-WMDD-244208.....	31	N4X/N4X6-603610.....	24	N4XP-H161407HLL.....	82
N4X-WMDD-244808.....	31	N4X/N4X6-603612.....	25	N4XP-H181610HLL.....	82
N4X-WMDD-304210.....	31	N4X/N4X6-603616.....	25	N4XP-H060604HCLL.....	84
N4X-WMDD-304810.....	31	N4X/N4X6-603620.....	25	N4XP-H080604HCLL.....	84
N4X-WMDD-306010.....	31	N4XPB-HP.....	313	N4XP-H080804HCLL.....	84
N4X-WMDD-364212.....	31	N4XPB1-121-L1.....	311	N4XP-H100802HCLL.....	84
N4X-WMDD-364812.....	31	N4XPB1-123-L1.....	311	N4XP-H100804HCLL.....	84
N4X-WMDD-366012.....	31	N4XPB1-153-B1.....	311	N4XP-H100806HCLL.....	84

# INDEX

CAT#	PAGE
N4XP-H121004HCLL	84
N4XP-H121006HCLL	84
N4XP-H141206HCLL	84
N4XP-H161407HCLL	84
N4XP-H181610HCLL	84
N4XP-H060604S	81
N4XP-H080604S	81
N4XP-H080804S	81
N4XP-H100802S	81
N4XP-H100804S	81
N4XP-H100806S	81
N4XP-H121004S	81
N4XP-H121006S	81
N4XP-H141206S	81
N4XP-H161407S	81
N4XP-H181610S	81
N4XP-H060604SC	83
N4XP-H080604SC	83
N4XP-H080804SC	83
N4XP-H100802SC	83
N4XP-H100804SC	83
N4XP-H100806SC	83
N4XP-H121004SC	83
N4XP-H121006SC	83
N4XP-H141206SC	83
N4XP-H161407SC	83
N4XP-H181610SC	83

## O

OX10	300
OX12	300
OX14	300
OX2	300
OX3	300
OX4	300
OX5	300
OX8	300

## P

PCK-100	400
PE-10	305
PE-12	305
PE-14	305
PE-16	305
PE-2	305
PE-3	305
PE-4	305
PE-5	305
PE-6	305
PE-8	305
PEML-10	304
PEML-12	304
PEML-14	304
PEML-16	304
PEML-2	304
PEML-3	304
PEML-4	304
PEML-5	304
PEML-6	304
PEML-8	304
PM-10	304
PM-12	304
PM-14	304
PM-16	304
PM-2	304
PM-20	304
PM-3	304
PM-4	304
PM-5	304
PM-6	304
PM-8	30
PMG 415 A	392

CAT#	PAGE
PMG 415 ATF	394
PML 415 A	392
PML 415 ATF	394
PML 515 A	392
PML 515 ATF	394
Powerwash Series	43
Pumpstation/Liftstation Series	43

## Q

QKP-8	398
QKP-M/F-8	398
QKS-8	398
QKS-M/F-8	398
QPMG 415A	392
QPMG 415ATF	394
QPML 415A	392
QPML 415ATF	394
QPML 515A	392
QPML 515ATF	394
QSFG 415A	392
QSFG 415AT	394
QSFL 415A	392
QSFL 415ATF	394
QSFL 515A	392
QSFL 515ATF	394

## S

Sali Insulating Bushings	305
SFG 415 A	392
SFG 415 ATF	394
SFL 415 A	392
SFL 415 ATF	394
SFL 515 A	392
SFL 515 ATF	394
Switch Rack Assemblies	376

## T

TKP-8	398
TKP-M/F-15	398
TKP-M/F-8	398
TKS-8	398
TKS-M/F-15	398
TKS-M/F-8	398
TN4X6-122406	120
TN4X6-122408	120
TN4X6-161206	121
TN4X6-161208	121
TN4X6-161210	121
TN4X6-161606	122
TN4X6-161608	122
TN4X6-162008	123
TN4X6-201206	124
TN4X6-201208	124
TN4X6-201407	123
TN4X6-201606	124
TN4X6-201608	124
TN4X6-201610	124
TN4X6-201610U	154
TN4X6-202006	125
TN4X6-202008	125
TN4X6-202010	125
TN4X6-202406	126
TN4X6-202408	126
TN4X6-241206	127
TN4X6-241208	127
TN4X6-241210	127
TN4X6-241606	128
TN4X6-241608	128
TN4X6-242006	129
TN4X6-242008	129
TN4X6-242010	129

CAT#	PAGE
TN4X6-242406	130
TN4X6-242408	130
TN4X6-242410	130
TN4X6-243008	131
TN4X6-251807	132
TN4X6-301606	133
TN4X6-302006	134
TN4X6-302008	134
TN4X6-302010	134
TN4X6-302207	135
TN4X6-302406	136
TN4X6-302408	136
TN4X6-302410	136
TN4X6-303008	137
TN4X6-303608	138
TN4X6-362406	139
TN4X6-362408	139
TN4X6-362410	139
TN4X6-362507	140
TN4X6-363006	141
TN4X6-363008	141
TN4X6-363010	141
TN4X6-363608	142
TN4X6-392907	143
TN4X6-422408	144
TN4X6-423008	145
TN4X6-423010	145
TN4X6-423608	146
TN4X6-423610	146
TN4X6-482408	147
TN4X6-483008	148
TN4X6-483010	148
TN4X6-483608	149
TN4X6-483610	149
TN4X6-603608	150
TN4X6-603610	150
TPMG 415A	392
TPMG 415ATF	394
TPML 415A	392
TPML 415ATF	394
TPML 515A	392
TPML 515ATF	394
TSC4X-050503	98
TSC4X-060604	99
TSC4X-070704	100
TSC4X-080804	101
TSC4X-101006	102
TSC4X-101008	103
TSC4X-120605	105
TSC4X-120805	106
TSC4X-120806	107
TSC4X-121206	108
TSC4X-121208	109
TSC4X-151506	110
TSC4X-151508	111
TSC4X-161206	112
TSC4X-161208	113
TSC4X-161608	114, 115
TSC4X6-050503	98
TSC4X6-060604	99
TSC4X6-060604U	163
TSC4X6-070704	100
TSC4X6-080804	101
TSC4X6-101006	102
TSC4X6-101008	103
TSC4X6-120604	104
TSC4X6-120605	105
TSC4X6-120805	106
TSC4X6-120806	107
TSC4X6-121206	108
TSC4X6-121208	109
TSC4X6-151506	110
TSC4X6-151508	111
TSC4X6-161206	112
TSC4X6-161208	113
TSC4X6-161608	114, 115

CAT#	PAGE
TSC4X6-161608U.....	163
TSFG 415A.....	392
TSFG 415ATF.....	394
TSFL 415A.....	392
TSFL 415ATF.....	394
TSFL 515A.....	392
TSFL 515ATF.....	394
Type Bd Series Breather Drain.....	263
Type U close up plug.....	301

## V

V-1212.....	46, 157
V-1612.....	46, 157
V-1616.....	46, 157
V-2012.....	46, 157
V-2016.....	46, 157
V-2020.....	46, 157
V-2412.....	46, 157
V-2416.....	46, 157
V-2420.....	46, 157
V-2424.....	46, 157
V-3016.....	46, 157
V-3020.....	46, 157
V-3024.....	46, 157
V-3030.....	46, 157
V-3624.....	46, 157
V-3630.....	46, 157
V-3636.....	46, 157
V-4224.....	46, 157
V-4230.....	46, 157
V-4236.....	46, 157
V-4824.....	46, 157
V-4830.....	46, 157
V-4836.....	46, 157
V-6036.....	46, 157
V-SSWMB.....	47
VABP66.....	85
VABP86.....	85
VABP88.....	85
VABP108.....	85
VABP1210.....	85
VABP1412.....	85
VABP1614.....	85
VABP1816.....	85
VABP-66SP/SOPK.....	85
VABP-86SP/SOPK.....	85
VABP-88SP/SOPK.....	85
VABP-108SP/SOPK.....	85
VABP-1210SP/SOPK.....	85
VABP-1412SP/SOPK.....	85
VABP-1614SP/SOPK.....	85
VABP-1816SP/SOPK.....	85
VC4X.....	88
VC4X6-090605H.....	95
VC4X6-120806H.....	95
VC4X6-120806V.....	93
VC4X6-121206H.....	95
VC4X6-121206V.....	93
VC4X6-161206H.....	95
VC4X6-161206V.....	93
VC4X6-161208H.....	95
VC4X6-161208V.....	93
VC4X6-161606H.....	95
VC4X6-161606V.....	93
VC4X6-161608H.....	95
VC4X6-161608V.....	93
VC4X6-162006H.....	95
VC4X6-162006V.....	93
VC4X6-162008H.....	95
VC4X6-162008V.....	93
VC4X6-201606H.....	94
VC4X6-201606V.....	93
VC4X6-201608H.....	95
VC4X6-201608V.....	93

CAT#	PAGE
VC4X6-202006H.....	95
VC4X6-202006V.....	93
VC4X6-202008H.....	94
VC4X6-202008V.....	93
VC4X6-202408H.....	95
VC4X6-202408V.....	93
VC4X6-241606H.....	95
VC4X6-241606V.....	93
VC4X6-241608H.....	95
VC4X6-241608V.....	93
VC4X6-242006H.....	95
VC4X6-242006V.....	93
VC4X6-242008H.....	95
VC4X6-242008V.....	93
VC4X6-242406H.....	95
VC4X6-242406V.....	93
VC4X6-242408H.....	95
VC4X6-242408V.....	93
VC4X6-243008H.....	95
VC4X6-243008V.....	93
VC4X6-302008H.....	95
VC4X6-302008V.....	93
VC4X6-302408H.....	95
VC4X6-302408V.....	93
VC4X6-303008H.....	95
VC4X6-303008V.....	93
VH4X.....	88
VH4X6-262616.....	91, 93, 95
VH4X6-262620.....	91
VH4X6-303016.....	91
VH4X6-303020.....	91
VH4X6-382616.....	91
VH4X6-382620.....	91
VH4X6-453816.....	91
VH4X6-484820.....	91
VH4X6-503516.....	91
VH4X6-503520.....	91
VH4X6-624520.....	91
VH4X6-745520.....	91
VH4X6-765020.....	91

## W

WR.....	399
---------	-----

## X

X1.....	234
X1BP1-1GFCL.....	341
X1BP1-1GFEPD.....	341
X1PB-1.....	341
X1PB1-121-B1.....	347
X1PB1-121-L1.....	343
X1PB1-121-M1.....	345
X1PB1-121G-B1.....	347
X1PB1-121G-B1.....	347
X1PB1-121G-L1.....	343
X1PB1-121G-L1.....	353
X1PB1-121G-M1.....	345
X1PB1-121G-M1.....	345
X1PB1-123-B1.....	347
X1PB1-123-B1.....	347
X1PB1-123-L1.....	343
X1PB1-123-M1.....	345
X1PB1-123G-B1.....	347
X1PB1-123G-B1.....	347
X1PB1-123G-L1.....	343
X1PB1-123G-L1.....	343
X1PB1-123G-M1.....	345
X1PB1-123G-M1.....	345
X1PB1-181-B1.....	347
X1PB1-181-B1.....	347
X1PB1-181G-B1.....	347
X1PB1-181G-B1.....	347
X1PB1-183-B1.....	347

CAT#	PAGE
X1PB1-183-B1.....	347
X1PB1-183G-B1.....	347
X1PB1-183G-B1.....	347
X1PB1-2*.....	341
X1PB1-241-B1.....	347
X1PB1-241-B2.....	347
X1PB1-241-L1.....	343
X1PB1-241-L2.....	343
X1PB1-241-M1.....	345
X1PB1-241-M2.....	345
X1PB1-241G-B1.....	347
X1PB1-241G-B2.....	347
X1PB1-241G-L1.....	343
X1PB1-241G-L1.....	343
X1PB1-241G-L2.....	343
X1PB1-241G-L2.....	343
X1PB1-241G-M1.....	345
X1PB1-241G-M1.....	345
X1PB1-241G-M2.....	345
X1PB1-241G-M2.....	345
X1PB1-243-B1.....	347
X1PB1-243-B2.....	347
X1PB1-243-L1.....	343
X1PB1-243-L2.....	343
X1PB1-243-M1.....	345
X1PB1-243-M2.....	345
X1PB1-243G-B1.....	347
X1PB1-243G-B2.....	347
X1PB1-243G-L1.....	343
X1PB1-243G-L1.....	343
X1PB1-243G-L2.....	343
X1PB1-243G-L2.....	343
X1PB1-243G-M1.....	345
X1PB1-243G-M1.....	345
X1PB1-243G-M2.....	345
X1PB1-243G-M2.....	345
X1PB1-3*.....	341
X1PB1-301-L2.....	343
X1PB1-301G-L2.....	343
X1PB1-301G-L2.....	343
X1PB1-303-L2.....	343
X1PB1-303G-L2.....	343
X1PB1-361-L2.....	343
X1PB1-361-M2.....	345
X1PB1-361G-L2.....	343
X1PB1-361G-L2.....	343
X1PB1-361G-L2.....	343
X1PB1-361G-M2.....	345
X1PB1-361G-M2.....	345
X1PB1-363-L2.....	343
X1PB1-363-M2.....	345
X1PB1-363-M2.....	345
X1PB1-363G-L2.....	343
X1PB1-363G-L2.....	343
X1PB1-363G-M2.....	345
X1PB1-363G-M2.....	345
X1PB1-421-L2.....	343
X1PB1-421-M2.....	345
X1PB1-421G-L2.....	343
X1PB1-421G-L2.....	343
X1PB1-421G-M2.....	345
X1PB1-421G-M2.....	345
X1PB1-423-L2.....	345
X12PB1-423-M2.....	345
X1PB1-423-M2.....	345
X1PB1-H.....	337
X1PB1-H1.....	337
X1PB1-H2.....	337
X1PB1-H3.....	337
X1PB1-HGL1.....	337
X1PB1-HGL2.....	337
X1PB1-HGR1.....	337
X1PB1-HGR2.....	337
X1PB1 Series.....	337
X1PB2-1*.....	341
XPB2-123-B1.....	343
X1PB2-123-B1.....	342

# INDEX

CAT#	PAGE	CAT#	PAGE	CAT#	PAGE
X1PB2-123-L1	339	X2PB1-181G-B1	327	X2PB2-123-B1	327
X1PB2-123-M1	341	X2PB1-183-B1	327	X2PB2-123-B1	323
X1PB2-183-B1	343	X2PB1-183-B1	327	X2PB2-123-L1	319
X1PB2-183-B1	343	X2PB1-183G-B1	327	X2PB2-123-M1	323
X1PB2-2*	341	X2PB1-183G-B1	327	X2PB2-183-B1	327
X1PB2-243-B1	343	X2PB1-2*	327	X2PB2-183-B1	327
X1PB2-243-B2	343	X2PB1-241-B1	327	X2PB2-2*	317
X1PB2-243-L1	339	X2PB1-241-B2	327	X2PB2-243-B1	327
X1PB2-243-L2	339	X2PB1-241-L1	319	X2PB2-243-B2	327
X1PB2-243-M1	341	X2PB1-241-L2	319	X2PB2-243-L1	319
X1PB2-243-M2	339	X2PB1-241-M1	323	X2PB2-243-L2	319
X1PB2-3*	341	X2PB1-241-M2	323	X2PB2-243-M1	323
X1PB2-303-L2	339	X2PB1-241G-B1	327	X2PB2-243-M2	323
X1PB2-303G-L2	339	X2PB1-241G-B2	327	X2PB2-3*	317
X1PB2-363-L2	339	X2PB1-241G-L1	319	X2PB2-303-L2	319
X1PB2-363-M2	345	X2PB1-241G-L1	319	X2PB2-303G-L2	319
X1PB2-423-L2	339	X2PB1-241G-L2	319	X2PB2-363-L2	319
X1PB1-423-M2	345	X2PB1-241G-L2	319	X2PB2-363-M2	323
X1PB1-423-M2	345	X2PB1-241G-M1	323	X2PB2-423-L2	319
X1PB-2	337	X2PB1-241G-M1	323	X2PB2-423-M2	323
X1BP1-2GFCI	337	X2PB1-241G-M2	323	X2PB2 Series	317
X1PB-3	337	X2PB1-241G-M2	323	X2PB3-10	331
X1PB1-H	337	X2PB1-243-B1	327	X2PB3-1034-L2	331
X1PB1-H1	337	X2PB1-243-B2	327	X2PB3-1036-L2	331
X1PB1-H2	337	X2PB1-243-L1	319	X2PB3-1044-L2	331
X1PB1-H3	337	X2PB1-243-L2	319	X2PB3-1046-L2	331
X1PB1-HGL1	337	X2PB1-243-M1	323	X2PB3-4	331
X1PB1-HGL2	337	X2PB1-243-M2	323	X2PB3-434-L2	331
X1PB1-HGR1	337	X2PB1-243G-B1	327	X2PB3-436-L2	331
X1PB1-HGR2	337	X2PB1-243G-B2	327	X2PB3-444-L2	331
X1PB1 Series	337	X2PB1-243G-L1	319	X2PB3-446-L2	331
X1PB-MB	337	X2PB1-243G-L1	319	X2PB3-6	331
X1PB2-H	345	X2PB1-243G-L2	319	X2PB3-634-L2	331
X1PB-2-1	337	X2PB1-243G-L2	319	X2PB3-636-L2	331
X1PB-2-2	337	X2PB1-243G-M1	323	X2PB3-644-L2	331
X1PB-2-3	337	X2PB1-243G-M1	323	X2PB3-646-L2	331
X1PB2 Series	337	X2PB1-243G-M2	323	X2PB3-8	331
X1PB3-H	337	X2PB1-243G-M2	323	X2PB3-834-L2	331
X1PB3-4	345	X2PB1-3*	317	X2PB3-836-L2	331
X1PB3-43	337	X2PB1-301-L2	319	X2PB3-844-L2	331
X1PB3-6	345	X2PB1-301G-L2	319	X2PB3-846-L2	331
X1PB3-63	337	X2PB1-301G-L2	319	X2PB3 Series	317
X1PB3-8	345	X2PB1-303-L2	319	X3	234
X1PB3-10	345	X2PB1-303G-L2	319	X3CP-N4	237
X1PB3 Series	341	X2PB1-361-L2	319	X4	234
X12	234	X2PB1-361-M2	323	X4CP-N4	237
X15	234	X2PB1-361G-L2	319	X5	234
X18	234	X2PB1-361G-L2	319	X6	234
X2	234	X2PB1-361G-M2	323	X6CP-N4	237
X2CP-N4	237	X2PB1-361G-M2	323	X7	234
X2P3-H	317	X2PB1-363-L2	319	X8	234
X2PB-MB	317	X2PB1-363-M2	323	X8CP-N4	237
X2PB1-1*	313	X2PB1-363G-L2	319	X12CP-N4	237
X2PB1-121-B1	327	X2PB1-363G-L2	319	XAF-24	298
X2PB1-121-B1	327	X2PB1-363G-M2	323	XAF-6	298
X2PB1-121-L1	319	X2PB1-363G-M2	323	XAF-64	298
X2PB1-121-M1	323	X2PB1-421-L2	319	XB02-6K	355
X2PB1-121G-B1	323	X2PB1-421-L2	323	XB02-8K	355
X2PB1-121G-B1	327	X2PB1-421-M2	323	XB02-10K	355
X2PB1-121G-L1	319	X2PB1-421G-L2	319	XB052-6K	355
X2PB1-121G-L1	319	X2PB1-421G-L2	319	XB052-8K	355
X2PB1-121G-M1	323	X2PB1-421G-M2	323	XB052-10K	355
X2PB1-121G-M1	323	X2PB1-421G-M2	323	XB 1	241
X2PB1-123-B1	323	X2PB1-423-L2	323	XB 2	241
X2PB1-123-B1	327	X2PB1-423-M2	323	XB 3	241
X2PB1-123-L1	327	X2PB1-423-M2	323	XB 4	241
X2PB1-123-M1	319	X2PB1-H	317	XBB	257
X2PB1-123G-B1	323	X2PB1-H1	317	XBG	257
X2PB1-123G-B1	327	X2PB1-H2	317	XBP1-1GFCI*	317
X2PB1-123G-L1	319	X2PB1-H3	317	XBP1-1GFEPD*	317
X2PB1-123G-L1	319	X2PB1-H3	317	XBP1-2GFCI*	317
X2PB1-123G-M1	323	X2PB1-HGL1	317	XBPC	257
X2PB1-123G-M1	323	X2PB1-HGL2	317	XBR	257
X2PB1-181-B1	327	X2PB1-HGR1	317	XBSB	257
X2PB1-181-B1	327	X2PB1-HGR2	317	XBSG	257
X2PB1-181-B1	327	X2PB1 Series	317	XBSR	257
X2PB1-181G-B1	327	X2PB2-1*	317		





# INDEX

CAT#	PAGE	CAT#	PAGE	CAT#	PAGE
XCE/XJF-122005	212	XCIAS25	369	XGC 52	223
XCE/XJF-122406	212	XCIAS28	369	XGC 66	223
XCE/XJF-122408	212	XCIAS32	369	XGC 80	223
XCE/XJF-122410	212	XCIAS40	369	XGW 0303	223
XCE/XJF-123006	213	XCIAS50	369	XGW 0305	223
XCE/XJF-123606	213	XCIAS59	369	XGW 0307	223
XCE/XJF-123608	213	XCIBA110	368	XGW 0505	223
XCE/XJF-124608	213	XCIBA80	368	XGW 0509	223
XCE/XJF-141404	213	XCIBB	366	XGW 0707	223
XCE/XJF-141406	213	XCIBB110	364	XGW 0713	223
XCE/XJF-141408	213	XCIBB80	364	XGW 0909	223
XCE/XJF-142210	213	XCIBD	371	XGW 1111	223
XCE/XJF-142213	213	XCIBD80	371	XGW 1313	223
XCE/XJF-142806	213	XCIBS	371	XHDMC	250
XCE/XJF-161606	213	XCIBS65	371	XHDMCS	250
XCE/XJF-161608	213	XCIBS80	371	XHDPB	250
XCE/XJF-162406	213	XCIBS95	371	XHDPBS	250
XCE/XJF-162408	213	XCMRSG-N4	352, 361	XHDPL	257
XCE/XJF-162410	213	XCMRSG-N4-2015	363	XHFA 31-N4	240
XCE/XJF-162806	213	XCMRSG-N4-2020	363	XHFA 32-N4	240
XCE/XJF-163406	213	XCMRSG-N4-2130	363	XHFA 33-N4	240
XCE/XJF-164610	213	XCMRSG-N4-2150	363	XHKSC*	252
XCE/XJF-181804	213	XCMRSG-N4-4015	363	XHKSL	252
XCE/XJF-181806	213	XCMRSG-N4-4020	363	XHKSL2	252
XCE/XJF-181808	213	XCMRSG-N4-4130	363	XHKSR	252
XCE/XJF-182406	213	XCMRSG-N4-6130	363	XHKSR2	252
XCE/XJF-182408	213	XCMRSG-N4-6015	363	XHKSS	252
XCE/XJF-182410	213	XCMRSG-N4-6020	363	XHKSSC*	252
XCE/XJF-183008	213	XCMRSG-N4-M6003	363	XHKSSL2	252
XCE/XJF-183608	213	XCMRSG-N4-M6007	363	XHKSSR	252
XCE/XJF-183610	213	XCMRSG-N4-M6015	363	XHKSSR2	252
XCE/XJF-204806	213	XCMRSG-N4-M6130	363	XHKSSS	252
XCE/XJF-242408	213	XCMRSK-N4	367	XHPB	248
XCE/XJF-242410	213	XCMRSK-N4-22100	363	XHPBM	248
XCE/XJF-243008	213	XCMRSK-N4-2270	363	XHPBMS	248
XCE/XJF-243608	213	XCMRSK-N4-4270	363	XHPBPL	248
XCE/XJF-243610	213	XCMRSK-N4-6250	363	XHPBS	248
XCE/XJF-323612	213	XCMRSK-N4-M6250	363	XHPBSPL	248
XCEQ	224	XCMRSP-N4	367	XHPL	257
XCESX101408	224	XCMRSP-N4-23100	363	XHPLG	257
XCESX121208	224	XCMRSP-N4-23125	363	XHPPM	244
XCESX122408	224	XCMRSP-N4-43100	363	XHPPMS	244
XCESX242410	224	XCMRSP-N4-43125	363	XHSC	251
XCESX243610	224	XCMRSP-N4-63100	363	XHSL	251
XCEX	205	XCMRSP-N4-M63100	363	XHSPL	257
XCIAA	355	XCMRSP-N4-M64150	363	XHSR	251
XCIAA11	368	XCPX	228	XHSS	251
XCIAA17	368	XDB2	263	XHSSC	251
XCIAA28	368	XDBH2	263	XHSSL	251
XCIAA32	368	XDHDGX	199	XHSSPL	251
XCIAA41	368	XDHDGDX	199	XHSSR	251
XCIAA54	368	XDHFCX	199	XHSSR2	251
XCIAA65	368	XDHFGCX	199	XHSSS	251
XCIAA9	368	XDHDGX	203	XHSSSPL	251
XCIAAD	369	XDHDGDX	203	XHVX-121208	226
XCIAAD12	369	XDHIFCX	203	XHVX-161608	226
XCIAAD18	369	XDHIFGX	203	XHVX-162408	226
XCIAAD25	369	XDHLDCX	203	XHVX-162410	226
XCIAAD32	369	XDHLDCGX	203	XHVX-164610	226
XCIAAD40	369	XDHLECX	203	XHVX-181808	226
XCIAAD50	369	XDHLFCX	203	XHVX-182410	226
XCIAAD65	369	XDHLFGCX	203	XHVX-183008	226
XCIAAD9	369	XDHMDCX	191	XHVX-183608	226
XCIAAH	371	XDHMDGDX	191	XHVX-183610	226
XCIAAH10	369	XDHMFCX	191	XHVX-242408	226
XCIAAH12	369	XDHMFGCX	191	XHVX-242410	226
XCIAAH18	369	XDHMMCX	191	XHVX-243610	226
XCIAAH25	369	XDIAA17	370	XHVX-243008	226
XCIAAH32	369	XFA2	262	XHVX-243608	226
XCIAAH37	369	XFA2	262	XIF	232
XCIAH44	369	XFA3	262	XIF030303	232
XCIAH60	369	XFA4	262	XIF030603	232
XCIAH73	369	XGC 10	223	XIF030703	232
XCIAS	371	XGC 20	223	XIF030903	232
XCIAS12	369	XGC 30	223	XIF031103	232
XCIAS17	369	XGC 40	223	XIF031303	232



# INDEX

CAT#	PAGE	CAT#	PAGE	CAT#	PAGE
XLAL-GH.....	253	XMRSC-61.....	363	XPOS.....	254
XLAS-GH.....	254	XMRSC-N4.....	361	XPOSL.....	254
XLB-GCH.....	253	XMRSF.....	365	XPP.....	262
XLB-GH.....	253	XMRSF-62.....	363	XPP-N4.....	262
XLBL-GH.....	254	XMRSF-N4.....	361	XRBB.....	262
XLBS-GH.....	253	XMRSO-63.....	363	XRBL.....	262
XLC-GCH.....	253	XMRSO-64.....	363	XRS01-1K.....	355
XLC-GH.....	253	XMRSO-N4.....	361	XRS01-2K.....	355
XLCS-GH.....	253	XMSB.....	365	XRS01-3K.....	355
XLG-GCH.....	253	XMSB-60.....	363	XRS01-4K.....	355
XLG-GH.....	253	XMSB-61.....	363	XRS01-5K.....	355
XLGL-GH.....	254	XMSB-N4.....	361	XRS01-6K.....	355
XLGS-GH.....	253	XMSD.....	365	XRS01-7K.....	355
XLP.....	249	XMSD-62.....	363	XRS01-8K.....	355
XLPA.....	249	XMSD-N4.....	361	XRS01-9K.....	355
XLPAS.....	249	XMSH.....	365	XRS01-10K.....	355
XLPB.....	249	XMSH-63.....	363	XRS01-11K.....	355
XLPBS.....	249	XMSH-64.....	363	XRS01-12K.....	355
XLPC.....	249	XMSH-N4.....	365	XSC-16.....	302
XLPCS.....	249	XMSQ.....	365	XSC-160.....	302
XLPG.....	249	XMSQ-65.....	363	XSC-8.....	302
XLPGS.....	249	XMSQ-N4.....	361	XSG55A.....	395
XLPR.....	249	XMT.....	253	XSF155A.....	395
XLPRS.....	249	XNP.....	258	XSIAA.....	370
XLPW.....	249	XNPWB.....	258	XSIAA0.....	363
XLPWS.....	249	XNPWG.....	258	XSIAA11.....	364
XLR-GCH.....	253	XNPWR.....	258	XSIAA9.....	364
XLR-GH.....	253	XNPWL.....	258	XSIAD.....	367
XLRL-GH.....	254	XPB1-1.....	337	XSIAD12.....	365
XLRS-GH.....	253	XPB1-121 B1.....	336	XSIAD18.....	365
XLSA-GH.....	249	XPB1-121L1.....	336	XSIAD9.....	365
XLSAL-GH.....	250	XPB1-123 B1.....	336	XSIAH.....	367
XLSAS-GH.....	249	XPB1-123L1.....	336	XSIAH10.....	365
XLSB-GH.....	249	XPB1-1GFCL.....	337	XSIAH12.....	365
XLSBL-GH.....	250	XPB1-1GFEPD.....	337	XSIAH18.....	365
XLSBS-GH.....	249	XPB1-2.....	337	XSIAH25.....	365
XLSC-GH.....	249	XPB1-241 B1.....	336	XSIAS.....	367
XLSCS-GH.....	249	XPB1-241L1.....	336	XSIAS12.....	365
XLSG-GH.....	249	XPB1-241L2.....	336	XSIAS17.....	365
XLSSL-GH.....	250	XPB1-243 B1.....	336	XSIAS25.....	365
XLSGS-GH.....	249	XPB1-243L1.....	336	XSIAS9.....	365
XLSSR-GH.....	249	XPB1-243L2.....	336	XSIBA1.....	359
XLSSL-GH.....	250	XPB1-2GFCL.....	337	XSIBD.....	367
XLSSRS-GH.....	249	XPB1-2GFEPD.....	337	XSIBD25.....	365
XLSSW-GH.....	249	XPB1-3.....	337	XSIBD32.....	365
XLSSWL-GH.....	250	XPB1-301L2.....	336	XSICA.....	366
XLSSWS-GH.....	249	XPB1-303L2.....	336	XSICA2.....	359
XLT 240.....	249	XPB1-361L2.....	336	XSICA28.....	364
XLW-GCH.....	253	XPB1-363L2.....	336	XSICA32.....	364
XLW-GH.....	253	XPB1-GL.....	337	XSICA41.....	364
XLWL-GH.....	254	XPB1-GL2.....	337	XSICA54.....	364
XLWS-GH.....	253	XPB1-GR.....	337	XSICD.....	367
XLX.....	251	XPB1-GR2.....	337	XSICD40.....	365
XLXS.....	251	XPB1-H1.....	337	XSICD50.....	365
XMB.....	257	XPB1-H2.....	337	XSICH.....	367
XMC.....	253	XPB1-H3.....	337	XSICH32.....	365
XMOB-1.....	260	XPB1-N1.....	337	XSICH37.....	365
XMOB-2.....	260	XPB1-N2.....	337	XSICH44.....	365
XMOB-3.....	260	XPB2-1.....	339	XSICH60.....	365
XMOB-4.....	260	XPB2-123B1.....	338	XSICS28.....	365
XMOBS-1.....	260	XPB2-123L1.....	338	XSICS32.....	365
XMOBS-2.....	260	XPB2-2.....	339	XSICS40.....	365
XMOBS-3.....	260	XPB2-243B1.....	338	XSICS50.....	365
XMOBS-4.....	260	XPB2-243L1.....	338	XSIDA.....	366
XMOLA.....	261	XPB2-243L2.....	338	XSIDA3.....	359
XMOLG.....	261	XPB2-3.....	339	XSIDA65.....	364
XMOLR.....	261	XPB2-303L2.....	338	XSIDA80.....	364
XMOS-1.....	256	XPB2-363L2.....	338	XSIDD.....	367
XMOS-2.....	256	XPB2-H1.....	339	XSIDD65.....	365
XMOS-3.....	256	XPB3-43*.....	317	XSIDD80.....	365
XMOSS-1.....	256	XPB3-63*.....	317	XSIDH.....	365
XMOSS-2.....	256	XPML55A.....	395	XSIDH73.....	365
XMOSS-3.....	256	XPO.....	252	XSIDS.....	365
XMPP.....	261	XPOC.....	252	XSID565.....	365
XMRSC.....	365	XPOCS.....	252	XSID80.....	365
XMRSC-60.....	363	XPOL.....	252	XSID595.....	365



CAT#	PAGE
XSIEA .....	366
XSIEA110 .....	364
XSSL-4P .....	247
XSSL-5P .....	247
XSS-4P .....	247
XSS-5P .....	247
XTPB001BC1 .....	371
XTPB004BC1 .....	371
XTPB010BC1 .....	371
XTPB016BC1 .....	371
XTPB020BC1 .....	371
XTPB025BC1 .....	371
XTPB1P6BC1 .....	371
XTPB2P5BC1 .....	371
XTPB6P3BC1 .....	371
XTPBP16BC1 .....	371
XTPBP25BC1 .....	371
XTPBP40BC1 .....	371
XTPBP63BC1 .....	371
XU .....	299
XU2 .....	299
XU3 .....	299
XU4 .....	299
XUM .....	299
XUM2 .....	299
XUM3 .....	299
XUM4 .....	299
 <b>Z</b>	
Z-2033 .....	47
Z-2034 .....	47





**TAB**





# NEMA Type 4X JIC

## Continuous Hinge Clamped Cover Enclosures

### JN4XHSS Series Stainless Steel Enclosures

#### Standard Features

- Continuous Hinge (removable hinge pin)
- Wall mounting flange / foot
- Watertight urethane gasket
- Stainless steel clamps and screws
- Four #10-32 weld nuts for optional mounting panel (mounting panel sold separately)
- Grounding studs on inside of box and cover

#### Design Options

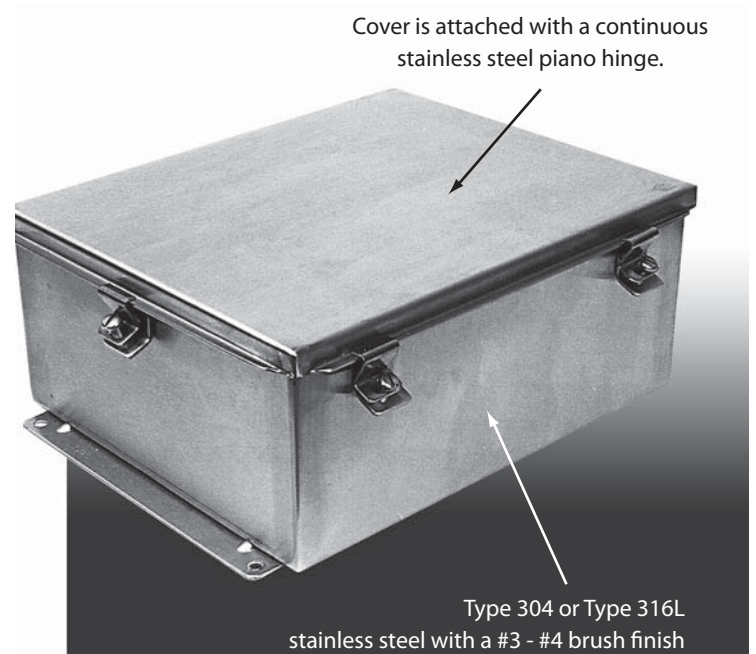
- Painted steel and stainless steel mounting panels
- Laser cut entries or cut-outs
- Terminal blocks or other component assembly
- Swing panel / dead front panel
- Padlock provisions
- Quick release latches
- Epoxy paint or powder coating
- Custom sizes
- 12 gauge material thickness

#### Material

- 14 and 16 gauge / Type 304 or 316L stainless steel
- Stainless steel hardware
- #3 / #4 brushed finish

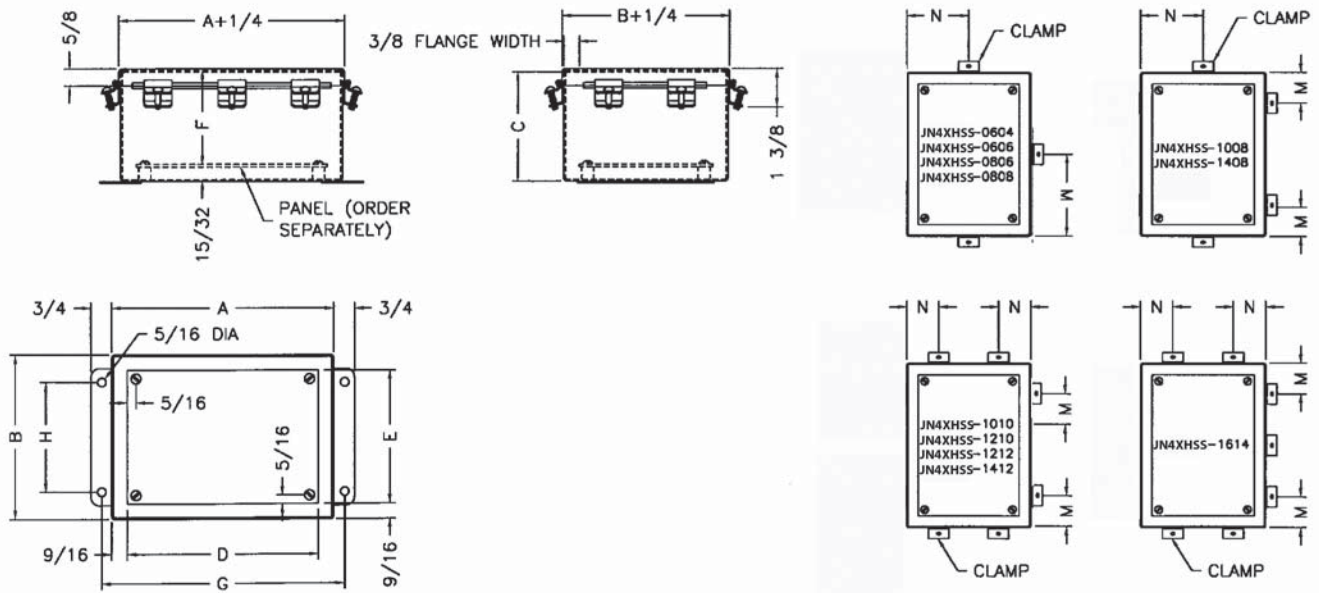
#### Certifications

- NEMA Type 3, 3R, 4, 4X, 12, and 13
- UL50
- cULus Listed



# NEMA Type 4X JIC

Stainless Steel



20/20 View

### STAINLESS STEEL 304 or 316L

ENCLOSURE	Gauge*	Box Dimensions			Panel Cat No. optional	Panel Dimensions			Mounting		Clamps	
		A	B	C		D	E	F	G	H	M	N
JN4XHSS-060403	16	6.00	4.00	3.00	06P04	4.88	2.88	2.55	6.75	2.00	3.00	2.00
JN4XHSS-080604	14	8.00	6.00	4.00	08P06	6.88	4.88	3.55	8.75	4.00	4.00	3.00
JN4XHSS-060404	16	6.00	4.00	4.00	06P04	4.88	2.88	3.55	6.75	2.00	3.00	2.00
JN4XHSS-060604	16	6.00	6.00	4.00	06P06	4.88	4.88	3.55	6.75	4.00	3.00	3.00
JN4XHSS-080804	14	8.00	8.00	4.00	08P08	6.88	6.88	3.55	8.75	6.00	4.00	4.00
JN4XHSS-100804	14	10.00	8.00	4.00	10P08	8.88	6.88	3.55	10.75	6.00	1.63	4.00
JN4XHSS-121005	14	12.00	10.00	5.00	12P10	10.88	8.88	4.55	12.75	8.00	3.63	2.63
JN4XHSS-080606	14	8.00	6.00	6.00	08P06	6.88	4.88	5.55	8.75	4.00	4.00	3.00
JN4XHSS-100806	14	10.00	8.00	6.00	10P08	8.88	6.88	5.55	10.75	6.00	1.63	4.00
JN4XHSS-101006	14	10.00	10.00	6.00	10P10	8.88	8.88	5.55	10.75	8.00	1.63	2.63
JN4XHSS-121006	14	12.00	10.00	6.00	12P10	10.88	8.88	5.55	12.75	8.00	3.63	2.63
JN4XHSS-121206	14	12.00	12.00	6.00	12P12	10.88	10.88	5.55	12.75	10.00	3.63	3.00
JN4XHSS-140806	14	14.00	8.00	6.00	14P08	12.88	6.88	5.55	14.75	6.00	3.63	4.00
JN4XHSS-141206	14	14.00	12.00	6.00	14P12	12.88	10.88	5.55	14.75	10.00	3.63	3.00
JN4XHSS-161406	14	16.00	14.00	6.00	16P14	14.88	12.88	5.55	16.75	12.00	1.63	4.13
JN4XHSS-121008	14	12.00	10.00	8.00	12P10	10.88	8.88	7.55	12.75	8.00	3.63	2.63
JN4XHSS-141208	14	14.00	12.00	8.00	14P12	12.88	10.88	7.55	14.75	10.00	3.63	4.13
JN4XHSS-161408	14	16.00	14.00	8.00	16P14	14.88	12.88	7.55	16.75	12.00	1.63	4.13
JN4XHSS-161410	14	16.00	14.00	10.00	16P14	14.88	12.88	9.55	16.75	12.00	1.63	4.13
JN4XHSS-202010	14	20.00	20.00	10.00	20P20	18.88	18.88	9.55	20.75	18.00	3.63	3.63

**NOTE** For Type 316L stainless steel enclosures, add 6 after SS. (i.e. JN4XHSS6)

\* All JN4XHSS6 316L boxes and covers are 14 gauge

# NEMA Type 4X JIC

## Lift-Off Clamp Cover Enclosures

### JN4XSS Series Stainless Steel Enclosures

#### Standard Features

- Stainless steel clamps and screws
- Wall mounting flange / foot
- Watertight urethane gasket
- Four #10-32 weld nuts for optional mounting panel (mounting panel sold separately)
- Grounding studs on inside of box and cover

#### Design Options

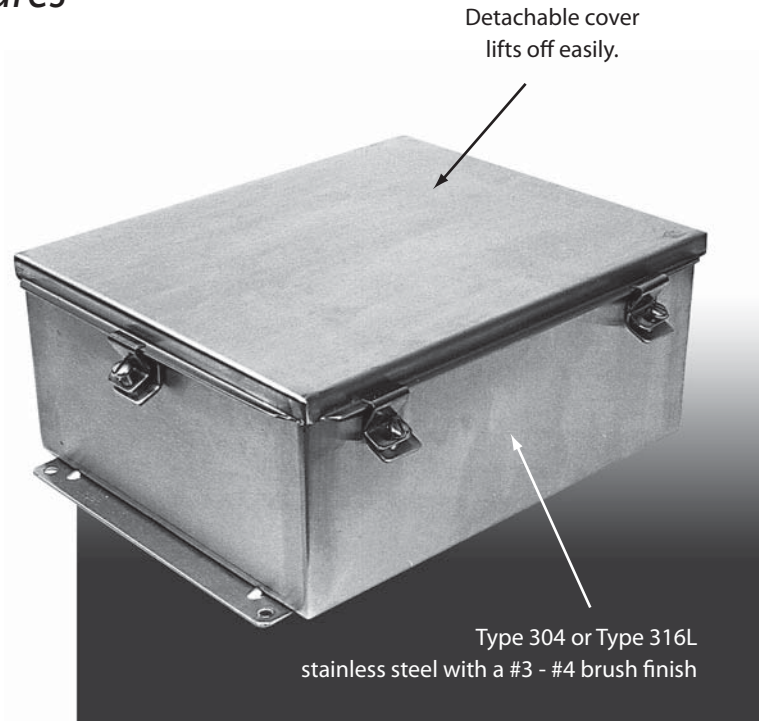
- Painted steel and stainless steel mounting panels
- Laser cut entries or cut-outs
- Terminal blocks or other component assembly
- Swing panel / dead front panel
- Quick release latches
- Epoxy paint or powder coating
- Custom Sizes
- 12 gauge material thickness

#### Material

- 14 and 16 gauge / Type 304 or 316L stainless steel
- Stainless steel hardware
- #3 / #4 brushed finish

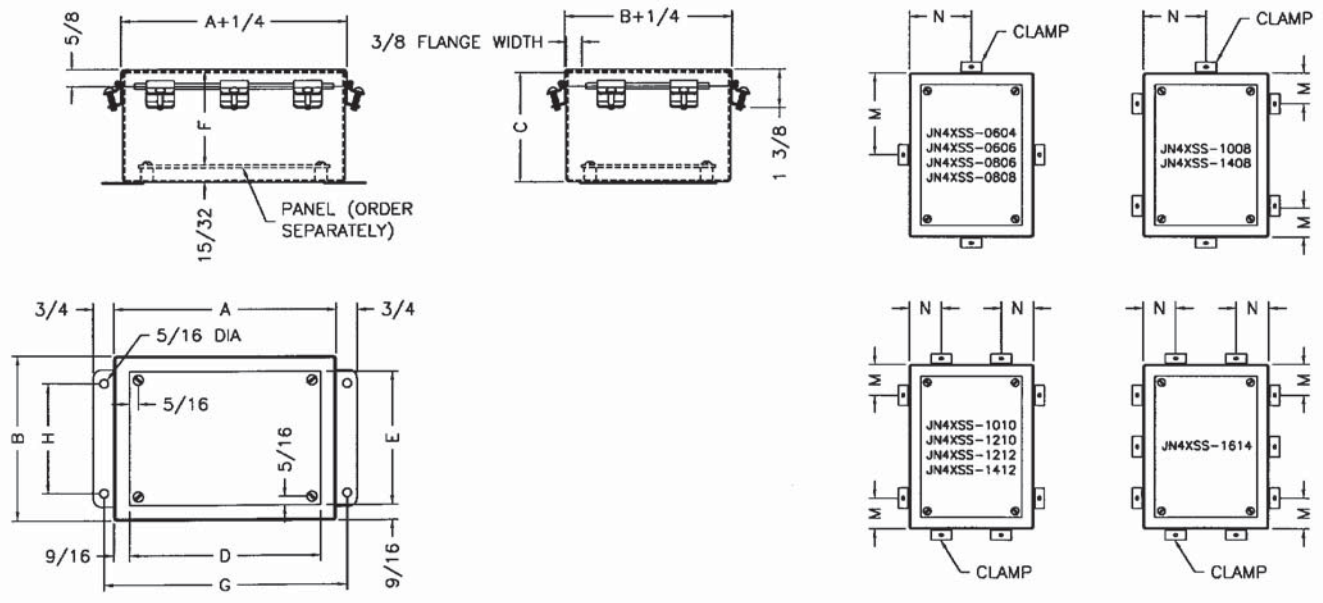
#### Certifications

- NEMA Type 3, 3R, 4, 4X, 12, and 13
- UL50
- cULus Listed



# NEMA Type 4X JIC

Stainless Steel



**STAINLESS STEEL 304 or 316L**

ENCLOSURE	Gauge*	Box Dimensions			Panel Cat No.	Panel Dimensions			Mounting		Clamps	
		A	B	C		D	E	F	G	H	M	N
JN4XSS-060403	16	6.00	4.00	3.00	06P04	4.88	2.88	2.55	6.75	2.00	3.00	2.00
JN4XSS-080604	14	8.00	6.00	4.00	08P06	6.88	4.88	3.55	8.75	4.00	4.00	3.00
JN4XSS-060404	16	6.00	4.00	4.00	06P04	4.88	2.88	3.55	6.75	2.00	3.00	2.00
JN4XSS-060604	16	6.00	6.00	4.00	06P06	4.88	4.88	3.55	6.75	4.00	3.00	3.00
JN4XSS-080804	14	8.00	8.00	4.00	08P08	6.88	6.88	3.55	8.75	6.00	4.00	4.00
JN4XSS-100804	14	10.00	8.00	4.00	10P08	8.88	6.88	3.55	10.75	6.00	1.63	4.00
JN4XSS-121005	14	12.00	10.00	5.00	12P10	10.88	8.88	4.55	12.75	8.00	3.63	2.63
JN4XSS-080606	14	8.00	6.00	6.00	08P06	6.88	4.88	5.55	8.75	4.00	4.00	3.00
JN4XSS-100806	14	10.00	8.00	6.00	10P08	8.88	6.88	5.55	10.75	6.00	1.63	4.00
JN4XSS-101006	14	10.00	10.00	6.00	10P10	8.88	8.88	5.55	10.75	8.00	1.63	2.63
JN4XSS-121206	14	12.00	12.00	6.00	12P12	10.88	10.88	5.55	12.75	10.00	3.63	3.00
JN4XSS-140806	14	14.00	8.00	6.00	14P08	12.88	6.88	5.55	14.75	6.00	3.63	4.00
JN4XSS-141206	14	14.00	12.00	6.00	14P12	12.88	10.88	5.55	14.75	10.00	3.63	3.00
JN4XSS-161406	14	16.00	14.00	6.00	16P14	14.88	12.88	5.55	16.75	12.00	1.63	4.13
JN4XSS-121008	14	12.00	10.00	8.00	12P10	10.88	8.88	7.55	12.75	8.00	3.63	2.63
JN4XSS-141208	14	14.00	12.00	8.00	14P12	12.88	10.88	7.55	14.75	10.00	3.63	4.13
JN4XSS-161408	14	16.00	14.00	8.00	16P14	14.88	12.88	7.55	16.75	12.00	1.63	4.13
JN4XSS-161410	14	16.00	14.00	10.00	16P14	14.88	12.88	9.55	16.75	12.00	1.63	4.13
JN4XSS-202010	14	20.00	20.00	10.00	20P20	18.88	18.88	9.55	20.75	18.00	3.63	3.63

**NOTE** For Type 316L stainless steel enclosures, add 6 after SS. (i.e. JN4XSS6)

\* All JN4XHSS6 316L boxes and covers are 14 gauge

# NEMA Type 4X

## Continuous Hinge Single Door Clamped Cover Enclosures

### *N4X Series Stainless Steel Enclosures*

#### Standard Features

- Continuous hinge (removable hinge pin)
- Wall mounting feet
- Watertight urethane gasket
- Stainless steel clamps and screws
- 3/8 - 16 x 1" collar studs (quantity varies) for optional mounting panels (mounting panels sold separately)
- Grounding studs on inside of box and cover
- Padlock provisions

#### Design Options

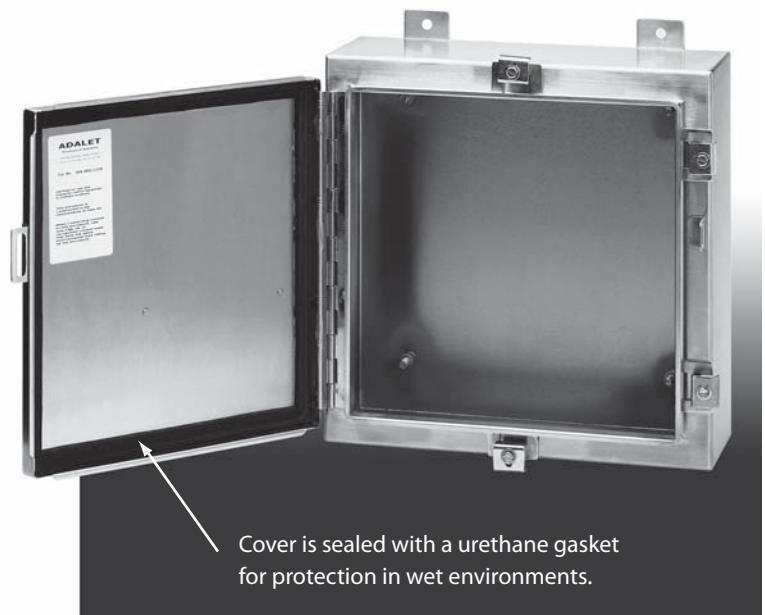
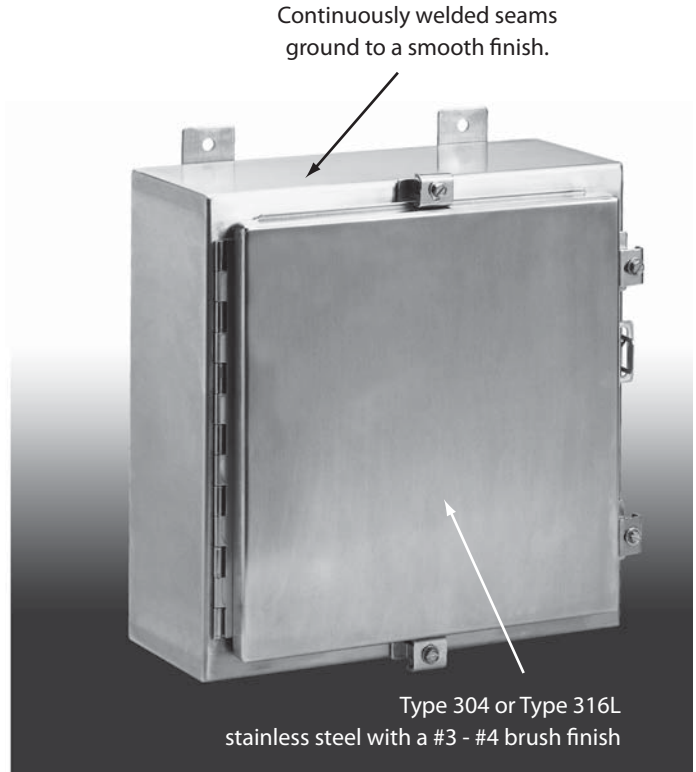
- Painted steel and stainless steel mounting panels
- Laser cut entries or cut-outs
- Terminal blocks or other component assembly
- Print pockets
- Swing panel / dead front panel
- Quick release latches
- Epoxy paint or powder coating
- Custom sizes
- 12 gauge material thickness
- Drip shields and sun shields
- Window kits

#### Material

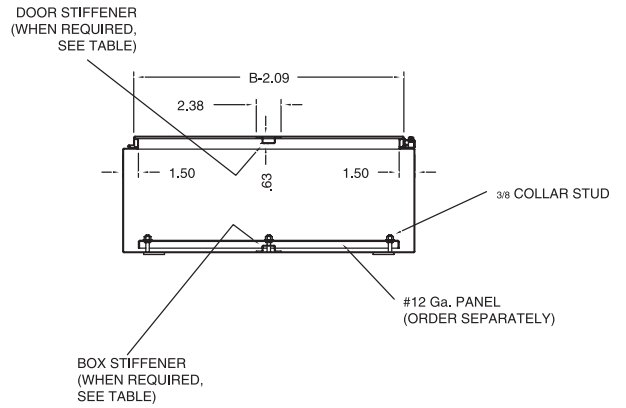
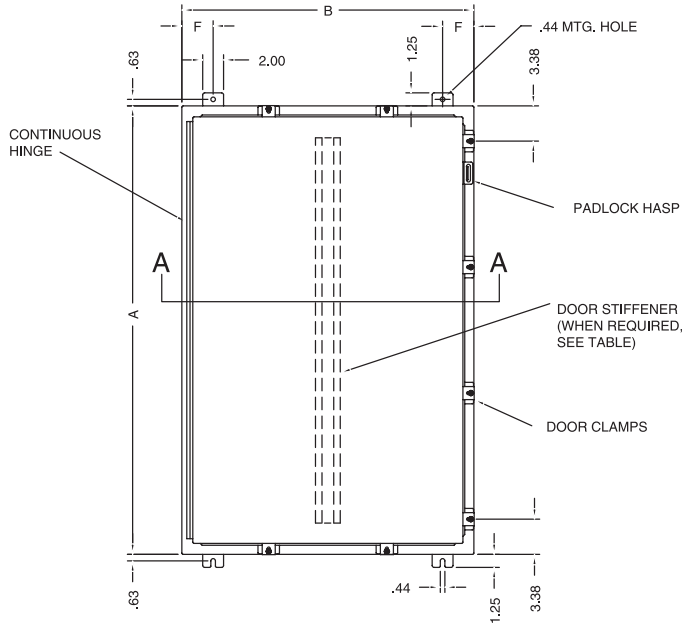
- 14 and 16 gauge / Type 304 or 316L stainless steel
- Stainless steel hardware
- #3 / #4 brushed finish

#### Certifications

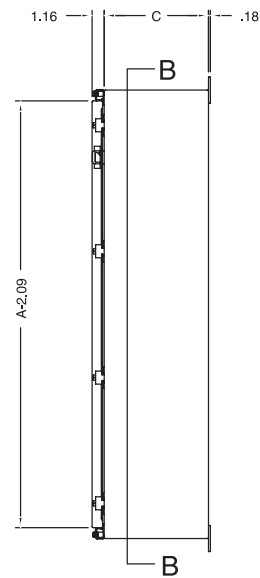
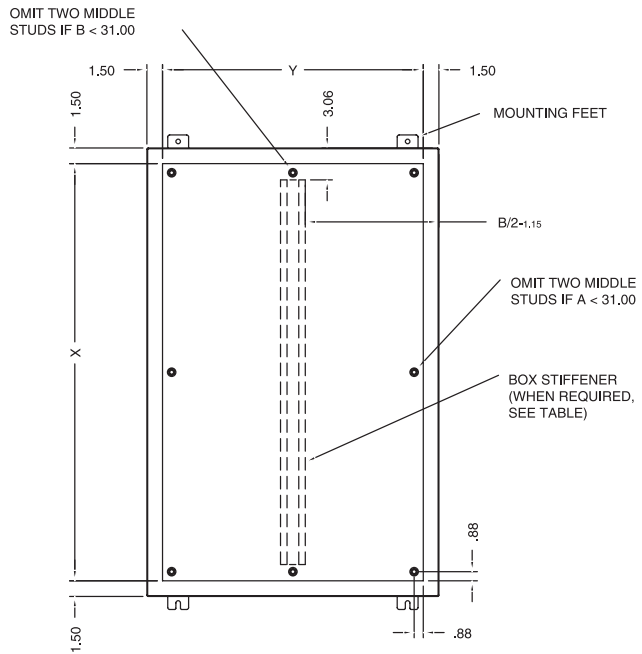
- NEMA Type 3, 3R, 4, 4X, and 12
- UL50
- cULus Listed



SECTION A-A



SECTION B-B



# NEMA Type 4X

Stainless Steel

## Single Door Enclosures

### STAINLESS STEEL 304 or 316L

N4X or N4X6	ENCLOSURE					MOUNTING PANEL						
	Gauge Thickness		Box Dimensions			Clamps		Stiffeners		Cat. #	Dimensions	
	Box	Door	A	B	C	#	F	Box	Door		X	Y
-161206	16	14	16.00	12.00	6.00	4	1.25	—	—	V1612	13.00	9.00
-161606	16	14	16.00	16.00	6.00	4	3.00	—	—	V1616	13.00	13.00
-162006	16	14	16.00	20.00	6.00	4	3.00	—	—	V2016	13.00	17.00
-201606	16	14	20.00	16.00	6.00	4	3.00	—	—	V2016	17.00	13.00
-202006	16	14	20.00	20.00	6.00	4	3.00	—	—	V2020	17.00	17.00
-202406	16	14	20.00	24.00	6.00	4	3.00	—	—	V2420	17.00	21.00
-241206	16	14	24.00	12.00	6.00	5	1.25	—	—	V2412	21.00	9.00
-241606	16	14	24.00	16.00	6.00	5	3.00	—	—	V2416	21.00	13.00
-242006	16	14	24.00	20.00	6.00	5	3.00	—	—	V2420	21.00	17.00
-242406	16	14	24.00	24.00	6.00	5	3.00	—	—	V2424	21.00	21.00
-302006	14	14	30.00	20.00	6.00	5	3.00	—	—	V3020	27.00	17.00
-302406	14	14	30.00	24.00	6.00	5	3.00	—	—	V3024	27.00	21.00
-362406	14	14	36.00	24.00	6.00	5	3.00	—	—	V3624	33.00	21.00
-363006	14	14	36.00	30.00	6.00	7	3.00	1	—	V3630	33.00	27.00
-161208	16	14	16.00	12.00	8.00	4	1.25	—	—	V1612	13.00	9.00
-161608	16	14	16.00	16.00	8.00	4	3.00	—	—	V1616	13.00	13.00
-162008	16	14	16.00	20.00	8.00	4	3.00	—	—	V2016	13.00	17.00
-201608	16	14	20.00	16.00	8.00	4	3.00	—	—	V2016	17.00	13.00
-202008	16	14	20.00	20.00	8.00	4	3.00	—	—	V2020	17.00	17.00
-202408	16	14	20.00	24.00	8.00	4	3.00	—	—	V2420	17.00	21.00
-241608	16	14	24.00	16.00	8.00	5	3.00	—	—	V2416	21.00	13.00
-242008	14	14	24.00	20.00	8.00	5	3.00	—	—	V2420	21.00	17.00
-242408	14	14	24.00	24.00	8.00	5	3.00	—	—	V2424	21.00	21.00
-243008	14	14	24.00	30.00	8.00	7	3.00	—	—	V3024	21.00	27.00
-302008	14	14	30.00	20.00	8.00	5	3.00	—	—	V3020	27.00	17.00
-302408	14	14	30.00	24.00	8.00	5	3.00	—	—	V3024	27.00	21.00
-303008	14	14	30.00	30.00	8.00	7	3.00	1	—	V3030	27.00	27.00
-362408	14	14	36.00	24.00	8.00	5	3.00	—	—	V3624	33.00	21.00
-363008	14	14	36.00	30.00	8.00	7	3.00	1	1	V3630	33.00	27.00
-363608	14	14	36.00	36.00	8.00	7	3.00	1	1	V3636	33.00	33.00
-423008	14	14	42.00	30.00	8.00	8	3.00	1	1	V4230	39.00	27.00
-423608	14	14	42.00	36.00	8.00	8	3.00	1	1	V4236	39.00	33.00
-603610	14	14	60.00	36.00	10.00	9	3.00	1	1	V6036	57.00	33.00
-201612	14	14	20.00	16.00	12.00	4	3.00	—	—	V2016	17.00	13.00



## Single Door Enclosures

### STAINLESS STEEL 304 or 316L

ENCLOSURE	ENCLOSURE					MOUNTING PANEL						
	Gauge Thickness		Box Dimensions			Clamps		Stiffeners		Cat. #	Dimensions	
	Box	Door	A	B	C	#	F	Box	Door		X	Y
<b>N4X or N4X6</b>												
-483608	14	14	48.00	36.00	8.00	8	3.00	1	1	V4836	45.00	33.00
-201610	14	14	20.00	16.00	10.00	4	3.00	—	—	V2016	17.00	13.00
-202010	14	14	20.00	20.00	10.00	4	3.00	—	—	V2020	17.00	17.00
-242010	14	14	24.00	20.00	10.00	5	3.00	—	—	V2420	21.00	17.00
-242410	14	14	24.00	24.00	10.00	5	3.00	—	—	V2424	21.00	21.00
-302410	14	14	30.00	24.00	10.00	5	3.00	—	—	V3024	27.00	21.00
-362410	14	14	36.00	24.00	10.00	5	3.00	—	—	V3624	33.00	21.00
-363010	14	14	36.00	30.00	10.00	7	3.00	1	—	V3630	33.00	27.00
-423010	14	14	42.00	30.00	10.00	8	3.00	1	1	V4230	39.00	27.00
-423610	14	14	42.00	36.00	10.00	8	3.00	1	1	V4236	39.00	33.00
-483610	14	14	48.00	36.00	10.00	8	3.00	1	1	V4836	45.00	33.00
-242012	14	14	24.00	20.00	12.00	5	3.00	—	—	V2420	21.00	17.00
-242412	14	14	24.00	24.00	12.00	5	3.00	—	—	V2424	21.00	21.00
-302412	14	14	30.00	24.00	12.00	5	3.00	—	—	V3024	27.00	21.00
-303012	14	14	30.00	30.00	12.00	7	3.00	1	—	V3030	27.00	27.00
-362412	14	14	36.00	24.00	12.00	5	3.00	—	—	V3624	33.00	21.00
-363012	14	14	36.00	30.00	12.00	7	3.00	1	1	V3630	33.00	27.00
-363612	14	14	36.00	36.00	12.00	7	3.00	1	1	V3636	33.00	33.00
-423012	14	14	42.00	30.00	12.00	8	3.00	1	1	V4230	39.00	27.00
-423612	14	14	42.00	36.00	12.00	8	3.00	1	1	V4236	39.00	33.00
-483612	14	14	48.00	36.00	12.00	8	3.00	1	1	V4836	45.00	33.00
-603612	14	14	60.00	36.00	12.00	9	3.00	1	1	V6036	57.00	33.00
-242016	14	14	24.00	20.00	16.00	5	3.00	—	—	V2420	21.00	17.00
-242416	14	14	24.00	24.00	16.00	5	3.00	—	—	V2424	21.00	21.00
-302416	14	14	30.00	24.00	16.00	5	3.00	—	—	V3024	27.00	21.00
-363016	14	14	36.00	30.00	16.00	7	3.00	1	—	V3630	33.00	27.00
-423616	14	14	42.00	36.00	16.00	8	3.00	1	1	V4236	39.00	33.00
-483616	14	14	48.00	36.00	16.00	8	3.00	1	1	V4836	45.00	33.00
-603616	14	14	60.00	36.00	16.00	9	3.00	1	1	V6036	57.00	33.00
-302420	14	14	30.00	24.00	20.00	5	3.00	—	—	V3024	27.00	21.00
-363020	14	14	36.00	30.00	20.00	7	3.00	1	—	V3630	33.00	27.00
-483620	14	14	48.00	36.00	20.00	8	3.00	1	1	V4836	45.00	33.00
-603620	14	14	60.00	36.00	20.00	9	3.00	1	1	V6036	57.00	33.00
-302424	14	14	30.00	24.00	24.00	5	3.00	—	—	V3024	27.00	23.00

All N4X6 boxes are 14 gauge.

# NEMA Type 4X

## Single Door Clamped Cover Enclosures for Flange Mounted Disconnects

### DN4X Series Stainless Steel Disconnect Enclosures

#### Standard Features

- Continuous hinge (removable hinge pin)
- Wall mounting feet
- Watertight urethane gasket
- Stainless steel clamps and screws
- 3/8" collar studs for optional mounting panel (mounting panels sold separately)
- Grounding studs on inside of box and cover
- Flange cut out for disconnect handle (handle not included)

#### Design Options

- Painted steel and stainless steel mounting panels
- Laser cut entries or cut-outs
- Terminal blocks or other component assembly
- Print Pockets
- Swing panel / dead front panel
- Padlock provisions
- Quick release latches
- Custom sizes
- 12 gauge material thickness
- Drip shields and sun shields
- Special Mounting Provisions

#### Material

- 14 and 16 Gauge / Type 304 or 316L stainless steel
- Stainless steel hardware
- #3 or #4 brushed finish

#### Certifications

- NEMA Type 3, 3R, 4, 4X, 12, and 13
- UL50
- cULus Listed



#### DESIGNED TO HOUSE THE FOLLOWING:

**Allen - Bradley** Bulletin 1494V disconnect switches with flange mounted variable depth operating mechanisms and Bulletin 1494V flange mounted variable depth operating mechanisms for circuit breakers.

**PLEASE NOTE:** Allen Bradley Bulletin 1494V-RI, -R2 and -W2 operating handles and

Allen Bradley Bulletin 1494F disconnect devices or Bulletin 1494D circuit break operators will not fit.

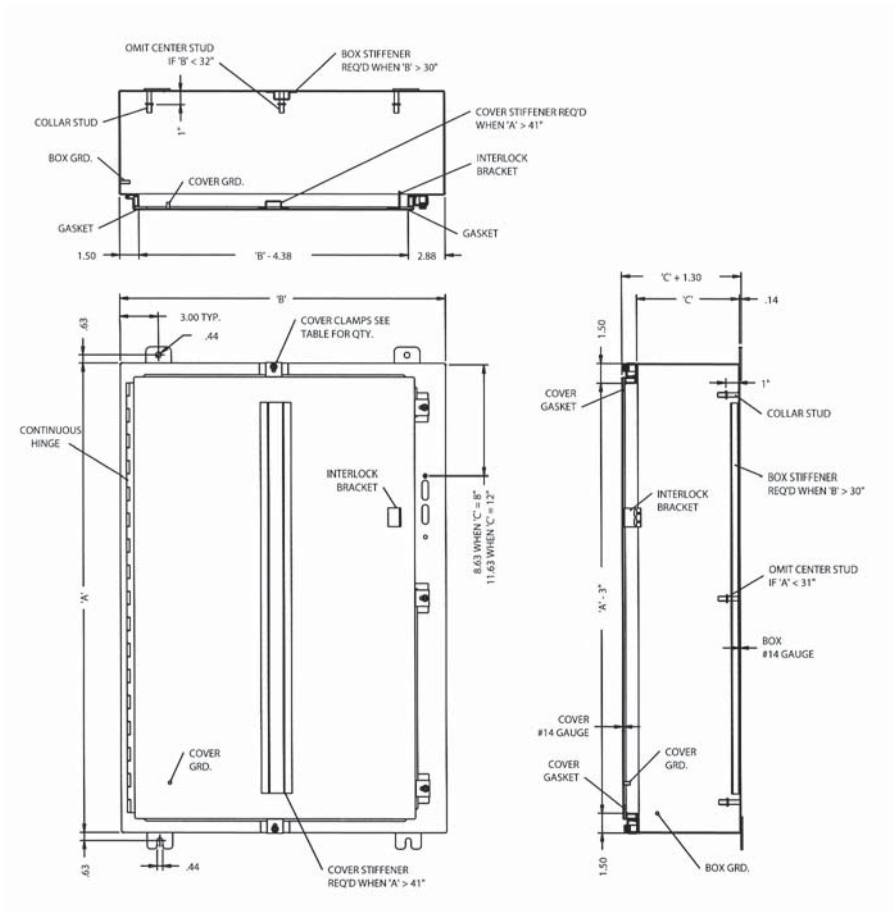
**ABB Controls** Flange mounted variable depth operating mechanisms for disconnect switches and circuit breakers

**Cutler Hammer/ Westinghouse** Type C361 flange mounted variable depth operating mechanisms with disconnect switches and Type C371 flange mounted variable depth operating mechanisms for circuit breakers. Flex Shaft™ operating handles for circuit breakers.

**General Electric** Type STDA flange handles and variable depth operating mechanisms for disconnect switches and circuit breakers. Also Spectra Flex™ cable operators for circuit breakers

**Siemens (I-T-E)** Max Flex™ flange mounted variable depth operating handles for circuit breakers.

**Square D** Class 9422 disconnect switches with flange mounted variable depth operating mechanisms or cable mechanisms and Class 9422 flange mounted variable depth operating mechanisms for circuit breakers.



**STAINLESS STEEL 304 or 316L**

ENCLOSURE				MOUNTING PANEL			
Cat #	Box Dimensions			Clamps	Cat #	Dimensions	
DN4X (304) or DN4X6 (316L)	A	B	C	#		Height	Width
-242108	24.00	21.38	8.00	5	V2420	21.00	17.00
-242508	24.00	25.38	8.00	5	V2424	21.00	21.00
-302508	30.00	25.38	8.00	5	V3024	27.00	21.00
-362508	36.00	25.38	8.00	5	V3624	33.00	21.00
-363108	36.00	31.38	8.00	7	V3630	33.00	27.00
-423112	42.00	31.38	12.00	10	V4230	39.00	27.00
-423712	42.00	37.38	12.00	10	V4236	39.00	33.00
-483712	48.00	37.38	12.00	10	V4836	45.00	33.00
-603712	60.00	37.38	12.00	11	V6036	57.00	33.00

# NEMA Type 4X

Stainless Steel

## Quarter Turn Victory Series Enclosures

### AVSS Series Stainless Steel Enclosures

#### Standard Features

- Hinged cover with removable stainless steel hinge pin
- Polyamide coated zinc slotted quarter turn latch
- Watertight urethane gasket
- 3/8" collar studs for optional mounting panel (mounting panels sold separately)
- Grounding studs on inside of box and cover
- Hinge Stiffener

#### Design Options

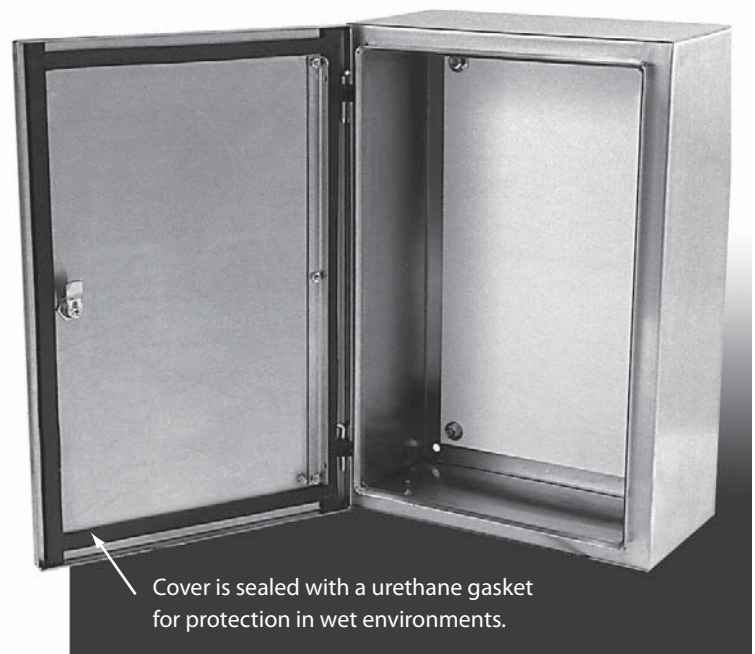
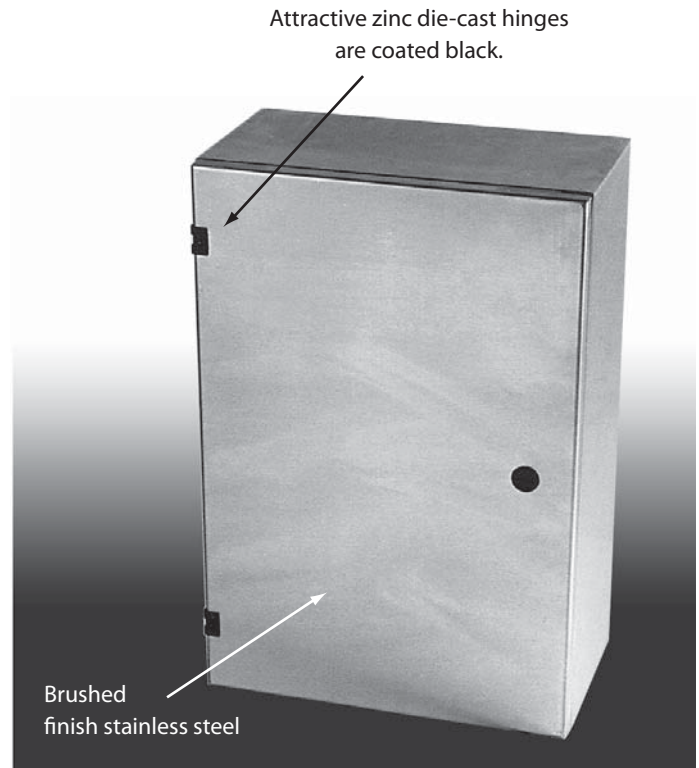
- Painted steel and stainless steel mounting panels
- Laser cut entries or cut-outs
- Terminal blocks or other component assembly
- Print pockets
- Swing panel / dead front panel
- Epoxy paint or powder coating
- Custom sizes
- 12 gauge material thickness
- Drip shields and sun shields
- Window kits
- Various quarter turn inserts

#### Material

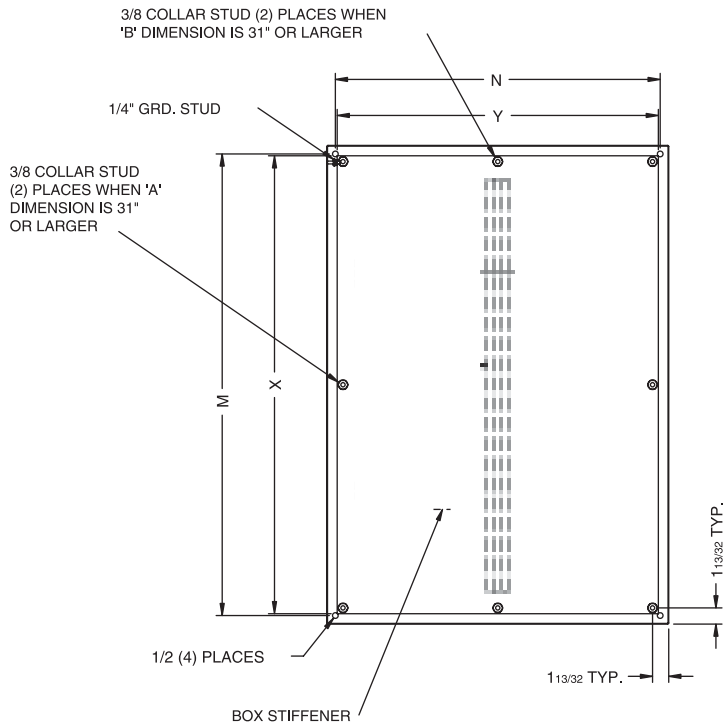
- 14 and 16 gauge / Type 304 or 316L stainless steel
- Stainless steel hardware
- #3 / #4 brushed finish

#### Certifications

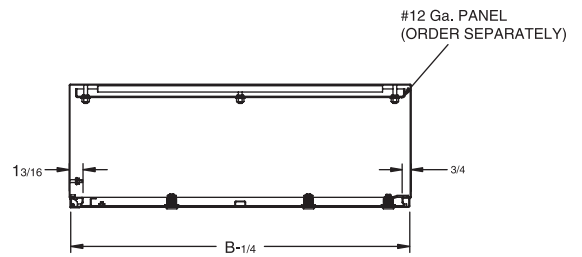
- NEMA Type 3, 3R, 4, 4X, 12, and 13
- UL50
- cULus Listed



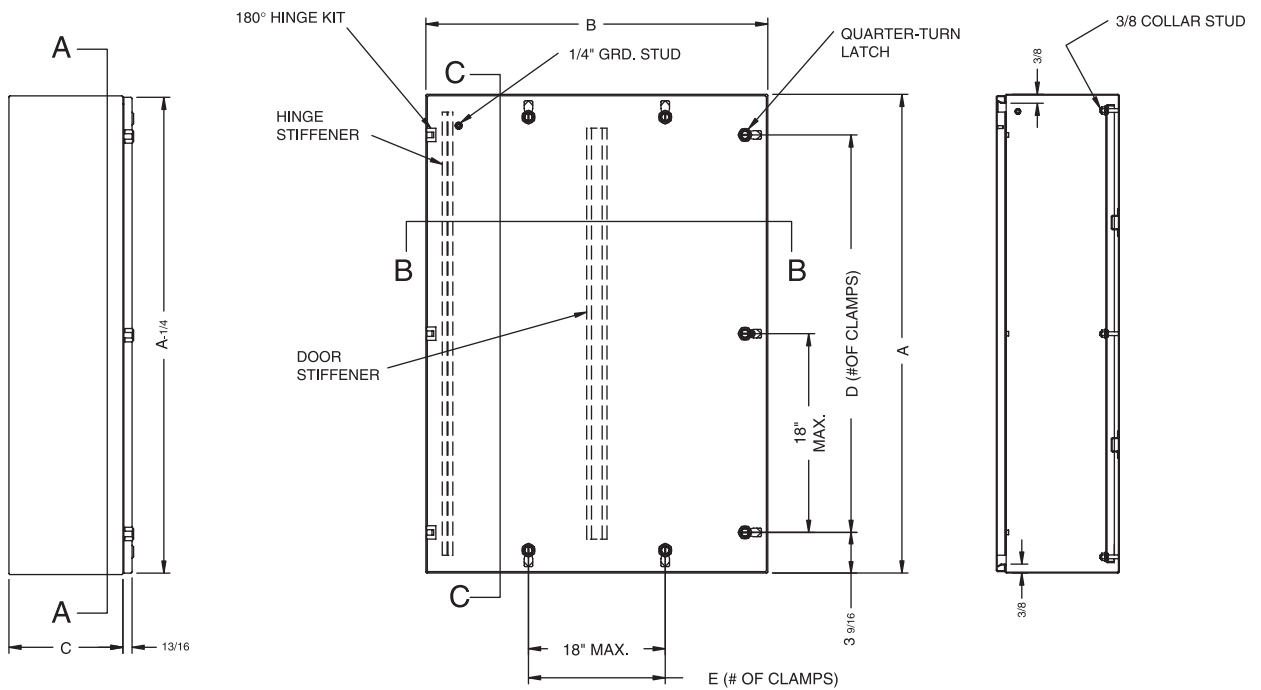
# NEMA Type 4X



SECTION A-A



SECTION B-B



SECTION C-C

# NEMA Type 4X

Stainless Steel

## Victory Series Enclosures

### STAINLESS STEEL 304 or 316L

AVSS or AVSS6	Gauge Thickness		Box Dimensions			Latches		Stiffeners		Mounting Ctrs.		Panel Cat #	Panel Dim.	
	Box	Door	A	B	C	D	E	Box	Door	M	N	Optional	X	Y
-121206	16	16	12.00	12.00	6.00	1	-	-	-	10.50	10.50	V1212	9	9
-161206	16	16	16.00	12.00	6.00	1	-	-	-	14.50	10.50	V1612	13	9
-161606	16	16	16.00	16.00	6.00	1	-	-	-	14.50	14.50	V1616	13	13
-201606	16	16	20.00	16.00	6.00	2	-	-	-	18.50	14.50	V2016	17	13
-202006	16	16	20.00	20.00	6.00	2	-	-	-	18.50	18.50	V2020	17	17
-241606	16	16	24.00	16.00	6.00	2	-	-	-	22.50	14.50	V2416	21	13
-242006	16	16	24.00	20.00	6.00	2	-	-	-	22.50	18.50	V2420	21	17
-242406	16	14	24.00	24.00	6.00	2	-	-	-	22.50	22.50	V2424	21	21
-161208	16	16	16.00	12.00	8.00	1	-	-	-	14.50	10.50	V1612	13	9
-161608	16	16	16.00	16.00	8.00	1	-	-	-	14.50	10.50	V1616	13	13
-162008	16	16	16.00	20.00	8.00	1	-	-	-	14.50	18.50	V1620	13	17
-201608	16	16	20.00	16.00	8.00	2	-	-	-	18.50	14.50	V2016	17	13
-202008	16	16	20.00	20.00	8.00	2	-	-	-	18.50	18.50	V2020	17	17
-202408	16	16	20.00	24.00	8.00	2	-	-	-	18.50	22.50	V2024	17	21
-241608	16	16	24.00	16.00	8.00	2	-	-	-	22.50	14.50	V2416	21	13
-242008	16	16	24.00	20.00	8.00	2	-	-	-	22.50	18.50	V2420	21	17
-242408	16	14	24.00	24.00	8.00	2	-	-	-	22.50	22.50	V2424	21	21
-243008	14	14	24.00	30.00	8.00	2	1	-	-	22.50	28.50	V2430	21	27
-302008	16	14	30.00	20.00	8.00	3	-	-	-	28.50	18.50	V3020	27	17
-302408	16	14	30.00	24.00	8.00	3	-	-	-	28.50	22.50	V3024	27	21
--303008	14	14	30.00	30.00	8.00	3	1	1	-	28.50	28.50	V3030	27	27
-362408	14	14	36.00	24.00	8.00	3	-	-	-	34.50	28.50	V3624	33	27
-363008	14	14	36.00	30.00	8.00	3	1	1	-	34.50	28.50	V3630	33	27
-363608	14	14	36.00	36.00	8.00	3	2	1	1	34.50	34.50	V3636	33	33
-202012	16	16	20.00	20.00	12.00	2	-	-	-	18.50	18.50	V2020	17	17
-242012	16	16	24.00	20.00	12.00	2	-	-	-	22.50	18.50	V2420	21	17
-242412	16	14	24.00	24.00	12.00	2	-	-	-	22.50	22.50	V2424	21	21
-302412	16	14	30.00	24.00	12.00	3	-	-	-	28.50	22.50	V3024	27	21
-303012	14	14	30.00	30.00	12.00	3	1	1	-	28.50	28.50	V3030	29	27
-362412	14	14	36.00	24.00	12.00	3	-	-	-	34.50	22.50	V3624	33	21
-363012	14	14	36.00	30.00	12.00	3	1	1	-	34.50	28.50	V3630	33	27
-363612	14	14	36.00	36.00	12.00	3	2	1	1	34.50	34.50	V3636	33	33
-423612	14	14	42.00	36.00	12.00	3	2	1	1	40.50	34.50	V4236	39	33
-483612	14	14	48.00	36.00	12.00	4	2	1	1	46.50	34.50	V4836	45	33
-603612	14	14	60.00	36.00	12.00	4	2	1	1	58.50	34.50	V6036	57	33
-242416	14	14	24.00	24.00	16.00	2	-	-	-	22.50	22.50	V2424	21	21
-363016	14	14	36.00	30.00	16.00	3	1	1	-	34.50	28.50	V3630	33	27
-483616	14	14	48.00	36.00	16.00	4	2	1	1	46.50	34.50	V4836	45	33
-242420	14	14	24.00	24.00	20.00	2	-	-	-	22.50	22.50	V2424	21	21
-302420	14	14	30.00	24.00	20.00	3	-	-	-	28.50	22.50	V3024	27	21
-363020	14	14	36.00	30.00	20.00	3	1	1	-	34.50	28.50	V3630	33	27

All AVSS6 316L boxes and covers are 14 gauge.

# Wall Mounted Double Door Series

## WMDD Stainless Steel Enclosures

### Standard Features

- Continuous hinge (removable hinge pin)
- Wall mounting feet
- Watertight urethane gasket
- Lockable 3 point latch handle
- Heavy duty Type 316 lifting bolts
- Removable center post for panel installation
- Print pocket
- 3/8" Collar studs for optional mounting panel (mounting panels sold separately)
- Grounding studs on inside of box and cover

### Design Options

- Painted steel and stainless steel mounting panels
- Laser cut entries or cut-outs
- Terminal blocks or other component assembly
- Print pockets
- Swing panel / dead front panel
- Louvers, fans and filters
- Epoxy paint or powder coating
- Custom sizes
- Drip shields and sun shields
- Window kits

### Material

- 12 and 14 gauge / Type 304 or 316L stainless steel
- Stainless steel hardware
- #3 / #4 brushed finish

### Certifications

- NEMA Type 3, 3R, 4, 4X, 12, and 13
- UL50
- cULus Listed



Padlockable 3-Point Latch  
for Security & Ease of Use



Door is 14 gauge Type 304  
or Type 316L stainless steel

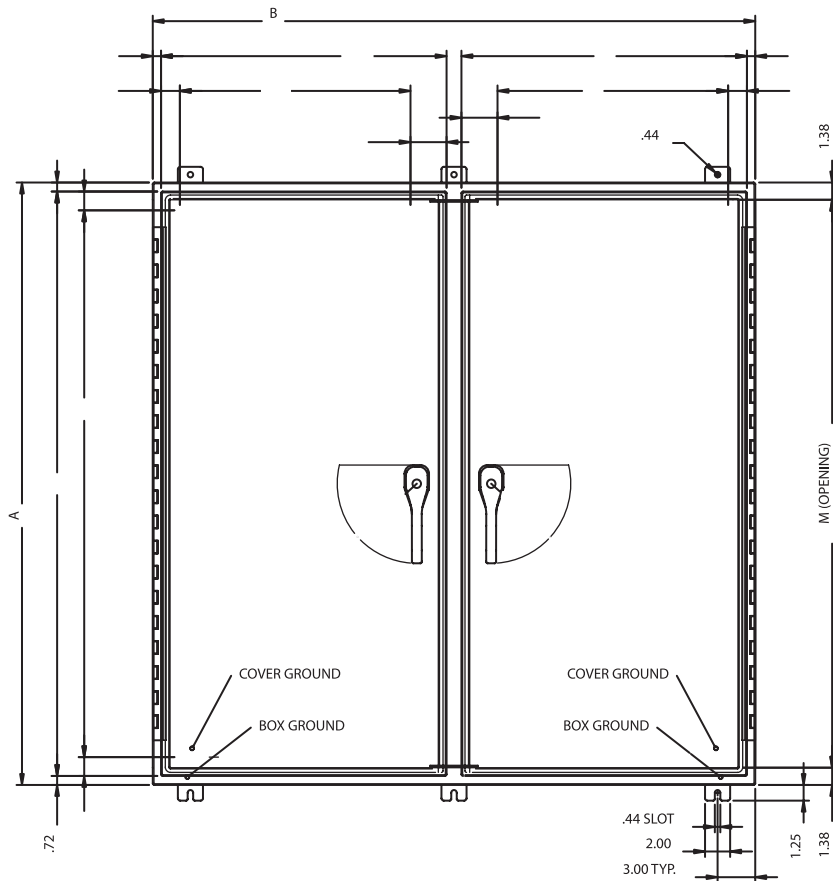
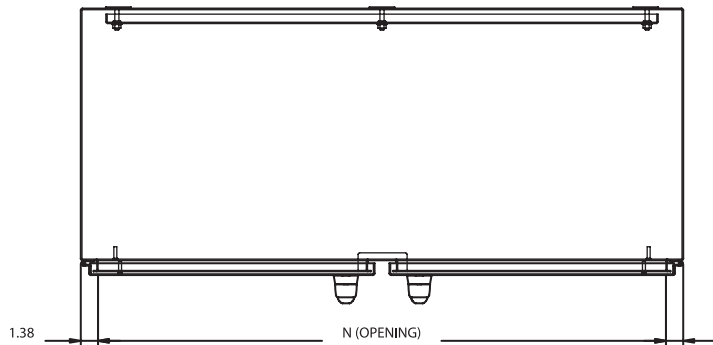


# NEMA Type 4X

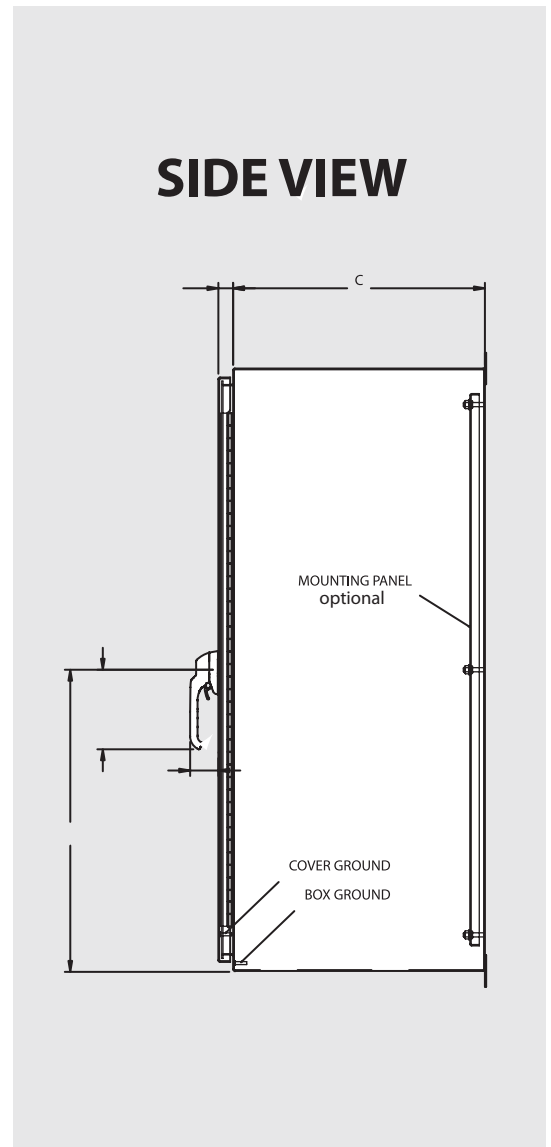
Stainless Steel

## Wall-Mount Double-Door Series

TOP VIEW



SIDE VIEW



# Wall-Mount Double-Door Enclosures

## N4X-WMDD

Catalog Number*	A	B	C	M	N
N4X-244208WMDD	24.00	42.00	8.00	21.25	39.25
N4X-244808WMDD	24.00	48.00	8.00	21.25	45.25
N4X-304210WMDD	30.00	42.00	10.00	27.25	39.25
N4X-304810WMDD	30.00	48.00	10.00	27.25	45.25
N4X-306010WMDD	30.00	60.00	10.00	27.25	57.25
N4X-364212WMDD	36.00	42.00	12.00	33.25	39.25
N4X-364812WMDD	36.00	48.00	12.00	33.25	45.25
N4X-366012WMDD	36.00	60.00	12.00	33.25	57.25
N4X-424212WMDD	42.00	42.00	12.00	39.25	39.25
N4X-424812WMDD	42.00	48.00	12.00	39.25	45.25
N4X-426012WMDD	42.00	60.00	12.00	39.25	57.25
N4X-484812WMDD	48.00	48.00	12.00	45.25	45.25

\*NOTE: for Type 316L Stainless Steel, substitute catalog prefix N4X with N4X6.

# NEMA Type 4X

## Free Standing Single Door Enclosures

### FSSD Series Stainless Steel Enclosures

#### Standard Features

- Single and dual access versions available
- Continuous hinge (removable hinge pin)
- Watertight urethane gasket
- Lockable 3 point latch handle
- Heavy duty Type 316 lifting bolts
- Mounting panel channels for depth adjustment
- Print pocket
- 3/8" Collar studs for optional mounting panel (mounting panels sold separately)
- Grounding studs on inside of box and cover

#### Design Options

- Painted steel and stainless steel mounting panels
- Laser cut entries or cut-outs
- Terminal blocks or other component assembly
- Swing panel / dead front panel
- Louvers, fans and filters
- Epoxy paint or powder coating
- Custom sizes
- Drip shields and sun shields
- Window kits

#### Material

- 12 and 14 gauge / Type 304 or 316L stainless steel
- Stainless steel hardware
- #3 / #4 brushed finish

#### Certifications

- NEMA Type 3, 3R, 4, 4X, 12, and 13
- UL50
- cULus Listed

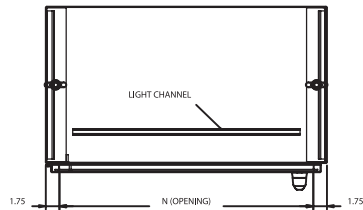


Padlockable 3-Point Latch  
for Security  
& Ease of Use

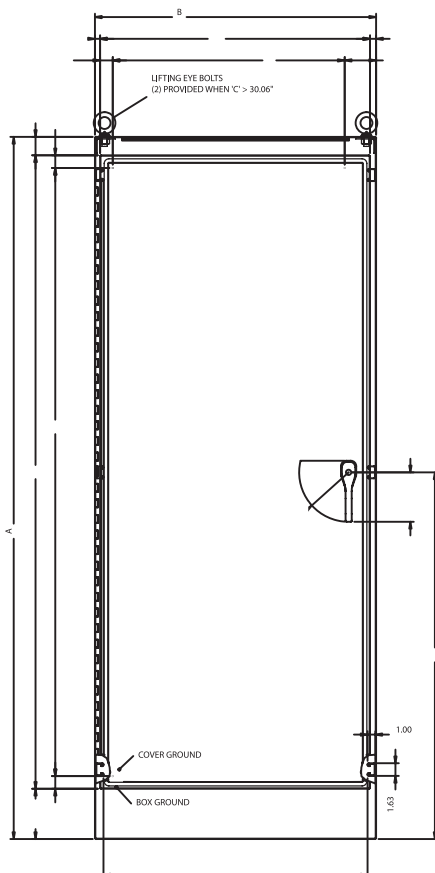
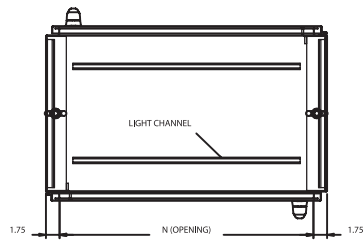


## Free-Standing Single-Door Enclosures

TOP VIEW

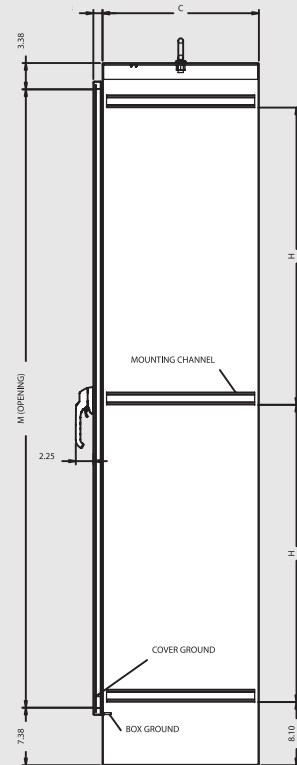


**N4X-FSDA-DUAL ACCESS**

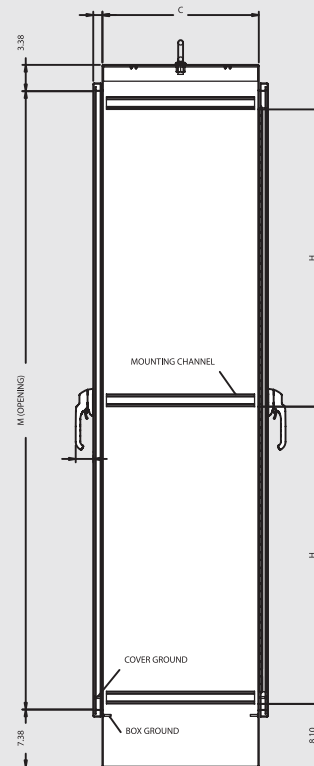


SIDE VIEW

**N4X-FSSD  
SINGLE ACCESS**



**N4X-FSDA  
DUAL ACCESS**



# Free-Standing Single-Door Enclosures

## N4X-FSSD-SINGLE ACCESS

Catalog Number*	A	B	C	F	G	H	J	M	N
N4X-602418FSSD	60.06	24.06	18.06	22.63	32.03	23.13	22.06	49.31	20.56
N4X-722418FSSD	72.06	24.06	18.06	22.63	38.03	29.13	22.06	61.31	20.56
N4X-723018FSSD	72.06	30.06	18.06	28.63	38.03	29.13	28.06	61.31	26.56
N4X-723618FSSD	72.06	36.06	18.06	34.63	38.03	29.13	34.06	61.31	32.56
N4X-902420FSSD	90.06	24.06	20.06	22.63	47.03	38.13	22.06	79.31	20.56
N4X-903620FSSD	90.06	36.06	20.06	34.63	47.03	38.13	34.06	79.31	32.56
N4X-603624FSSD	60.06	36.06	24.06	34.63	32.03	23.13	34.06	49.31	32.56
N4X-722424FSSD	72.06	24.06	24.06	22.63	38.03	29.13	22.06	61.31	20.56
N4X-723024FSSD	72.06	30.06	24.06	28.63	38.03	29.13	28.06	61.31	26.56
N4X-723624FSSD	72.06	36.06	24.06	34.63	38.03	29.13	34.06	61.31	32.56
N4X-903624FSSD	90.06	36.06	24.06	34.63	47.03	38.13	34.06	79.31	32.56
N4X-723630FSSD	72.06	36.06	30.06	34.63	38.03	29.13	34.06	61.31	32.56
N4X-723636FSSD	72.06	36.06	36.06	34.63	38.03	29.13	34.06	61.31	32.56
N4X-903636FSSD	90.06	36.06	36.06	34.63	47.03	38.13	34.06	79.31	32.56

\*NOTE: for Type 316L Stainless Steel, substitute catalog prefix N4X with N4X6.

## N4X-FSDA-DUAL ACCESS

Catalog Number*	A	B	C	F	G	H	J	M	N
N4X-722424FSDA	72.06	24.06	24.06	22.63	38.03	29.13	22.06	61.31	20.56
N4X-723024FSDA	72.06	30.06	24.06	28.63	38.03	29.13	28.06	61.31	26.56
N4X-723624FSDA	72.06	36.06	24.06	34.63	38.03	29.13	34.06	61.31	32.56
N4X-903624FSDA	90.06	36.06	24.06	34.63	47.03	38.13	34.06	79.31	32.56
N4X-722430FSDA	72.06	24.06	30.06	22.63	38.03	29.13	22.06	61.31	20.56
N4X-722436FSDA	72.06	24.06	36.06	22.63	38.03	29.13	22.06	61.31	20.56
N4X-723636FSDA	72.06	36.06	36.06	34.63	38.03	29.13	34.06	61.31	32.56
N4X-903636FSDA	90.06	36.06	36.06	34.63	47.03	38.13	34.06	79.31	32.56

\*NOTE: for Type 316L Stainless Steel, substitute catalog prefix N4X with N4X6.

# Free Standing Double Door Enclosures

## FSDD Series Stainless Steel Enclosures

### Standard Features

- Single and dual access versions available
- Continuous hinge (removable hinge pin)
- Watertight urethane gasket
- Lockable 3 point latch handle
- Heavy duty Type 316 lifting bolts
- Removable center post for panel installation
- Print pocket
- 3/8" Collar studs for optional mounting panel (mounting panels sold separately)
- Grounding studs on inside of box and cover

### Design Options

- Painted steel and stainless steel mounting panels
- Laser cut entries or cut-outs
- Terminal blocks or other component assembly
- Swing panel / dead front panel
- Louvers, fans and filters
- Epoxy paint or powder coating
- Custom sizes
- Drip shields and sun shields
- Window kits

### Material

- 12 and 14 gauge / Type 304 or 316L stainless steel
- Stainless steel hardware
- #3 / #4 brushed finish

### Certifications

- NEMA Type 3, 3R, 4, 4X, 12, and 13
- UL50
- cULus Listed





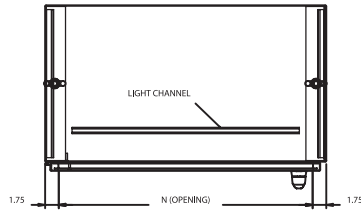
# NEMA Type 4X

Stainless Steel

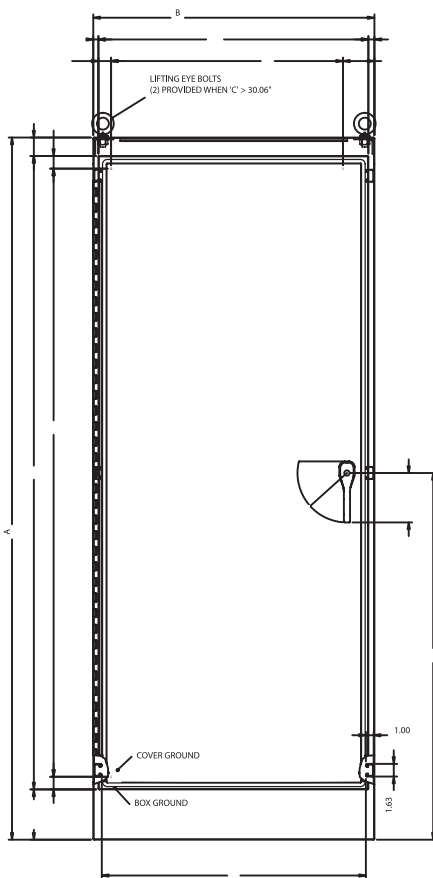
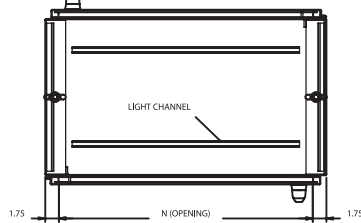
## Free-Standing Double-Door Enclosures

TOP VIEW

**N4X-FSDD-SINGLE ACCESS**

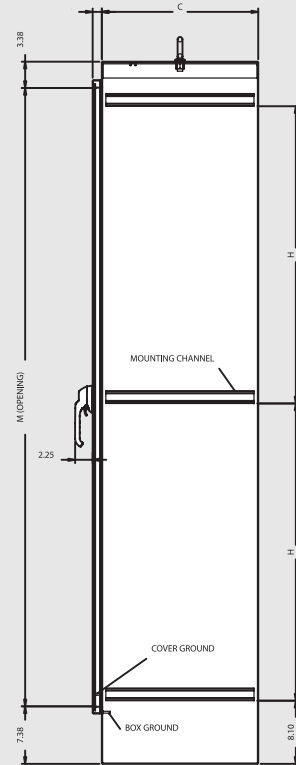


**N4X-FSDDDA-DUAL ACCESS**

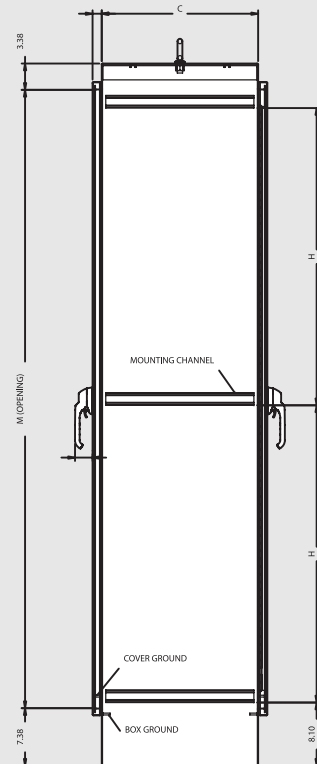


SIDE VIEW

**N4X-FSDD  
SINGLE ACCESS**



**N4X-FSDDDA  
DUAL ACCESS**



# Free-Standing Double-Door Enclosures

## N4X-FSDD-SINGLE ACCESS

Catalog Number*	A	B	C	H	J	K	L
N4X-604818FSDD	60.06	48.06	18.06	23.13	46.06	49.31	44.56
N4X-724818FSDD	72.06	48.06	18.06	29.13	46.06	61.31	44.56
N4X-726018FSDD	72.06	60.06	18.06	29.13	58.06	61.31	56.56
N4X-727218FSDD	72.06	72.00	18.06	29.13	70.06	61.31	68.56
N4X-904820FSDD	90.06	48.06	20.06	38.13	46.06	79.31	44.56
N4X-907220FSDD	90.06	72.06	20.06	38.13	70.06	79.31	68.56
N4X-724824FSDD	72.06	48.06	24.06	29.13	46.06	61.31	44.56
N4X-726024FSDD	72.06	60.06	24.06	29.13	58.06	61.31	56.56
N4X-727224FSDD	72.06	72.00	24.06	29.13	70.06	61.31	68.56
N4X-907224FSDD	90.06	72.00	24.06	38.13	70.06	79.31	68.56
N4X-726036FSDD	72.06	60.06	36.06	29.13	58.06	61.31	56.56
N4X-907236FSDD	90.06	72.00	36.06	38.13	70.06	79.31	68.56

\*NOTE: for Type 316L Stainless Steel, substitute catalog prefix N4X with N4X6.

## N4X-FSDDDA-DUAL ACCESS

Catalog Number*	A	B	C	H	J	L	M	N
N4X-724824FSDDDA	72.06	48.06	24.06	29.13	46.06	17.75	61.31	44.56
N4X-726024FSDDDA	72.06	60.06	24.06	29.13	58.06	23.75	61.31	56.56
N4X-727224FSDDDA	72.06	72.06	24.06	29.13	70.06	29.75	61.31	68.56
N4X-907224FSDDDA	90.06	72.06	24.06	38.13	70.06	29.75	79.31	68.56
N4X-726036FSDDDA	72.06	60.06	36.06	29.13	58.06	23.75	61.31	56.56

\*NOTE: for Type 316L Stainless Steel, substitute catalog prefix N4X with N4X6.

# NEMA Type 4X

## Floor Mount Double Door Enclosures

### FMDD Series Stainless Steel Enclosures

#### Standard Features

- Single and dual access versions available
- Continuous hinge (removable hinge pin)
- 12" floor stand kit (other heights available)
- Watertight urethane gasket
- Lockable 3 point latch handle
- Heavy duty Type 316 lifting bolts
- Removable center post for panel installation
- Print pocket
- Collar studs for optional mounting panel (mounting panels sold separately)
- Grounding studs on inside of box and cover

#### Design Options

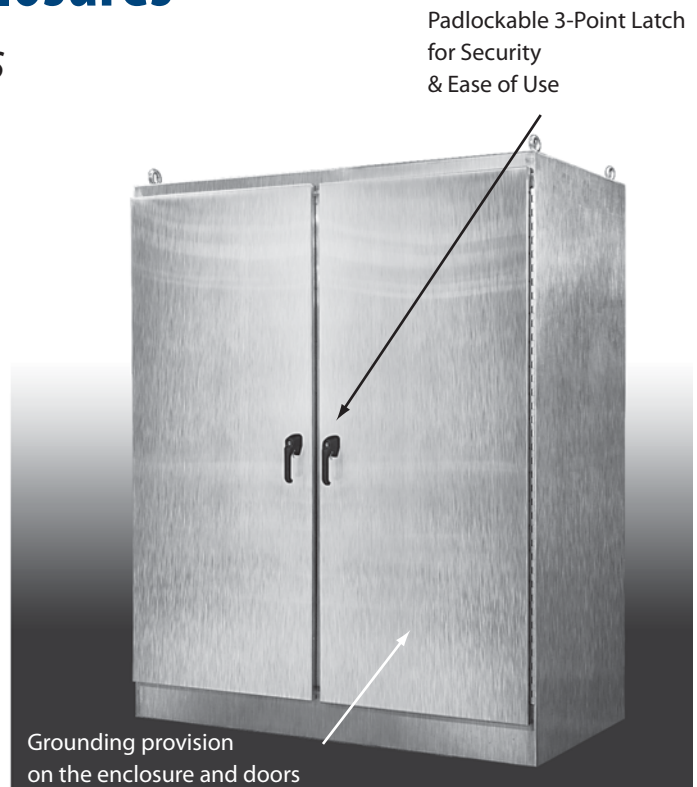
- Painted steel and stainless steel mounting panels
- Laser cut entries or cut-outs
- Terminal blocks or other component assembly
- Swing panel / dead front panel
- Louvers, fans and filters
- Epoxy paint or powder coating
- Custom sizes
- Drip shields and sun shields
- Window kits

#### Material

- 12 and 14 gauge / Type 304 or 316L stainless steel
- Stainless steel hardware
- #3 / #4 brushed finish

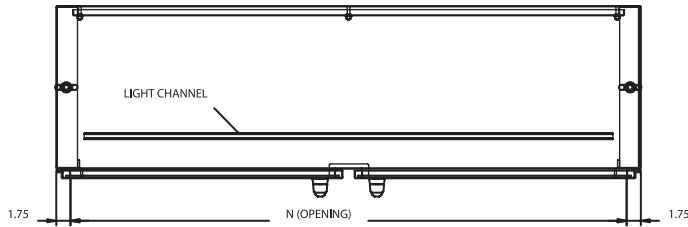
#### Certifications

- NEMA Type 3, 3R, 4, 4X, 12, and 13
- UL50
- cULus Listed

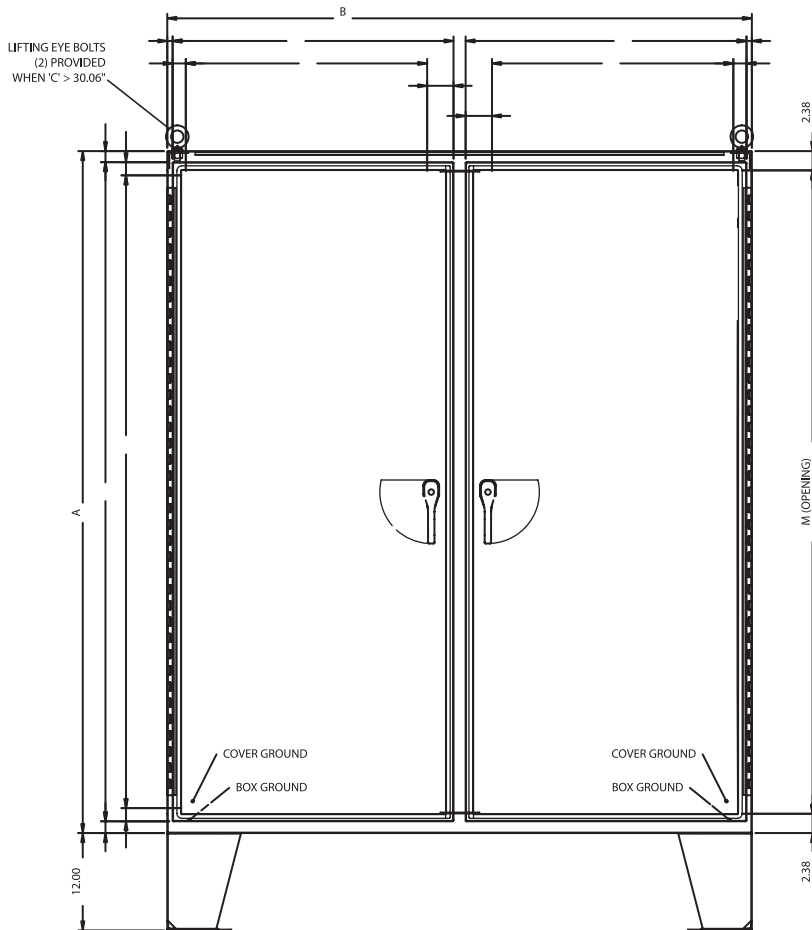
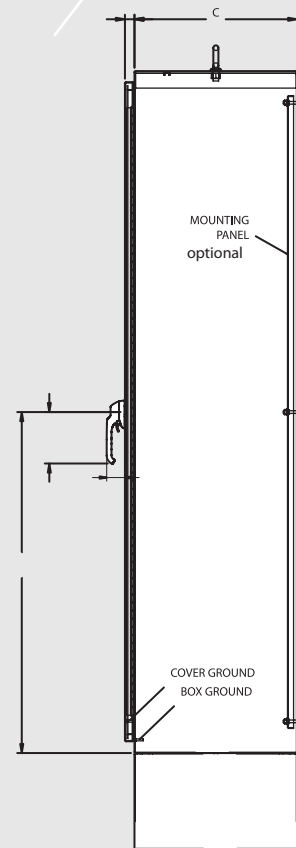


## Floor-Mount Double-Door Enclosures

TOP VIEW



SIDE VIEW



# Floor-Mount Double-Door Enclosures

## N4X-FMDD

Catalog Number*	A	B	C	M	N
N4X-544208FMDD	52.00	42.06	8.06	49.31	38.56
N4X-624808FMDD	60.00	48.06	8.06	57.31	44.56
N4X-624810FMDD	60.00	48.06	10.06	57.31	44.56
N4X-626010FMDD	60.00	60.06	10.06	57.31	56.56
N4X-746010FMDD	72.00	60.06	10.06	69.31	56.56
N4X-747210FMDD	72.00	72.00	10.06	69.31	68.56
N4X-624812FMDD	60.00	48.06	12.06	57.31	44.56
N4X-626012FMDD	60.00	60.06	12.06	57.31	68.56
N4X-746012FMDD	72.00	60.06	12.06	69.31	56.56
N4X-747212FMDD	72.00	72.00	12.06	69.31	68.56
N4X-624816FMDD	62.00	48.06	16.06	57.31	44.56
N4X-626016FMDD	62.00	60.06	16.06	57.31	56.56
N4X-746016FMDD	72.00	60.06	16.06	69.31	56.56
N4X-747216FMDD	72.00	72.00	16.06	69.31	68.56
N4X-624818FMDD	60.00	48.06	18.06	57.31	44.56
N4X-624820FMDD	60.00	48.06	20.06	57.31	44.56
N4X-746020FMDD	72.00	60.06	20.06	69.31	56.56
N4X-747220FMDD	72.00	72.00	20.06	69.31	68.56
N4X-624824FMDD	60.00	48.06	24.06	57.31	44.56
N4X-626024FMDD	60.00	60.06	24.06	57.31	56.56
N4X-746024FMDD	72.00	60.06	24.06	69.31	56.56
N4X-747224FMDD	72.00	72.00	24.06	69.31	68.56

\*NOTE: for Type 316L Stainless Steel, substitute catalog prefix N4X with N4X6.

## Powerwash/Pumpstation Stainless Steel Enclosures

### Standard Features

- Concealed hinge with removable stainless steel pins
- Wall mounting feet
- Stainless steel slotted quarter turn latch
- Seamless, poured one-piece polyurethane watertight gasket
- Gasket retainer
- 3/8 - 16 x 1" collar studs for optional mounting panel (mounting panels sold separately)
- Grounding studs on inside of box and cover

### Design Options

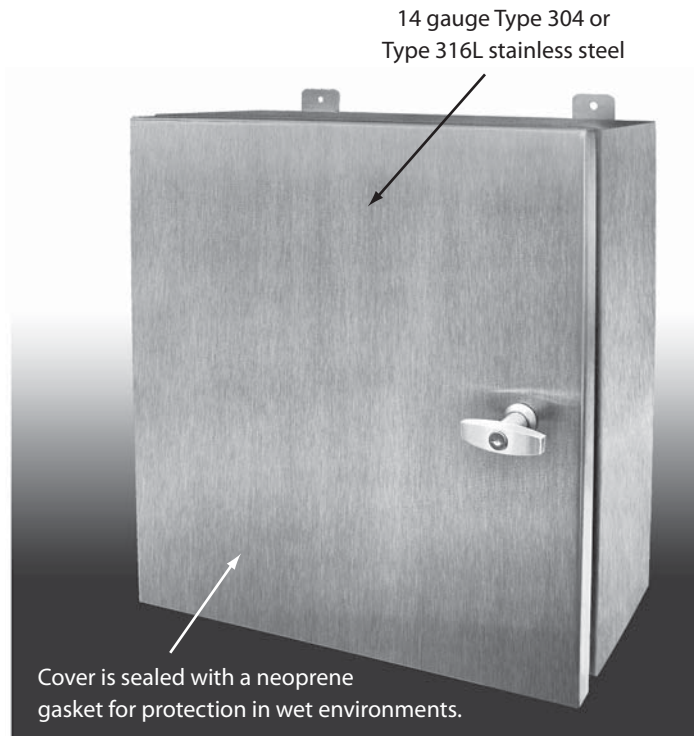
- Painted steel and stainless steel mounting panels
- Laser cut entries or cut-outs
- Wing knob and keyed handle inserts
- Terminal blocks or other component assembly
- Print pockets
- Swing panel / dead front panel
- Epoxy paint or powder coating
- Window kits
- Drip shields and sun shields
- Door prop / cover support
- Convenience outlet
- Lighting package
- Custom sizes

### Materials

- 14 gauge / Type 304 or 316L stainless steel
- Stainless steel hardware
- #3 / #4 brushed finish

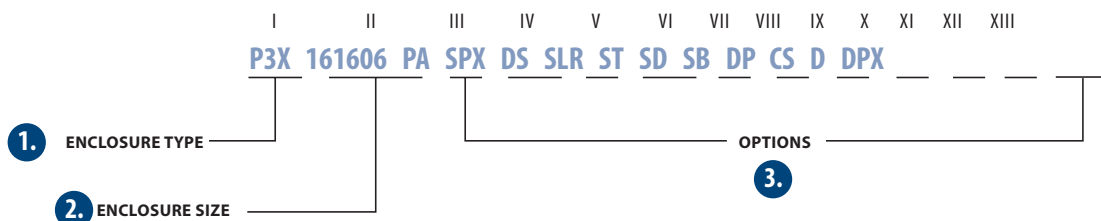
### Certifications

- NEMA Type 3, 3R, 4, 4X, 12, and 13
- UL50
- cULus Listed



## Create Your Enclosure Build your part # by following these 3 easy steps:

1. Select your enclosure type
2. Select your enclosure size
3. Select your options





# NEMA Type 4X

OPTIONS		
Build #	Cat #	Description
III	<b>Latch, Q-Turn Subs.</b>	
	WK	Wing Knob Quarter Turns
	-PWK	Padlockable Wing Knob Quarter Turns
IV	<b>Mounting Panels</b>	
	-P	12 Gauge, Stainless Steel, Powder Coated White
	-PX	12 Gauge, Stainless Steel 304
	-PX6	12 Gauge, Stainless Steel 316L
	-PA	.125" Thick, Aluminum 6061
V	<b>Swing Panels</b>	
	-SP	12 Gauge, Stainless Steel, Powder Coated White
	-SPX	12 Gauge, Stainless Steel 304
	-SPX6	12 Gauge, Stainless Steel 316L
	-SPA	.125" Thick, Aluminum 6061
VI	<b>Drip Shield</b>	
	-DS	Drip Shield Installed
VII	<b>Sun Shields (L &amp; R)</b>	
	-SLR	Installed Left & Right Side, Stainless Steel
	-SLRP	Installed Left & Right Side, Stainless Steel Polyester Powder Coated White
VIII	<b>Sun Shields (Top)</b>	
	-ST	Installed Top Side, Stainless Steel
	-SLRP	Installed Left & Right Side, Stainless Steel Polyester Powder Coated White
IX	<b>Sun Shields (Door)</b>	
	-SD**	Installed Door - 3PT Latch, Stainless Steel
	-SLRP	Installed Left & Right Side, Stainless Steel Polyester Powder Coated White
	-SDQ	Installed Door - QTR. Turn, Stainless Steel
	-SLRP	Installed Left & Right Side, Stainless Steel Polyester Powder Coated White
X	<b>Sun Shields (Back)</b>	
	-SB	Installed Back Side - Stainless Steel
	-SLRP	Installed Left & Right Side, Stainless Steel Polyester Powder Coated White
XI	<b>Door Prop</b>	
	-DP	Door Prop Rod Supplied
XII	<b>Cover Support</b>	
	-CS	Cover Support Installed
XIII	<b>Convenience Outlet</b>	
	-CO	Duplex 125V 20A GFI Receptacle Installed on Swing Panel XIII
XIV	<b>Magnetic Contact</b>	
	-MC	Closed Loop, 100V AC/DC, .5A Max., Installed
XV	<b>Lighting Packages</b>	
	-LPI	1" x 12 1/4", 120V, 8W T5 Bulb, Elect. Ballast, 15A Outlet
	-LP2	1" x 21 1/4", 120V, 13W T5 Bulb, Elect. Ballast, 15A Outlet
	-LP3	1" x 33 1/2", 120V, 8&13W T5 Bulb, Elect. Ballast, 15A Outlet
XVI	<b>Data Pocket</b>	
	-DPP	Plastic Data Pocket
	-DPX	Stainless Steel Data Pocket
XVII	<b>Cooling Fan</b>	
	-CF1	4" Sq., 115 V, 50/60 HZ, 85/100 CFM, .26/.21 A
	-CF2	6" Dia., 115 V, 50/60 HZ, 200/240 CFM, .45/.36 A
	-CF3	10" Dia., 115 V, 50/60 HZ, 480/560 CFM, 1.0/.88 A

## I - ENCLOSURE TYPE

Prefix	Description
P3X	UL/cUL Type 3R, Padlockable 3-PT Latch, SS304
P12X	UL/cUL Type 12, Padlockable 3-PT Latch, SS304
P4X	UL/cUL Type 4X, Padlockable 3-PT Latch SS304
P3QX	UL/cUL Type 3R, Slotted Quarter Turn, SS304
P12XQ	UL/cUL Type 12, Slotted Quarter Turn, SS304
P4XQ	UL/cUL Type 4X, Slotted Quarter Turn, SS304
P3X6	UL/cUL Type 3R, Padlockable 3-PT Latch, SS316L
P12X6	UL/cUL Type 12, Padlockable 3-PT Latch, SS316L
P4X6	UL/cUL Type 4X, Padlockable 3-PT Latch, SS316L
P3X6Q	UL/cUL Type 3R, Slotted Quarter Turn, SS316L
P12X6Q	UL/cUL Type 12, Slotted Quarter Turn, SS316L
P4X6Q	UL/cUL Type 4X, Slotted Quarter Turn, SS316L

## II - ENCLOSURE SIZE

Cat #	L (in.)	W (in.)	D (in.)	Cat #	L (in.)	W (in.)	D (in.)
-161606	16	16	6	-242010	24	20	10
-162006	16	20	6	-242410	24	24	10
-201606	20	16	6	-302410	30	24	10
-202006	20	20	6	-362410	36	24	10
-202406	20	24	6	-363010	36	30	10
-241206	24	12	6	-423010	42	30	10
-241606	24	16	6	-423610	42	36	10
-242006	24	20	6	-483610	48	36	10
-242406	24	24	6	-603610	60	36	10
-302006	30	20	6	-201612	20	16	12
-302406	30	24	6	-242012	24	20	12
-362406	36	24	6	-242412	24	24	12
-363006	36	30	6	-302412	30	24	12
-161208	16	12	8	-303012	30	30	12
-161608	16	16	8	-362412	36	24	12
-162008	16	20	8	-363012	36	30	12
-201608	20	16	8	-363612	36	36	12
-202008	20	20	8	-423012	42	30	12
-202408	20	24	8	-423612	42	36	12
-241608	24	16	8	-483612	48	36	12
-242008	24	20	8	-603612	60	36	12
-242408	24	24	8	-242016	24	20	16
-243008	24	30	8	-242416	24	24	16
-302008	30	20	8	-302416	30	24	16
-302408	30	24	8	-363016	36	30	16
-303008	30	30	8	-423616	42	36	16
-362408	36	24	8	-483616	48	36	16
-363008	36	30	8	-603616	60	36	16
-363608	36	36	8	-302420	30	24	20
-423008	42	30	8	-363020	36	30	20
-423608	42	36	8	-483620	48	36	20
-483608	48	36	8	-603620	60	36	20
-201610	20	16	10	-302424	30	24	24
-202010	20	20	10				

## Window Kits

### Standard Features

- Type 304 and 316 stainless steel frame and retaining plate
- Watertight silicone gasket
- Stainless steel hardware
- Tempered plate glass
- Installed on any stainless steel enclosure 14-16 gauge material
- Various sizes from 3x3 through 24x24

### Construction Material

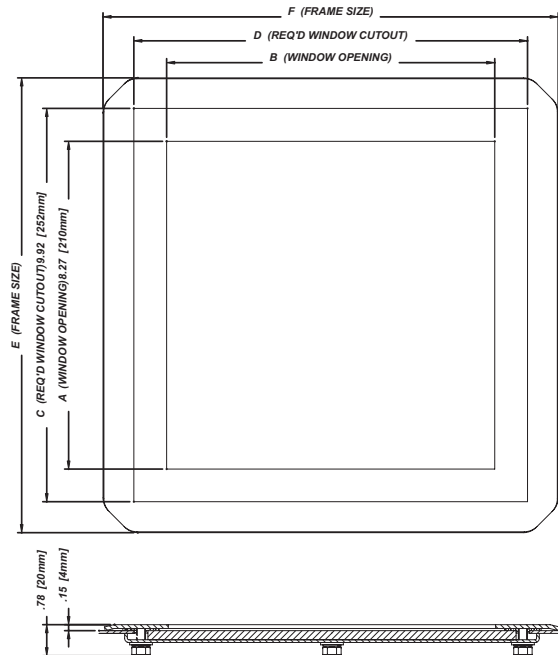
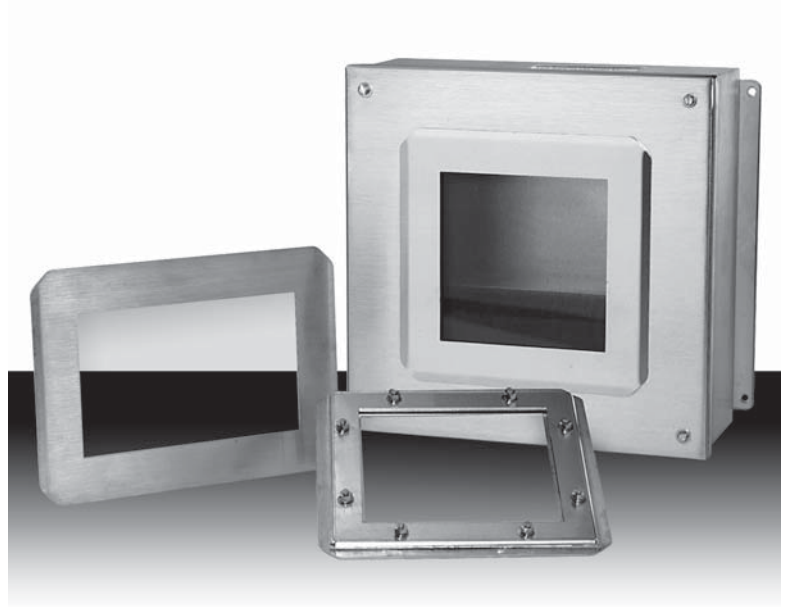
- 12\* and 14 gauge / Type 304 or 316L stainless steel
- Stainless steel hardware
- #3 / #4 brushed finish

### Certifications

- NEMA Type 3, 3R, 4, 4X, 12 and 13
- UL50
- cULus Listed

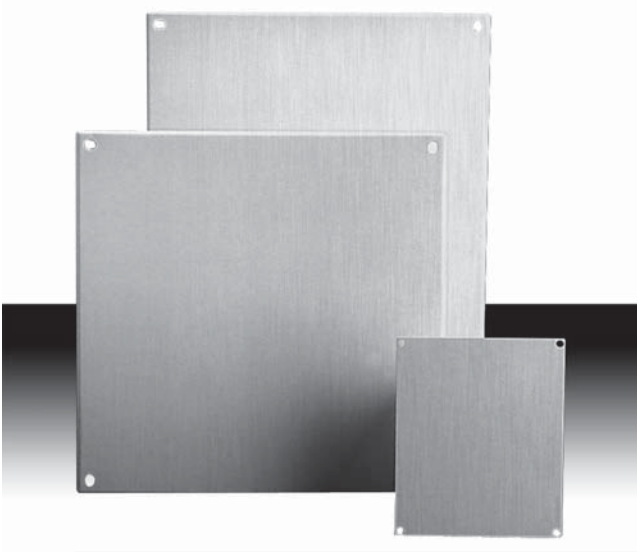


\* 12 gauge applications require custom modifications.



EWK WINDOW KITS						
SS 316L Catalog Number	Viewing Area		Cutout		Frame Size	
	A	B	C	D	E	F
EWK-0303SS6	3.00	3.00	4.81	4.81	6.50	6.50
EWK-0503SS6	5.00	3.00	6.81	4.81	8.50	6.50
EWK-0505SS6	5.00	5.00	6.81	6.81	8.50	8.50
EWK-0703SS6	7.00	3.00	8.81	4.81	10.50	6.50
EWK-0707SS6	7.00	7.00	8.81	8.81	10.50	10.50
EWK-0905SS6	9.00	5.50	10.81	7.31	12.50	9.00
EWK-0909SS6	9.00	9.00	10.81	10.81	12.50	12.50
EWK-1111SS6	11.00	11.00	12.81	12.81	14.50	14.50
EWK-1303SS6	13.00	3.00	14.81	3.81	16.50	6.50
EWK-1308SS6	13.00	8.00	14.81	9.81	16.50	11.50
EWK-1313SS6	13.00	13.00	14.81	14.81	16.50	16.50
EWK-1515SS6	15.00	15.00	16.81	16.81	18.50	18.50
EWK-1705SS6	17.00	5.50	18.81	7.31	20.50	9.00
EWK-1711SS6	17.00	11.00	18.81	12.81	20.50	14.50
EWK-1717SS6	17.00	17.00	18.81	18.81	20.50	20.50
EWK-2315SS6	23.00	15.00	24.81	16.81	26.50	18.50
EWK-2424SS6	24.00	24.00	25.81	24.81	27.50	27.50

## Mounting Panels



### JN4X(6) Series Mounting Panels

- Type 316L stainless steel panels are 14 gauge (.075") with a 2B brushed finish
- Carbon steel panels are 14 gauge (.075") with a gloss white powder coat finish
- Custom panel sizes and materials available upon request

### N4X(6) / AVSS (Victory) Series Mounting Panels

- Type 316L stainless steel panels are 12 gauge (.1046") with a 2B brushed finish
- Carbon steel panels are 12 gauge (.1046") with a gloss white powder coat finish
- Custom panel sizes and materials available upon request

**Panels for N4X JIC Enclosures**

Painted Steel Cat #	SS Cat #	For Enclosure	Panel Size (H x W)
06P04	06P04SS6	6 x 4	4 7/8" x 2 7/8"
06P06	06P06SS6	6 x 6	4 7/8" x 4 7/8"
08P06	08P06SS6	8 x 6	6 7/8" x 4 7/8"
08P08	08P08SS6	8 x 8	6 7/8" x 6 7/8"
10P08	10P08SS6	10 x 8	8 7/8" x 6 7/8"
10P10	10P10SS6	10 x 10	8 7/8" x 8 7/8"
12P10	12P10SS6	12 x 10	10 7/8" x 8 7/8"
12P12	12P12SS6	12 x 12	10 7/8" x 10 7/8"
14P08	14P08SS6	14 x 8	12 7/8" x 6 7/8"
14P12	14P12SS6	14 x 12	12 7/8" x 10 7/8"
15P15	15P15SS6	15 x 15	13 7/8" x 13 7/8"
15P15	16P14SS6	16 x 14	14 7/8" x 12 7/8"

**Panels for N4X Single Door and Victory Series Enclosures**

Painted Steel Cat	SS Cat # for Enclosure	Enclosure Size	Panel Size (H x W)
V1212	V1212SS6	12 x 12	9" x 9"
V1612	V1612SS6	16 x 12	13" x 9"
V1616	V1616SS6	16 x 16	13" x 13"
V2012	V2012SS6	20 x 12	17" x 19"
V2016	V2016SS6	20 x 16	17" x 13"
V2020	V2020SS6	20 x 20	17" x 17"
V2412	V1212SS6	24 x 12	21" x 9"
V2416	V2416SS6	24 x 16	21" x 13"
V2420	V2420SS6	24 x 20	21" x 17"
V2424	V2424SS6	24 x 24	21" x 21"
V3016	V3016SS6	30 x 16	27" x 13"
V3020	V3020SS6	30 x 20	27" x 17"
V3024	V3024SS6	30 x 24	27" x 21"
V3030	V3030SS6	30 x 30	27" x 27"
V3624	V3624SS6	36 x 24	33" x 21"
V3630	V3630SS6	36 x 30	35" x 21"
V3636	V3636SS6	36 x 36	39" x 27"
V4224	V4224SS6	42 x 24	39" x 33"
V4230	V4230SS6	42 x 30	45" x 21"
V4236	V4236SS6	42 x 36	42" x 27"
V4824	V4824SS6	48 x 24	45" x 21"
V4830	V4830SS6	48 x 30	42" x 27"
V4836	V4836SS6	48 x 36	45" x 33"
V6036	V6036SS6	60 x 36	57" x 33"

## AVSS(6) Victory Series Quarter Turn Latches

### LOCKS & LATCHES

Catalog Number	Description
M10290	Slotted Quarter Turn Zinc Black
M10298	Slotted Quarter Turn SS316
M10289	Keyed Quarter Turn Zinc Black
M11616	Keyed Quarter Turn SS316
M3542	Wing Handle Quarter Turn Zinc Black
M3338	Padlock Wing Handle Quarter Turn Zinc Black
M10925	Keyed Handle Quarter Turn Zinc Black
M5542	Keyed T-Handle Quarter Turn SS316
M5474	Keyed L-Handle Quarter Turn SS316
M10295	3MM Double Bit Quarter Turn SS316
M5543	Spare Key
M10296	Spare 3MM Double Bit Key Polyamide



## AVSS(6) Victory Series Hinge Kits

### HINGE KITS

Catalog Number	Description
M10291	Zinc / Black with Self Securing Delrin Pin
M10294	SS316L with SS316 Pin
M10294-1	SS316L Pin



## AVSS(6) Victory Series Wall Mounting Bracket

### WALL MOUNTING BRACKETS

Catalog Number	Description
V-SSWMB	<ul style="list-style-type: none"> <li>• Set of four SS316L brackets and hardware</li> <li>• Maintain 4, 4X, 12, 13 ratings</li> <li>• Field installable</li> <li>• No punching or drilling required</li> </ul>

# Thermoelectric Heater/Cooler



## Top Ten Advantages

1. Cooling and Heating - all in ONE, maintenance-free unit
2. Built to NEMA Type 4X standards for tough industrial environments
3. NO air exchange with ambient (outside) air
4. Flexible mounting options include indoor/outdoor use and vertical or horizontal installation
5. Small form factor that is compact and lightweight giving you more useable area in your enclosure
6. NO moving parts (other than fans)
7. NO compressor, evaporator, condenser, refrigerants, CFC's or other chemicals
8. NO copper tubing or liquid lines
9. NO performance loss when low input
10. NO filters to change or clean

THERMOELECTRIC HEATER COOLER			
	AC-2796 (PART# M20803)	AC-2797 (PART# M20804)*	AC-2798 (PART# M20805)*
Capacity Rating (W/BTU)	62/211 (DT=15° @ 25°C Tamb)	121/412 (DT=15° @ 25°C Tamb)	242/825 (DT=15° @ 25°C Tamb)
Operating Voltage (VDC)	24	24	24
Operating Current (A)	3.2	6.1	12.2
Working Temperature	-10°C to +70°C	-10°C to +70°C	-10°C to +70°C
Max. Ambient Temperature	+40°C	+40°C	+40°C
Dimensions (H x W x D approx)	5.63" x 4.00" x 7.75"	9.00" x 4.00" x 8.00"	13.63" x 5.25" x 9.50"
<b>Optional Accessories</b>			
Power Supply	M20806	M20807	M20808
Temperature Controller	M20809	M20809	M20810

NOTE: Sensor is needed with controller options. Please contact the factory for available sensor options. Without the controller, the unit is a full-time heater or cooler.

\* Product does not carry UL Approvals.













**TAB**



# NEMA Type 4X

## Pushbutton Fiberglass Enclosures

### **STANDARD FEATURES**

- Three pushbutton layouts available 1-7 cover holes
- Lift off cover design
- Recessed captive stainless steel screws
- Notched keyhole design
- Metal grounding strap furnished
- Poured polyurethane gasket provides water-tight, dust-tight seal
- Light weight and impact resistant

### **DESIGN OPTIONS**

- External mounting feet available
- Drilled entries and cut-outs available
- Installation of cover operators

### **MATERIAL**

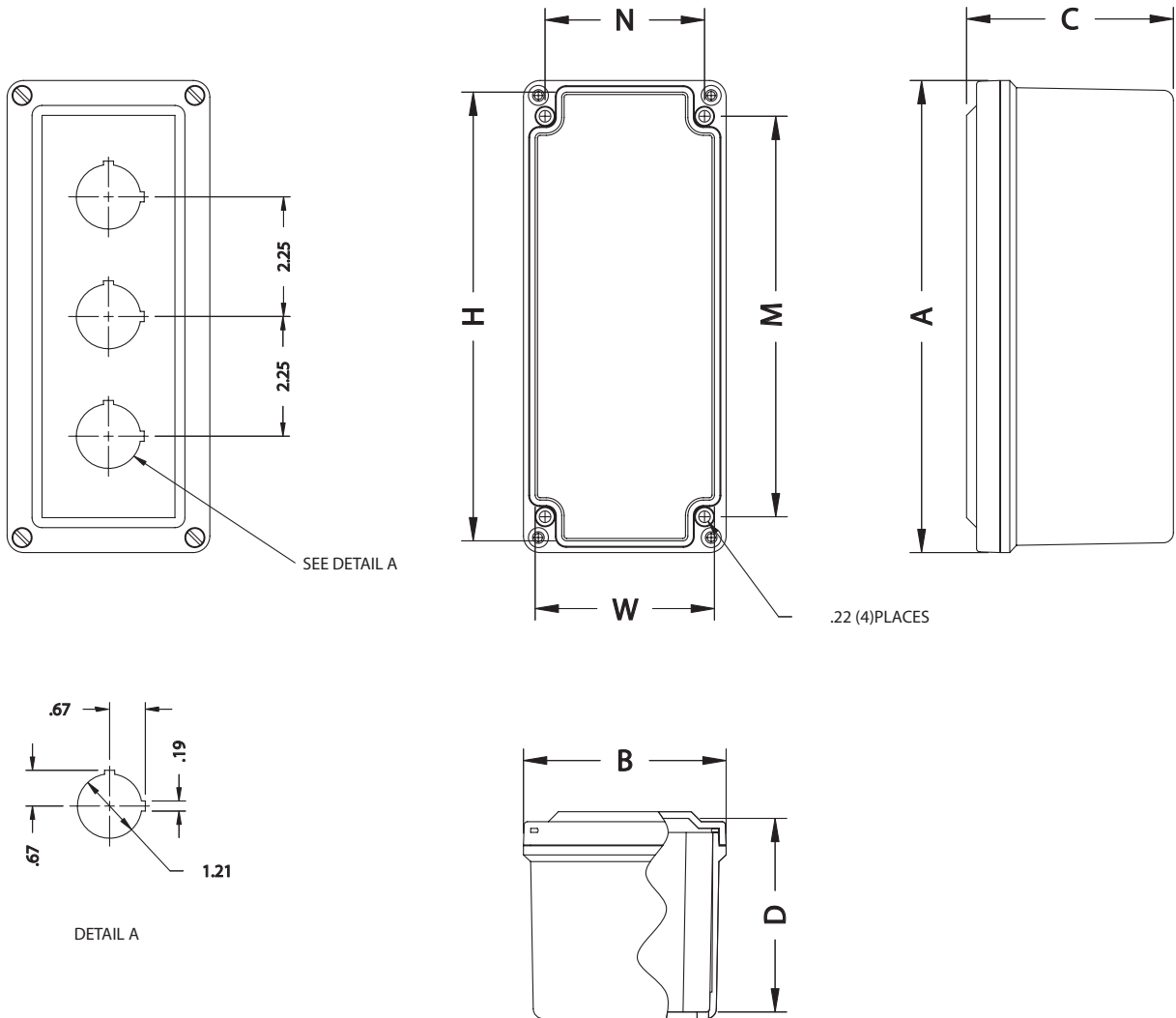
- Hot compression molded fiberglass reinforced polyester (thermoset)
- Non-corrosive and UV resistant
- Smooth surface, no color variations, swirls, or color pockets
- Non-flame propagating and chemical resistant
- Color is Light Gray

### **CERTIFICATIONS**

- UL 50
- CSA Std 22.2 No. 94
- NEMA Type 1, 3, 4X, 6P, 12
- Temperature Range - 40° C to +120° C (-40° F to +250° F)
- Flammability Rating UL94-5V



# NEMA Type 4X



Fiberglass

### FIBERGLASS

Catalog #	Overall Dimensions			Inside Dimensions			Mounting Dim.		Weight	Panel Cat #
	A	B	C	H	W	D	M	N		
N4X-FG-1PB	6.63	3.81	3.89	6	3.19	3.63	4.88	2.94	2 lbs.	No Panel
N4X-FG-2PB	6.63	3.81	3.89	6	3.19	3.63	4.88	2.94	2 lbs.	No Panel
N4X-FG-3PB	8.88	3.81	3.89	8.26	3.19	3.63	7.13	2.94	2 lbs.	No Panel
N4X-FG-4PB	11.13	3.81	3.89	10.51	3.19	3.63	9.37	2.94	2 lbs.	No Panel
N4X-FG-5PB	13.78	3.63	3.14	13.19	3.03	2.87	12.37	2.75	2 lbs.	No Panel
N4X-FG-6PB	17.35	3.63	3.14	16.75	3.03	2.87	15.94	2.75	3 lbs.	No Panel
N4X-FG-7PB	17.35	3.63	3.14	16.75	3.03	2.87	15.94	2.75	3 lbs.	No Panel

All measurements are in inches

# NEMA Type 4X

## Flush Cover Fiberglass Enclosures

### STANDARD FEATURES

- Nine standard sizes available
- Lift off cover design
- Recessed captive stainless steel screws
- Small raised beveled cover
- Cover flush with enclosure sides
- Poured polyurethane gasket provides water-tight, dust-tight seal
- Light weight and impact resistant

### DESIGN OPTIONS

- External mounting feet available
- Drilled entries and cut-outs available
- Molded in custom colors
- Silk screening, paint, and decals

### MATERIAL

- Hot compression molded fiberglass reinforced polyester (thermoset)
- Non-corrosive and UV resistant
- Smooth surface, no color variations, swirls, or color pockets
- Non-flame propagating and chemical resistant
- Color described as Light Gray

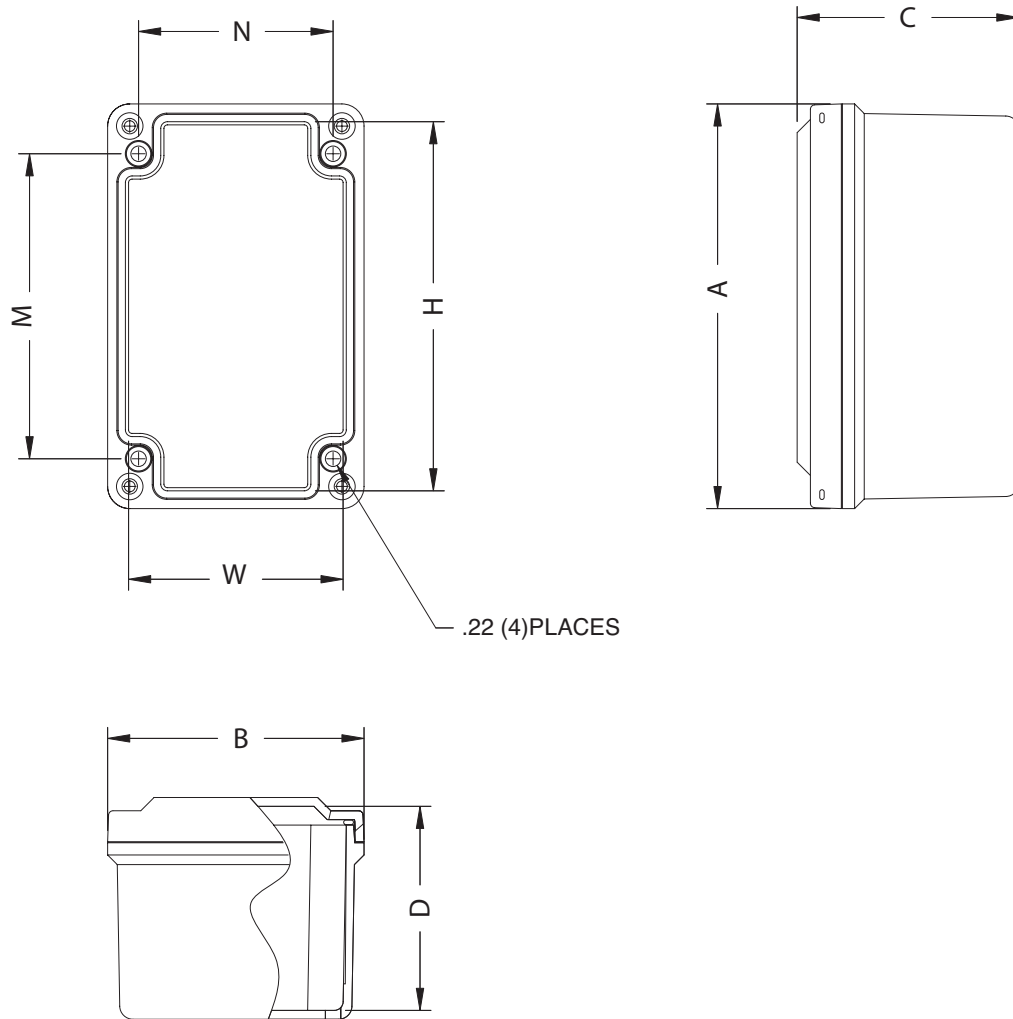
### CERTIFICATIONS

- UL 50
- CSA Std 22.2 No. 94
- NEMA Type 1, 3, 4X, 6P, 12
- Temperature Range - 40° C to +120° C (-40° F to +250° F)
- Flammability Rating UL94-5V





# NEMA Type 4X



Fiberglass

### FIBERGLASS

Catalog #	Overall Dimensions			Inside Dimensions			Mounting Dim.		Weight Lbs.	Panel Cat #
	A	B	C	H	W	D	M	N		
N4X-FG-030302	3.72	3.63	2.95	3.13	3.03	2.70	2.31	2.75	1 lbs.	No Panel
N4X-FG-050302	5.97	3.63	3.14	5.38	3.03	2.87	4.56	2.75	1 lbs.	No Panel
N4X-FG-060404	6.63	3.81	3.89	6	3.19	3.63	4.88	2.94	2 lbs.	No Panel
N4X-FG-080302	8.41	3.63	3.14	7.82	3.03	2.87	7.00	2.75	2 lbs.	No Panel
N4X-FG-080404	8.88	3.81	3.89	8.26	3.19	3.63	7.13	2.94	2 lbs.	No Panel
N4X-FG-090302	9.35	3.63	3.14	8.75	3.03	2.87	7.94	2.75	2 lbs.	No Panel
N4X-FG-110404	11.13	3.81	3.89	10.51	3.19	3.63	9.37	2.94	2 lbs.	No Panel
N4X-FG-140302	13.78	3.63	3.14	13.19	3.03	2.87	12.37	2.75	2 lbs.	No Panel
N4X-FG-170302	17.35	3.63	3.14	16.75	3.03	2.87	15.94	2.75	3 lbs.	No Panel

All measurements are in inches

# NEMA Type 4X

## Small Screw Cover Fiberglass Enclosures

### **STANDARD FEATURES**

- Two standard sizes available
- Lift off cover design
- Recessed captive stainless steel screws
- Molded in panel mounting inserts
- Poured polyurethane gasket provides water-tight, dust-tight seal
- Light weight and impact resistant

### **DESIGN OPTIONS**

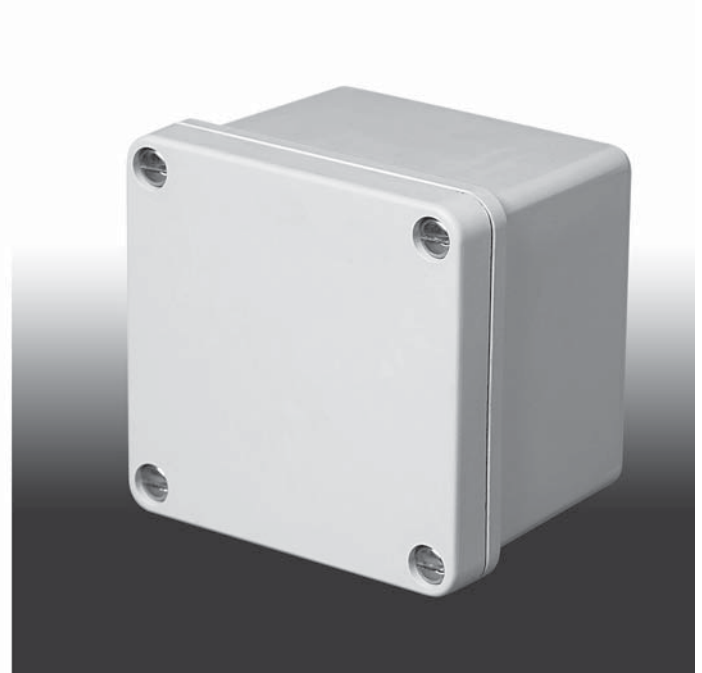
- External mounting feet available
- Mounting panels
- Drilled entries and cut-outs available
- Molded in custom colors
- Silk screening, paint, and decals

### **MATERIAL**

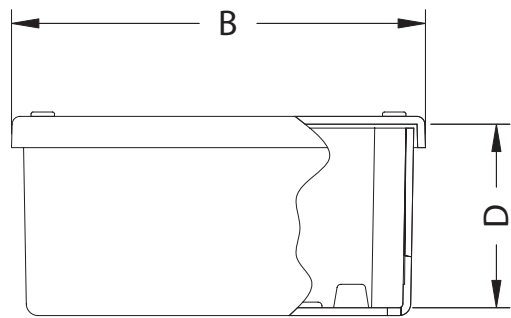
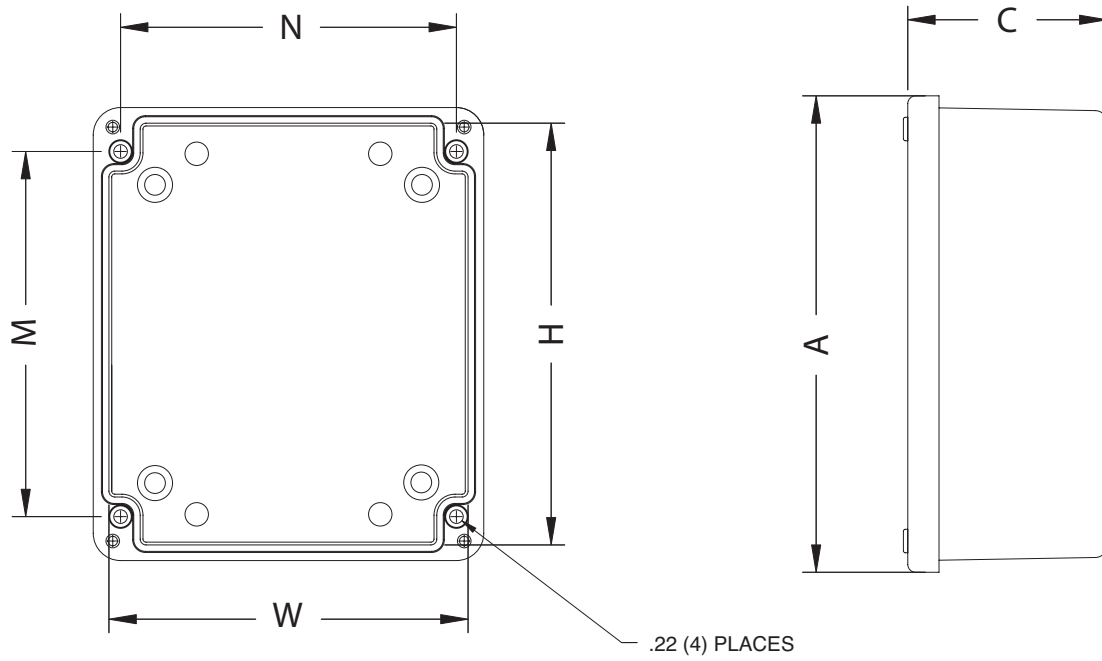
- Hot compression molded fiberglass reinforced polyester (thermoset)
- Non-corrosive and UV resistant
- Smooth surface, no color variations, swirls, or color pockets
- Non-flame propagating and chemical resistant
- Color described as Light Gray

### **CERTIFICATIONS**

- UL 50
- CSA Std 22.2 No. 94
- NEMA Type 1, 3, 4X, 6P, 12
- Temperature Range - 40° C to +120° C (- 40° F to +250° F)
- Flammability Rating UL94-5V



# NEMA Type 4X



### FIBERGLASS

Catalog #	Overall Dimensions			Inside Dimensions			Mounting Dim.		Weight Lbs.	Panel Cat #	Panel Dim.	
	A	B	C	H	W	D	M	N				
N4X-FG-070603	7.63	6.63	3.19	6.90	5.90	2.88	5.37	4.25	3 lbs.	BP76A	6.00	4.88
N4X-FG-090603	9.87	6.63	3.19	9.15	5.90	2.88	7.62	4.25	3 lbs.	BP96A	8.25	4.88

All measurements are in inches

Fiberglass

# NEMA Type 4X

## Screw Cover Fiberglass Enclosures

### **STANDARD FEATURES**

- Five standard sizes available
- Lift off cover design
- Surface flat stainless steel screws
- Integral mounting flange
- Stainless steel beaded cover chain
- Poured polyurethane gasket provides water-tight, dust-tight seal
- Light weight and impact resistant

### **DESIGN OPTIONS**

- Mounting panels
- Drilled entries and cut-outs available
- Molded in custom colors
- Silk screening, paint, and decals

### **MATERIAL**

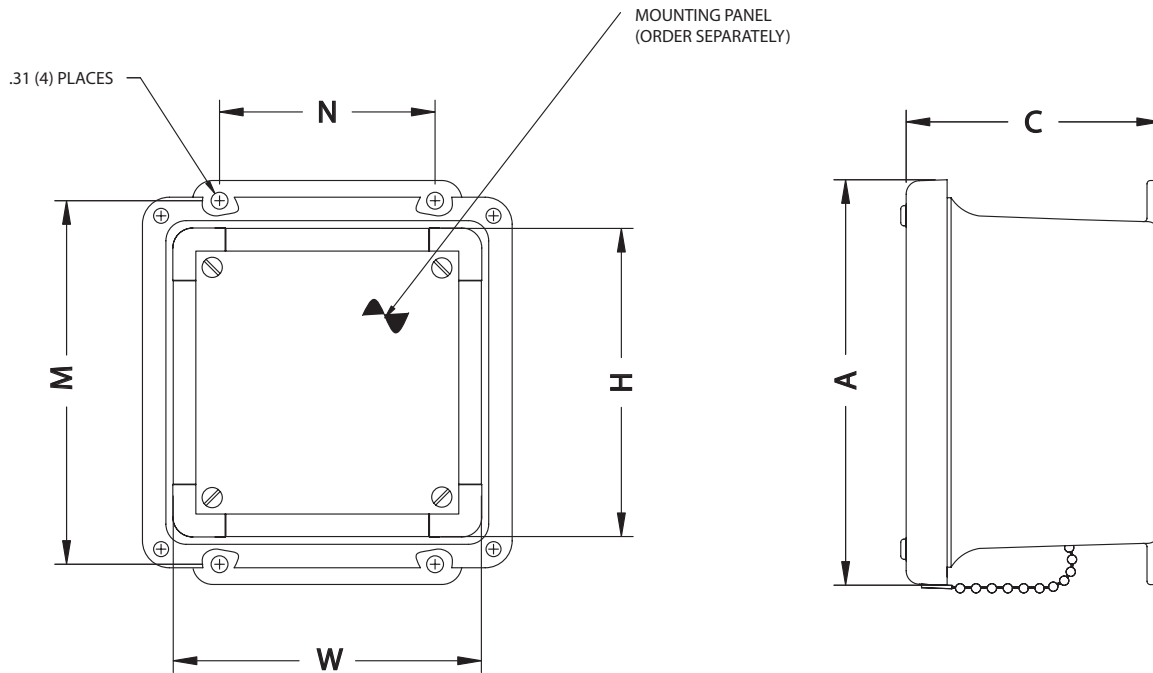
- Hot compression molded fiberglass reinforced polyester (thermoset)
- Non-corrosive and UV resistant
- Smooth surface, no color variations, swirls, or color pockets
- Non-flame propagating and chemical resistant
- Color described as Light Gray

### **CERTIFICATIONS**

- UL 50
- CSA Std 22.2 No. 94
- NEMA Type 1, 3, 4X, 6P, 12
- Temperature Range - 40° C to +120° C -( 40° F to +250° F)
- Flammability Rating UL94-5V



# NEMA Type 4X



Fiberglass

### FIBERGLASS

Catalog #	Overall Dimensions			Inside Dimensions			Mounting Dimensions			Weight Lbs.	Panel Cat #	Panel Dim.	
	A	B	C	H	W	D	M	N	P				
N4X-FG-060404SC	7.50	5.43	4.75	5.84	3.85	4.45	6.75	2.00	4.00	2.50 lbs.	BP64A	4.88	2.88
N4X-FG-060604SC	7.50	7.50	4.75	5.72	5.72	4.45	6.75	4.00	4.00	2.75 lbs.	BP66A	4.88	4.88
N4X-FG-080604SC	9.62	7.50	4.74	7.73	5.74	4.45	8.88	4.00	4.00	3.50 lbs.	BP86A	6.88	4.88
N4X-FG-080804SC	9.56	9.38	4.89	7.73	7.73	4.64	8.75	6.00	4.06	4.00 lbs.	BP88A	6.88	6.88
N4X-FG-100804SC	11.62	9.41	4.25	9.73	7.73	3.98	10.75	6.00	3.50	5 lbs.	BP108A	8.88	6.88
N4X-FG-121005SC	13.56	11.43	5.21	11.79	9.80	4.94	12.75	8.00	4.50	6.50 lbs.	BP1210A	10.88	8.88
N4X-FG-121206SC	13.56	13.38	6.36	11.70	11.70	6.11	12.75	10.00	5.53	3.20 lbs.	BP1212A	10.88	10.88
N4X-FG-140706SC	15.87	8.75	6.81	14.00	7.00	6.56	15.00	5.00	6.12	6.25 lbs.	BP147A	12.88	5.88
N4X-FG-141206SC	15.50	13.50	6.25	13.53	11.55	5.94	14.62	10.00	5.37	8.50 lbs.	BP1412A	12.88	10.88
N4X-FG-161406SC	17.53	15.46	6.23	15.63	13.60	5.94	16.75	12.00	5.36	11.50 lbs.	BP1614A	14.88	12.88
N4X-FG-181608SC	19.62	17.61	8.82	17.69	15.69	8.45	18.88	12.00	7.99	19.25 lbs.	BP1816A	16.88	14.88
N4X-FG-201608SC	22.00	17.68	8.83	19.72	15.72	8.45	21.25	10.00	8.00	20.25 lbs.	BP2016A	18.88	14.88

All measurements are in inches

# NEMA Type 4X

## Hinged Screw Cover Fiberglass Enclosures

### **STANDARD FEATURES**

- Twelve standard sizes available
- Full length stainless steel hinged cover
- Surface flat stainless steel screws on non-hinged side
- Integral mounting flange
- Cover opens full 180°+
- Mounting bosses with threaded brass inserts for mounting panel installation
- Poured polyurethane gasket provides water-tight, dust-tight seal
- Light weight and impact resistant

### **DESIGN OPTIONS**

- Mounting panels
- Drilled entries and cut-outs available
- Molded in custom colors
- Silk screening, paint, and decals

### **MATERIAL**

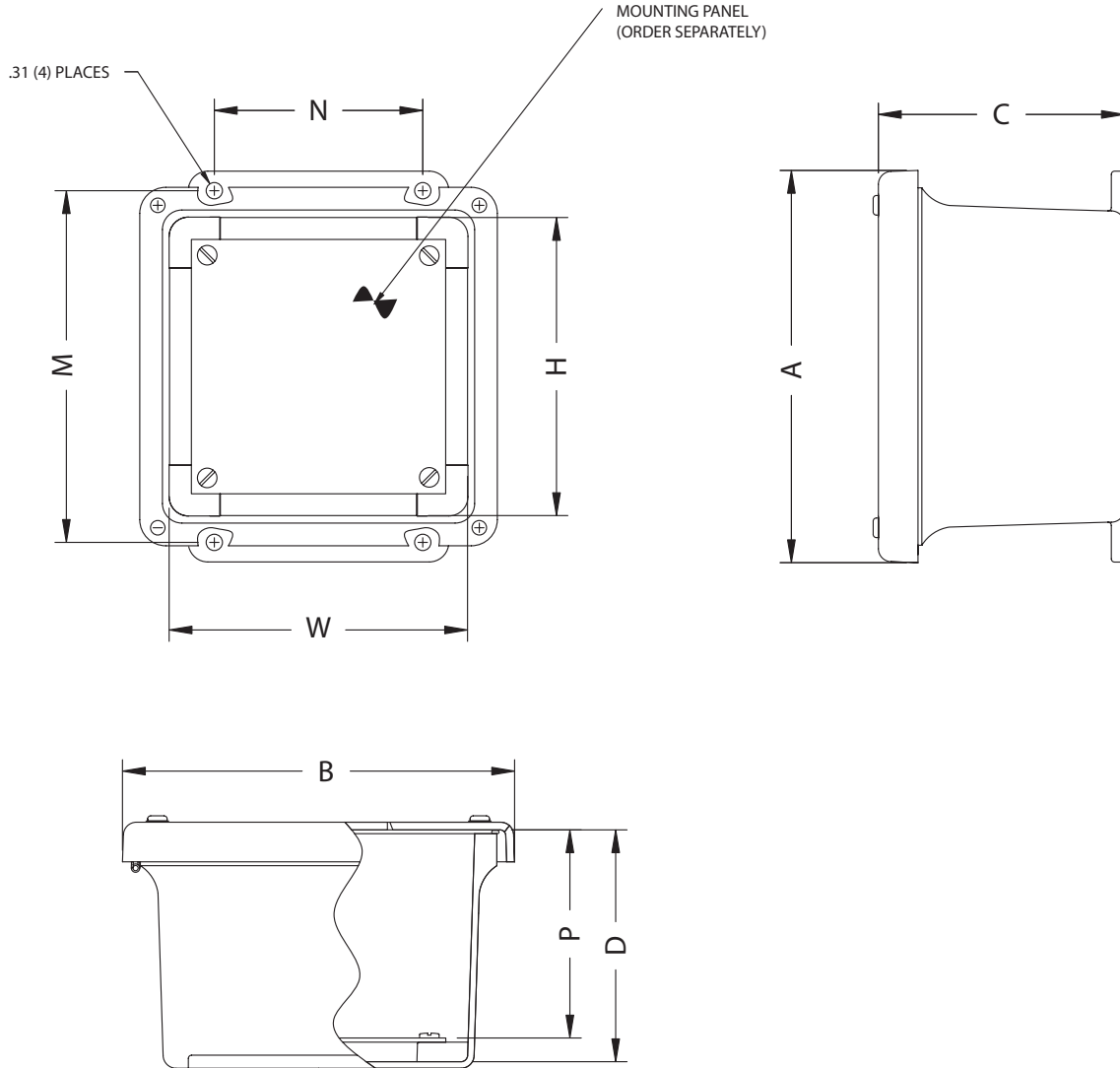
- Hot compression molded fiberglass reinforced polyester (thermoset)
- Non-corrosive and UV resistant
- Smooth surface, no color variations, swirls, or color pockets
- Non-flame propagating and chemical resistant
- Color described as Light Gray

### **CERTIFICATIONS**

- UL 50
- CSA Std 22.2 No. 94
- NEMA Type 1, 3, 4X, 6P, 12
- Temperature Range - 40° C to +120° C (-40° F to +250° F)
- Flammability Rating UL94-5V



# NEMA Type 4X



All measurements are in inches

## FIBERGLASS

Catalog #	Overall Dimensions			Inside Dimensions			Mounting Dimensions			Weight Lbs.	Panel Cat #	Panel Dim.	
	A	B	C	H	W	D	M	N	P				
N4X-FG-060404CHSC	7.50	5.43	4.75	5.84	3.85	4.45	6.75	2.00	4.00	2.50 lbs.	BP64A	4.88	2.88
N4X-FG-060604CHSC	7.50	7.50	4.75	5.72	5.72	4.45	6.75	4.00	4.00	2.75 lbs.	BP66A	4.88	4.88
N4X-FG-080604CHSC	9.62	7.50	4.74	7.73	5.74	4.45	8.88	4.00	4.00	3.50 lbs.	BP86A	6.88	4.88
N4X-FG-080804CHSC	9.56	9.38	4.89	7.73	7.73	4.64	8.75	6.00	4.00	4.00 lbs.	BP88A	6.88	6.88
N4X-FG-100804CHSC	11.62	9.41	4.25	9.73	7.73	3.98	10.75	6.00	3.50	5.00 lbs.	BP108A	8.88	6.88
N4X-FG-121005CHSC	13.56	11.43	5.21	11.79	9.80	4.94	12.75	8.00	4.50	6.50 lbs.	BP1210A	10.88	8.88
N4X-FG-121206CHSC	13.56	13.38	6.36	11.70	11.70	6.11	12.75	10.00	5.53	3.20 lbs.	BP1212A	10.88	10.88
N4X-FG-140706CHSC	15.87	8.75	6.81	14.00	7.00	6.56	15.00	5.00	6.12	6.25 lbs.	BP147A	12.88	5.88
N4X-FG-141206CHSC	15.50	13.50	6.25	13.53	11.55	5.94	14.62	10.00	5.37	8.50 lbs.	BP1412A	12.88	10.88
N4X-FG-161406CHSC	17.53	15.46	6.23	15.63	13.60	5.94	16.75	12.00	5.36	11.50 lbs.	BP1614A	14.88	12.88
N4X-FG-181608CHSC	19.62	17.61	8.82	17.69	15.69	8.45	18.88	12.00	7.99	19.25 lbs.	BP1816A	16.88	14.88
N4X-FG-201608CHSC	22.00	17.68	8.83	19.72	15.72	8.45	21.25	10.00	8.00	20.25 lbs.	BP2016A	18.88	14.88

# NEMA Type 4X

## Quick Release Latch Fiberglass Enclosures

### Flat Cover

Fiberglass

#### **STANDARD FEATURES**

- Twelve standard sizes available
- Padlockable quick release latch for quick entry
- Full length stainless steel hinged cover
- Integral mounting flange
- Cover opens full 180°+
- Mounting bosses with threaded brass inserts for mounting panel installation
- Poured polyurethane gasket provides water-tight, dust-tight seal
- Light weight and impact resistant

#### **DESIGN OPTIONS**

- Mounting panels
- Drilled entries and cut-outs available
- Molded in custom colors
- Silk screening, paint, and decals

#### **MATERIAL**

- Hot compression molded fiberglass reinforced polyester (thermoset)
- Non-corrosive and UV resistant
- Smooth surface, no color variations, swirls, or color pockets
- Non-flame propagating and chemical resistant
- Color described as Light Gray

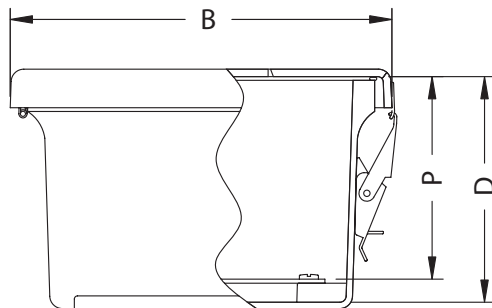
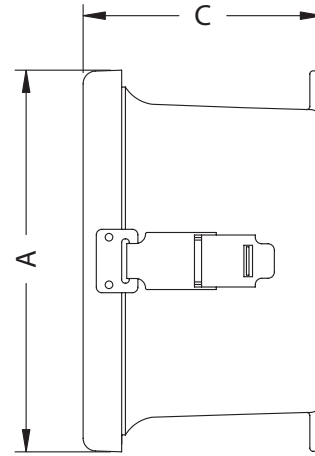
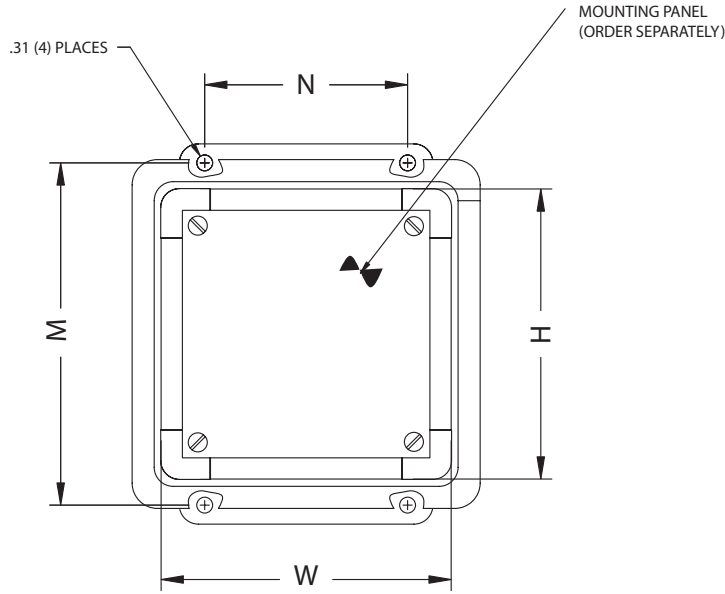
#### **CERTIFICATIONS**

- UL 50
- CSA Std 22.2 No. 94
- NEMA Type 1, 2, 4X, 6P, 12
- Temperature Range - 40° C to +120° C (-40° F to +150° F)
- Flammability Rating UL94-5V





# NEMA Type 4X



**FIBERGLASS**

Catalog #	Overall Dimensions			Inside Dimensions			Mounting Dimensions			Weight Lbs.	Panel Cat #	Panel Dim.	
	A	B	C	H	W	D	M	N	P				
N4X-FG-060404CHQR	7.50	5.43	4.75	5.84	3.85	4.45	6.75	2.00	4.00	2.50 lbs.	BP64A	4.88	2.88
N4X-FG-060604CHQR	7.50	7.50	4.75	5.72	5.72	4.45	6.75	4.00	4.00	2.75 lbs.	BP66A	4.88	4.88
N4X-FG-080604CHQR	9.62	7.50	4.74	7.73	5.74	4.45	8.88	4.00	4.00	3.50 lbs.	BP86A	6.88	4.88
N4X-FG-080804CHQR	9.56	9.38	4.89	7.73	7.73	4.64	8.75	6.00	4.06	4.00 lbs.	BP88A	6.88	6.88
N4X-FG-100804CHQR	11.62	9.41	4.25	9.73	7.73	3.98	10.75	6.00	3.50	5.00 lbs.	BP108A	8.88	6.88
N4X-FG-121005CHQR	13.56	11.43	5.21	11.79	9.80	4.94	12.75	8.00	4.50	6.50 lbs.	BP1210A	10.88	8.88
N4X-FG-121206CHQR	13.56	13.38	6.36	11.70	11.70	6.11	12.75	10.00	5.53	3.20 lbs.	BP1212A	10.88	10.88
N4X-FG-140706CHQR	15.87	8.75	6.81	14.00	7.00	6.56	15.00	5.00	6.12	6.25 lbs.	BP147A	12.88	5.88
N4X-FG-141206CHQR	15.50	13.50	6.25	13.53	11.55	5.94	14.62	10.00	5.37	8.50 lbs.	BP1412A	12.88	10.88
N4X-FG-161406CHQR	17.53	15.46	6.23	15.63	13.60	5.94	16.75	12.00	5.36	11.50 lbs.	BP1614A	14.88	12.88
N4X-FG-181608CHQR	19.62	17.61	8.82	17.69	15.69	8.45	18.88	12.00	7.99	19.25 lbs.	BP1816A	16.88	14.88
N4X-FG-201608CHQR	22.00	17.68	8.83	19.72	15.72	8.45	21.25	10.00	8.00	20.25 lbs.	BP2016A	18.88	14.88

All measurements are in inches

# NEMA Type 4X

## Twist Latch Fiberglass Enclosures

### Flat Cover

Fiberglass

#### **STANDARD FEATURES**

- Twelve standard sizes available
- Twist latch for quick entry
- Full length stainless steel hinged cover
- Integral mounting flange
- Cover opens full 180°+
- Mounting bosses with threaded brass inserts for mounting panel installation
- Poured polyurethane gasket provides water-tight, dust-tight seal
- Light weight and impact resistant

#### **DESIGN OPTIONS**

- Mounting panels
- Drilled entries and cut-outs available
- Molded in custom colors
- Silk screening, paint, and decals

#### **MATERIAL**

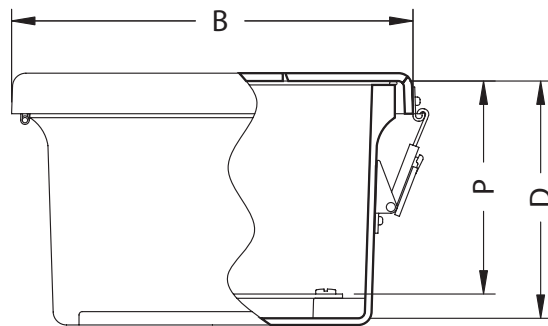
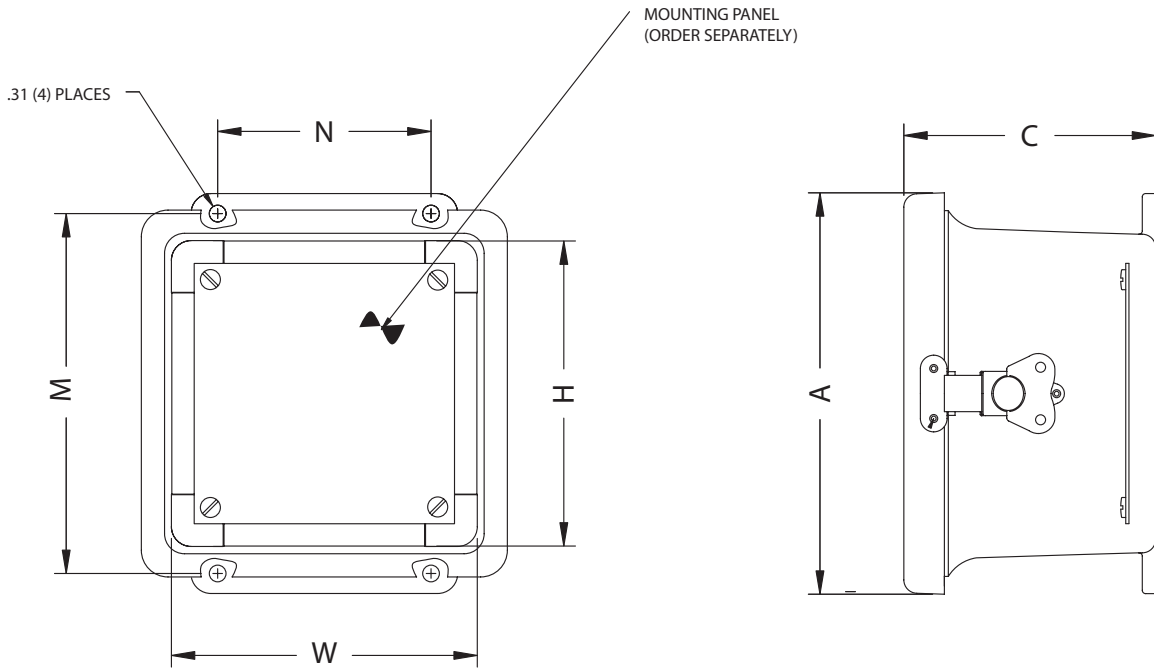
- Hot compression molded fiberglass reinforced polyester (thermoset)
- Non-corrosive and UV resistant
- Smooth surface, no color variations, swirls, or color pockets
- Non-flame propagating and chemical resistant

#### **CERTIFICATIONS**

- UL 50
- CSA Std 22.2 No. 94
- NEMA Type 1, 3, 4X, 6P, 12
- Temperature Range - 40° C to +120° C (-40° F to +250° F)
- Flammability Rating UL94-5V



# NEMA Type 4X



**FIBERGLASS**

Catalog #	Overall Dimensions			Inside Dimensions			Mounting Dimensions			Weight Lbs.	Panel Cat #	Panel Dim.	
	A	B	C	H	W	D	M	N	P				
N4X-FG-060404CHTL	7.50	5.43	4.75	5.84	3.85	4.45	6.75	2.00	4.00	2.50 lbs.	BP64A	4.88	2.88
N4X-FG-060604CHTL	7.50	7.50	4.75	5.72	5.72	4.45	6.75	4.00	4.00	2.75 lbs.	BP66A	4.88	4.88
N4X-FG-080604CHTL	9.62	7.50	4.74	7.73	5.74	4.45	8.88	4.00	4.00	3.50 lbs.	BP86A	6.88	4.88
N4X-FG-080804CHTL	9.56	9.38	4.89	7.73	7.73	4.64	8.75	6.00	4.06	4.00 lbs.	BP88A	6.88	6.88
N4X-FG-100804CHTL	11.62	9.41	4.25	9.73	7.73	3.98	10.75	6.00	3.50	5.00 lbs.	BP108A	8.88	6.88
N4X-FG-121005CHTL	13.56	11.43	5.21	11.79	9.80	4.94	12.75	8.00	4.50	6.50 lbs.	BP1210A	10.88	8.88
N4X-FG-121206CHTL	13.56	13.38	6.36	11.70	11.70	6.11	12.75	10.00	5.53	3.20 lbs.	BP1212A	10.88	10.88
N4X-FG-140706CHTL	15.87	8.75	6.81	14.00	7.00	6.56	15.00	5.00	6.12	6.25 lbs.	BP147A	12.88	5.88
N4X-FG-141206CHTL	15.50	13.50	6.25	13.53	11.55	5.94	14.62	10.00	5.37	8.50 lbs.	BP1412A	12.88	10.88
N4X-FG-161406CHTL	17.53	15.46	6.23	15.63	13.60	5.94	16.75	12.00	5.36	11.50 lbs.	BP1614A	14.88	12.88
N4X-FG-181608CHTL	19.62	17.61	8.82	17.69	15.69	8.45	18.88	12.00	7.99	19.25 lbs.	BP1816A	16.88	14.88
N4X-FG-201608CHTL	22.00	17.68	8.83	19.72	15.72	8.45	21.25	10.00	8.00	20.25 lbs.	BP2016A	18.88	14.88

All measurements are in inches

# NEMA Type 4X

## Quick Release Latch Fiberglass Enclosures

### Raised Cover

#### **STANDARD FEATURES**

- Eleven standard sizes available
- Padlock quick release latch for quick entry
- Raised cover for additional usable depth
- Full length stainless steel hinged cover
- Integral mounting flange
- Cover opens full 180°+
- Mounting bosses with threaded brass inserts for mounting panel installation
- Poured polyurethane gasket provides water-tight, dust-tight seal
- Light weight and impact resistant

#### **DESIGN OPTIONS**

- Mounting panels
- Drilled entries and cut-outs available
- Molded in custom colors
- Silk screening, paint, and decals

#### **MATERIAL**

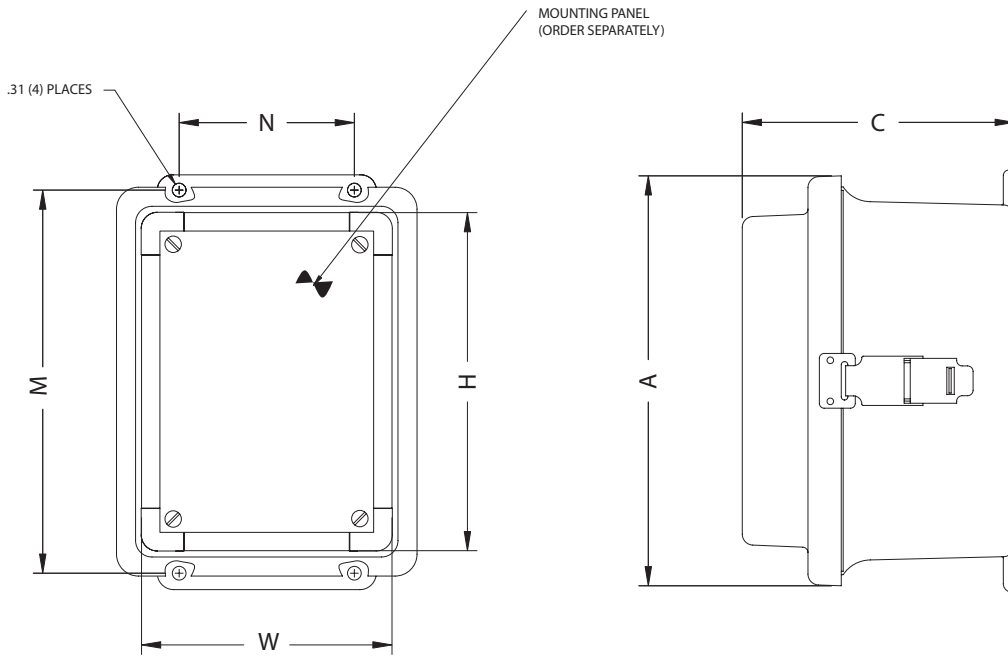
- Hot compression molded fiberglass reinforced polyester (thermoset)
- Non-corrosive and UV resistant
- Smooth surface, no color variations, swirls, or color pockets
- Non-flame propagating and chemical resistant
- Color described as Light Gray

#### **CERTIFICATIONS**

- UL 50
- CSA Std 22.2 No. 94
- NEMA Type 1, 3, 4X, 6P, 12
- Temperature Range - 40° C to +120° C (-40° F to +250° F)
- Flammability Rating UL94-5V



# NEMA Type 4X



Fiberglass

### FIBERGLASS

Catalog #	Overall Dimensions			Inside Dimensions			Mounting Dimensions			Weight Lbs.	Panel Cat #	Panel Dim.	
	A	B	C	H	W	D	M	N	P				
N4X-FG-060404RCHQR	7.50	5.47	6.22	5.84	3.85	5.95	6.75	2.00	5.49	2.50 lbs.	BP64A	4.88	2.88
N4X-FG-060604RCHQR	7.50	7.52	6.22	5.72	5.72	5.95	6.75	4.00	5.49	2.75 lbs.	BP66A	4.88	4.88
N4X-FG-080604RCHQR	9.62	7.46	6.22	7.73	5.74	5.95	8.88	4.00	5.49	3.50 lbs.	BP86A	6.88	4.88
N4X-FG-080804RCHQR	9.56	9.38	6.26	7.73	7.73	6.01	8.75	6.00	5.43	4.00 lbs.	BP88A	6.88	6.88
N4X-FG-100804RCHQR	11.62	9.37	6.61	9.73	7.73	6.36	10.75	6.00	5.91	5.00 lbs.	BP108A	8.88	6.88
N4X-FG-121005RCHQR	13.56	11.43	6.61	11.79	9.80	6.32	12.75	8.00	5.87	6.50 lbs.	BP1210A	10.88	8.88
N4X-FG-121206RCHQR	13.56	13.38	7.73	11.70	11.70	7.48	12.75	10.00	6.90	6.50 lbs.	BP1212A	10.88	10.88
N4X-FG-141206RCHQR	15.50	13.50	7.69	13.53	11.55	7.45	14.62	10.00	6.87	8.50 lbs.	BP1412A	12.88	10.88
N4X-FG-161406RCHQR	17.53	15.46	7.71	15.63	13.60	7.45	16.75	12.00	6.87	11.50 lbs.	BP1614A	14.88	12.88
N4X-FG-181608RCHQR	19.62	17.61	10.62	17.69	15.69	10.31	18.88	12.00	9.86	19.25 lbs.	BP1816A	16.88	14.88
N4X-FG-201608RCHQR	22.00	17.68	10.64	19.72	15.72	10.33	21.25	10.00	9.87	20.25 lbs.	BP2016A	18.88	14.88

All measurements are in inches

# NEMA Type 4X

## Twist Latch Fiberglass Enclosures

### Raised Cover

Fiberglass

#### **STANDARD FEATURES**

- Eleven standard sizes available
- Twist latch for quick entry
- Raised cover for additional usable depth
- Full length stainless steel hinged cover
- Integral mounting flange
- Cover opens full 180°+
- Mounting bosses with threaded brass inserts for mounting panel installation
- Poured polyurethane gasket provides water-tight, dust-tight seal
- Light weight and impact resistant

#### **DESIGN OPTIONS**

- Mounting panels
- Drilled entries and cut-outs available
- Molded in custom colors
- Silk screening, paint, and decals

#### **MATERIAL**

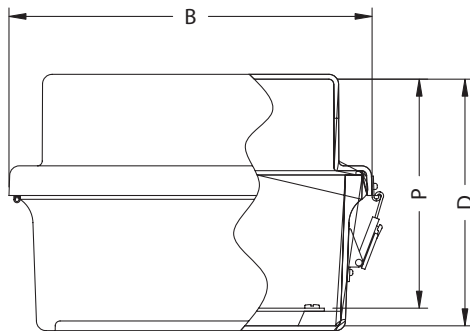
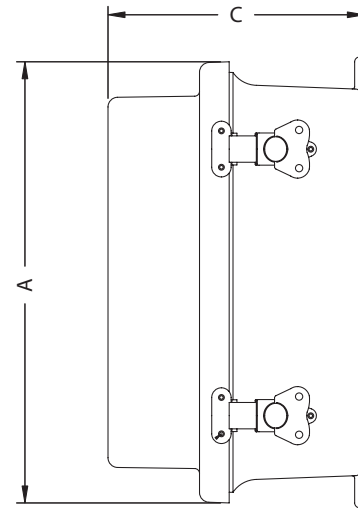
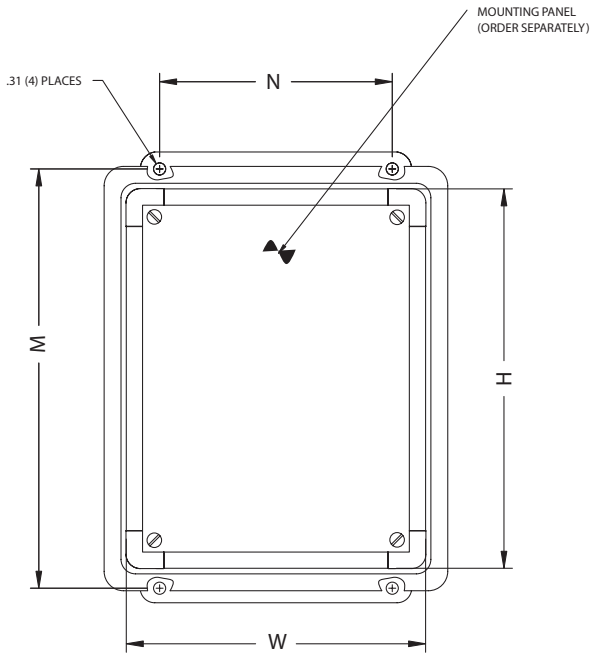
- Hot compression molded fiberglass reinforced polyester (thermoset)
- Non-corrosive and UV resistant
- Smooth surface, no color variations, swirls, or color pockets
- Non-flame propagating and chemical resistant
- Color described as Light Gray

#### **CERTIFICATIONS**

- UL 50
- CSA Std 22.2 No. 94
- NEMA Type 1, 3, 4X, 6P, 12
- Temperature Range - 40° C to +120° C (-40° F to +250° F)
- Flammability Rating UL94-5V



# NEMA Type 4X



## FIBERGLASS

Catalog #	Overall Dimensions			Inside Dimensions			Mounting Dimensions			Weight	Panel Cat #	Panel Dim.	
	A	B	C	H	W	D	M	N	P			Lbs.	
N4X-FG-060404RCHTL	7.50	5.47	6.22	5.84	3.85	5.95	6.75	2.00	5.49	2.50 lbs.	BP64A	4.88	2.88
N4X-FG-060604RCHTL	7.50	7.52	6.22	5.72	5.72	5.95	6.75	4.00	5.49	2.75 lbs.	BP66A	4.88	4.88
N4X-FG-080604RCHTL	9.62	7.46	6.22	7.73	5.74	5.95	8.88	4.00	5.49	3.50 lbs.	BP86A	6.88	4.88
N4X-FG-080804RCHTL	9.56	9.38	6.26	7.73	7.73	6.01	8.75	6.00	5.43	4.00 lbs.	BP88A	6.88	6.88
N4X-FG-100804RCHTL	11.62	9.37	6.61	9.73	7.73	6.36	10.75	6.00	5.91	5.00 lbs.	BP108A	8.88	6.88
N4X-FG-121005RCHTL	13.56	11.43	6.61	11.79	9.80	6.32	12.75	8.00	5.87	6.50 lbs.	BP1210A	10.88	8.88
N4X-FG-121206RCHTL	13.56	13.38	7.73	11.70	11.70	7.48	12.75	10.00	6.90	6.50 lbs.	BP1212A	10.88	10.88
N4X-FG-141206RCHTL	15.50	13.50	7.69	13.53	11.55	7.45	14.62	10.00	6.87	8.50 lbs.	BP1412A	12.88	10.88
N4X-FG-161406RCHTL	17.53	15.46	7.71	15.63	13.60	7.45	16.75	12.00	6.87	11.50 lbs.	BP1614A	14.88	12.88
N4X-FG-181608RCHTL	19.62	17.61	10.62	17.69	15.69	10.31	18.88	12.00	9.86	19.25 lbs.	BP1816A	16.88	14.88
N4X-FG-201608RCHTL	22.00	17.68	10.64	19.72	15.72	10.33	21.25	10.00	9.87	20.25 lbs.	BP2016A	18.88	14.88

All measurements are in inches

# NEMA Type 4X

## Large Control Fiberglass Enclosures

### **STANDARD FEATURES**

- Ten standard sizes available
- Twist latch for quick entry
- Raised cover for additional usable depth
- Stainless steel hinged cover
- Integral mounting flange
- Built in padlock hasp
- Mounting bosses with threaded brass inserts for mounting panel installation
- Poured polyurethane gasket provides water-tight, dust-tight seal
- Light weight and impact resistant

### **DESIGN OPTIONS**

- Mounting panels
- Drilled entries and cut-outs available
- Molded in custom colors
- Silk screening, paint, and decals

### **MATERIAL**

- Hot compression molded fiberglass reinforced polyester (thermoset)
- Non-corrosive and UV resistant
- Smooth surface, no color variations, swirls, or color pockets
- Non-flame propagating and chemical resistant
- Color described as Light Gray

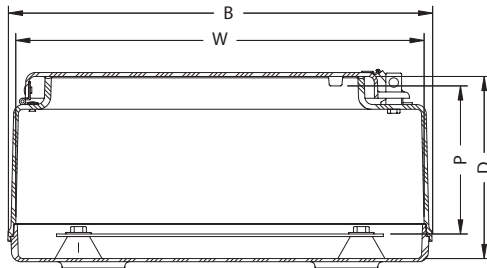
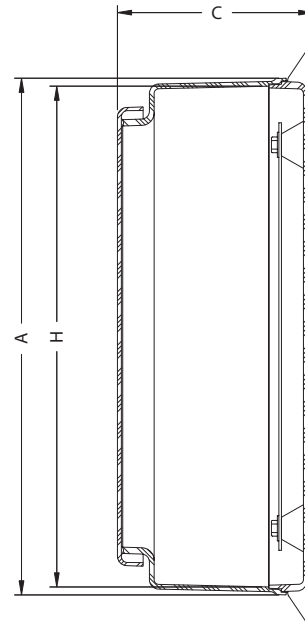
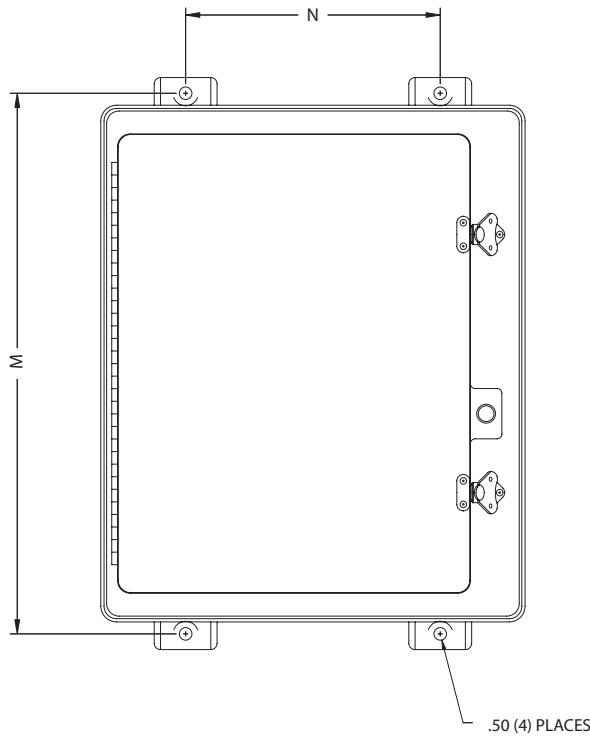
### **CERTIFICATIONS**

- UL 50
- CSA Std 22.2 No. 94
- NEMA Type 1, 3, 4X, 6P, 12
- Temperature Range - 40° C to +120° C (-40° F to +250° F)
- Flammability Rating UL94-5V





# NEMA Type 4X



## FIBERGLASS

	A	B	C	H	W	D	M	N	P	Lbs.		
N4X-FG-201606CH	22.75	16.87	7.77	19.70	16.04	7.24	21.50	10.12	6.26	17 lbs.	BPN2016A	17.00 13.00
N4X-FG-201608CH	22.75	16.87	9.77	19.70	16.04	9.24	21.50	10.12	8.26	22 lbs.	BPN2016A	17.00 13.00
N4X-FG-201612CH	22.75	16.87	13.77	19.70	16.04	13.24	21.50	10.12	12.26	24 lbs.	BPN2016A	17.00 13.00
N4X-FG-242008CH	27.00	21.24	9.90	24.05	20.39	9.25	25.75	14.00	8.25	32 lbs.	BP2420A	21.00 17.00
N4X-FG-242410CH	27.00	25.24	11.90	24.05	24.39	11.25	25.75	17.87	10.25	42 lbs.	BP2424A	21.00 21.00
N4X-FG-302410CH	33.41	26.32	11.95	30.46	25.47	11.27	32.25	18.50	10.27	50 lbs.	BP3024A	27.00 21.00
N4X-FG-302412CH	33.41	26.32	13.79	30.46	25.47	13.10	32.25	18.50	12.10	54 lbs.	BP3024A	27.00 21.00
N4X-FG-363010CH	39.31	32.50	12.05	36.31	31.69	11.36	38.13	23.88	10.36	78 lbs.	BP3630A	33.00 27.00
N4X-FG-363012CH	39.31	32.50	14.05	36.31	31.69	13.36	38.13	23.88	12.36	81 lbs.	BP3630A	33.00 27.00
N4X-FG-483616CH	51.29	36.62	17.93	48.33	36.22	17.25	50.12	29.25	16.25	108 lbs.	BP4836A	45.00 33.00

All measurements are in inches

# NEMA Type 4X

## Premier Series

### STANDARD FEATURES

- Ten standard sizes available in clear and opaque covers
- Interchangeable covers with various hardware options
- Panel management provisions
- Stainless steel hinged cover
- Integral mounting flange
- Cover opens full 180°+
- Poured polyurethane gasket provides water-tight, dust-tight seal
- Light weight and impact resistant

### DESIGN OPTIONS

- Mounting panels
- Drilled entries and cut-outs available
- Mounting foot kit
- Molded in custom colors
- Silk screening, paint, and decals

### MATERIAL

- Hot compression molded fiberglass reinforced polyester
- Non-corrosive and UV resistant
- Smooth surface, no color variations, swirls, or color pockets
- Non-flame propagating and chemical resistant
- Color described as Light Gray

### CERTIFICATIONS

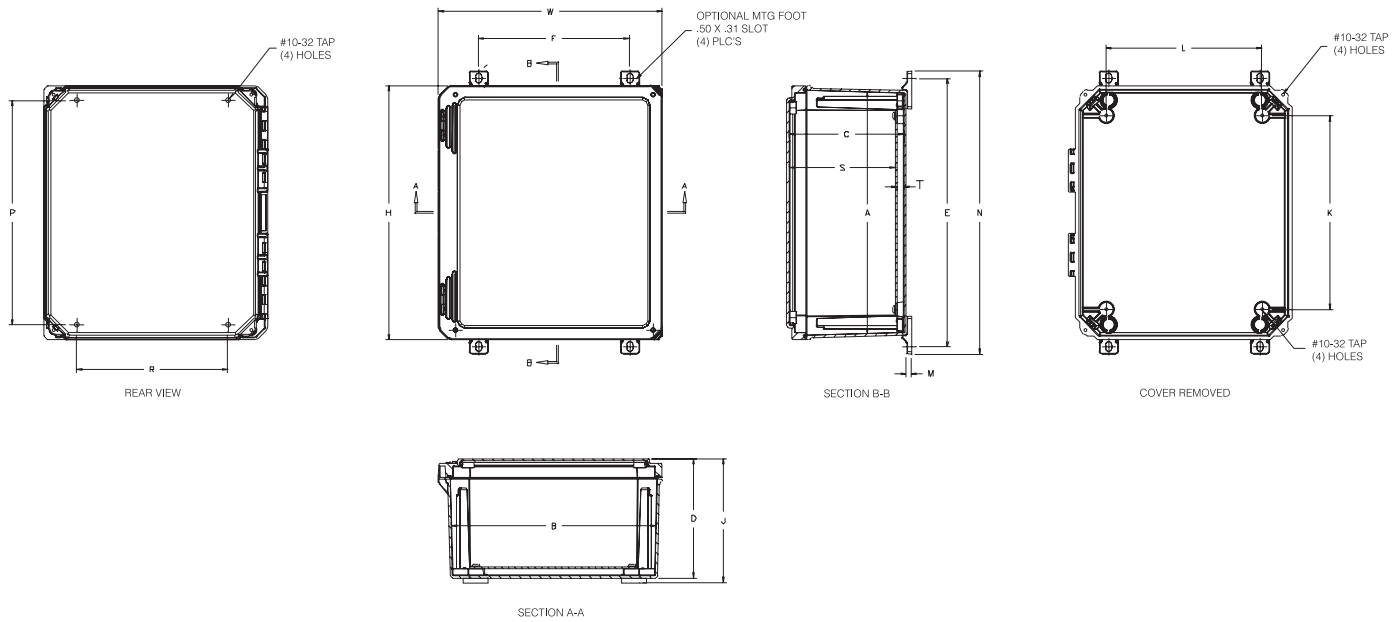
- UL 50
- CSA Std 22.2 No. 94
- NEMA Type 1, 3, 4X, 12, 13
- Temperature Range - 40° C to +120° C (-40° F to +250° F)
- Flammability Rating UL94-5V



Opaque Cover



Window Cover



**FIBERGLASS - OPAQUE COVER**

Catalog #			Overall Dimensions			Inside Dimensions			Mounting Dimensions			Weight	Panel Cat #
4 Cover Screws	Hinged - 2 Cover Screws	Hinged-2 Quick Release Latches	A	B	C	H	W	D	M	N	P	Lbs.	
N4X-PFG-060604SC	N4X-PFG-060604CHSC	N4X-PFG-060604CHQR	7.41	7.79	4.31	6.77	6.77	4.06	8.24	4	3.6	2.5 lbs.	BP66A
N4X-PFG-080604SC	N4X-PFG-080604CHSC	N4X-PFG-080604CHQR	9.41	7.79	4.31	8.77	6.77	4.06	10.21	4	3.6	3 lbs.	BP86A
N4X-PFG-080804SC	N4X-PFG-080804CHSC	N4X-PFG-080804CHQR	9.39	9.76	4.31	8.74	8.74	4.06	10.21	6	3.6	3.5 lbs.	BP88A
N4X-PFG-100806SC	N4X-PFG-100806CHSC	N4X-PFG-100806CHQR	11.42	9.79	6.31	10.73	8.73	6.06	12.19	6	5.6	4.5 lbs.	BP1008A
N4X-PFG-121006SC	N4X-PFG-121006CHSC	N4X-PFG-121006CHQR	13.45	11.83	6.31	12.69	10.69	6.06	14.18	8	5.6	6 lbs.	BP1210A
N4X-PFG-141206SC	N4X-PFG-141206CHSC	N4X-PFG-141206CHQR	15.49	13.86	6.34	14.72	12.72	6.06	16.21	10	5.6	8 lbs.	BP1412A
N4X-PFG-141208SC	N4X-PFG-141208CHSC	N4X-PFG-141208CHQR	15.49	13.86	8.34	14.66	12.66	8.06	16.19	10	7.6	9.5 lbs.	BP1412A
N4X-PFG-161408SC	N4X-PFG-161408CHSC	N4X-PFG-161408CHQR	17.58	15.96	8.34	16.69	14.69	8.06	18.26	12	7.6	11.5 lbs.	BP1614A
N4X-PFG-181610SC	N4X-PFG-181610CHSC	N4X-PFG-181610CHQR	19.77	18.15	10.34	18.63	16.63	10.06	20.24	14	9.6	16 lbs.	BP1816A
N4X-PFG-201610SC	N4X-PFG-201610CHSC	N4X-PFG-201610CHQR	21.79	18.16	10.34	20.63	16.63	10.06	22.26	14	9.6	17.5 lbs.	BP2016A

**FIBERGLASS - CLEAR COVER**

Catalog #		Overall Dimensions			Inside Dimensions			Mounting Dimensions			Weight	Panel Cat #
Hinged - 2 Cover Screws	Hinged - Quick Release Latch	A	B	C	H	W	D	M	N	P	Lbs.	
N4X-PFG-060604CHSC-CC	N4X-PFG-060604CHQR-CC	7.41	7.79	4.31	6.77	6.77	4.06	8.24	4	3.6	2.5 lbs.	BP66A
N4X-PFG-080604CHSC-CC	N4X-PFG-080604CHQR-CC	9.41	7.79	4.31	8.77	6.77	4.06	10.21	4	3.6	3 lbs.	BP86A
N4X-PFG-080804CHSC-CC	N4X-PFG-080804CHQR-CC	9.39	9.76	4.31	8.74	8.74	4.06	10.21	6	3.6	3.5 lbs.	BP88A
N4X-PFG-100806CHSC-CC	N4X-PFG-100806CHQR-CC	11.42	9.79	6.31	10.73	8.73	6.06	12.19	6	5.6	4.5 lbs.	BP1008A
N4X-PFG-121006CHSC-CC	N4X-PFG-121006CHQR-CC	13.45	11.83	6.31	12.69	10.69	6.06	14.18	8	5.6	6 lbs.	BP1210A
N4X-PFG-141206CHSC-CC	N4X-PFG-141206CHQR-CC	15.49	13.86	6.34	14.72	12.72	6.06	16.21	10	5.6	8 lbs.	BP1412A
N4X-PFG-141208CHSC-CC	N4X-PFG-141208CHQR-CC	15.49	13.86	8.34	14.66	12.66	8.06	16.19	10	7.6	9.5 lbs.	BP1412A
N4X-PFG-161408CHSC-CC	N4X-PFG-161408CHQR-CC	17.58	15.96	8.34	16.69	14.69	8.06	18.26	12	7.6	11.5 lbs.	BP1614A
N4X-PFG-181610CHSC-CC	N4X-PFG-181610CHQR-CC	19.77	18.15	10.34	18.63	16.63	10.06	20.24	14	9.6	16 lbs.	BP1816A
N4X-PFG-201610CHSC-CC	N4X-PFG-201610CHQR-CC	21.79	18.16	10.34	20.63	16.63	10.06	22.26	14	9.6	17.5 lbs.	BP2016A

All measurements are in inches

# NEMA Type 4X

## Window Series

### STANDARD FEATURES

- Thirteen standard sizes available in screw cover, hinged quick release or latch cover
- Flush mount acrylic window
- Pan head stainless steel cover screws
- Full length stainless steel hinged cover
- Integral mounting flange
- Cover opens full 180°+
- Mounting bosses with threaded brass inserts for mounting panel installation
- Poured polyurethane gasket provides water-tight, dust-tight seal
- Light weight and impact resistant

### DESIGN OPTIONS

- Mounting panels
- Drilled entries and cut-outs available
- Molded in custom colors
- Silk screening, paint, and decals

### MATERIAL

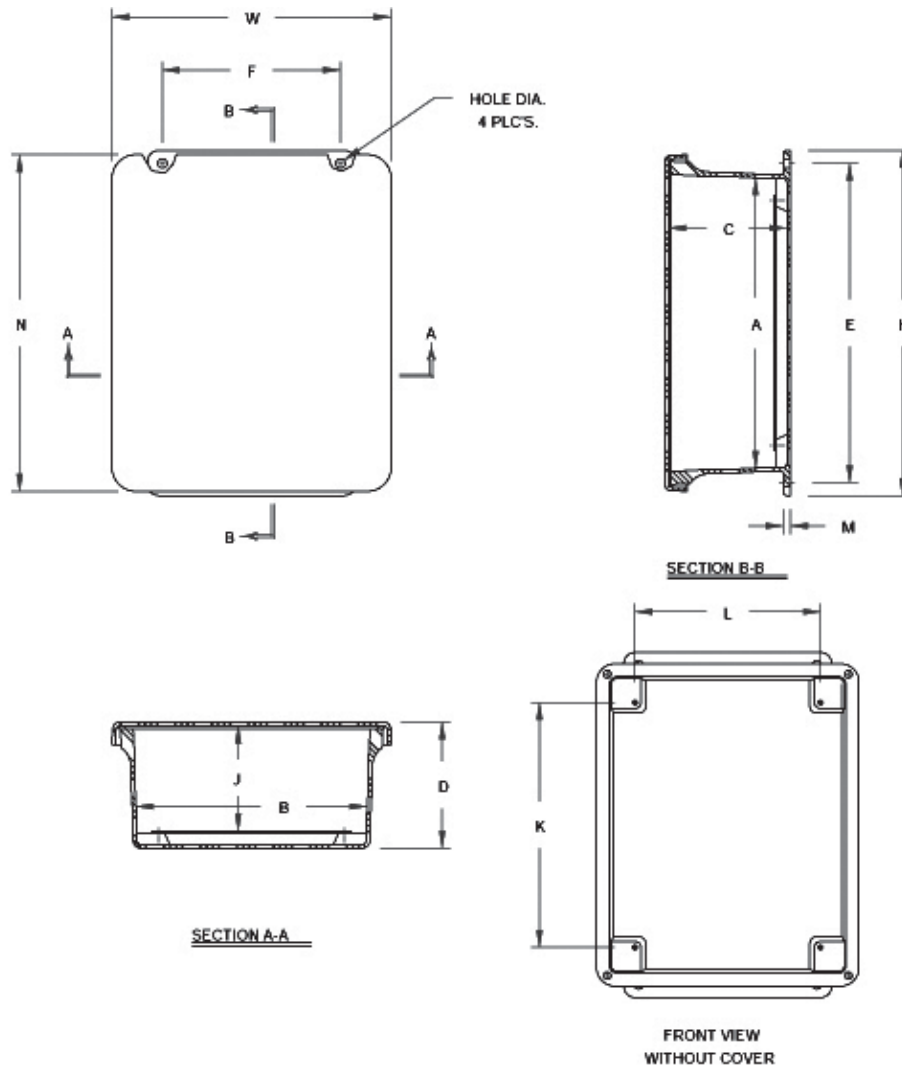
- Hot compression molded fiberglass reinforced polyester (thermoset)
- Non-corrosive and UV resistant
- Smooth surface, no color variations, swirls, or color pockets
- Non-flame propagating and chemical resistant
- Color described as Light Gray

### CERTIFICATIONS

- UL 50
- CSA Std 22.2 No. 94
- NEMA Type 1, 2, 4X, 6P, 12
- Temperature Range - 40° C to +120° C (-40° F to +250° F)
- Flammability Rating UL94-5V



# NEMA Type 4X



**FIBERGLASS - WITH WINDOW**

Catalog #			Overall Dimensions			Inside Dimensions			Mounting Dimensions			Weight	Panel Cat #
Screw Cover	Screw Cover w/Window	Hinged Twist Latch	A	B	C	H	W	D	M	N	P	Lbs.	
N4X-FG-060404CHSCW	N4X-FG-060404CHQRW	N4X-FG-060404CHTLW	7.50	5.43	4.75	5.84	3.85	4.45	6.75	2	4	2.5 lbs.	BP64A
N4X-FG-060604CHSCW	N4X-FG-060604CHQRW	N4X-FG-060604CHTLW	7.50	7.50	4.75	5.72	5.72	4.45	6.75	4	4	2.75 lbs.	BP66A
N4X-FG-080604CHSCW	N4X-FG-080604CHQRW	N4X-FG-080604CHTLW	9.62	7.50	4.74	7.73	5.74	4.45	8.88	4	4	3.5 lbs.	BP86A
N4X-FG-080804CHSCW	N4X-FG-080804CHQRW	N4X-FG-080804CHTLW	9.56	9.47	5.09	7.73	7.73	7.82	8.75	6	4.24	3.5 lbs.	BP88A
N4X-FG-100804CHSCW	N4X-FG-100804CHQRW	N4X-FG-100804CHTLW	11.62	9.41	4.25	9.73	7.73	3.98	10.75	6	3.50	5 lbs.	BP108A
N4X-FG-100805CHSCW*	N4X-FG-100805CHQRW*	N4X-FG-100805CHTLW*	11.62	9.37	5.06	9.73	7.73	4.83	10.75	6	4.37	5 lbs.	BP108A
N4X-FG-121005CHSCW	N4X-FG-121005CHQRW	N4X-FG-121005CHTLW	13.56	11.43	5.21	11.79	9.8	4.94	12.75	8	4.50	6.5 lbs.	BP1210A
N4X-FG-121206CHSCW	N4X-FG-121206CHQRW	N4X-FG-121206CHTLW	13.56	13.47	6.56	11.70	11.70	6.29	12.75	10	5.71	6.5 lbs.	BP1212A
N4X-FG-140707CHSCW	N4X-FG-140707CHQRW	N4X-FG-140707CHTLW	15.87	8.75	6.81	14.0	7.00	6.56	15.00	5	6.12	6.25 lbs.	BP1407A
N4X-FG-141206CHSCW	N4X-FG-141206CHQRW	N4X-FG-141206CHTLW	15.50	13.5	6.25	13.53	11.55	5.94	14.62	10	5.37	8.5 lbs.	BP1412A
N4X-FG-161406CHSCW	N4X-FG-161406CHQRW	N4X-FG-161406CHTLW	17.53	15.46	6.23	15.63	13.6	5.94	16.75	12	5.36	11.5 lbs.	BP1614A
N4X-FG-181608CHSCW	N4X-FG-181608CHQRW	N4X-FG-181608CHTLW	19.62	17.61	8.82	17.69	15.69	8.45	18.88	12	7.99	19.25 lbs.	BP1816A

\*Crowned cover – center of cover raised 3/4"

All measurements are in inches

# NEMA Type 4X

## XD (Extra Deep) Series

Fiberglass

### **STANDARD FEATURES**

- Ten standard sizes available
- Clamshell design with latch in middle allows extra depth
- Twist latch cover
- Full length stainless steel hinged cover
- Integral mounting flange
- Cover opens full 180°+
- Mounting bosses with threaded brass inserts for mounting panel installation
- Poured polyurethane gasket provides water-tight, dust-tight seal
- Light weight and impact resistant

### **DESIGN OPTIONS**

- Mounting panels
- Drilled entries and cut-outs available
- Molded in custom colors
- Silk screening, paint, and decals

### **MATERIAL**

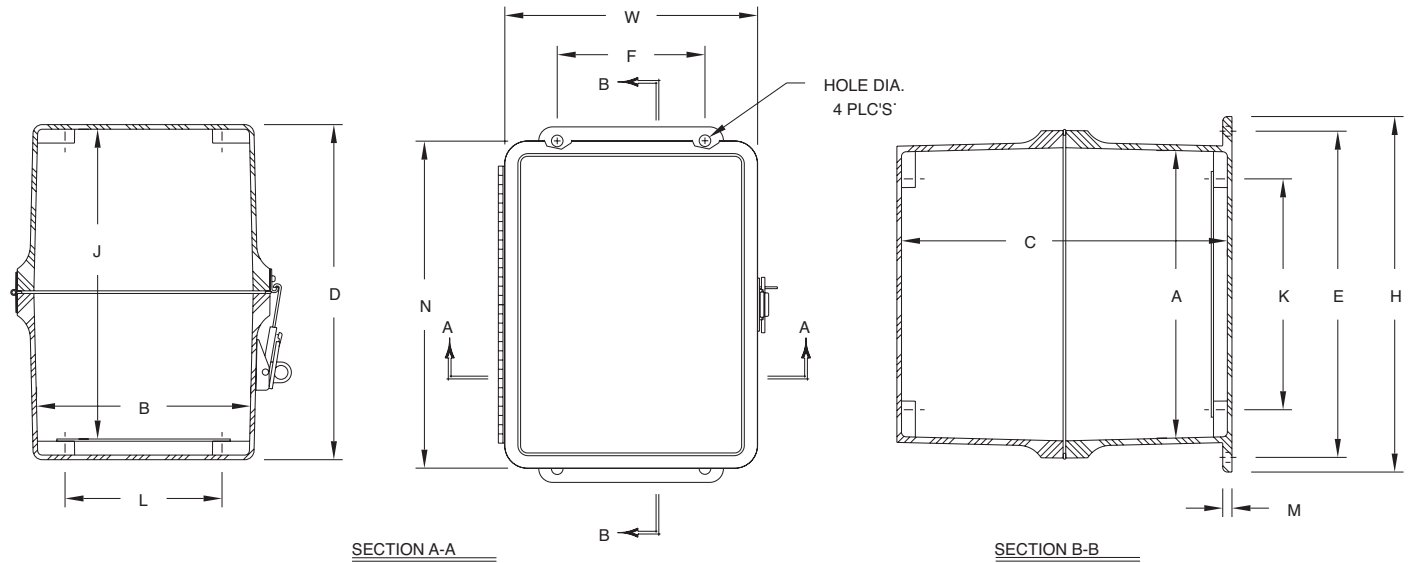
- Hot compression molded fiberglass reinforced polyester
- Non-corrosive and UV resistant
- Smooth surface, no color variations, swirls, or color pockets
- Non-flame propagating and chemical resistant
- Color described as Light Gray

### **CERTIFICATIONS**

- UL 50
- CSA Std 22.2 No. 94
- NEMA Type 1, 3, 4X, 12
- Temperature Range - 40° C to +120° C (-40° F to +250° F)
- Flammability Rating UL94-5V



# NEMA Type 4X



Fiberglass

### FIBERGLASS - EXTRA DEEP

Catalog #	Overall Dimensions			Inside Dimensions			Mounting Dimensions			Weight Lbs.	Panel Cat #
	A	B	C	H	W	D	M	N	P		
N4X-FG-060608XD	7.5	6.88	9.07	5.72	5.72	8.69	6.75	4	8.23	4.25lbs.	BP66A
N4X-FG-080608XD	9.62	6.84	9.07	7.73	5.74	8.69	8.88	4	8.23	4.25 lbs.	BP86A
N4X-FG-080810XD	9.56	8.84	9.43	7.73	7.73	9.06	8.75	6	8.48	6.25 lbs.	BP88A
N4X-FG-100808XD	11.62	8.81	8.09	9.73	7.73	7.84	10.75	6	7.39	6.25 lbs.	BP108A
N4X-FG-121010XD	13.56	10.83	10.06	11.79	9.8	9.69	12.75	8	9.24	8.25 lbs.	BP1210A
N4X-FG-121212XD	13.56	12.84	12.37	11.7	11.7	12	12.75	10	11.42	10.25 lbs.	BP1212A
N4X-FG-141212XD	15.5	12.83	12.06	13.5	11.55	11.7	14.62	10	11.11	10.25 lbs.	BP1412A
N4X-FG-161412XD	17.53	14.88	12.05	15.63	13.6	11.7	16.75	12	11.12	12.25 lbs.	BP1614A
N4X-FG-181617XD	19.62	16.91	17.19	17.69	15.69	16.63	18.88	12	16.17	14.25 lbs.	BP1816A
N4X-FG-201617XD	22	17	17.21	19.71	15.71	16.63	21.25	10	16.17	14.25 lbs.	BPJ2016A

All measurements are in inches

## Polycarbonate Series

### STANDARD FEATURES

- 11 standard sizes with opaque or clear cover designs
- Captive screws or quick release locking latch
- T-Rail mounting system for face plates, swing panels and layered back panels
- Threaded brass inserts for mounting panel and mounting feet installation
- Watertight gasket provides ingress protection against water and dirt
- Light weight and impact resistant

### DESIGN OPTIONS

- Mounting panels and swing panels
- Drilled entries and cut-outs
- Molded in custom colors
- Silk screening, paint, and decals
- Mounting feet or flanges
- Mounting panel suspension kit

### MATERIAL

- Engineered thermoplastic
- High impact resistant with tensile strength of 900 in/lbs.
- Non-corrosive and UV resistant
- Smooth surface, no color variations, swirls, or color pockets
- Non-flame propagating and chemical resistant
- Color is light gray with a high gloss finish

### CERTIFICATIONS



- UL / cUL 50
- NEMA Type 1, 3, 4X, 6P, (screw cover only), 12 and marine use
- IP68 (screw cover) / IP66 (locking latch)



N4XP-HLL Series



N4XP-HCLL Series



N4XP-S Series



N4XP-SC Series

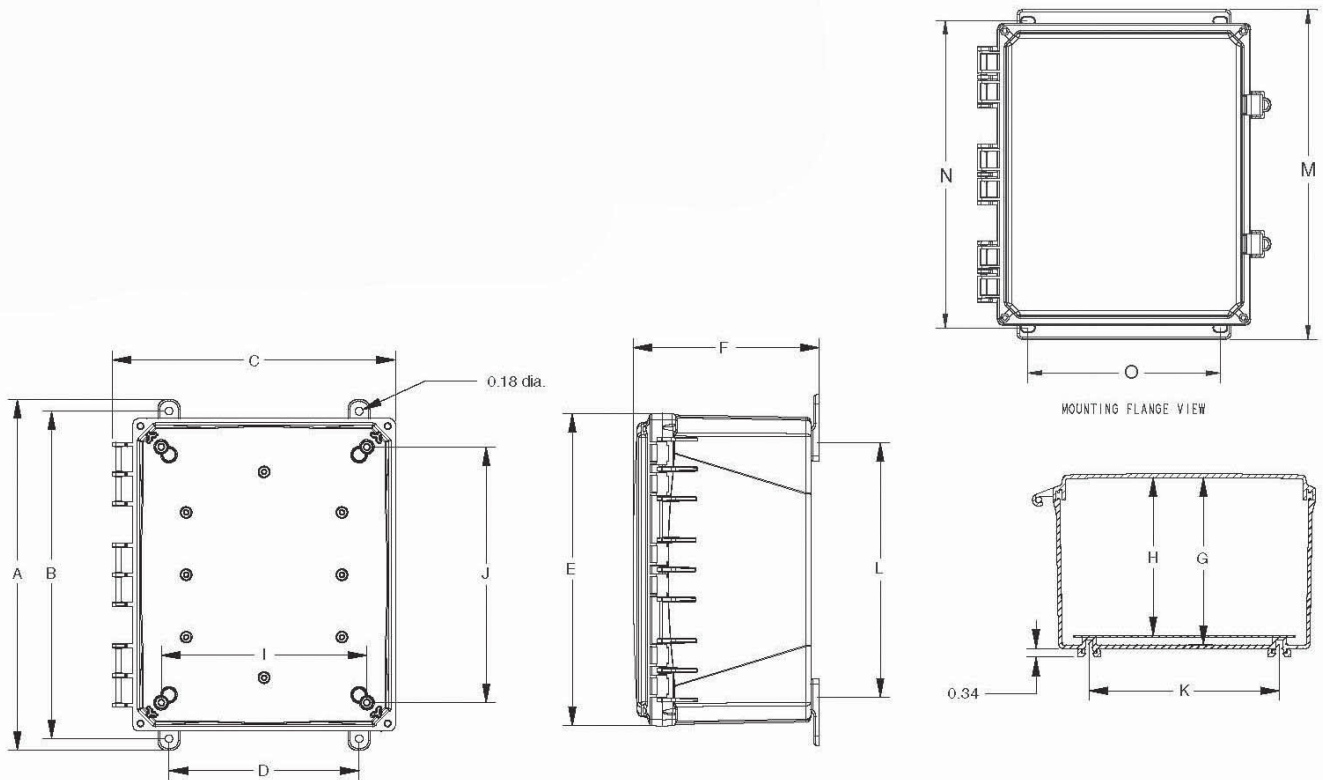


# Polycarbonate Series

## OPAQUE SCREW COVER

	lbs.	A	B	D	C	E	F	G	H	I x J	K.	M	N	O	Panel Size
N4XP-H060604S	2	8.00	7.10	3.60	6.50	6.50	5.20	4.75	4.25	4.25 x 4.25	3.60	7.69	6.75	3.98	4.88 x 4.88
N4XP-H080604S	2.5	9.75	9.37	8.44	6.44	8.44	5.20	4.75	4.25	4.25x6.25	4.00	9.69	8.75	3.98	6.75x4.88
N4XP-H080804S	3	9.70	11.43	8.40	8.50	8.40	5.20	4.75	4.25	6.25x6.25	5.25	10.06	9.12	6.00	6.75x6.75
N4XP-H100802S	3	12.69	11.10	10.50	8.50	10.50	3.30	2.66	9.94	6.25x8.25	5.63	11.69	10.75	6.00	8.75x6.75
N4XP-H100804S	3	12.25	11.10	10.50	8.50	10.50	5.20	4.75	4.25	6.25x8.25	5.63	11.69	10.75	6.00	8.75x6.88
N4XP-H100806S	3.5	12.00	11.10	10.50	8.50	10.50	7.25	6.75	6.25	6.25x8.25	5.63	11.69	10.75	6.00	8.75x6.88
N4XP-H121004S	4	14.00	12.75	12.50	11.50	12.50	5.20	4.75	4.25	8.25x10.25	8.00	13.82	12.88	8.00	10.75x8.88
N4XP-H121006S	4.5	14.00	13.13	12.50	10.50	12.50	7.25	6.75	6.25	8.25x10.25	7.60	13.69	12.75	8.00	10.75x8.88
N4XP-H141206S	6	15.75	14.75	14.58	12.58	14.58	7.30	6.75	6.25	10.25x12.25	10.00	16.95	16.01	9.88	12.75x10.88
N4XP-H161407S	8	17.63	16.75	16.50	14.50	16.50	8.50	8.00	7.50	12.25x14.25	12.00	17.59	16.65	12.13	14.75x12.88
N4XP-H181610S	13	19.56	18.75	19.00	17.00	19.00	11.50	11.00	10.50	14.25x16.25	14.00	19.71	18.77	14.16	16.75x14.88

Polycarbonate

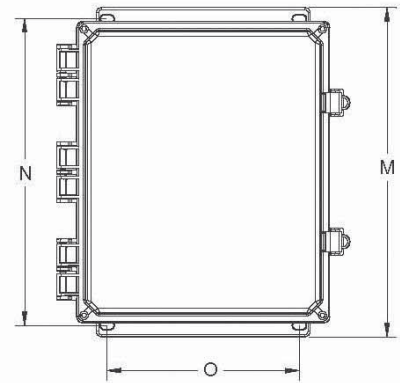
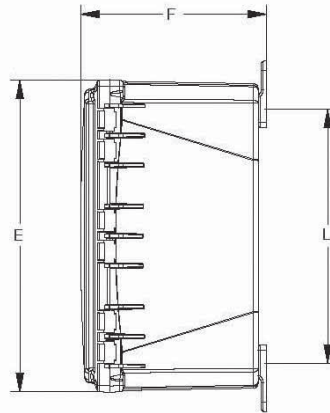
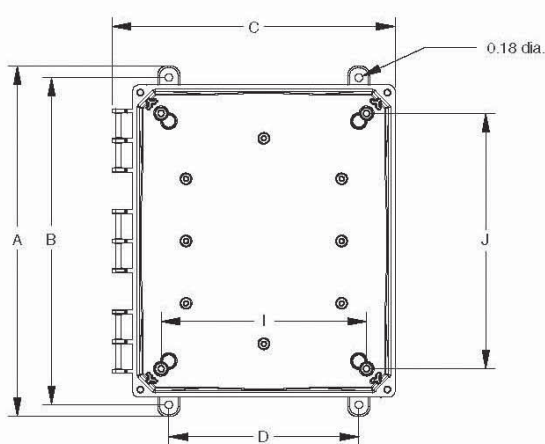


## Polycarbonate Series

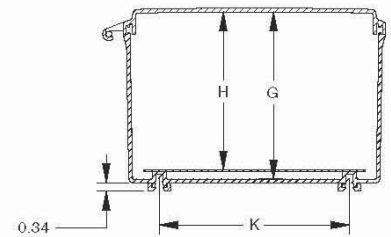
### OPAQUE HINGE COVER WITH LOCKING LATCH

Polycarbonate

Catalog #	With Mounting Feet									With Flange					Panel Size
	lbs.	A	B	D	C	E	F	G	H	I x J	K	M	N	O	
N4XP-H060604S	2	8.00	7.10	3.60	6.50	6.50	5.20	4.75	4.25	4.25 x 4.25	3.60	7.69	6.75	3.98	4.88 x 4.88
N4XP-H080604S	2.5	9.75	9.37	8.44	6.44	8.44	5.20	4.75	4.25	4.25x6.25	4.00	9.69	8.75	3.98	6.75x4.88
N4XP-H080804S	3	9.70	11.43	8.40	8.50	8.40	5.20	4.75	4.25	6.25x6.25	5.25	10.06	9.12	6.00	6.75x6.75
N4XP-H100802S	3	12.69	11.10	10.50	8.50	10.50	3.30	2.66	9.94	6.25x8.25	5.63	11.69	10.75	6.00	8.75x6.75
N4XP-H100804S	3	12.25	11.10	10.50	8.50	10.50	5.20	4.75	4.25	6.25x8.25	5.63	11.69	10.75	6.00	8.75x6.88
N4XP-H100806S	3.5	12.00	11.10	10.50	8.50	10.50	7.25	6.75	6.25	6.25x8.25	5.63	11.69	10.75	6.00	8.75x6.88
N4XP-H121004S	4	14.00	12.75	12.50	11.50	12.50	5.20	4.75	4.25	8.25x10.25	8.00	13.82	12.88	8.00	10.75x8.88
N4XP-H121006S	4.5	14.00	13.13	12.50	10.50	12.50	7.25	6.75	6.25	8.25x10.25	7.60	13.69	12.75	8.00	10.75x8.88
N4XP-H141206S	6	15.75	14.75	14.58	12.58	14.58	7.30	6.75	6.25	10.25x12.25	10.00	16.95	16.01	9.88	12.75x10.88
N4XP-H161407S	8	17.63	16.75	16.50	14.50	16.50	8.50	8.00	7.50	12.25x14.25	12.00	17.59	16.65	12.13	14.75x12.88
N4XP-H181610S	13	19.56	18.75	19.00	17.00	19.00	11.50	11.00	10.50	14.25x16.25	14.00	19.71	18.77	14.16	16.75x14.88



MOUNTING FLANGE VIEW

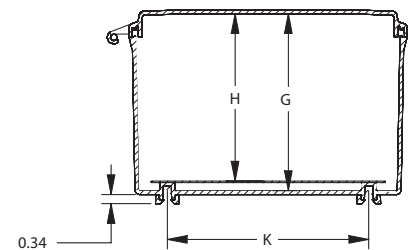
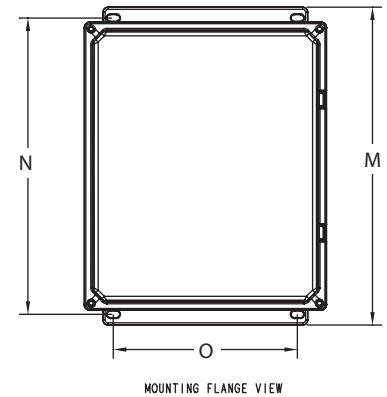
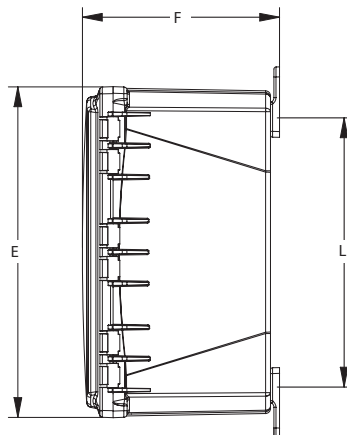
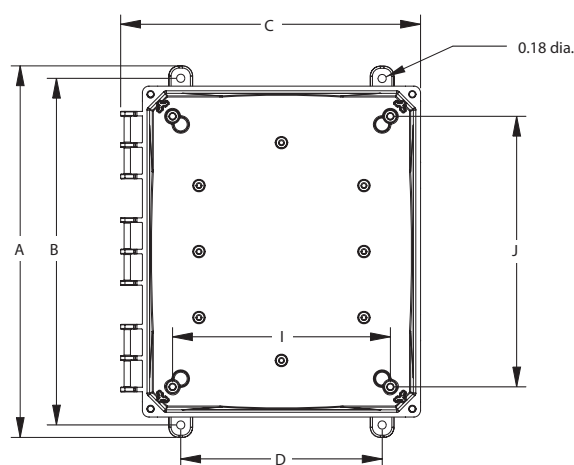


# Polycarbonate Series

## CLEAR SCREW COVER

Catalog #	Overall Dimensions			Inside Dimensions			Mounting Dimensions			Weight	Panel Cat #	Panel Dim.			
	lbs.	A	B	D	C	E	F	G	H			I x J	K	M	N
N4XP-H060604SC	2	8.00	7.10	3.60	7.40	6.50	5.20	4.75	4.25	4.25 x 4.25	3.60	7.69	6.75	3.98	4.88 x 4.88
N4XP-H080604SC	2.5	9.75	9.37	8.44	7.36	8.44	5.20	4.75	4.25	4.25x6.25	4.00	9.69	8.75	3.98	6.75x4.88
N4XP-H080804SC	3	9.70	11.43	8.40	9.30	8.40	5.20	4.75	4.25	6.25x6.25	5.63	10.06	9.12	6.00	6.75x6.75
N4XP-H100802SC	3	12.69	11.10	10.50	9.30	10.50	3.30	2.66	9.94	6.25x8.25	5.63	12.69	11.75	6.00	8.75x6.88
N4XP-H100804SC	3	12.25	11.10	10.50	9.30	10.50	5.20	4.75	4.25	6.25x8.25	5.63	11.69	10.75	6.00	8.75x6.88
N4XP-H100806SC	3.5	12.00	11.10	10.50	9.30	10.50	7.25	6.75	6.25	6.25x8.25	5.63	11.69	10.75	6.00	8.75x6.88
N4XP-H121004SC	4	14.00	12.75	12.50	11.50	12.50	5.20	4.75	4.25	8.25x10.25	8.00	13.82	12.88	8.00	10.75x8.88
N4XP-H121006SC	4.5	14.00	13.13	12.50	11.50	12.50	7.25	6.75	6.25	8.25x10.25	7.60	13.69	12.75	8.00	10.75x8.88
N4XP-H141206SC	6	15.75	14.75	14.58	13.50	14.58	7.30	6.75	6.25	10.25x12.25	10.00	16.95	16.01	9.88	12.75x10.88
N4XP-H161407SC	8	17.63	16.75	16.50	15.00	16.50	8.50	8.00	7.50	12.25x14.25	12.00	17.59	16.65	12.13	14.75x12.88
N4XP-H181610SC	13	19.56	18.75	19.00	17.75	19.00	11.50	11.00	10.50	14.25x16.25	14.00	19.71	18.77	14.16	16.75x14.88

Polycarbonate

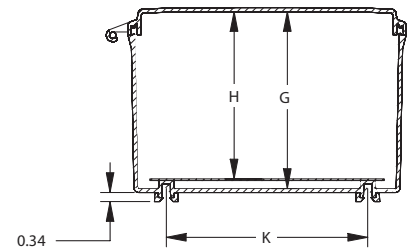
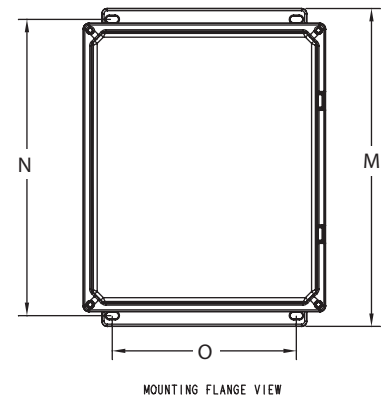
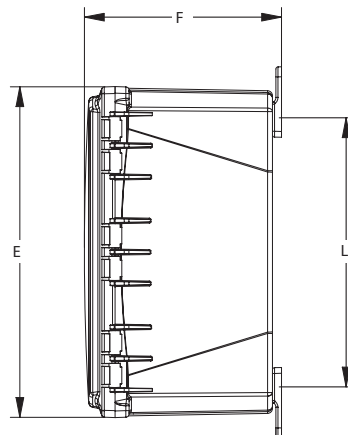
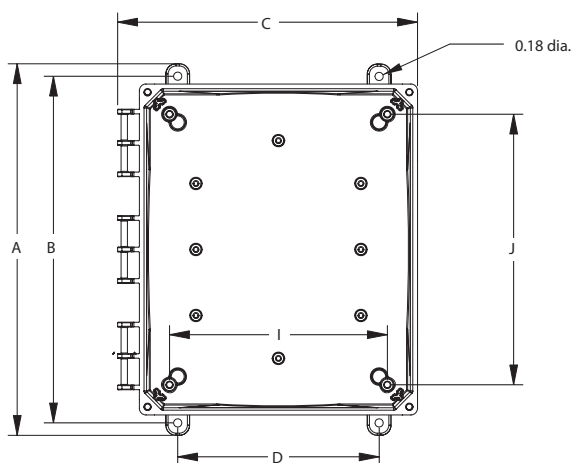


## Polycarbonate Series

### CLEAR HINGE COVER WITH LOCKING LATCH

Polycarbonate

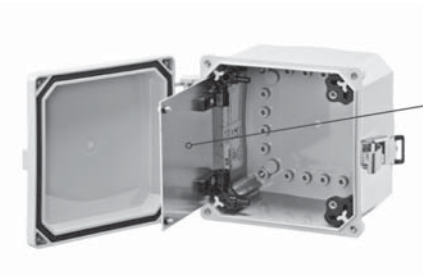
Catalog #	Overall Dimensions			Inside Dimensions			Mounting Dimensions			Weight	Panel Cat #	Panel Dim.				Panel Size
	lbs.	A	B	D	C	E	F	G	H			I x J	K	M	N	
N4XP-H060604HCLL	2	8.00	7.10	3.60	7.40	6.50	5.20	4.75	4.25	4.25 x 4.25	3.60	7.69	6.75	3.98	4.88 x 4.88	
N4XP-H080604HCLL	2.5	9.75	9.37	8.44	7.36	8.44	5.20	4.75	4.25	4.25x6.25	4.00	9.69	8.75	3.98	6.75x4.88	
N4XP-H080804HCLL	3	9.70	11.43	8.40	9.30	8.40	5.20	4.75	4.25	6.25x6.25	5.63	10.06	9.12	6.00	6.75x6.75	
N4XP-H100802HCLL	3	12.69	11.10	10.50	9.30	10.50	3.30	2.66	9.94	6.25x8.25	5.63	12.69	11.75	6.00	8.75x6.88	
N4XP-H100804HCLL	3	12.25	11.10	10.50	9.30	10.50	5.20	4.75	4.25	6.25x8.25	5.63	11.69	10.75	6.00	8.75x6.88	
N4XP-H100806HCLL	3.5	12.00	11.10	10.50	9.30	10.50	7.25	6.75	6.25	6.25x8.25	5.63	11.69	10.75	6.00	8.75x6.88	
N4XP-H121004HCLL	4	14.00	12.75	12.50	11.50	12.50	5.20	4.75	4.25	8.25x10.25	8.00	13.82	12.88	8.00	10.75x8.88	
N4XP-H121006HCLL	4.5	14.00	13.13	12.50	11.50	12.50	7.25	6.75	6.25	8.25x10.25	7.60	13.69	12.75	8.00	10.75x8.88	
N4XP-H141206HCLL	6	15.75	14.75	14.58	13.50	14.58	7.30	6.75	6.25	10.25x12.25	10.00	16.95	16.01	9.88	12.75x10.88	
N4XP-H161407HCLL	8	17.63	16.75	16.50	15.00	16.50	8.50	8.00	7.50	12.25x14.25	12.00	17.59	16.65	12.13	14.75x12.88	
N4XP-H181610HCLL	13	19.56	18.75	19.00	17.75	19.00	11.50	11.00	10.50	14.25x16.25	14.00	19.71	18.77	14.16	16.75x14.88	





Aluminum Back Panels

CATALOG NUMBER	DESCRIPTION	SIZE	WEIGHT (lbs.)
VABP66	Aluminum Panel for 6" x 6" enclosure	4.88"x4.88"	1
VABP86	Aluminum Panel for 8" x 6" enclosure	6.75"x4.88"	1
VABP88	Aluminum Panel for 8" x 8" enclosure	6.75"x6.75"	1
VABP66	Aluminum Panel for 10" x 8" enclosure	8.75"x6.88"	1
VABP108	Aluminum Panel for 12" x 8" enclosure	10.75"x8.88"	1
VABP1210	Aluminum Panel for 14" x 12" enclosure	12.75"x10.88"	2
VABP1412	Aluminum Panel for 16" x 14" enclosure	14.75"x12.88"	2
VABP1816	Aluminum Panel for 18" x 16" enclosure	16.75"x14.88"	3



Swing Panel Kits

CATALOG NUMBER	DESCRIPTION	SIZE
VABP-66SP/SOPK	Swing Panel Kit for 6" x 6" enclosure	4.88"x4.88"
VABP-66SP/SOPK	Swing Panel Kit for 8" x 6" enclosure	6.75"x4.88"
VABP-66SP/SOPK	Swing Panel Kit for 8" x 8" enclosure	6.75"x6.75"
VABP-66SP/SOPK	Swing Panel Kit for 10" x 8" enclosure	8.75"x6.88"
VABP-66SP/SOPK	Swing Panel Kit for 12" x 10" enclosure	10.75"x8.88"
VABP-66SP/SOPK	Swing Panel Kit for 14" x 12" enclosure	12.75"x10.88"
VABP-66SP/SOPK	Swing Panel Kit for 16" x 14" enclosure	14.75"x12.88"
VABP-66SP/SOPK	Swing Panel Kit for 18" x 16" enclosure	16.75"x14.88"



Back Panel Adjustment Kit

CATALOG NUMBER	DESCRIPTION
VBPAKB	Back Panel Adjustment Kit - Black
VBPAKG	Back Panel Adjustment Kit - Grey





**TAB**





# VH4X & VC4X SERIES

## Quarter Turn Latch Terminal Enclosures

### STANDARD FEATURES

- 13 standard sizes available
- Stainless steel quarter turn latch with 3mm double bit insert (includes key)
- Continuous one-piece water tight silicone gasket
- Lift off door hinges
- Painted steel mounting panel
- Ground stud on box and cover
- External earth stud
- Wall mounting feet (vertical or horizontal)

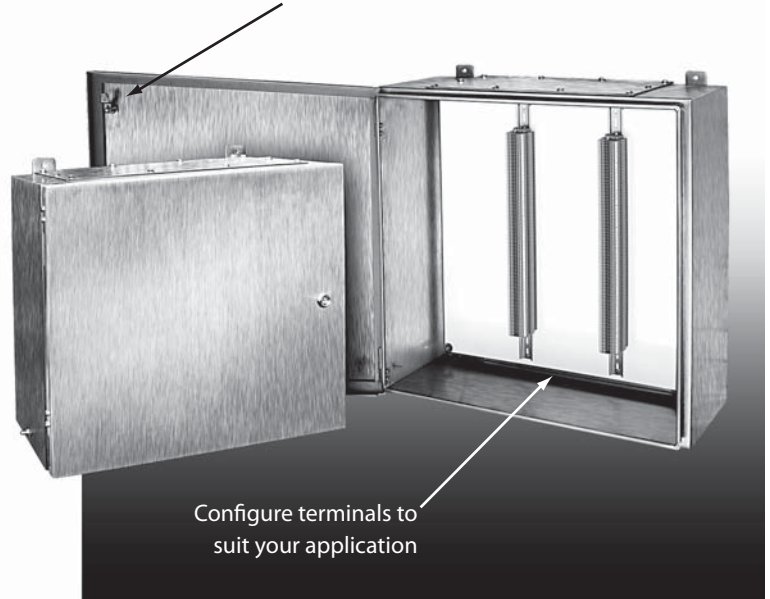
### DESIGN OPTIONS

- Gland plates (6" deep or greater) can be supplied pre-drilled or blank for field drilling
- Mounting panels
- Drilled entries and cut-outs
- Breather / drain
- Stopping plugs
- Terminal block assemblies
- Stainless steel mounting panels
- Cable glands and conduit fittings
- Internal earth bar
- Custom sizes

### MATERIAL

- Type 304 or 316L Stainless Steel
- Enclosure and cover constructed from 14 gauge (.075) stainless steel with #3/4 brush finish
- Gland plates constructed from 12 gauge (.1054) stainless steel with a #3/4 brush finish
- Silicone gasket constructed from 1/4" Bisco silicone with acrylic PSA
- Gland plate gasket constructed from 1/8" Bisco silicone with acrylic PSA

Ground stud on cover and box including an external earthing stud



Configure terminals to suit your application

### CERTIFICATIONS (POPULATED ENCLOSURE)

Class I, Division 2, Groups A, B, C, D  
 Class II, Division 2, Groups F, G  
 Class I, Zone 1, AEx e II T6 (T5 Tamb +55° C)  
 Ex e II T6 (T5 Tamb +55° C) X  
 Type 4X, 12, 13  
 CE 0539 Ex II 2 GD  
 IECEx UL 08.0012X  
 IECEx Ex e II T6 (T5 Tamb +55° C)  
 IECEx Ex tD A21 IP66 T200° C  
 Ex e II T6 (T5 Tamb +55° C)  
 Ex tD A21 IP66 T200° C  
 DEMKO 09 ATEX 0803119X

### CERTIFICATIONS (EMPTY ENCLOSURE)

Class I, Division 2, Groups A, B, C, D  
 Class II, Division 2, Groups F, G  
 Class I, Zone 1, AEx e II  
 Ex e II  
 Ex e II U  
 Types 4X, 12, 13  
 CE 0539 Ex II 2 GD  
 Ex e II  
 Ex tD A21 IP66  
 IECEx Ex e II  
 IECEx UL 09.0013U  
 IECEx Ex tD A21 IP66  
 DEMKO 01 ATEX 147278U



## VH4X Series

### **MATERIAL**

- Enclosure & Cover constructed of 14 ga. (.075) 316L stainless steel with 3/4 brush finish
- Optional Gland Plate constructed of 12 ga. (.1054) 316L stainless steel with 3/4 brush finish
- Gasket:  
Cover: 1/4" thick Bisco silicone with acrylic PSA  
Gland Plates: 1/8" thick Bisco silicone with acrylic PSA

### **OPTIONS**

- Optional Quarter Turn Inserts:
  - Slot
  - 8MM Hex Socket
  - 7MM Triangle
  - 8MM Triangle
  - 7MM Square
  - 8MM Square
  - 5mm Double Bit
  - Bellcore 216
  - Railway standard

## VC4X Series

### **MATERIAL**

- Enclosure & Cover constructed of 14 ga. (.075) 316L stainless steel with 3/4 brush finish
- Optional Gland Plate constructed of 12 ga. (.1046) 316L stainless steel with 3/4 brush finish
- Gasket:  
Cover: 1/4" thick Bisco silicone with acrylic PSA  
Gland Plates: 1/8" thick Bisco silicone with acrylic PSA

### **OPTIONS**

- Optional Quarter Turn Inserts:
  - Slot
  - 8MM Hex Socket
  - 7MM Triangle
  - 8MM Triangle
  - 7MM Square
  - 8MM Square
  - 5mm Double Bit
  - Bellcore 216
  - Railway standard



VH4X6 Series

STAINLESS STEEL 316L

INCHES

Catalog Number	Enclosure Dimensions			Collar Stud Spacing		Grd. Stud Locations	Mounting Feet Spacing		# Qtr. Turns	Quarter Turn Locations	
	A	B	C	D	E	F	G	H		L	K
VH4X6-101006	10.24	10.24	6.30	7.40	7.40	3.15	6.24	11.74	1	5.12	-
VH4X6-101008	10.24	10.24	8.07	7.40	7.40	4.04	6.24	11.74	1	5.12	-
VH4X6-121206	12.05	12.05	6.30	9.22	9.22	3.15	8.05	13.55	1	6.03	-
VH4X6-121208	12.05	12.05	8.07	9.22	9.22	4.04	8.05	13.55	1	6.03	-
VH4X6-151006	14.96	10.24	6.30	12.13	7.40	3.15	10.96	11.74	1	7.48	-
VH4X6-151008	14.96	10.24	8.07	12.13	7.40	4.04	10.96	11.74	1	7.48	-
VH4X6-181506	18.03	15.04	6.30	15.20	12.21	3.15	14.03	16.54	1	9.02	-
VH4X6-191908	18.90	18.90	8.07	16.07	16.07	4.04	14.90	20.40	1	9.45	-
VH4X6-201406	19.68	13.78	6.30	16.85	10.95	3.15	15.68	15.28	1	9.84	-
VH4X6-201408	19.68	13.78	8.07	16.85	10.95	4.04	15.68	15.28	1	9.84	-
VH4X6-241808	24.41	17.72	8.07	21.58	14.89	4.04	20.41	19.22	2	-	3.53
VH4X6-292208	29.13	21.65	8.07	26.30	18.82	4.04	25.13	23.15	2	-	3.53
VH4X6-302008	30.00	20.00	8.07	27.17	17.17	4.04	26.00	21.50	2-	-	3.53

NOTES

Optional Gland Plate Suffixes

- A: Gland Plate On Top Side
- B: Gland Plate On Bottom Side
- C: Gland Plate On Left Side
- D: Gland Plate On Right Side

\*Omit dashes when multiple gland plates are installed.

Increased Safety



# VH4X & VC4X SERIES

STAINLESS STEEL 316L

INCHES

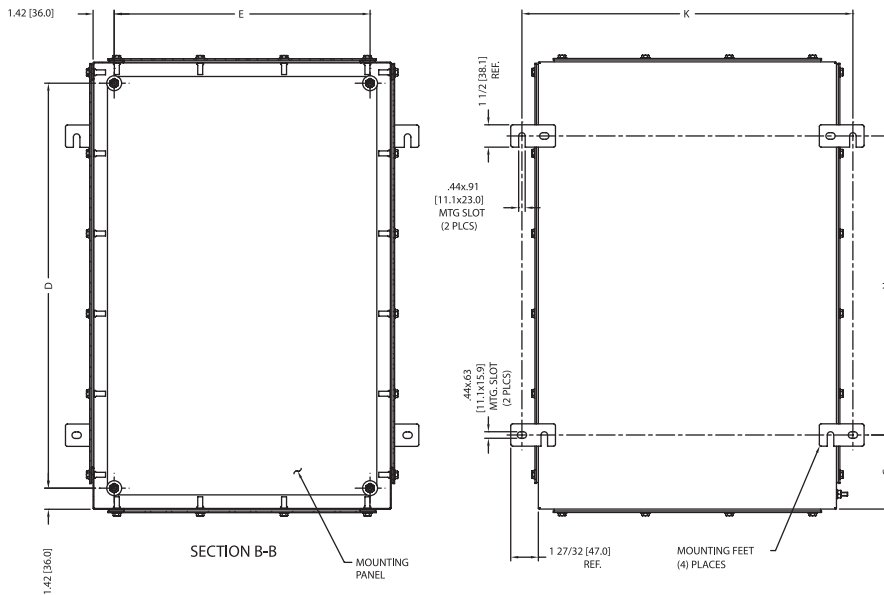
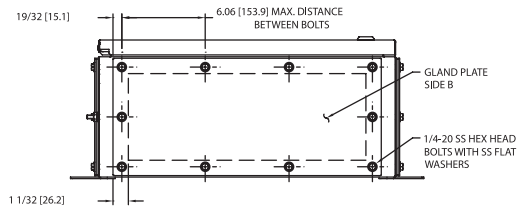
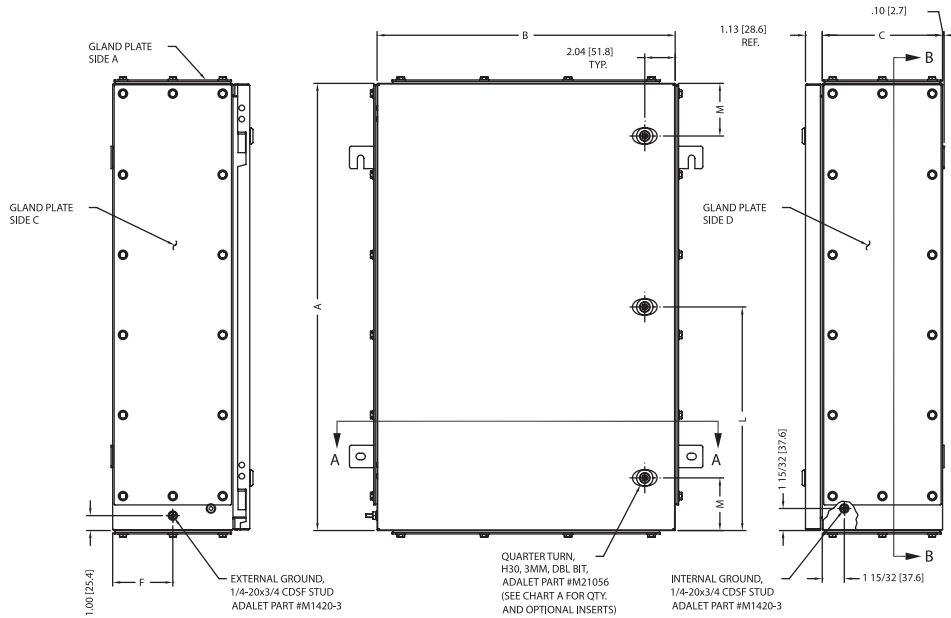
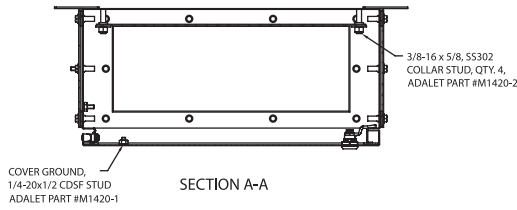
Catalog Number	Enclosure Dimensions			Collar Stud Spacing		Grd. Stud Locations	Mounting Feet Spacing			# Qtr. Turns	Quarter Turn Locations	
	ENCLOSURE	N	P	Q	R	S	T	V	W		X	Y
VC4X6-090605V	9.00	6.00	5.00	6.17	3.17	2.50	10.24	3.50	1.25	1	4.50	-
VC4X6-120806V	12.00	8.00	6.30	9.17	5.17	3.15	13.24	5.50	1.25	1	6.00	-
VC4X6-121206V	12.05	12.05	6.3	9.22	9.22	3.15	13.24	9.50	1.28	1	6.03	-
VC4X6-161206V	16.00	12.00	8.00	13.17	9.17	3.15	17.24	9.50	1.25	1	8.00	-
VC4X6-161208V	16.00	12.00	8.00	13.17	9.17	4.00	17.24	9.50	1.25	1	8.00	-
VC4X6-161606V	16.00	16.00	6.30	13.17	13.17	3.15	17.24	10.00	3.00	1	8.00	-
VC4X6-161608V	16.00	16.00	8.00	13.17	13.17	4.00	17.24	10.00	3.00	1	8.00	-
VC4X6-162006V	16.00	20.00	6.30	13.17	17.17	3.15	17.24	14.00	3.00	1	8.00	-
VC4X6-162008V	16.00	20.00	8.00	13.17	17.17	4.00	17.24	14.00	3.00	1	10.00	-
VC4X6-201606V	20.00	16.00	6.30	17.17	13.17	3.15	21.24	10.00	3.00	1	10.00	-
VC4X6-201608V	20.00	16.00	8.00	17.17	13.17	4.00	21.24	10.00	3.00	1	10.00	-
VC4X6-202006V	20.00	20.00	6.30	17.17	13.17	3.15	21.24	14.00	3.00	1	10.00	-
VC4X6-202008V	20.00	20.00	8.00	17.17	17.17	4.00	21.24	14.00	3.00	1	10.00	-
VC4X6-202408V	20.00	24.00	8.00	17.17	21.17	4.00	21.24	18.00	3.00	1	10.00	-
VC4X6-241606V	24.00	16.00	6.30	21.17	13.17	3.15	25.24	10.00	3.00	2	-	3.53
VC4X6-241608V	24.00	16.00	8.00	21.17	13.17	4.00	25.24	10.00	3.00	2	-	3.53
VC4X6-242006V	24.00	20.00	6.30	21.17	17.17	3.15	25.24	10.00	3.00	2	-	3.53
VC4X6-242008V	24.00	20.00	6.30	21.17	17.17	4.00	25.24	14.00	3.00	2	-	3.53
VC4X6-242406V	24.00	24.00	6.30	21.17	21.17	3.15	25.24	18.00	3.00	2	-	3.53
VC4X6-242408V	24.00	24.00	8.00	21.17	21.17	4.00	25.24	18.00	3.00	2	-	3.53
VC4X6-243008V	24.00	30.00	8.00	21.17	27.17	4.00	25.24	24.00	3.00	2	-	3.53
VC4X6-302008V	30.00	20.00	8.07	27.17	17.17	4.04	31.24	14.00	3.00	2	-	3.53
VC4X6-302408V	30.00	24.00	8.00	27.17	21.17	4.00	31.24	18.00	3.00	2	-	3.53
VC4X6-303008V	30.00	30.00	8.00	27.17	27.17	4.00	31.24	24.00	3.00	2	-	3.53

- NOTES** Optional Gland Plate Suffixes
- A: Gland Plate On Top Side
  - B: Gland Plate On Bottom Side
  - C: Gland Plate On Left Side
  - D: Gland Plate On Right Side
- \*Omit dashes when multiple gland plates are installed.

Increased Safety

# VH4X & VC4X SERIES

## VC4X6 Series Horizontal Mount



Increased Safety



# VH4X & VC4X SERIES

STAINLESS STEEL 316L

INCHES

Catalog Number	Enclosure Dimensions			Collar Stud Spacing		Grd. Stud Locations		Mounting Feet Spacing			# Qtr. Turns	Quarter Turn Locations	
	A	B	C	D	E	F	H	K	G	L		M	
VC4X6-090605H	9.00	6.00	5.00	6.17	3.17	2.50	1.51	5.98	8.19	1	4.50	-	
VC4X6-120806H	12.00	8.00	6.30	9.17	5.17	3.15	2.01	7.99	10.20	1	6.00	-	
VC4X6-121206H	12.05	12.05	6.3	9.22	9.22	3.15	2.03	7.99	14.21	1	6.03	-	
VC4X6-161206H	16.00	12.00	8.00	13.17	9.17	3.15	2.74	10.51	14.21	1	8.00	-	
VC4X6-161208H	16.00	12.00	8.00	13.17	9.17	4.00	2.74	10.51	14.21	1	8.00	-	
VC4X6-161606H	16.00	16.00	6.30	13.17	13.17	3.15	2.74	10.51	18.19	1	8.00	-	
VC4X6-161608H	16.00	16.00	8.00	13.17	13.17	4.00	2.74	10.51	18.19	1	8.00	-	
VC4X6-162006H	16.00	20.00	6.30	13.17	17.17	3.15	2.74	10.51	22.20	1	8.00	-	
VC4X6-162008H	16.00	20.00	8.00	13.17	17.17	4.00	2.74	10.51	22.20	1	10.00	-	
VC4X6-201606H	20.00	16.00	6.30	17.17	13.17	3.15	3.03	13.94	18.19	1	10.00	-	
VC4X6-201608H	20.00	16.00	8.00	17.17	13.17	4.00	3.03	13.94	18.19	1	10.00	-	
VC4X6-202006H	20.00	20.00	6.30	17.17	13.17	3.15	3.03	13.94	22.20	1	10.00	-	
VC4X6-202008H	20.00	20.00	8.00	17.17	17.17	4.00	3.03	13.94	22.20	1	10.00	-	
VC4X6-202408H	20.00	24.00	8.00	17.17	21.17	4.00	3.03	13.94	26.22	1	10.00	-	
VC4X6-241606H	24.00	16.00	6.30	21.17	13.17	3.15	3.24	17.52	18.19	2	-	3.53	
VC4X6-241608H	24.00	16.00	8.00	21.17	13.17	4.00	3.24	17.52	18.19	2	-	3.53	
VC4X6-242006H	24.00	20.00	6.30	21.17	17.17	3.15	3.24	17.52	22.20	2	-	3.53	
VC4X6-242008H	24.00	20.00	6.30	21.17	17.17	4.00	3.24	17.52	22.20	2	-	3.53	
VC4X6-242406H	24.00	24.00	6.30	21.17	21.17	3.15	3.24	17.52	26.22	2	-	3.53	
VC4X6-242408H	24.00	24.00	8.00	21.17	21.17	4.00	3.24	17.52	26.22	2	-	3.53	
VC4X6-243008H	24.00	30.00	8.00	21.17	27.17	4.00	3.24	17.52	32.20	2	-	3.53	
VC4X6-302008H	30.00	20.00	8.07	27.17	17.17	4.04	5.00	20.00	22.20	2	-	3.53	
VC4X6-302408H	30.00	24.00	8.00	27.17	21.17	4.00	5.00	20.00	26.22	2	-	3.53	
VC4X6-303008H	30.00	30.00	8.00	27.17	27.17	4.00	5.00	20.00	32.20	2	-	3.53	

**NOTES** Optional Gland Plate Suffixes

- A: Gland Plate On Top Side
- B: Gland Plate On Bottom Side
- C: Gland Plate On Left Side
- D: Gland Plate On Right Side

\*Omit dashes when multiple gland plates are installed.

Increased Safety

# TSC SERIES

## Screw Cover Terminal Enclosures

### STANDARD FEATURES

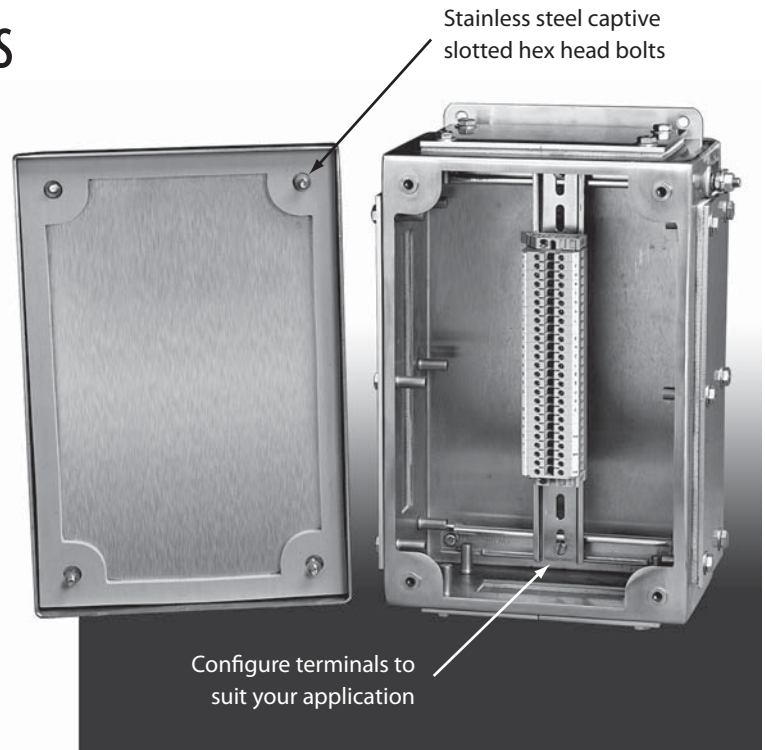
- 18 standard sizes available
- Stainless steel captive hex head, slotted cover screws
- Continuous one-piece water tight silicone gasket
- Internal rail mounting system (except 050503)
- Ground stud on box and cover
- External ground stud
- Wall mounting flange with .31" clearance holes

### DESIGN OPTIONS

- Gland plates (6" deep or greater) can be supplied pre-drilled or blank for field drilling
- Mounting panels
- Drilled entries and cut-outs
- Hinged cover
- Breather / drain
- Stopping plugs
- Terminal block assemblies
- Stainless steel mounting panels
- Cable glands and conduit fittings
- Internal earth bar
- Custom sizes

### MATERIAL

- Type 304 or 316L Stainless Steel
- Enclosure and cover constructed from 14 gauge (.075) stainless steel with #3/4 brush finish
- Gland plates constructed from 10 gauge (.1345) stainless steel with a #3/4 brush finish
- Silicone gasket constructed from 1/4" Bisco silicone with acrylic PSA
- Gland plate gasket constructed from 1/8" Bisco silicone with acrylic PSA



### CERTIFICATIONS (POPULATED ENCLOSURE)

Class I, Division 2, Groups A, B, C, D  
 Class II, Division 2, Groups F, G  
 Class I, Zone 1, AEx e II (T5: Ta ≤ +55° C) (T4: Ta ≤ +70° C)  
 Ex e II T6 (T5: Ta ≤ +55° C) (T4: Ta ≤ +70° C) (Canada)  
 Type 4X, 12, 13  
 DEMKO 01 ATEX 130438X  
 CE 0539 Ex II 2 G Ex e II T6 (T5: Ta ≤ +55° C) (T4: Ta ≤ +70° C)  
 CE 0539 Ex II 2 D Ex tD A21 IP66 T200° C  
 IECEx UL 09.0017X  
 Ex e II T6 (T5: Ta ≤ +55° C) (T4: Ta ≤ +70° C)  
 Ex tD A21 IP66 T200° C

### CERTIFICATIONS (EMPTY ENCLOSURE)

Class II, Division 2  
 Class I, Zone 1, AEx e II  
 Ex e II  
 Type 4  
 DEMKO 01 ATEX 0113363U  
 0539 Ex II 2 GD  
 Ex tD A21 IP66  
 Ex e II  
 Ex tD A21 IP66



## MAXIMUM TERMINAL BLOCK CONTENT

ENCLOSURE	2.5mm <sup>2</sup>		4mm <sup>2</sup>		6mm <sup>2</sup>		10mm <sup>2</sup>		16mm <sup>2</sup>		35mm <sup>2</sup>	
	# Rows	Qty.	# Rows	Qty.	# Rows	Qty.	# Rows	Qty.	# Rows	Qty.	# Rows	Qty.
TSC4X6-050503	1	6	1	6	1	5	0	0	0	0	0	0
TSC4X6-060604	1	13	1	13	1	8	0	0	0	0	0	0
TSC4X6-070704	1	18	1	18	1	11	1	9	0	0	0	0
TSC4X6-080804	1	23	1	23	1	14	1	11	0	0	0	0
TSC4X6-101006	2	66	2	66	2	42	1	17	1	14	0	0
TSC4X6-101008	2	66	2	66	2	42	1	17	1	14	0	0
TSC4X6-120604	1	43	1	43	1	27	0	0	0	0	0	0
TSC4X6-120605	1	43	1	43	1	27	0	0	0	0	0	0
TSC4X6-120805	1	43	1	43	1	27	1	22	0	0	0	0
TSC4X6-120806	1	43	1	43	1	27	1	22	0	0	0	0
TSC4X6-121206	2	86	2	86	2	54	2	44	1	18	0	0
TSC4X6-121208	2	86	2	86	2	54	2	44	1	18	0	0
TSC4X6-151506	3	177	3	177	3	111	2	58	2	48	1	18
TSC4X6-151508	3	177	3	177	3	111	2	58	2	48	1	18
TSC4X6-161206	2	128	2	128	2	80	2	64	1	26	0	0
TSC4X6-161208	2	128	2	128	2	80	2	64	1	26	0	0
TSC4X6-161606	3	192	3	192	3	120	3	96	2	52	1	20
TSC4X6-161608	3	192	3	192	3	120	3	96	2	52	1	

## NOTES

1. The TSC4 Series is available either in SS316L (TSC4X6) or SS304 (TSC4X).
2. Refer to enclosure catalog page for dimensional information.
3. The maximum terminal block content is based on the following maximum permitted continuous current and minimum conductor size (See chart right).
4. For higher ampacities refer to enclosure catalog page.
5. The maximum terminal block content is based on vertical rail installation. For horizontal installations, consult factory.
6. For applications requiring multiple terminal block configurations and Ampacities, consult factory.
7. For applications requiring larger terminal blocks or custom enclosure sizes, Consult factory.

MAX CURRENT	MIN CONDUCTOR SIZE
10 AMPS	1.5 mm <sup>2</sup> (16 AWG)
16 AMPS	2.5 mm <sup>2</sup> (14 AWG)
20 AMPS	4 mm <sup>2</sup> (12 AWG)
25 AMPS	6 mm <sup>2</sup> (10 AWG)
35 AMPS	10 mm <sup>2</sup> (8 AWG)
63 AMPS	16 mm <sup>2</sup> (6 AWG)

# TSC SERIES

## 5" x 5" x 3" Screw Cover

### STAINLESS STEEL 304

#### ENCLOSURES WITH TERMINALS

Catalog Number	Gland Plate
TSC4X-050503	None

### STAINLESS STEEL 316L

#### ENCLOSURES WITH TERMINALS

Catalog Number	Gland Plate
TSC4X6-050503	None

### MAXIMUM NUMBER OF CABLE/CONDUIT ENTRIES

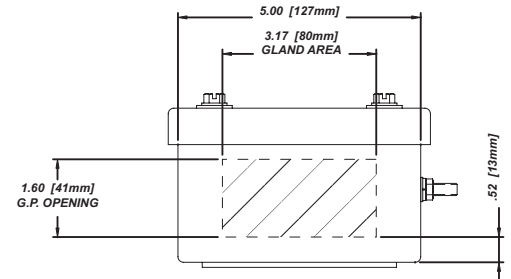
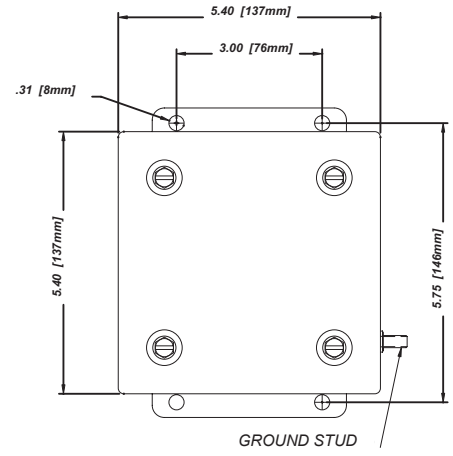
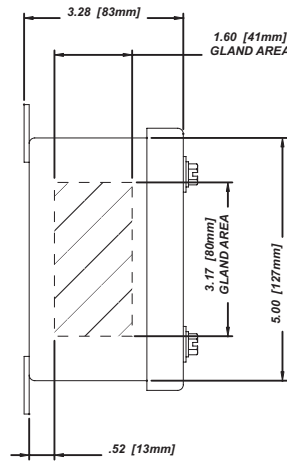
SIZE		WITHOUT GLAND PLATES	
NPT	Metric	Sides A & B	Sides C & D
1/2	M16	2	2
3/4	M20	2	2
1	M25	1	1
1 1/4	M32	-	-
1 1/2	M40	-	-
2	M50	-	-
2 1/2	M63	-	-

### MAXIMUM TERMINAL BLOCK CONTENT

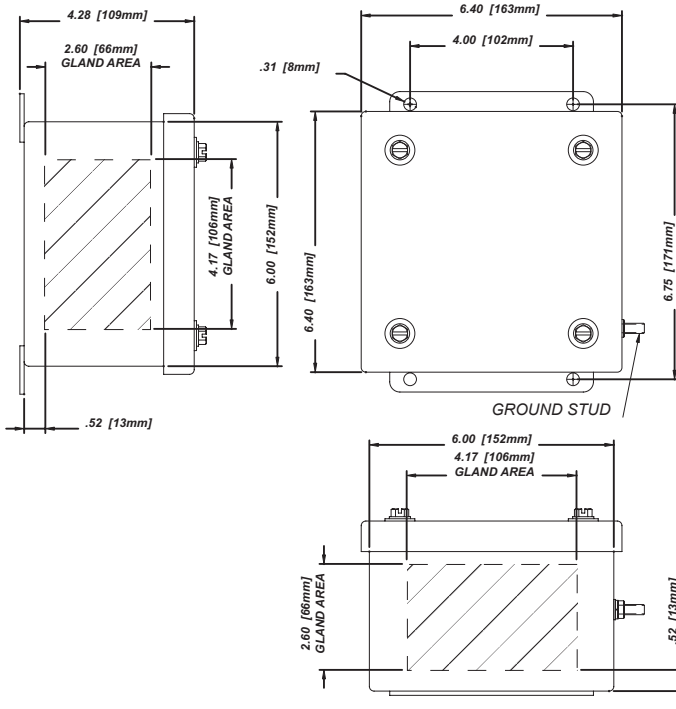
MIN CONDUCTOR SIZE	.5mm <sup>2</sup>	1.5mm <sup>2</sup>	2.5mm <sup>2</sup>	4mm <sup>2</sup>	6mm <sup>2</sup>	10mm <sup>2</sup>	16mm <sup>2</sup>	35mm <sup>2</sup>
MIN CONDUCTOR SIZE AWG	22	16	14	12	10	8	6	2
MAXIMUM AMPERAGE	3	8 10	16 20	25	35	50	63	80 100
1.5mm <sup>2</sup>	← 6 →		x	x	x	x	x	x
2.5mm <sup>2</sup>	6			x	x	x	x	x
4mm <sup>2</sup>	← 6 →				x	x	x	x
6mm <sup>2</sup>	5					x	x	x
10mm <sup>2</sup>	x	x	x	x	x	x	x	x
16mm <sup>2</sup>	x	x	x	x	x	x	x	x
35mm <sup>2</sup>	x	x	x	x	x	x	x	x

- NOTES**
- The maximum terminal block content is based on vertical rail installation. For horizontal installations, consult factory.
  - For applications requiring multiple terminal block configurations and ampacities, consult factory.

- For applications requiring larger terminal blocks or custom enclosure sizes, consult factory.
- For conduit/cable spacings, wire bending and wire conversion guidelines, refer to the inside back cover of this catalog.



## 6" x 6" x 4" Screw Cover



### STAINLESS STEEL 304

#### ENCLOSURES WITH TERMINALS

Catalog Number	Gland Plate
TSC4X-060604	None

### STAINLESS STEEL 316L

#### ENCLOSURES WITH TERMINALS

Catalog Number	Gland Plate
TSC4X6-060604	None

### MAXIMUM NUMBER OF CABLE/CONDUIT ENTRIES

SIZE		WITHOUT GLAND PLATES	
NPT	Metric	Sides A & B	Sides C & D
1/2	M16	6	6
3/4	M20	3	3
1	M25	2	2
1 1/4	M32	2	2
1 1/2	M40	1	1
2	M50	-	-
2 1/2	M63	-	-

### MAXIMUM TERMINAL BLOCK CONTENT

MIN CONDUCTOR SIZE	.5mm <sup>2</sup>	1.5mm <sup>2</sup>	2.5mm <sup>2</sup>	4mm <sup>2</sup>	6mm <sup>2</sup>	10mm <sup>2</sup>	16mm <sup>2</sup>	35mm <sup>2</sup>			
MIN CONDUCTOR SIZE AWG	22	16	14	12	10	8	6	2			
MAXIMUM AMPERAGE	3	8	10	16	20	25	35	50	63	80	100
Terminal Block Size	1.5mm <sup>2</sup>	← 13 →		x	x	x	x	x	x	x	
	2.5mm <sup>2</sup>	← 13 →		9	x	x	x	x	x	x	
	4mm <sup>2</sup>	← 13 →		10	x	x	x	x	x		
	6mm <sup>2</sup>	← 8 →			x	x	x	x			
	10mm <sup>2</sup>	x	x	x	x	x	x	x	x	x	
	16mm <sup>2</sup>	x	x	x	x	x	x	x	x	x	
	35mm <sup>2</sup>	x	x	x	x	x	x	x	x	x	

- NOTES**
- The maximum terminal block content is based on vertical rail installation. For horizontal installations, consult factory.
  - For applications requiring multiple terminal block configurations and ampacities, consult factory.
  - For applications requiring larger terminal-blocks or custom enclosure sizes, consult factory.
  - For conduit/cable spacings, wire bending and wire conversion guidelines, refer to the inside back cover of this catalog.

# TSC SERIES

## 7" x 7" x 4" Screw Cover

### STAINLESS STEEL 304

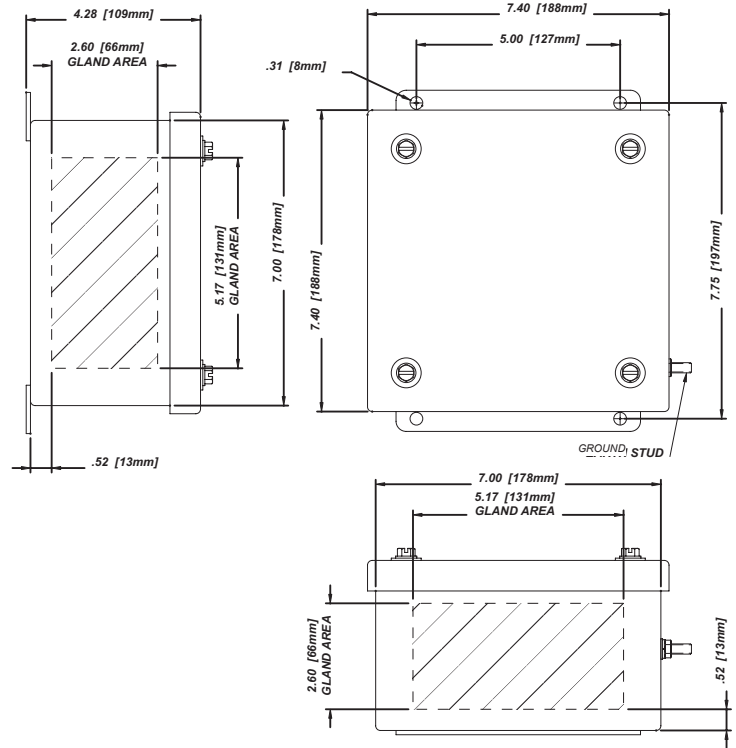
#### ENCLOSURES WITH TERMINALS

Catalog Number	Gland Plate
TSC4X-070704	None

### STAINLESS STEEL 316L

#### ENCLOSURES WITH TERMINALS

Catalog Number	Gland Plate
TSC4X6-070704	None



### MAXIMUM NUMBER OF CABLE/CONDUIT ENTRIES

SIZE		WITHOUT GLAND PLATES	
NPT	Metric	Sides A & B	Sides C & D
1/2	M16	8	8
3/4	M20	3	3
1	M25	3	3
1 1/4	M32	2	2
1 1/2	M40	2	2
2	M50	-	-
2 1/2	M63	-	-

### MAXIMUM TERMINAL BLOCK CONTENT

MIN CONDUCTOR SIZE		.5mm <sup>2</sup>	1.5mm <sup>2</sup>	2.5mm <sup>2</sup>	4mm <sup>2</sup>	6mm <sup>2</sup>	10mm <sup>2</sup>	16mm <sup>2</sup>	35mm <sup>2</sup>			
MIN CONDUCTOR SIZE AWG		22	16	14	12	10	8	6	2			
MAXIMUM AMPERAGE		3	8	10	16	20	25	35	50	63	80	100
Terminal Block Size	1.5mm <sup>2</sup>	← 18 →		x	x	x	x	x	x	x	x	
	2.5mm <sup>2</sup>	← 18 →			10	x	x	x	x	x	x	
	4mm <sup>2</sup>	← 18 →				11	x	x	x	x	x	
	6mm <sup>2</sup>	← 11 →					8	x	x	x	x	
	10mm <sup>2</sup>	← 9 →						7	x	x	x	
	16mm <sup>2</sup>	x	x	x	x	x	x	x	x	x	x	
	35mm <sup>2</sup>	x	x	x	x	x	x	x	x	x	x	

- NOTES**
- The maximum terminal block content is based on vertical rail installation. For horizontal installations, consult factory.
  - For applications requiring multiple terminal block configurations and ampacities, consult factory.
  - For applications requiring larger terminal blocks or custom enclosure sizes, consult factory.
  - For conduit/cable spacings, wire bending and wire conversion guidelines, refer to the inside back cover of this catalog.

Increased Safety

## 8" x 8" x 4" Screw Cover

### STAINLESS STEEL 304

#### ENCLOSURES WITH TERMINALS

Catalog Number	Gland Plate
TSC4X-080804	None

### STAINLESS STEEL 316L

#### ENCLOSURES WITH TERMINALS

Catalog Number	Gland Plate
TSC4X6-080804	None

### MAXIMUM NUMBER OF CABLE/CONDUIT ENTRIES

SIZE		WITHOUT GLAND PLATES	
NPT	Metric	Sides A & B	Sides C & D
1/2	M16	10	10
3/4	M20	4	4
1	M25	3	3
1 1/4	M32	2	2
1 1/2	M40	2	2
2	M50	-	-
2 1/2	M63	-	-

### MAXIMUM TERMINAL BLOCK CONTENT

MIN CONDUCTOR SIZE		.5mm <sup>2</sup>	1.5mm <sup>2</sup>	2.5mm <sup>2</sup>	4mm <sup>2</sup>	6mm <sup>2</sup>	10mm <sup>2</sup>	16mm <sup>2</sup>	35mm <sup>2</sup>		
MIN CONDUCTOR SIZE AWG		22	16	14	12	10	8	6	2		
MAXIMUM AMPERAGE		3	8 10	16 20	25	35	50	63	80 100		
Terminal Block Size	1.5mm <sup>2</sup>	← 23 →		x	x	x	x	x	x	x	
	2.5mm <sup>2</sup>	← 23 →		19	11	x	x	x	x	x	
	4mm <sup>2</sup>	← 23 →		21	12	x	x	x	x	x	
	6mm <sup>2</sup>	← 14 →				9	x	x	x	x	
	10mm <sup>2</sup>	← 11 →						7	x	x	x
	16mm <sup>2</sup>	x	x	x	x	x	x	x	x	x	
	35mm <sup>2</sup>	x	x	x	x	x	x	x	x	x	

- NOTES**
- The maximum terminal block content is based on vertical rail installation. For horizontal installations, consult factory.
  - For applications requiring multiple terminal block configurations and ampacities, consult factory.
  - For applications requiring larger terminal blocks or custom enclosure sizes, consult factory.
  - For conduit/cable spacings, wire bending and wire conversion guidelines, refer to the inside back cover of this catalog.

# TSC SERIES

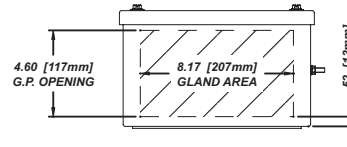
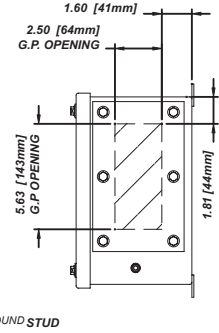
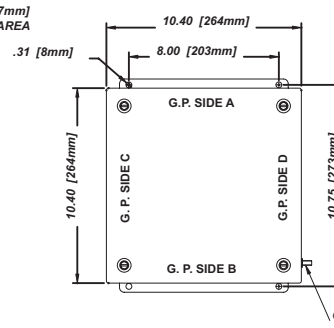
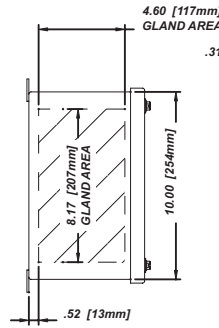
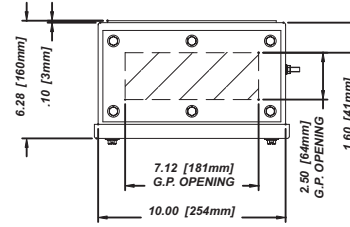
## 10" x 10" x 6" Screw Cover

### STAINLESS STEEL 304

ENCLOSURES WITH TERMINALS	
Catalog Number	Gland Plate
TSC4X-101006	None
TSC4X-101006-B	Side B
TSC4X-101006-AB	Sides A & B
TSC4X-101006-BCD	Sides B, C & D
TSC4X-101006-ABCD	Sides A, B, C & D

### STAINLESS STEEL 316L

ENCLOSURES WITH TERMINALS	
Catalog Number	Gland Plate
TSC4X6-101006	None
TSC4X6-101006-B	Side B
TSC4X6-101006-AB	Sides A & B
TSC4X6-101006-BCD	Sides B, C & D
TSC4X6-101006-ABCD	Sides A, B, C & D



### MAXIMUM NUMBER OF CABLE/CONDUIT ENTRIES

SIZE		WITHOUT GLAND PLATES		WITH GLAND PLATES	
NPT	Metric	Sides A & B	Sides C & D	Sides A & B	Sides C & D
1/2	M16	18	18	10	8
3/4	M20	15	15	5	4
1	M25	8	8	4	3
1 1/4	M32	6	6	3	2
1 1/2	M40	4	4	2	2
2	M50	2	2	2	1
2 1/2	M63	2	2	-	-

### MAXIMUM TERMINAL BLOCK CONTENT

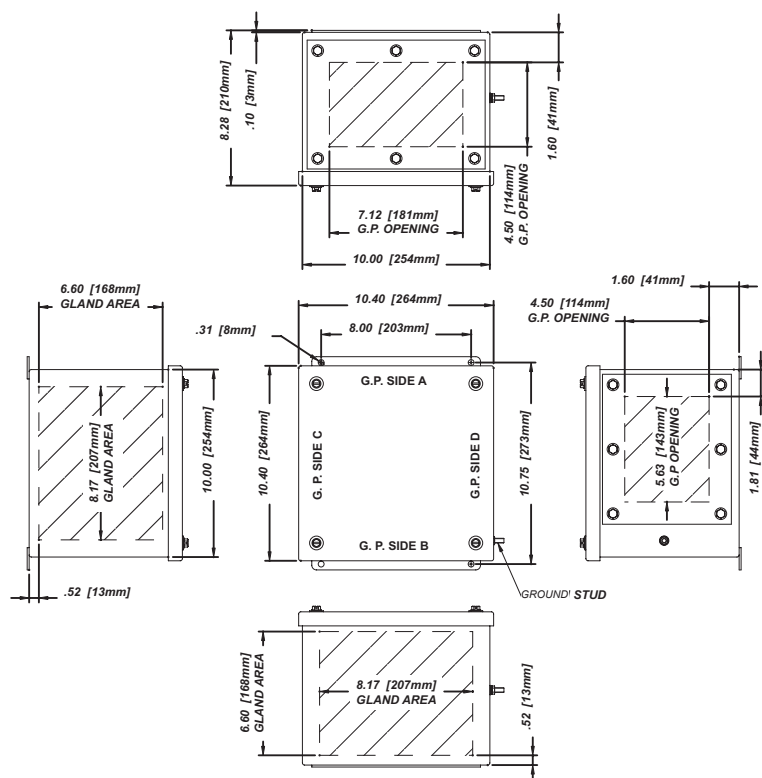
MIN CONDUCTOR SIZE		.5mm <sup>2</sup>	1.5mm <sup>2</sup>	2.5mm <sup>2</sup>	4mm <sup>2</sup>	6mm <sup>2</sup>	10mm <sup>2</sup>	16mm <sup>2</sup>	35mm <sup>2</sup>			
MIN CONDUCTOR SIZE AWG		22	16	14	12	10	8	6	2			
MAXIMUM AMPERAGE		3	8	10	16	20	25	35	50	63	80	100
Terminal Block Size	1.5mm <sup>2</sup>	← 66 →		39	x	x	x	x	x	x	x	
	2.5mm <sup>2</sup>	← 66 →			26	15	x	x	x	x	x	
	4mm <sup>2</sup>	← 66 →				29	16	x	x	x	x	
	6mm <sup>2</sup>	← 42 →					32	12	x	x	x	
	10mm <sup>2</sup>	← 17 →						16	10	x	x	
	16mm <sup>2</sup>	← 14 →							12	x	x	
	35mm <sup>2</sup>	x	x	x	x	x	x	x	x	x	x	

- NOTES**
- The maximum terminal block content is based on vertical rail installation. For horizontal installations, consult factory.
  - For applications requiring multiple terminal block configurations and ampacities, consult factory.
  - For applications requiring larger terminal blocks or custom enclosure sizes, consult factory.
  - For conduit/cable spacings, wire bending and wire conversion guidelines, refer to the inside back cover of this catalog.

Increased Safety



## 10" x 10" x 8" Screw Cover



### STAINLESS STEEL 304

#### ENCLOSURES WITH TERMINALS

Catalog Number	Gland Plate
TSC4X-101008	None
TSC4X-101008-B	Side B
TSC4X-101008-AB	Sides A & B
TSC4X-101008-BCD	Sides B, C & D
TSC4X-101008-ABCD	Sides A, B, C & D

### STAINLESS STEEL 316L

#### ENCLOSURES WITH TERMINALS

Catalog Number	Gland Plate
TSC4X6-101008	None
TSC4X6-101008-B	Side B
TSC4X6-101008-AB	Sides A & B
TSC4X6-101008-BCD	Sides B, C & D
TSC4X6-101008-ABCD	Sides A, B, C & D

### MAXIMUM NUMBER OF CABLE/CONDUIT ENTRIES

SIZE		WITHOUT GLAND PLATES		WITH GLAND PLATES	
NPT	Metric	Sides A & B	Sides C & D	Sides A & B	Sides C & D
1/2	M16	30	30	15	12
3/4	M20	20	20	15	12
1	M25	12	12	8	6
1 1/4	M32	6	6	6	4
1 1/2	M40	6	6	2	2
2	M50	4	4	2	1
2 1/2	M63	2	2	2	1

### MAXIMUM TERMINAL BLOCK CONTENT

MIN CONDUCTOR SIZE	.5mm <sup>2</sup>	1.5mm <sup>2</sup>	2.5mm <sup>2</sup>	4mm <sup>2</sup>	6mm <sup>2</sup>	10mm <sup>2</sup>	16mm <sup>2</sup>	35mm <sup>2</sup>			
MIN CONDUCTOR SIZE AWG	22	16	14	12	10	8	6	2			
MAXIMUM AMPERAGE	3	8	10	16	20	25	35	50	63	80	100
Terminal Block Size	1.5mm <sup>2</sup>	← 66 →	47	x	x	x	x	x	x	x	
	2.5mm <sup>2</sup>	← 66 →		31	18	x	x	x	x	x	
	4mm <sup>2</sup>	← 66 →			35	20	x	x	x	x	
	6mm <sup>2</sup>	← 42 →				38	15	x	x	x	
	10mm <sup>2</sup>	← 17 →						12	x	x	
	16mm <sup>2</sup>				← 14 →					x	x
35mm <sup>2</sup>	x	x	x	x	x	x	x	x	x	x	

- NOTES**
- The maximum terminal block content is based on vertical rail installation. For horizontal installations, consult factory.
  - For applications requiring multiple terminal block configurations and ampacities, consult factory.
  - For applications requiring larger terminal blocks or custom enclosure sizes, consult factory.
  - For conduit/cable spacings, wire bending and wire conversion guidelines, refer to the inside back cover of this catalog.

# TSC SERIES

## 12" x 6" x 4" Screw Cover

### STAINLESS STEEL 304

#### ENCLOSURES WITH TERMINALS

Catalog Number	Gland Plate
TSC4X-120604	None

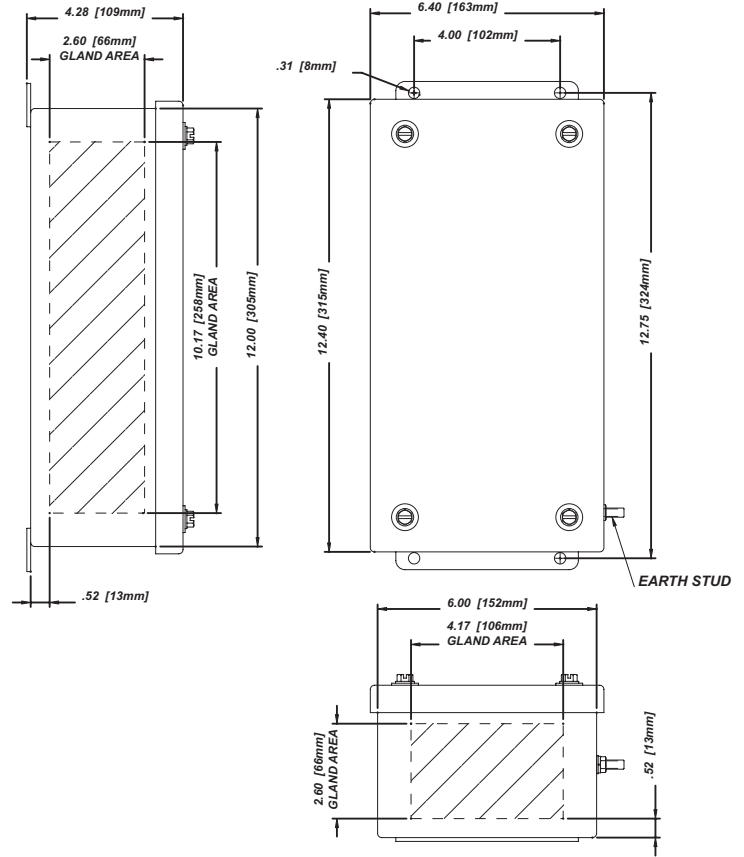
### STAINLESS STEEL 316L

#### ENCLOSURES WITH TERMINALS

Catalog Number	Gland Plate
TSC4X6-120604	None

### MAXIMUM NUMBER OF CABLE/CONDUIT ENTRIES

SIZE		WITHOUT GLAND PLATES	
NPT	Metric	Sides A & B	Sides C & D
1/2	M16	6	16
3/4	M20	3	7
1	M25	2	5
1 1/4	M32	2	4
1 1/2	M40	1	4
2	M50	-	-
2 1/2	M63	-	-



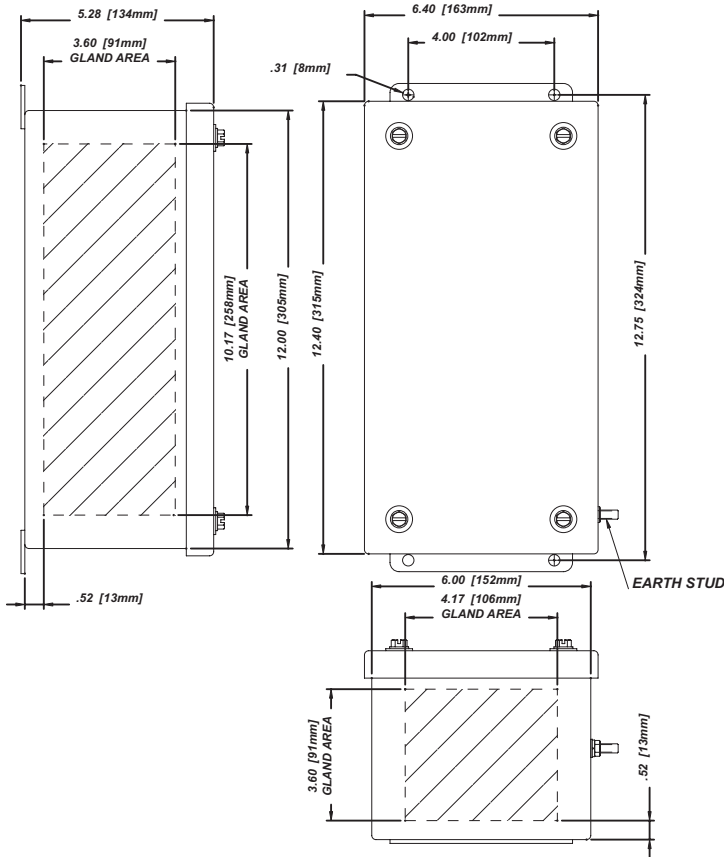
### MAXIMUM TERMINAL BLOCK CONTENT

MIN CONDUCTOR SIZE		.5mm <sup>2</sup>	1.5mm <sup>2</sup>	2.5mm <sup>2</sup>	4mm <sup>2</sup>	6mm <sup>2</sup>	10mm <sup>2</sup>	16mm <sup>2</sup>	35mm <sup>2</sup>			
MIN CONDUCTOR SIZE AWG		22	16	14	12	10	8	6	2			
MAXIMUM AMPERAGE		3	8	10	16	20	25	35	50	63	80	100
Terminal Block Size	1.5mm <sup>2</sup>	← 43 →		27	x	x	x	x	x	x	x	
	2.5mm <sup>2</sup>	← 43 →			18	10	x	x	x	x	x	
	4mm <sup>2</sup>	← 43 →				20	11	x	x	x	x	
	6mm <sup>2</sup>	← 27 →					22	8	x	x	x	
	10mm <sup>2</sup>	x	x	x	x	x	x	x	x	x		
	16mm <sup>2</sup>	x	x	x	x	x	x	x	x	x		
	35mm <sup>2</sup>	x	x	x	x	x	x	x	x	x		

- NOTES**
- The maximum terminal block content is based on vertical rail installation. For horizontal installations, consult factory.
  - For applications requiring multiple terminal block configurations and ampacities, consult factory.
  - For applications requiring larger terminal blocks or custom enclosure sizes, consult factory.
  - For conduit/cable spacings, wire bending and wire conversion guidelines, refer to the inside back cover of this catalog.

Increased Safety

## 12" x 6" x 5" Screw Cover



### STAINLESS STEEL 304

#### ENCLOSURES WITH TERMINALS

Catalog Number	Gland Plate
TSC4X-120605	None

### STAINLESS STEEL 316L

#### ENCLOSURES WITH TERMINALS

Catalog Number	Gland Plate
TSC4X6-120605	None

### MAXIMUM NUMBER OF CABLE/CONDUIT ENTRIES

SIZE		WITHOUT GLAND PLATES	
NPT	Metric	Sides A & B	Sides C & D
1/2	M16	6	16
3/4	M20	6	14
1	M25	4	10
1 1/4	M32	2	4
1 1/2	M40	1	4
2	M50	1	3
2 1/2	M63	1	

### MAXIMUM TERMINAL BLOCK CONTENT

MIN CONDUCTOR SIZE		.5mm <sup>2</sup>	1.5mm <sup>2</sup>	2.5mm <sup>2</sup>	4mm <sup>2</sup>	6mm <sup>2</sup>	10mm <sup>2</sup>	16mm <sup>2</sup>	35mm <sup>2</sup>			
MIN CONDUCTOR SIZE AWG		22	16	14	12	10	8	6	2			
MAXIMUM AMPERAGE		3	8	10	16	20	25	35	50	63	80	100
Terminal Block Size	1.5mm <sup>2</sup>	← 43 →		30	x	x	x	x	x	x	x	
	2.5mm <sup>2</sup>	← 43 →		20	12	x	x	x	x	x	x	
	4mm <sup>2</sup>	← 43 →		23	13	x	x	x	x	x		
	6mm <sup>2</sup>	← 27 →			25	9	x	x	x	x		
	10mm <sup>2</sup>	x	x	x	x	x	x	x	x	x		
	16mm <sup>2</sup>	x	x	x	x	x	x	x	x	x		
35mm <sup>2</sup>	x	x	x	x	x	x	x	x	x			

- NOTES**
- The maximum terminal block content is based on vertical rail installation. For horizontal installations, consult factory.
  - For applications requiring multiple terminal block configurations and ampacities, consult factory.
  - For applications requiring larger terminal blocks or custom enclosure sizes, consult factory.
  - For conduit/cable spacings, wire bending and wire conversion guidelines, refer to the inside back cover of this catalog.

# TSC SERIES

## 12" x 8" x 5" Screw Cover

### STAINLESS STEEL 304

#### ENCLOSURES WITH TERMINALS

Catalog Number	Gland Plate
TSC4X-120805	None

### STAINLESS STEEL 316L

#### ENCLOSURES WITH TERMINALS

Catalog Number	Gland Plate
TSC4X6-120805	None

### MAXIMUM NUMBER OF CABLE/CONDUIT ENTRIES

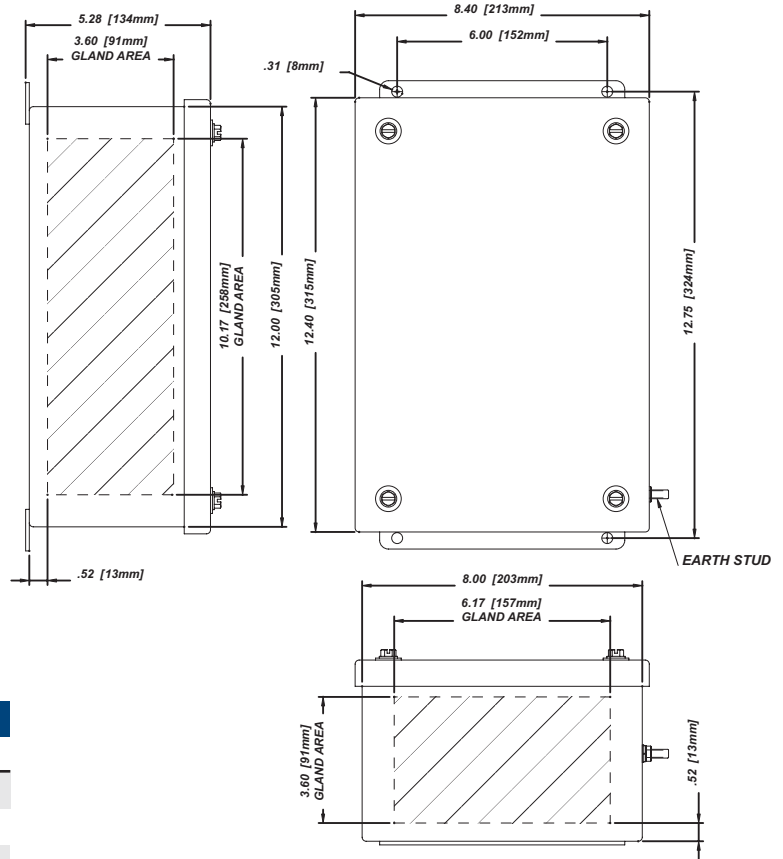
SIZE		WITHOUT GLAND PLATES	
NPT	Metric	Sides A & B	Sides C & D
1/2	M16	10	16
3/4	M20	8	14
1	M25	6	10
1 1/4	M32	2	4
1 1/2	M40	2	4
2	M50	2	3
2 1/2	M63	1	2

### MAXIMUM TERMINAL BLOCK CONTENT

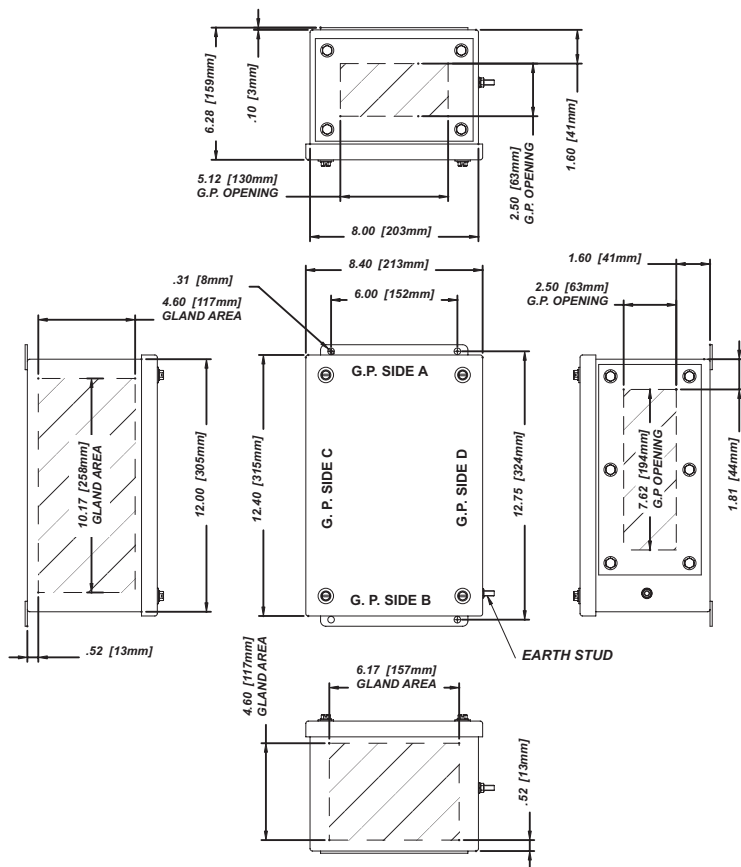
MIN CONDUCTOR SIZE		.5mm <sup>2</sup>	1.5mm <sup>2</sup>	2.5mm <sup>2</sup>	4mm <sup>2</sup>	6mm <sup>2</sup>	10mm <sup>2</sup>	16mm <sup>2</sup>	35mm <sup>2</sup>			
MIN CONDUCTOR SIZE AWG		22	16	14	12	10	8	6	2			
MAXIMUM AMPERAGE		3	8	10	16	20	25	35	50	63	80	100
Terminal Block Size	1.5mm <sup>2</sup>	← 43 →		30	x	x	x	x	x	x	x	
	2.5mm <sup>2</sup>	← 43 →			20	12	x	x	x	x	x	
	4mm <sup>2</sup>	← 43 →			23	13	x	x	x	x	x	
	6mm <sup>2</sup>	← 27 →				25	9	x	x	x	x	
	10mm <sup>2</sup>	← 22 →						8	x	x	x	
	16mm <sup>2</sup>	x	x	x	x	x	x	x	x	x	x	
	35mm <sup>2</sup>	x	x	x	x	x	x	x	x	x	x	

- NOTES**
- The maximum terminal block content is based on vertical rail installation. For horizontal installations, consult factory.
  - For applications requiring multiple terminal block configurations and ampacities, consult factory.

- For applications requiring larger terminal blocks or custom enclosure sizes, consult factory.
- For conduit/cable spacings, wire bending and wire conversion guidelines, refer to the inside back cover of this catalog.



## 12" x 8" x 6" Screw Cover



### STAINLESS STEEL 304

#### ENCLOSURES WITH TERMINALS

Catalog Number	Gland Plate
TSC4X-120806	None
TSC4X-120806-B	Side B
TSC4X-120806-AB	Sides A & B
TSC4X-120806-BCD	Sides B, C & D
TSC4X-120806-ABCD	Sides A, B, C & D

### STAINLESS STEEL 316L

#### ENCLOSURES WITH TERMINALS

Catalog Number	Gland Plate
TSC4X6-120806	None
TSC4X6-120806-B	Side B
TSC4X6-120806-AB	Sides A & B
TSC4X6-120806-BCD	Sides B, C & D
TSC4X6-120806-ABCD	Sides A, B, C & D

### MAXIMUM NUMBER OF CABLE/CONDUIT ENTRIES

SIZE		WITHOUT GLAND PLATES		WITH GLAND PLATES	
NPT	Metric	Sides A & B	Sides C & D	Sides A & B	Sides C & D
1/2	M16	15	24	8	12
3/4	M20	12	21	3	5
1	M25	6	10	3	4
1 1/4	M32	4	8	2	3
1 1/2	M40	2	4	2	3
2	M50	2	3	1	2
2 1/2	M63	1	2	-	-

### MAXIMUM TERMINAL BLOCK CONTENT

MIN CONDUCTOR SIZE	.5mm <sup>2</sup>	1.5mm <sup>2</sup>	2.5mm <sup>2</sup>	4mm <sup>2</sup>	6mm <sup>2</sup>	10mm <sup>2</sup>	16mm <sup>2</sup>	35mm <sup>2</sup>			
MIN CONDUCTOR SIZE AWG	22	16	14	12	10	8	6	2			
MAXIMUM AMPERAGE	3	8	10	16	20	25	35	50	63	80	100
Terminal Block Size	1.5mm <sup>2</sup>	← 43 →		34	x	x	x	x	x	x	x
	2.5mm <sup>2</sup>	← 43 →		22	13	x	x	x	x	x	x
	4mm <sup>2</sup>	← 43 →		25	14	x	x	x	x	x	x
	6mm <sup>2</sup>	← 27 →				11	x	x	x	x	x
	10mm <sup>2</sup>	← 22 →					8	x	x	x	x
	16mm <sup>2</sup>	x	x	x	x	x	x	x	x	x	x
35mm <sup>2</sup>	x	x	x	x	x	x	x	x	x	x	

- NOTES**
- The maximum terminal block content is based on vertical rail installation. For horizontal installations, consult factory.
  - For applications requiring multiple terminal block configurations and ampacities, consult factory.
  - For applications requiring larger terminal blocks or custom enclosure sizes, consult factory.
  - For conduit/cable spacings, wire bending and wire conversion guidelines, refer to the inside back cover of this catalog.

Increased Safety

# TSC SERIES

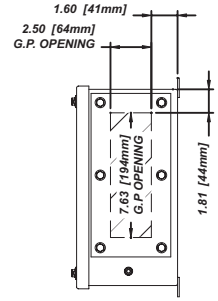
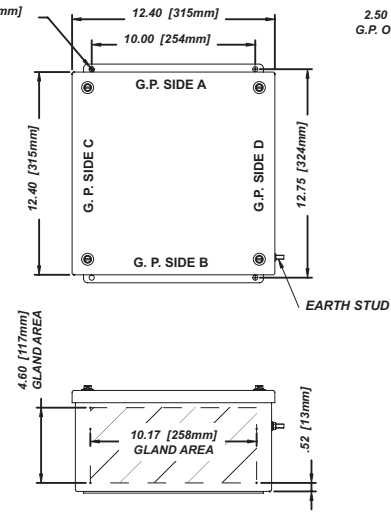
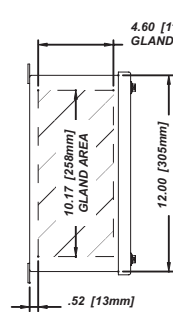
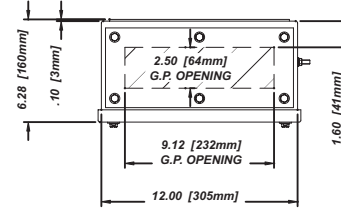
## 12" x 12" x 6" Screw Cover

### STAINLESS STEEL 304

ENCLOSURES WITH TERMINALS	
Catalog Number	Gland Plate
TSC4X-121206	None
TSC4X-121206-B	Side B
TSC4X-121206-AB	Sides A & B
TSC4X-121206-BCD	Sides B, C & D
TSC4X-121206-ABCD	Sides A, B, C & D

### STAINLESS STEEL 316L

ENCLOSURES WITH TERMINALS	
Catalog Number	Gland Plate
TSC4X6-121206	None
TSC4X6-121206-B	Side B
TSC4X6-121206-AB	Sides A & B
TSC4X6-121206-BCD	Sides B, C & D
TSC4X6-121206-ABCD	Sides A, B, C & D



### MAXIMUM NUMBER OF CABLE/CONDUIT ENTRIES

SIZE		WITHOUT GLAND PLATES		WITH GLAND PLATES	
NPT	Metric	Sides A & B	Sides C & D	Sides A & B	Sides C & D
1/2	M16	24	24	14	12
3/4	M20	21	21	6	5
1	M25	10	10	5	4
1 1/4	M32	8	8	4	3
1 1/2	M40	4	4	3	3
2	M50	3	3	3	2
2 1/2	M63	2	2	-	-

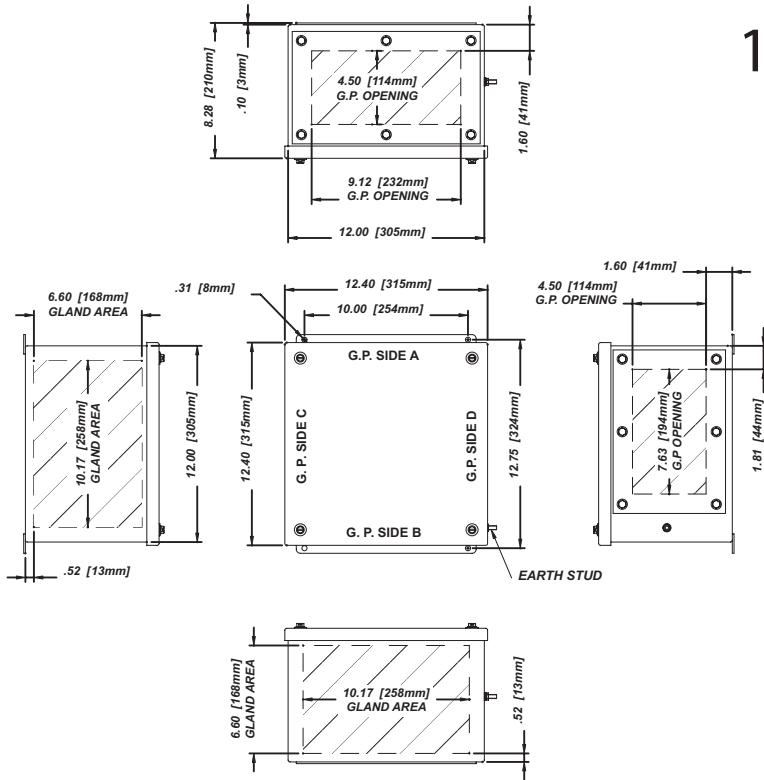
### MAXIMUM TERMINAL BLOCK CONTENT

MIN CONDUCTOR SIZE		.5mm <sup>2</sup>	1.5mm <sup>2</sup>	2.5mm <sup>2</sup>	4mm <sup>2</sup>	6mm <sup>2</sup>	10mm <sup>2</sup>	16mm <sup>2</sup>	35mm <sup>2</sup>			
MIN CONDUCTOR SIZE AWG		22	16	14	12	10	8	6	2			
MAXIMUM AMPERAGE		3	8	10	16	20	25	35	50	63	80	100
Terminal Block Size	1.5mm <sup>2</sup>	← 86 →		43	x	x	x	x	x	x	x	x
	2.5mm <sup>2</sup>	← 86 →			28	16	x	x	x	x	x	x
	4mm <sup>2</sup>	← 86 →			32	18	x	x	x	x	x	x
	6mm <sup>2</sup>	← 54 →				35	13	x	x	x	x	x
	10mm <sup>2</sup>	← 44 →					34	11	x	x	x	x
	16mm <sup>2</sup>	← 18 →						13	x	x	x	x
	35mm <sup>2</sup>	x	x	x	x	x	x	x	x	x	x	x

- NOTES**
- The maximum terminal block content is based on vertical rail installation. For horizontal installations, consult factory.
  - For applications requiring multiple terminal block configurations and ampacities, consult factory.
  - For applications requiring larger terminal blocks or custom enclosure sizes, consult factory.
  - For conduit/cable spacings, wire bending and wire conversion guidelines, refer to the inside back cover of this catalog.

Increased Safety

## 12" x 12" x 8" Screw Cover



### STAINLESS STEEL 304

#### ENCLOSURES WITH TERMINALS

Catalog Number	Gland Plate
TSC4X-121208	None
TSC4X-121208-B	Side B
TSC4X-121208-AB	Sides A & B
TSC4X-121208-BCD	Sides B, C & D
TSC4X-121208-ABCD	Sides A, B, C & D

### STAINLESS STEEL 316L

#### ENCLOSURES WITH TERMINALS

Catalog Number	Gland Plate
TSC4X6-121208	None
TSC4X6-121208-B	Side B
TSC4X6-121208-AB	Sides A & B
TSC4X6-121208-BCD	Sides B, C & D
TSC4X6-121208-ABCD	Sides A, B, C & D

### MAXIMUM NUMBER OF CABLE/CONDUIT ENTRIES

SIZE		WITHOUT GLAND PLATES		WITH GLAND PLATES	
NPT	Metric	Sides A & B	Sides C & D	Sides A & B	Sides C & D
1/2	M16	40	40	21	18
3/4	M20	28	28	18	15
1	M25	15	15	10	8
1 1/4	M32	8	8	8	6
1 1/2	M40	8	8	3	3
2	M50	6	6	3	2
2 1/2	M63	2	2	2	2

### MAXIMUM TERMINAL BLOCK CONTENT

MIN CONDUCTOR SIZE		.5mm <sup>2</sup>	1.5mm <sup>2</sup>	2.5mm <sup>2</sup>	4mm <sup>2</sup>	6mm <sup>2</sup>	10mm <sup>2</sup>	16mm <sup>2</sup>	35mm <sup>2</sup>			
MIN CONDUCTOR SIZE AWG		22	16	14	12	10	8	6	2			
MAXIMUM AMPERAGE		3	8	10	16	20	25	35	50	63	80	100
Terminal Block Size	1.5mm <sup>2</sup>	← 86 →		50	x	x	x	x	x	x	x	
	2.5mm <sup>2</sup>	← 86 →		33	19	x	x	x	x	x	x	
	4mm <sup>2</sup>	← 86 →		38	21	x	x	x	x	x		
	6mm <sup>2</sup>	← 54 →			41	16	x	x	x	x		
	10mm <sup>2</sup>	← 44 →				40	13	x	x	x		
	16mm <sup>2</sup>	← 18 →						15	x	x		
35mm <sup>2</sup>	x	x	x	x	x	x	x	x	x	x		

- NOTES**
1. The maximum terminal block content is based on vertical rail installation. For horizontal installations, consult factory.
  2. For applications requiring multiple terminal block configurations and ampacities, consult factory.

3. For applications requiring larger terminal blocks or custom enclosure sizes, consult factory.
4. For conduit/cable spacings, wire bending and wire conversion guidelines, refer to the inside back cover of this catalog.

# TSC SERIES

## 15" x 15" x 6" Screw Cover

### STAINLESS STEEL 304

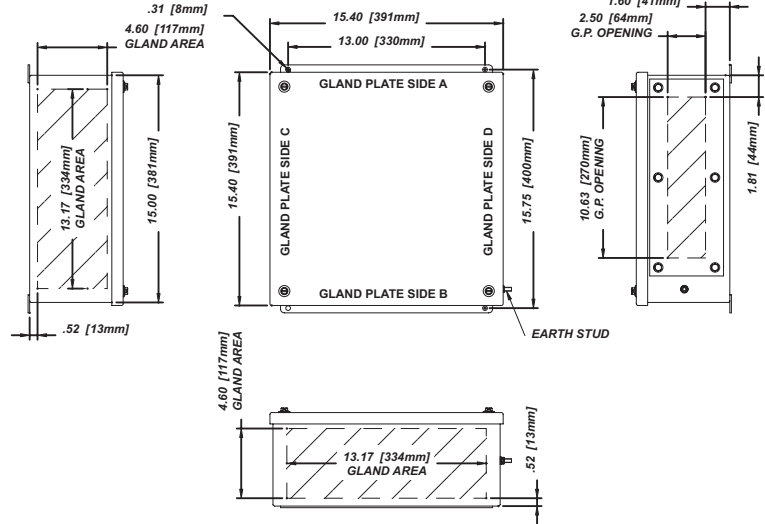
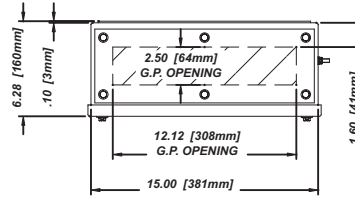
#### ENCLOSURES WITH TERMINALS

Catalog Number	Gland Plate
TSC4X-151506	None
TSC4X-151506-B	Side B
TSC4X-151506-AB	Sides A & B
TSC4X-151506-BCD	Sides B, C & D
TSC4X-151506-ABCD	Sides A, B, C & D

### STAINLESS STEEL 316L

#### ENCLOSURES WITH TERMINALS

Catalog Number	Gland Plate
TSC4X6-151506	None
TSC4X6-151506-B	Side B
TSC4X6-151506-AB	Sides A & B
TSC4X6-151506-BCD	Sides B, C & D
TSC4X6-151506-ABCD	Sides A, B, C & D



### MAXIMUM NUMBER OF CABLE/CONDUIT ENTRIES

SIZE		WITHOUT GLAND PLATES		WITH GLAND PLATES	
NPT	Metric	Sides A & B	Sides C & D	Sides A & B	Sides C & D
1/2	M16	30	30	18	16
3/4	M20	27	27	8	7
1	M25	14	14	6	5
1 1/4	M32	10	10	5	4
1 1/2	M40	5	5	4	4
2	M50	4	4	3	3
2 1/2	M63	3	3	-	-

### MAXIMUM TERMINAL BLOCK CONTENT

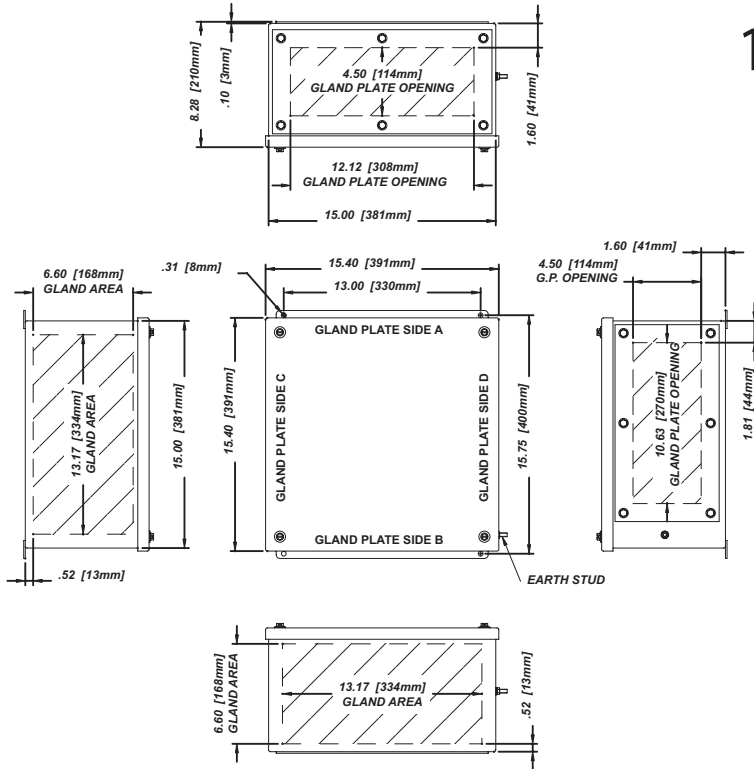
MIN CONDUCTOR SIZE		.5mm <sup>2</sup>	1.5mm <sup>2</sup>	2.5mm <sup>2</sup>	4mm <sup>2</sup>	6mm <sup>2</sup>	10mm <sup>2</sup>	16mm <sup>2</sup>	35mm <sup>2</sup>			
MIN CONDUCTOR SIZE AWG		22	16	14	12	10	8	6	2			
MAXIMUM AMPERAGE		3	8	10	16	20	25	35	50	63	80	100
Terminal Block Size	1.5mm <sup>2</sup>	←100→		48	x	x	x	x	x	x	x	
	2.5mm <sup>2</sup>	←177→			32	19	x	x	x	x	x	
	4mm <sup>2</sup>	←177→			126	36	20	x	x	x	x	
	6mm <sup>2</sup>	←111→				40	15	x	x	x	x	
	10mm <sup>2</sup>	←58→					38	12	x	x	x	
	16mm <sup>2</sup>	←48→						32	15	x	x	
35mm <sup>2</sup>	←18→								15			

- NOTES**
- The maximum terminal block content is based on vertical rail installation. For horizontal installations, consult factory.
  - For applications requiring multiple terminal block configurations and ampacities, consult factory.
  - For applications requiring larger terminal blocks or custom enclosure sizes, consult factory.
  - For conduit/cable spacings, wire bending and wire conversion guidelines, refer to the inside back cover of this catalog.

Increased Safety



## 15" x 15" x 8" Screw Cover



### STAINLESS STEEL 304

#### ENCLOSURES WITH TERMINALS

Catalog Number	Gland Plate
TSC4X-151508	None
TSC4X-151508-B	Side B
TSC4X-151508-AB	Sides A & B
TSC4X-151508-BCD	Sides B, C & D
TSC4X-151508-ABCD	Sides A, B, C & D

### STAINLESS STEEL 316L

#### ENCLOSURES WITH TERMINALS

Catalog Number	Gland Plate
TSC4X6-151508	None
TSC4X6-151508-B	Side B
TSC4X6-151508-AB	Sides A & B
TSC4X6-151508-BCD	Sides B, C & D
TSC4X6-151508-ABCD	Sides A, B, C & D

### MAXIMUM NUMBER OF CABLE/CONDUIT ENTRIES

SIZE		WITHOUT GLAND PLATES		WITH GLAND PLATES	
NPT	Metric	Sides A & B	Sides C & D	Sides A & B	Sides C & D
3/4	M20	36	36	24	21
1	M25	21	21	12	10
1 1/4	M32	10	10	10	8
1 1/2	M40	10	10	4	4
2	M50	8	8	3	3
2 1/2	M63	3	3	3	3

### MAXIMUM TERMINAL BLOCK CONTENT

MIN CONDUCTOR SIZE	.5mm <sup>2</sup>	1.5mm <sup>2</sup>	2.5mm <sup>2</sup>	4mm <sup>2</sup>	6mm <sup>2</sup>	10mm <sup>2</sup>	16mm <sup>2</sup>	35mm <sup>2</sup>			
MIN CONDUCTOR SIZE AWG	22	16	14	12	10	8	6	2			
MAXIMUM AMPERAGE	3	8	10	16	20	25	35	50	63	80	100
Terminal Block Size	1.5mm <sup>2</sup>	← 115 →	56	x	x	x	x	x	x	x	
	2.5mm <sup>2</sup>	← 177 →	37	21	x	x	x	x	x	x	
	4mm <sup>2</sup>	← 177 →	144	42	23	x	x	x	x	x	
	6mm <sup>2</sup>	← 111 →			45	18	x	x	x	x	
	10mm <sup>2</sup>	← 58 →				44	14	x	x	x	
	16mm <sup>2</sup>	← 48 →					37	17	x	x	
35mm <sup>2</sup>								← 18 →			

- NOTES**
- The maximum terminal block content is based on vertical rail installation. For horizontal installations, consult factory.
  - For applications requiring multiple terminal block configurations and ampacities, consult factory.
  - For applications requiring larger terminal blocks or custom enclosure sizes, consult factory.
  - For conduit/cable spacings, wire bending and wire conversion guidelines, refer to the inside back cover of this catalog.

Increased Safety

# TSC SERIES

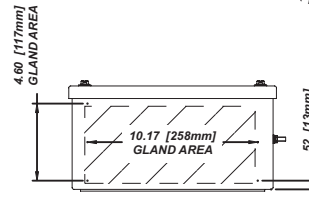
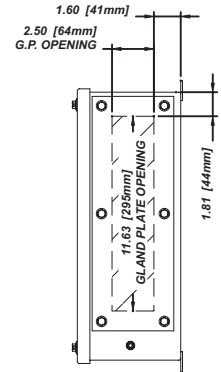
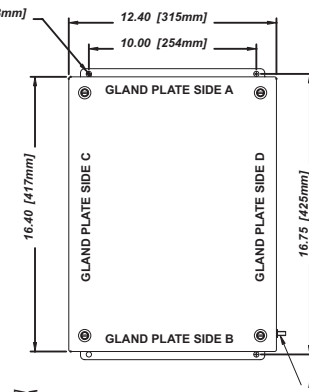
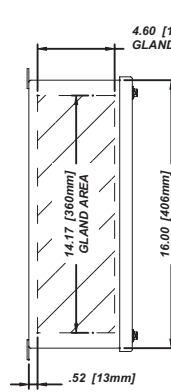
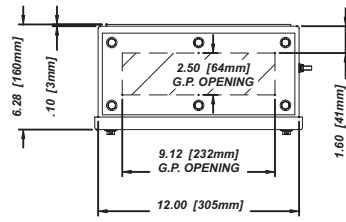
## 16" x 12" x 6" Screw Cover

### STAINLESS STEEL 304

ENCLOSURES WITH TERMINALS	
Catalog Number	Gland Plate
TSC4X-161206	None
TSC4X-161206-B	Side B
TSC4X-161206-AB	Sides A & B
TSC4X-161206-BCD	Sides B, C & D
TSC4X-161206-ABCD	Sides A, B, C & D

### STAINLESS STEEL 316L

ENCLOSURES WITH TERMINALS	
Catalog Number	Gland Plate
TSC4X6-161206	None
TSC4X6-161206-B	Side B
TSC4X6-161206-AB	Sides A & B
TSC4X6-161206-BCD	Sides B, C & D
TSC4X6-161206-ABCD	Sides A, B, C & D



### MAXIMUM NUMBER OF CABLE/CONDUIT ENTRIES

SIZE		WITHOUT GLAND PLATES		WITH GLAND PLATES	
NPT	Metric	Sides A & B	Sides C & D	Sides A & B	Sides C & D
1/2	M16	24	33	14	18
3/4	M20	21	27	6	8
1	M25	10	14	5	6
1 1/4	M32	8	12	4	5
1 1/2	M40	4	5	3	4
2	M50	3	4	3	3
2 1/2	M63	2	3	-	-

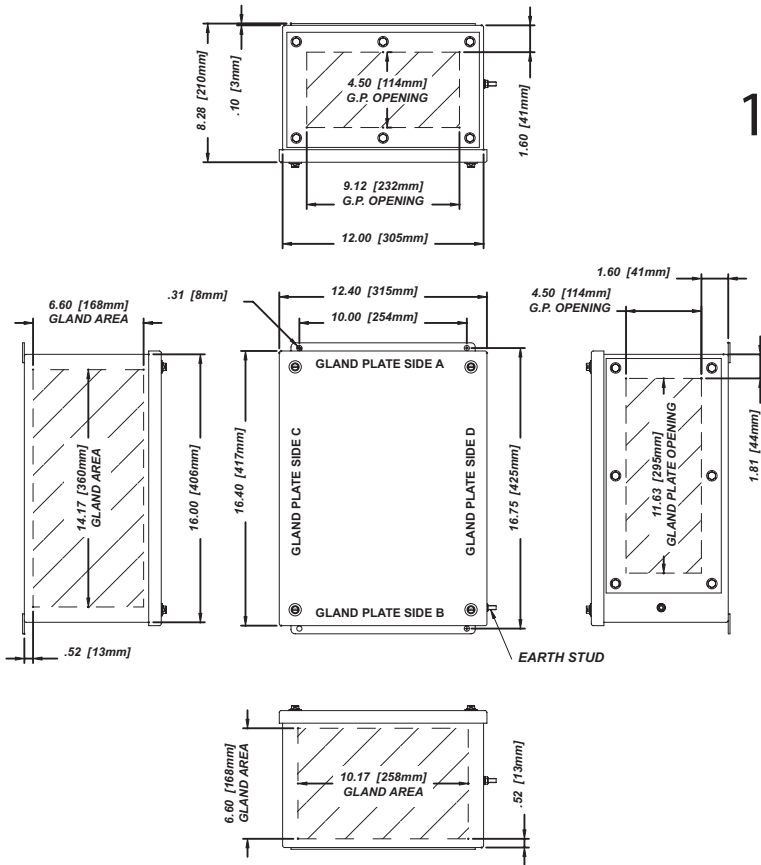
### MAXIMUM TERMINAL BLOCK CONTENT

MIN CONDUCTOR SIZE		.5mm <sup>2</sup>	1.5mm <sup>2</sup>	2.5mm <sup>2</sup>	4mm <sup>2</sup>	6mm <sup>2</sup>	10mm <sup>2</sup>	16mm <sup>2</sup>	35mm <sup>2</sup>			
MIN CONDUCTOR SIZE AWG		22	16	14	12	10	8	6	2			
MAXIMUM AMPERAGE		3	8	10	16	20	25	35	50	63	80	100
Terminal Block Size	1.5mm <sup>2</sup>	← 94 →	46	x	x	x	x	x	x	x	x	
	2.5mm <sup>2</sup>	← 128 →		30	17	x	x	x	x	x	x	
	4mm <sup>2</sup>	← 128 →		118	34	19	x	x	x	x	x	
	6mm <sup>2</sup>	← 80 →				37	14	x	x	x	x	
	10mm <sup>2</sup>	← 64 →					36	12	x	x	x	
	16mm <sup>2</sup>	← 26 →							14	x	x	
35mm <sup>2</sup>		x	x	x	x	x	x	x	x	x		

- NOTES**
- The maximum terminal block content is based on vertical rail installation. For horizontal installations, consult factory.
  - For applications requiring multiple terminal block configurations and ampacities, consult factory.
  - For applications requiring larger terminal blocks or custom enclosure sizes, consult factory.
  - For conduit/cable spacings, wire bending and wire conversion guidelines, refer to the inside back cover of this catalog.

Increased Safety

## 16" x 12" x 8" Screw Cover



### STAINLESS STEEL 304

#### ENCLOSURES WITH TERMINALS

Catalog Number	Gland Plate
TSC4X-161208	None
TSC4X-161208-B	Side B
TSC4X-161208-AB	Sides A & B
TSC4X-161208-BCD	Sides B, C & D
TSC4X-161208-ABCD	Sides A, B, C & D

### STAINLESS STEEL 316L

#### ENCLOSURES WITH TERMINALS

Catalog Number	Gland Plate
TSC4X6-161208	None
TSC4X6-161208-B	Side B
TSC4X6-161208-AB	Sides A & B
TSC4X6-161208-BCD	Sides B, C & D
TSC4X6-161208-ABCD	Sides A, B, C & D

### MAXIMUM NUMBER OF CABLE/CONDUIT ENTRIES

SIZE		WITHOUT GLAND PLATES		WITH GLAND PLATES	
NPT	Metric	Sides A & B	Sides C & D	Sides A & B	Sides C & D
1/2	M16	40	55	21	27
3/4	M20	28	36	18	24
1	M25	15	21	10	12
1 1/4	M32	8	12	8	10
1 1/2	M40	8	10	3	4
2	M50	6	8	3	3
2 1/2	M63	2	3	2	3

### MAXIMUM TERMINAL BLOCK CONTENT

MIN CONDUCTOR SIZE	.5mm <sup>2</sup>	1.5mm <sup>2</sup>	2.5mm <sup>2</sup>	4mm <sup>2</sup>	6mm <sup>2</sup>	10mm <sup>2</sup>	16mm <sup>2</sup>	35mm <sup>2</sup>			
MIN CONDUCTOR SIZE AWG	22	16	14	12	10	8	6	2			
MAXIMUM AMPERAGE	3	8	10	16	20	25	35	50	63	80	100
Terminal Block Size	1.5mm <sup>2</sup>	← 109 →	53	x	x	x	x	x	x	x	x
	2.5mm <sup>2</sup>	← 128 →	35	20	x	x	x	x	x	x	x
	4mm <sup>2</sup>	← 128 →	40	27	x	x	x	x	x	x	x
	6mm <sup>2</sup>	← 80 →	43	17	x	x	x	x	x	x	x
	10mm <sup>2</sup>	← 64 →	42	13	x	x	x	x	x	x	x
	16mm <sup>2</sup>	← 26 →	18	x	x	x	x	x	x	x	x
35mm <sup>2</sup>	x	x	x	x	x	x	x	x	x	x	

- NOTES**
- The maximum terminal block content is based on vertical rail installation. For horizontal installations, consult factory.
  - For applications requiring multiple terminal block configurations and ampacities, consult factory.
  - For applications requiring larger terminal blocks or custom enclosure sizes, consult factory.
  - For conduit/cable spacings, wire bending and wire conversion guidelines, refer to the inside back cover of this catalog.

# TSC SERIES

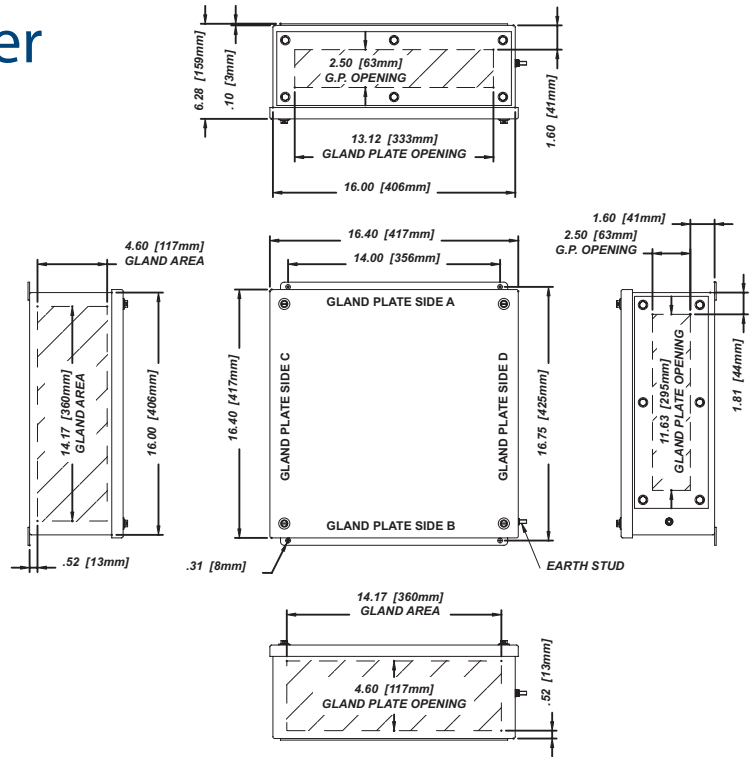
## 16" x 16" x 6" Screw Cover

### STAINLESS STEEL 304

ENCLOSURES WITH TERMINALS	
Catalog Number	Gland Plate
TSC4X-161606	None
TSC4X-161606-B	Side B
TSC4X-161606-AB	Sides A & B
TSC4X-161606-BCD	Sides B, C & D
TSC4X-161606-ABCD	Sides A, B, C & D

### STAINLESS STEEL 316L

ENCLOSURES WITH TERMINALS	
Catalog Number	Gland Plate
TSC4X6-161606	None
TSC4X6-161606-B	Side B
TSC4X6-161606-AB	Sides A & B
TSC4X6-161606-BCD	Sides B, C & D
TSC4X6-161606-ABCD	Sides A, B, C & D



### MAXIMUM NUMBER OF CABLE/CONDUIT ENTRIES

SIZE		WITHOUT GLAND PLATES		WITH GLAND PLATES	
NPT	Metric	Sides A & B	Sides C & D	Sides A & B	Sides C & D
1/2	M16	33	33	20	18
3/4	M20	27	27	9	8
1	M25	14	14	7	6
1 1/4	M32	12	12	5	5
1 1/2	M40	5	5	5	4
2	M50	4	4	4	3
2 1/2	M63	3	3	-	-

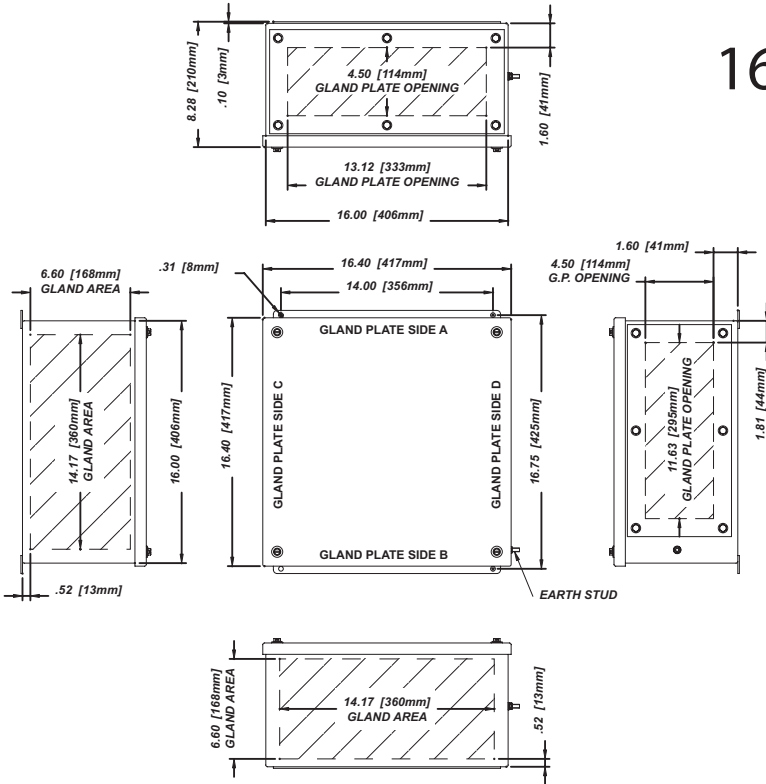
### MAXIMUM TERMINAL BLOCK CONTENT

MIN CONDUCTOR SIZE		.5mm <sup>2</sup>	1.5mm <sup>2</sup>	2.5mm <sup>2</sup>	4mm <sup>2</sup>	6mm <sup>2</sup>	10mm <sup>2</sup>	16mm <sup>2</sup>	35mm <sup>2</sup>			
MIN CONDUCTOR SIZE AWG		22	16	14	12	10	8	6	2			
MAXIMUM AMPERAGE		3	8	10	16	20	25	35	50	63	80	100
Terminal Block Size	1.5mm <sup>2</sup>	←104→		50	x	x	x	x	x	x	x	
	2.5mm <sup>2</sup>	←192→		33	19	x	x	x	x	x	x	
	4mm <sup>2</sup>	←192→		130	38	21	x	x	x	x	x	
	6mm <sup>2</sup>	←120→			41	16	x	x	x	x		
	10mm <sup>2</sup>	←96→				40	13	x	x	x		
	16mm <sup>2</sup>	←52→					33	15	x	x		
35mm <sup>2</sup>	←20→								16			

- NOTES**
- The maximum terminal block content is based on vertical rail installation. For horizontal installations, consult factory.
  - For applications requiring multiple terminal block configurations and ampacities, consult factory.
  - For applications requiring larger terminal blocks or custom enclosure sizes, consult factory.
  - For conduit/cable spacings, wire bending and wire conversion guidelines, refer to the inside back cover of this catalog.

Increased Safety

## 16" x 16" x 8" Screw Cover



### STAINLESS STEEL 304

#### ENCLOSURES WITH TERMINALS

Catalog Number	Gland Plate
TSC4X-161608	None
TSC4X-161608-B	Side B
TSC4X-161608-AB	Sides A & B
TSC4X-161608-BCD	Sides B, C & D
TSC4X-161608-ABCD	Sides A, B, C & D

### STAINLESS STEEL 316L

#### ENCLOSURES WITH TERMINALS

Catalog Number	Gland Plate
TSC4X6-161608	None
TSC4X6-161608-B	Side B
TSC4X6-161608-AB	Sides A & B
TSC4X6-161608-BCD	Sides B, C & D
TSC4X6-161608-ABCD	Sides A, B, C & D

### MAXIMUM NUMBER OF CABLE/CONDUIT ENTRIES

SIZE		WITHOUT GLAND PLATES		WITH GLAND PLATES	
NPT	Metric	Sides A & B	Sides C & D	Sides A & B	Sides C & D
1/2	M16	55	55	30	27
3/4	M20	36	36	27	24
1	M25	21	21	14	12
1 1/4	M32	12	12	10	10
1 1/2	M40	10	10	5	4
2	M50	8	8	4	3
2 1/2	M63	3	3	3	3

### MAXIMUM TERMINAL BLOCK CONTENT

MIN CONDUCTOR SIZE		.5mm <sup>2</sup>	1.5mm <sup>2</sup>	2.5mm <sup>2</sup>	4mm <sup>2</sup>	6mm <sup>2</sup>	10mm <sup>2</sup>	16mm <sup>2</sup>	35mm <sup>2</sup>			
MIN CONDUCTOR SIZE AWG		22	16	14	12	10	8	6	2			
MAXIMUM AMPERAGE		3	8	10	16	20	25	35	50	63	80	100
Terminal Block Size	1.5mm <sup>2</sup>	←119→		58	x	x	x	x	x	x	x	x
	2.5mm <sup>2</sup>	←192→		38	22	x	x	x	x	x	x	x
	4mm <sup>2</sup>	←192→		149	43	24	x	x	x	x	x	x
	6mm <sup>2</sup>	←120→			47	18	x	x	x	x	x	x
	10mm <sup>2</sup>	←96→				46	15	x	x	x	x	x
	16mm <sup>2</sup>	←52→					38	17	x	x	x	x
35mm <sup>2</sup>	←20→										18	

- NOTES**
- The maximum terminal block content is based on vertical rail installation. For horizontal installations, consult factory.
  - For applications requiring multiple terminal block configurations and ampacities, consult factory.

- For applications requiring larger terminal blocks or custom enclosure sizes, consult factory.
- For conduit/cable spacings, wire bending and wire conversion guidelines, refer to the inside back cover of this catalog.

# TN SERIES

## Clamped Door Terminal Enclosures

### STANDARD FEATURES

- 64 standard sizes available
- Stainless steel cover clamps and screws
- Continuous piano hinge with removable stainless steel pin
- Watertight silicone gasket
- Padlock hasp and staple
- Internal rail mounting system
- Ground stud on box and cover
- External ground stud
- Wall mounting feet

### DESIGN OPTIONS

- Gland plates (6" deep or greater) can be supplied pre-drilled or blank for field drilling
- Mounting panels
- Drilled entries and cut-outs
- Breather / drain
- Stopping plugs
- Terminal block assemblies
- Stainless steel mounting panels
- Cable glands and conduit fittings
- Internal earth bar
- Custom sizes

### MATERIAL

<b>TN4X Series</b>	#14ga Stainless Steel 304 - Brushed Finish
<b>TN4X6 Series</b>	#14ga Stainless Steel 316L - Brushed Finish
<b>TN4X Gland Plates</b>	#10ga Stainless Steel 304 - Brushed Finish
<b>TN4X Gland Plates</b>	#10ga Stainless Steel 316L - Brushed Finish

### GASKET

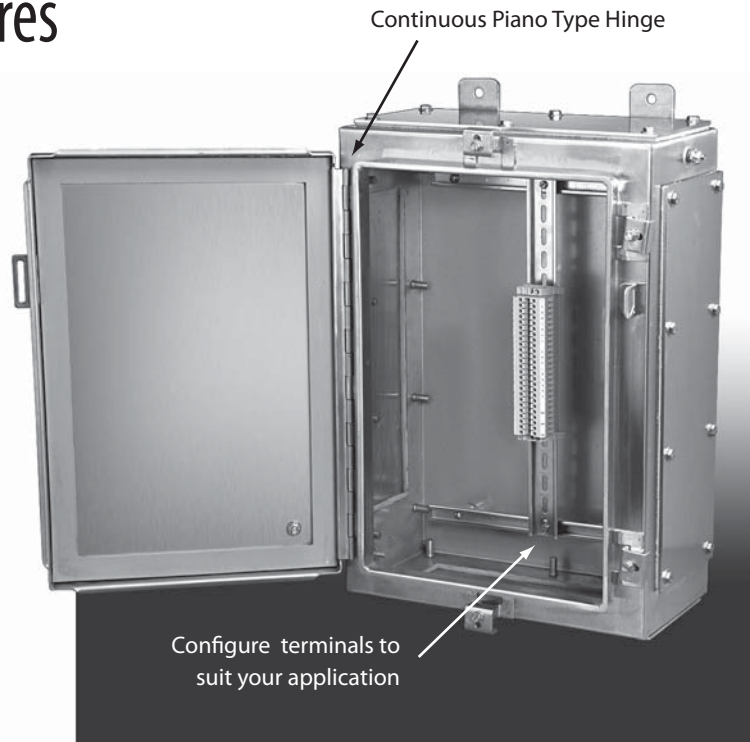
<b>Cover</b>	Silicone Sponge
<b>Gland Plates</b>	Silicone Sponge

**ENCLOSURE MOUNTING** Four (4) external lugs w/.44" clearance holes/slots

**GLAND PLATE HARDWARE** 300 Series Stainless Steel

### CERTIFICATIONS (POPULATED ENCLOSURE)

Class I, Division 2, Groups A, B, C, D  
 Class II, Division 2, Groups F, G  
 Class I, Zone 1, AEx e II T6 (T5: Ta ≤ +55° C) (T4: Ta ≤ 70° C)  
 Type 4X  
 Ex e II T6 (T5: Ta ≤ +55° C) (T4: Ta ≤ +70° C) (Canada)  
 DEMKO 01 ATEX 130437X  
 CE 0539 Ex II 2 G Ex e II T6 (T5: Ta ≤ +55° C) (T4: Ta ≤ +70° C)  
 CE 0539 Ex II 2 D Ex tD A21 IP66 T200° C  
 Ex tD A21 IP66 T200° C  
 IECEx UL 09.0016X  
 Ex e II T6 (T5: -20° ≤ Ta ≤ +55° C) (T4: -20° C ≤ Ta ≤ +70° C)  
 Ex tD A21 IP66 T 200° C



### LID FIXING

<b>Hinge -</b>	<b>TN4X</b>	Continuous piano type - SS304 with removable pin
	<b>TN4X6</b>	Continuous piano type - SS316L with removable pin
<b>Door Clamps -</b>	<b>TN4X</b>	Stainless Steel 304
	<b>TN4X6</b>	Stainless Steel 316L

### GROUNDING

<b>Box &amp; Cover</b>	1/4-20 Stud with 300 Series Stainless Steel hardware
------------------------	--

**IMPACT RESISTANT** 7 Nm

**AMBIENT TEMPERATURE RANGE** -20°C to +70°C

### CERTIFICATIONS (EMPTY ENCLOSURE)

Class II, Division 2  
 Class I, Zone 1, AEx e II  
 Type 4X  
 DEMKO 01 ATEX 0112700U  
 0539 Ex II 2D  
 Ex tD A21 IP66  
 DEMKO 01 ATEX 0112700U  
 IECEx UL 10.0031U  
 Ex e II  
 Ex tD A21 IP66



### MAXIMUM TERMINAL BLOCK CONTENT

ENCLOSURE	DEPTH			2.5mm <sup>2</sup>		4mm <sup>2</sup>		6mm <sup>2</sup>		10mm <sup>2</sup>		16mm <sup>2</sup>		35mm <sup>2</sup>	
				# Rows	Qty.	# Rows	Qty.	# Rows	Qty.	# Rows	Qty.	# Rows	Qty.	# Rows	Qty.
TN4X6-1224	06	08	-	5	170	5	170	5	105	5	85	3	42	2	20
TN4X6-1612	06	08	10	2	108	2	108	2	68	2	54	1	22	-	-
TN4X6-1616	06	08	-	3	162	3	162	3	102	3	81	2	44	1	17
TN4X6-1620	06	08	-	4	216	4	216	4	136	4	108	3	66	1	17
TN4X6-2012	06	08	-	2	148	2	148	2	94	2	74	1	31	-	-
TN4X6-201407	-	-	-	3	222	3	222	3	141	2	74	2	62	1	23
TN4X6-2016	06	08	10	3	222	3	222	3	141	3	111	2	62	1	23
TN4X6-2020	06	08	10	4	296	4	296	4	188	4	148	3	93	1	23
TN4X6-2024	06	08	-	5	370	5	370	5	235	5	185	3	93	2	46
TN4X6-2412	06	08	10	2	190	2	190	2	120	2	96	1	39	-	-
TN4X6-2416	06	08	-	3	285	3	285	3	180	3	144	2	78	1	29
TN4X6-2420	06	08	10	4	380	4	380	4	240	4	192	3	117	1	29
TN4X6-2424	06	08	10	5	475	5	475	5	300	5	240	3	117	2	58
TN4X6-243008	-	-	-	7	665	7	665	7	420	6	288	5	195	3	87
TN4X6-251807	-	-	-	4	400	4	400	4	252	3	150	2	84	1	31
TN4X6-301606	-	-	-	3	375	3	375	3	237	3	189	2	104	1	39
TN4X6-3020	06	08	10	4	500	4	500	4	316	4	252	3	156	1	39
TN4X6-302207	-	-	-	5	625	5	625	5	395	4	252	3	156	2	78
TN4X6-3024	06	08	10	5	625	5	625	5	395	5	315	3	156	2	78
TN4X6-303008	-	-	-	7	875	7	875	7	553	6	378	5	260	3	117
TN4X6-303608	-	-	-	8	1000	8	1000	8	632	7	441	6	312	3	117
TN4X6-362406	06	08	10	5	780	5	780	5	495	5	390	3	195	2	96
TN4X6-362507	-	-	-	6	936	6	936	6	594	5	390	4	260	2	96
TN4X6-3630	06	08	10	7	1092	7	1092	7	693	6	468	5	325	3	144
TN4X6-363608	-	-	-	8	1248	8	1248	8	792	7	546	6	390	3	144
TN4X6-392907	-	-	-	7	1197	7	1197	7	756	6	516	4	284	2	106
TN4X6-422408	-	-	-	5	930	5	930	5	590	5	470	3	234	2	116
TN4X6-4230	-	08	10	7	1302	7	1302	7	826	6	564	5	390	3	174
TN4X6-4236	-	08	10	8	1488	8	1488	8	944	7	658	6	468	3	174
TN4X6-482408	-	-	-	5	1085	5	1085	5	685	5	545	3	273	2	134
TN4X6-4830	-	08	10	7	1519	7	1519	7	959	6	654	5	455	3	201
TN4X6-4836	-	08	10	8	1736	8	1736	8	1096	7	763	6	546	3	201
TN4X6-6036	-	08	10	8	2224	8	2224	8	1408	7	980	6	696	3	258

Increased Safety

- NOTES**
- The TN4 Series is available either in SS316L (TN4X6) or SS304 (TN4X).
  - Refer to enclosure catalog page for dimensional information.
  - The maximum terminal block content is based on the following maximum permitted continuous current and minimum conductor size (See chart right)
  - For higher ampacities refer to enclosure catalog page.
  - The maximum terminal block content is based on vertical rail installation. For horizontal installations, consult factory.
  - For applications requiring multiple terminal block configurations and ampacities, consult factory.
  - For applications requiring larger terminal blocks or custom enclosure sizes, consult factory.

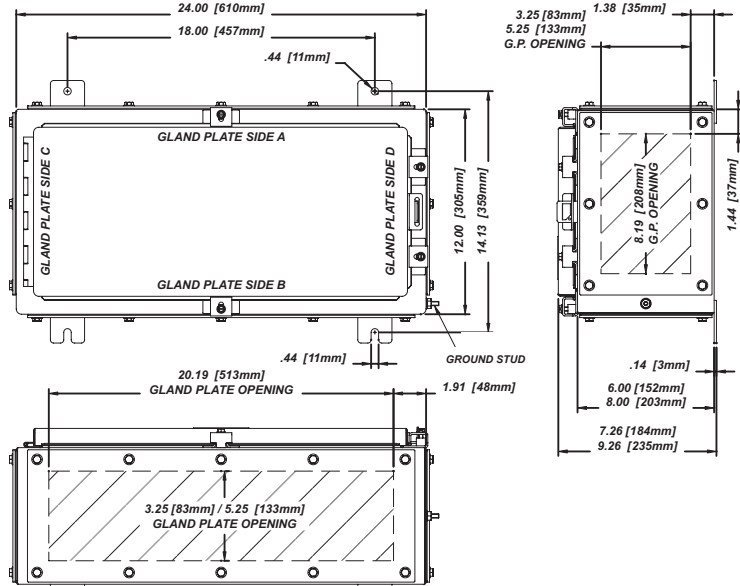
MAX CURRENT	MIN CONDUCTOR SIZE
10 AMPS	1 mm <sup>2</sup> (16 AWG)
16 AMPS	2.5 mm <sup>2</sup> (14 AWG)
20 AMPS	4 mm <sup>2</sup> (12 AWG)
25 AMPS	6 mm <sup>2</sup> (10 AWG)
35 AMPS	10 mm <sup>2</sup> (8 AWG)
63 AMPS	16 mm <sup>2</sup> (6 AWG)

# TN SERIES

## 12" x 24" Clamped Door

STAINLESS STEEL 316L

ENCLOSURES WITH TERMINALS		
6" [152.4mm] Depth	Catalog Number	Gland Plate
	TN4X6-122406	None
	TN4X6-122406-B	Side B
	TN4X6-122406-AB	Sides A & B
	TN4X6-122406-BCD	Sides B, C & D
8" [203.2mm] Depth	TN4X6-122408	None
	TN4X6-122408-B	Side B
	TN4X6-122408-AB	Sides A & B
	TN4X6-122408-BCD	Sides B, C & D
	TN4X6-122408-ABCD	Sides A, B, C & D



### MAXIMUM NUMBER OF CABLE/CONDUIT ENTRIES

SIZE		WITHOUT GLAND PLATES						WITH GLAND PLATES					
NPT	Metric	Sides A & B			Sides C & D			Sides A & B			Sides C & D		
		06	08	10	06	08	10	06	08	10	06	08	10
1/2	M16	95	114	-	45	54	-	32	64	-	12	24	-
3/4	M20	64	80	-	32	40	-	26	39	-	10	15	-
1	M25	39	52	-	18	24	-	22	33	-	4	12	-
1 1/4	M32	20	30	-	10	15	-	8	16	-	3	6	-
1 1/2	M40	18	27	-	8	12	-	7	14	-	3	6	-
2	M50	14	14	-	6	6	-	6	6	-	2	2	-
2 1/2	M63	6	12	-	3	6	-	5	5	-	2	2	-

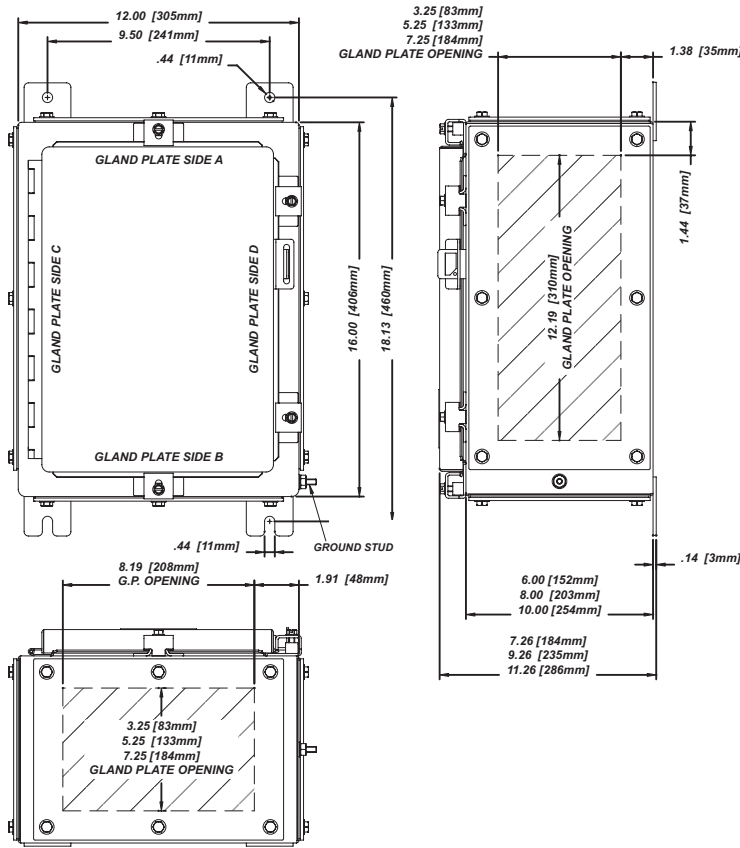
### MAXIMUM TERMINAL BLOCK CONTENT

MIN CONDUCTOR SIZE		.5mm <sup>2</sup>	1.5mm <sup>2</sup>	2.5mm <sup>2</sup>	4mm <sup>2</sup>	6mm <sup>2</sup>	10mm <sup>2</sup>	16mm <sup>2</sup>	35mm <sup>2</sup>
MIN CONDUCTOR SIZE AWG		22	16	14	12	10	8	6	2
MAXIMUM AMPERAGE		3	8 10	16 20	25	35	50	63	80 100
Terminal Block Size	1.5mm <sup>2</sup>	← 99 →		48	x	x	x	x	x
	2.5mm <sup>2</sup>	← 170 →		32	18	x	x	x	x
	4mm <sup>2</sup>	← 170 →		124	36	20	x	x	x
	6mm <sup>2</sup>	← 105 →			39	15	x	x	x
	10mm <sup>2</sup>	← 85 →				38	12	x	x
	16mm <sup>2</sup>	← 42 →					31	14	x
	35mm <sup>2</sup>			← 20 →					15

- NOTES**
- For stainless steel 304 construction, substitute TN4X6 prefix with TN4X.
  - The maximum terminal block content is based on vertical rail installation. For horizontal installations, consult factory.
  - For applications requiring multiple terminal block configurations and ampacities, consult factory.
  - For applications requiring larger terminal blocks or custom enclosure sizes, consult factory.
  - For conduit/cable spacings, wire bending and wire conversion guidelines, refer to the inside back cover of this catalog.



## 16" x 12" Clamped Door



STAINLESS STEEL 316L

ENCLOSURES WITH TERMINALS		
Catalog Number	Gland Plate	
6" [152.4mm] Depth	TN4X6-161206	None
	TN4X6-161206-B	Side B
	TN4X6-161206-AB	Sides A & B
	TN4X6-161206-BCD	Sides B, C & D
	TN4X6-161206-ABCD	Sides A, B, C & D
8" [203.2mm] Depth	TN4X6-161208	None
	TN4X6-161208-B	Side B
	TN4X6-161208-AB	Sides A & B
	TN4X6-161208-BCD	Sides B, C & D
10" [254.0mm] Depth	TN4X6-161210	None
	TN4X6-161210-B	Side B
	TN4X6-161210-AB	Sides A & B
	TN4X6-161210-BCD	Sides B, C & D

Increased Safety

### MAXIMUM NUMBER OF CABLE/CONDUIT ENTRIES

SIZE		WITHOUT GLAND PLATES						WITH GLAND PLATES					
NPT	Metric	Sides A & B			Sides C & D			Sides A & B			Sides C & D		
		06	08	10	06	08	10	06	08	10	06	08	10
1/2	M16	45	54	72	60	72	96	12	24	36	18	36	54
3/4	M20	32	40	48	40	50	60	10	15	25	16	24	40
1	M25	18	24	30	24	32	40	4	12	16	6	18	24
1 1/4	M32	10	15	20	12	18	24	3	6	9	5	10	15
1 1/2	M40	8	12	16	10	15	20	3	6	6	4	8	8
2	M50	6	6	9	8	8	12	2	2	4	3	3	6
2 1/2	M63	3	6	6	4	8	8	2	2	4	3	3	6

### MAXIMUM TERMINAL BLOCK CONTENT

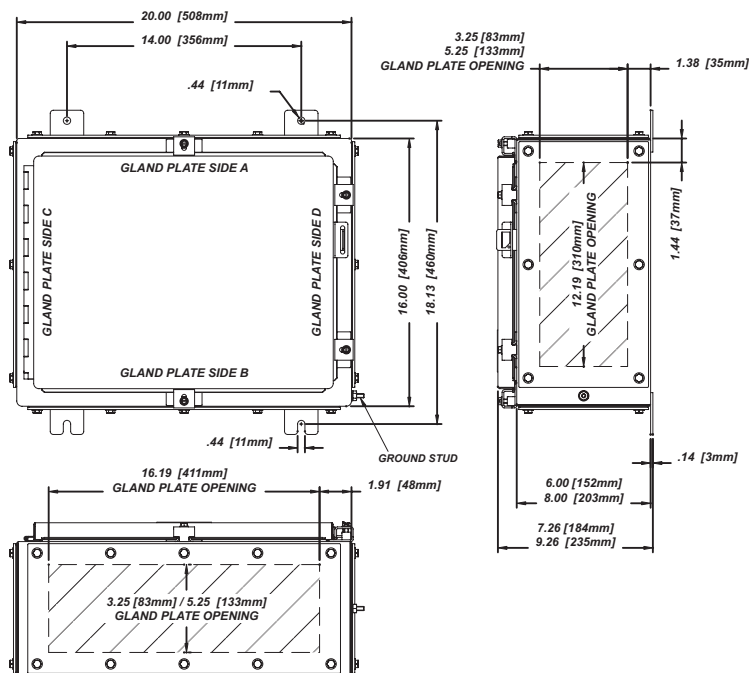
MIN CONDUCTOR SIZE	.5mm <sup>2</sup>	1.5mm <sup>2</sup>	2.5mm <sup>2</sup>	4mm <sup>2</sup>	6mm <sup>2</sup>	10mm <sup>2</sup>	16mm <sup>2</sup>	35mm <sup>2</sup>			
MIN CONDUCTOR SIZE AWG	22	16	14	12	10	8	6	2			
MAXIMUM AMPERAGE	3	8	10	16	20	25	35	50	63	80	100
Terminal Block Size	1.5mm <sup>2</sup>	← 94 →	46	x	x	x	x	x	x	x	x
	2.5mm <sup>2</sup>	← 108 →		30	17	x	x	x	x	x	x
	4mm <sup>2</sup>	← 108 →			34	19	x	x	x	x	x
	6mm <sup>2</sup>	← 68 →				37	14	x	x	x	x
	10mm <sup>2</sup>	← 54 →						36	12	x	x
	16mm <sup>2</sup>	← 22 →								30	14
35mm <sup>2</sup>	x	x	x	x	x	x	x	x	x	x	x

- NOTES**
- For stainless steel 304 construction, substitute TN4X6 prefix with TN4X.
  - The maximum terminal block content is based on vertical rail installation. For horizontal installations, consult factory.
  - For applications requiring multiple terminal block configurations and ampacities, consult factory.

- For applications requiring larger terminal blocks or custom enclosure sizes, consult factory.
- For applications requiring multiple terminal block configurations and ampacities, consult factory.
- For applications requiring multiple terminal block configurations and ampacities, consult factory.



## 16" x 20" Clamped Door



### STAINLESS STEEL 316L

ENCLOSURES WITH TERMINALS	
Catalog Number	Gland Plate
TN4X6-162006	None
TN4X6-162006-B	Side B
TN4X6-162006-AB	Sides A & B
TN4X6-162006-BCD	Sides B, C & D
TN4X6-162006-ABCD	Sides A, B, C & D
TN4X6-162008	None
TN4X6-162008-B	Side B
TN4X6-162008-AB	Sides A & B
TN4X6-162008-BCD	Sides B, C & D
TN4X6-162008-ABCD	Sides A, B, C & D

### MAXIMUM NUMBER OF CABLE/CONDUIT ENTRIES

SIZE		WITHOUT GLAND PLATES						WITH GLAND PLATES					
		Sides A & B			Sides C & D			Sides A & B			Sides C & D		
NPT	Metric	06	08	10	06	08	10	06	08	10	06	08	10
1/2	M16	80	96	-	60	72	-	26	52	-	18	36	-
3/4	M20	52	65	-	40	50	-	22	33	-	16	24	-
1	M25	30	40	-	24	32	-	8	24	-	6	18	-
1 1/4	M32	16	24	-	12	18	-	7	14	-	5	10	-
1 1/2	M40	14	21	-	10	15	-	6	12	-	4	8	-
2	M50	12	12	-	8	8	-	5	5	-	3	3	-
2 1/2	M63	5	10	-	4	8	-	4	4	-	3	3	-

### MAXIMUM TERMINAL BLOCK CONTENT

MIN CONDUCTOR SIZE		.5mm <sup>2</sup>	1.5mm <sup>2</sup>	2.5mm <sup>2</sup>		4mm <sup>2</sup>	6mm <sup>2</sup>	10mm <sup>2</sup>	16mm <sup>2</sup>	35mm <sup>2</sup>			
MIN CONDUCTOR SIZE AWG		22	16	14		12	10	8	6	2			
MAXIMUM AMPERAGE		3	8	10	16	20	25	35	50	63	80	100	
Terminal Block Size	1.5mm <sup>2</sup>	← 110 →		53	x	x	x	x	x	x	x	x	
	2.5mm <sup>2</sup>	← 216 →			35	20	x	x	x	x	x	x	
	4mm <sup>2</sup>	← 216 →			138	40	22	x	x	x	x	x	
	6mm <sup>2</sup>	← 136 →					43	17	x	x	x	x	
	10mm <sup>2</sup>	← 108 →							42	13	x	x	x
	16mm <sup>2</sup>	← 66 →									35	16	x
35mm <sup>2</sup>	← 17 →												

- NOTES**
1. For stainless steel 304 construction, substitute TN4X6 prefix with TN4X.
  2. The maximum terminal block content is based on vertical rail installation. For horizontal installations, consult factory.
  3. For applications requiring multiple terminal block configurations and ampacities, consult factory.

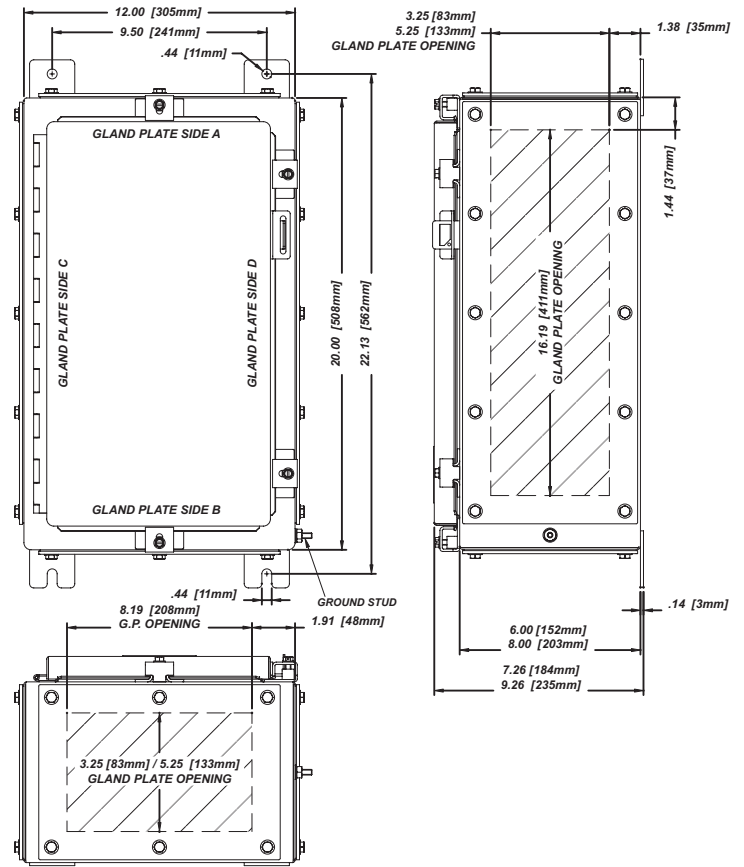
4. For applications requiring larger terminal blocks or custom enclosure sizes, consult factory.
5. For conduit/cable spacings, wire bending and wire conversion guidelines, refer to the inside back cover of this catalog.

# TN SERIES

## 20" x 12" Clamped Door

STAINLESS STEEL 316L

ENCLOSURES WITH TERMINALS		
6" (152.4mm) Depth	Catalog Number	Gland Plate
	TN4X6-201206	None
	TN4X6-201206-B	Side B
	TN4X6-201206-AB	Sides A & B
	TN4X6-201206-BCD	Sides B, C & D
8" (203.2mm) Depth	Catalog Number	Gland Plate
	TN4X6-201208	None
	TN4X6-201208-B	Side B
	TN4X6-201208-AB	Sides A & B
	TN4X6-201208-BCD	Sides B, C & D
TN4X6-201208-ABCD	Sides A, B, C & D	



### MAXIMUM NUMBER OF CABLE/CONDUIT ENTRIES

SIZE		WITHOUT GLAND PLATES						WITH GLAND PLATES					
NPT	Metric	Sides A & B			Sides C & D			Sides A & B			Sides C & D		
		06	08	10	06	08	10	06	08	10	06	08	10
1/2	M16	40	48	-	75	80	-	12	24	-	26	52	-
3/4	M20	28	35	-	48	60	-	10	15	-	22	33	-
1	M25	18	24	-	30	40	-	4	12	-	8	24	-
1 1/4	M32	8	12	-	16	24	-	3	6	-	7	14	-
1 1/2	M40	8	12	-	14	21	-	3	6	-	6	12	-
2	M50	6	6	-	10	10	-	2	2	-	5	5	-
2 1/2	M63	3	6	-	5	10	-	2	2	-	4	4	-

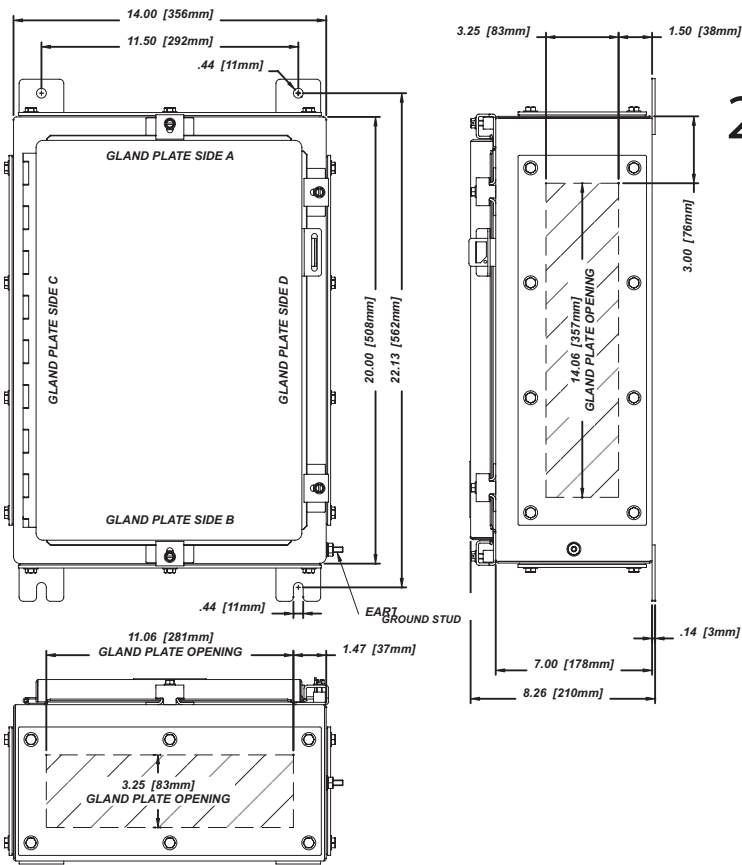
### MAXIMUM TERMINAL BLOCK CONTENT

MIN CONDUCTOR SIZE		.5mm <sup>2</sup>	1.5mm <sup>2</sup>	2.5mm <sup>2</sup>	4mm <sup>2</sup>	6mm <sup>2</sup>	10mm <sup>2</sup>	16mm <sup>2</sup>	35mm <sup>2</sup>			
MIN CONDUCTOR SIZE AWG		22	16	14	12	10	8	6	2			
MAXIMUM AMPERAGE		3	8	10	16	20	25	35	50	63	80	100
Terminal Block Size	1.5mm <sup>2</sup>	← 97 →		47	x	x	x	x	x	x	x	x
	2.5mm <sup>2</sup>	← 148 →			31	18	x	x	x	x	x	x
	4mm <sup>2</sup>	← 148 →			122	35	20	x	x	x	x	x
	6mm <sup>2</sup>	← 94 →				36	15	x	x	x	x	x
	10mm <sup>2</sup>	← 74 →					37	12	x	x	x	x
	16mm <sup>2</sup>	← 31 →						14	x	x	x	x
35mm <sup>2</sup>	x	x	x	x	x	x	x	x	x	x	x	

- NOTES**
- For stainless steel 304 construction, substitute TN4X6 prefix with TN4X.
  - The maximum terminal block content is based on vertical rail installation. For horizontal installations, consult factory.
  - For applications requiring multiple terminal block configurations and ampacities, consult factory.
  - For applications requiring larger terminal blocks or custom enclosure sizes, consult factory.
  - For conduit/cable spacings, wire bending and wire conversion guidelines, refer to the inside back cover of this catalog.

Increased Safety

## 20" x 14" x 7" Clamped Door



STAINLESS STEEL 316L

ENCLOSURES WITH TERMINALS	
Catalog Number	Gland Plate
TN4X6-201407	None
TN4X6-201407-B	Side B
TN4X6-201407-AB	Sides A & B
TN4X6-201407-BCD	Sides B, C & D
TN4X6-201407-ABCD	Sides A, B, C & D

### MAXIMUM NUMBER OF CABLE/CONDUIT ENTRIES

SIZE		WITHOUT GLAND PLATES		WITH GLAND PLATES	
NPT	Metric	Sides A & B	Sides C & D	Sides A & B	Sides C & D
1/2	M16	55	75	18	22
3/4	M20	36	48	14	18
1	M25	21	30	6	7
1 1/4	M32	12	16	4	6
1 1/2	M40	10	14	4	5
2	M50	8	10	3	4
2 1/2	M63	3	5	3	3

### MAXIMUM TERMINAL BLOCK CONTENT

MIN CONDUCTOR SIZE		.5mm <sup>2</sup>	1.5mm <sup>2</sup>	2.5mm <sup>2</sup>	4mm <sup>2</sup>	6mm <sup>2</sup>	10mm <sup>2</sup>	16mm <sup>2</sup>	35mm <sup>2</sup>			
MIN CONDUCTOR SIZE AWG		22	16	14	12	10	8	6	2			
MAXIMUM AMPERAGE		3	8	10	16	20	25	35	50	63	80	100
Terminal Block Size	1.5mm <sup>2</sup>	← 104 →		50	x	x	x	x	x	x	x	
	2.5mm <sup>2</sup>	← 222 →		33	19	x	x	x	x	x	x	
	4mm <sup>2</sup>	← 222 →		131	38	21	x	x	x	x	x	
	6mm <sup>2</sup>	← 141 →			41	16	x	x	x	x		
	10mm <sup>2</sup>	← 74 →				40	13	x	x	x		
	16mm <sup>2</sup>	← 62 →					33	15	x	x		
35mm <sup>2</sup>	← 23 →								16			

- NOTES**
- For stainless steel 304 construction, substitute TN4X6 prefix with TN4X.
  - The maximum terminal block content is based on vertical rail installation. For horizontal installations, consult factory.
  - For applications requiring multiple terminal block configurations and ampacities, consult factory.

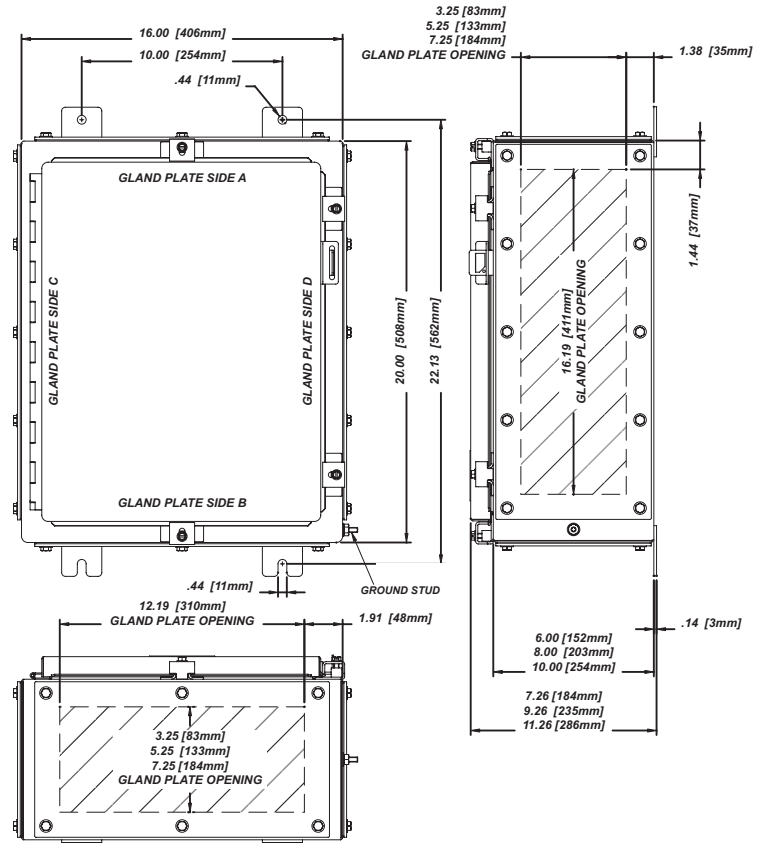
- For applications requiring larger terminal blocks or custom enclosure sizes, consult factory.
- For applications requiring multiple terminal block configurations and ampacities, consult factory.

# TN SERIES

## 20" x 16" Clamped Door

STAINLESS STEEL 316L

ENCLOSURES WITH TERMINALS		
6" [152.4mm] Depth	Catalog Number	Gland Plate
	TN4X6-201606	None
	TN4X6-201606-B	Side B
	TN4X6-201606-AB	Sides A & B
	TN4X6-201606-BCD	Sides B, C & D
8" [203.2mm] Depth	Catalog Number	Gland Plate
	TN4X6-201608	None
	TN4X6-201608-B	Side B
	TN4X6-201608-AB	Sides A & B
	TN4X6-201608-BCD	Sides B, C & D
10" [254.0mm] Depth	Catalog Number	Gland Plate
	TN4X6-201610	None
	TN4X6-201610-B	Side B
	TN4X6-201610-AB	Sides A & B
	TN4X6-201610-BCD	Sides B, C & D



Increased Safety

### MAXIMUM NUMBER OF CABLE/CONDUIT ENTRIES

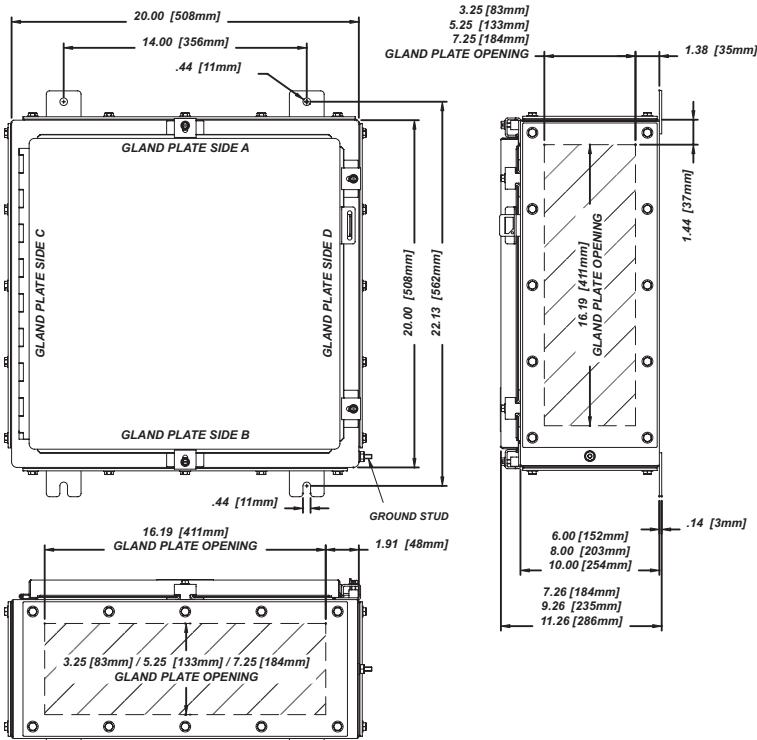
SIZE		WITHOUT GLAND PLATES						WITH GLAND PLATES					
NPT	Metric	Sides A & B			Sides C & D			Sides A & B			Sides C & D		
		06	08	10	06	08	10	06	08	10	06	08	10
1/2	M16	65	78	104	75	90	120	18	36	54	26	52	78
3/4	M20	40	50	60	48	60	72	16	24	40	22	33	55
1	M25	24	32	40	30	40	50	6	18	24	8	24	32
1 1/4	M32	12	18	24	16	24	32	5	10	15	7	14	21
1 1/2	M40	12	18	24	14	21	28	4	8	8	6	12	12
2	M50	10	10	15	10	10	15	3	3	6	5	5	10
2 1/2	M63	4	8	8	5	10	10	3	3	6	4	4	8

### MAXIMUM TERMINAL BLOCK CONTENT

MIN CONDUCTOR SIZE		.5mm <sup>2</sup>	1.5mm <sup>2</sup>	2.5mm <sup>2</sup>	4mm <sup>2</sup>	6mm <sup>2</sup>	10mm <sup>2</sup>	16mm <sup>2</sup>	35mm <sup>2</sup>			
MIN CONDUCTOR SIZE AWG		22	16	14	12	10	8	6	2			
MAXIMUM AMPERAGE		3	8	10	16	20	25	35	50	63	80	100
Terminal Block Size	1.5mm <sup>2</sup>	←110→		53	x	x	x	x	x	x	x	x
	2.5mm <sup>2</sup>	←222→		35	20	x	x	x	x	x	x	x
	4mm <sup>2</sup>	←222→		138	40	22	x	x	x	x	x	x
	6mm <sup>2</sup>	←141→			43	17	x	x	x	x	x	x
	10mm <sup>2</sup>	←111→				42	13	x	x	x	x	x
	16mm <sup>2</sup>	←62→					35	16	x	x	x	x
35mm <sup>2</sup>	←23→										17	

- NOTES**
- For stainless steel 304 construction, substitute TN4X6 prefix with TN4X.
  - The maximum terminal block content is based on vertical rail installation. For horizontal installations, consult factory.
  - For applications requiring multiple terminal block configurations and ampacities, consult factory.
  - For applications requiring larger terminal blocks or custom enclosure sizes, consult factory.
  - For conduit/cable spacings, wire bending and wire conversion guidelines, refer to the inside back cover of this catalog.

## 20" x 20" Clamped Door



STAINLESS STEEL 316L

ENCLOSURES WITH TERMINALS	
Catalog Number	Gland Plate
TN4X6-202006	None
TN4X6-202006-B	Side B
TN4X6-202006-AB	Sides A & B
TN4X6-202006-BCD	Sides B, C & D
TN4X6-202006-ABCD	Sides A, B, C & D
TN4X6-202008	None
TN4X6-202008-B	Side B
TN4X6-202008-AB	Sides A & B
TN4X6-202008-BCD	Sides B, C & D
TN4X6-202008-ABCD	Sides A, B, C & D
TN4X6-202010	None
TN4X6-202010-B	Side B
TN4X6-202010-AB	Sides A & B
TN4X6-202010-BCD	Sides B, C & D
TN4X6-202010-ABCD	Sides A, B, C & D

Increased Safety

### MAXIMUM NUMBER OF CABLE/CONDUIT ENTRIES

SIZE		WITHOUT GLAND PLATES						WITH GLAND PLATES					
		Sides A & B			Sides C & D			Sides A & B			Sides C & D		
NPT	Metric	06	08	10	06	08	10	06	08	10	06	08	10
1/2	M16	80	96	128	75	90	120	26	52	78	26	52	78
3/4	M20	52	65	78	48	60	72	22	33	55	22	33	55
1	M25	30	40	50	30	40	50	8	24	32	8	24	32
1 1/4	M32	16	24	32	16	24	32	7	14	21	7	14	21
1 1/2	M40	14	21	28	14	21	28	6	12	12	6	12	12
2	M50	12	12	18	10	10	15	5	5	12	5	5	10
2 1/2	M63	5	10	10	5	10	10	4	4	8	4	4	8

### MAXIMUM TERMINAL BLOCK CONTENT

MIN CONDUCTOR SIZE	.5mm <sup>2</sup>	1.5mm <sup>2</sup>	2.5mm <sup>2</sup>	4mm <sup>2</sup>	6mm <sup>2</sup>	10mm <sup>2</sup>	16mm <sup>2</sup>	35mm <sup>2</sup>				
MIN CONDUCTOR SIZE AWG	22	16	14	12	10	8	6	2				
MAXIMUM AMPERAGE	3	8	10	16	20	25	35	50	63	80	100	
Terminal Block Size	1.5mm <sup>2</sup>	←119→	58	x	x	x	x	x	x	x	x	
	2.5mm <sup>2</sup>	←296→		38	22	x	x	x	x	x	x	
	4mm <sup>2</sup>	←296→		149	43	24	x	x	x	x	x	
	6mm <sup>2</sup>		←188→			47	18	x	x	x	x	
	10mm <sup>2</sup>			←148→				46	15	x	x	
	16mm <sup>2</sup>				←93→					38	17	x
35mm <sup>2</sup>											←23→	18

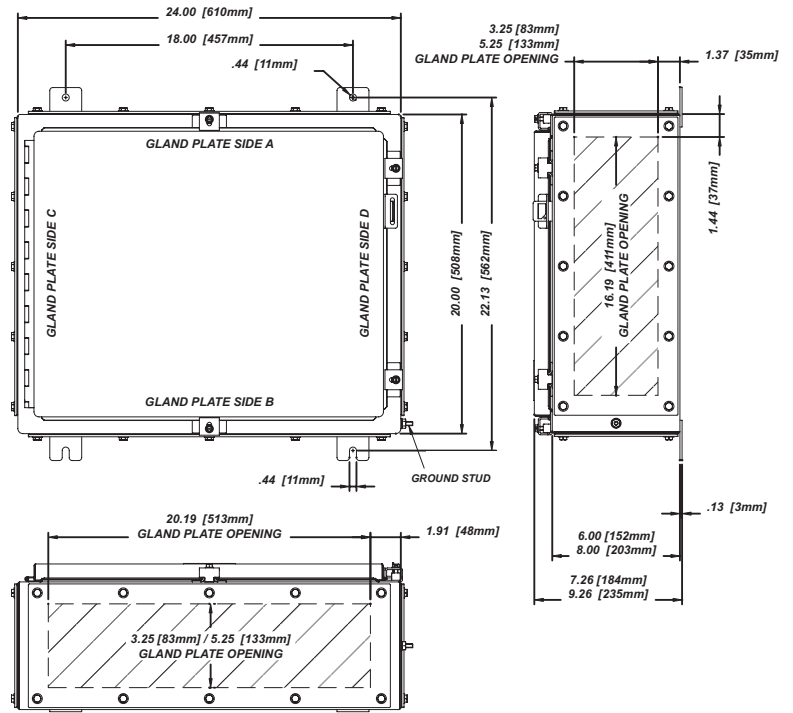
- NOTES**
1. For stainless steel 304 construction, substitute TN4X6 prefix with TN4X.
  2. The maximum terminal block content is based on vertical rail installation. For horizontal installations, consult factory.
  3. For applications requiring multiple terminal block configurations and ampacities, consult factory.
  4. For applications requiring larger terminal blocks or custom enclosure sizes, consult factory.
  5. For conduit/cable spacings, wire bending and wire conversion guidelines, refer to the inside back cover of this catalog.

# TN SERIES

## 20" x 24" Clamped Door

STAINLESS STEEL 316L

ENCLOSURES WITH TERMINALS	
6" [152.4mm] Depth	Catalog Number   Gland Plate
	TN4X6-202406   None
	TN4X6-202406-B   Side B
	TN4X6-202406-AB   Sides A & B
	TN4X6-202406-BCD   Sides B, C & D
8" [203.2mm] Depth	TN4X6-202408   None
	TN4X6-202408-B   Side B
	TN4X6-202408-AB   Sides A & B
	TN4X6-202408-BCD   Sides B, C & D
	TN4X6-202408-ABCD   Sides A, B, C & D



### MAXIMUM NUMBER OF CABLE/CONDUIT ENTRIES

SIZE		WITHOUT GLAND PLATES						WITH GLAND PLATES					
NPT	Metric	Sides A & B			Sides C & D			Sides A & B			Sides C & D		
		06	08	10	06	08	10	06	08	10	06	08	10
1/2	M16	80	96	-	90	108	-	32	64	-	26	52	-
3/4	M20	52	65	-	60	75	-	26	39	-	22	33	-
1	M25	30	40	-	36	48	-	11	33	-	8	24	-
1 1/4	M32	16	24	-	18	27	-	8	16	-	7	14	-
1 1/2	M40	14	21	-	16	24	-	7	14	-	6	12	-
2	M50	12	12	-	14	14	-	6	6	-	5	5	-
2 1/2	M63	5	10	-	6	12	-	5	5	-	4	4	-

### MAXIMUM TERMINAL BLOCK CONTENT

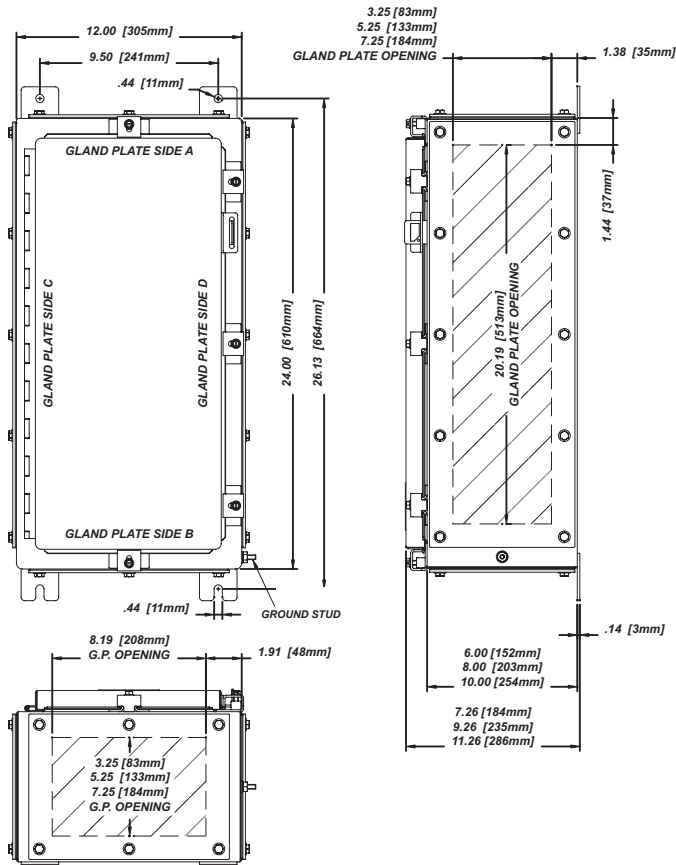
MIN CONDUCTOR SIZE		.5mm <sup>2</sup>	1.5mm <sup>2</sup>	2.5mm <sup>2</sup>	4mm <sup>2</sup>	6mm <sup>2</sup>	10mm <sup>2</sup>	16mm <sup>2</sup>	35mm <sup>2</sup>			
MIN CONDUCTOR SIZE AWG		22	16	14	12	10	8	6	2			
MAXIMUM AMPERAGE		3	8	10	16	20	25	35	50	63	80	100
Terminal Block Size	1.5mm <sup>2</sup>	←125→		61	x	x	x	x	x	x	x	x
	2.5mm <sup>2</sup>	←370→			40	23	x	x	x	x	x	x
	4mm <sup>2</sup>	←370→			157	45	25	x	x	x	x	x
	6mm <sup>2</sup>	←235→				49	19	x	x	x	x	x
	10mm <sup>2</sup>	←185→					48	15	x	x	x	x
	16mm <sup>2</sup>	←93→						40	18	x	x	x
35mm <sup>2</sup>	←46→									19		

- NOTES**
1. For stainless steel 304 construction, substitute TN4X6 prefix with TN4X.
  2. The maximum terminal block content is based on vertical rail installation. For horizontal installations, consult factory.
  3. For applications requiring multiple terminal block configurations and ampacities, consult factory.
  4. For applications requiring larger terminal blocks or custom enclosure sizes, consult factory.
  5. For conduit/cable spacings, wire bending and wire conversion guidelines, refer to the inside back cover of this catalog.

Increased Safety



## 24" x 12" Clamped Door



STAINLESS STEEL 316L

ENCLOSURES WITH TERMINALS	
Catalog Number	Gland Plate
TN4X6-241206	None
TN4X6-241206-B	Side B
TN4X6-241206-AB	Sides A & B
TN4X6-241206-BCD	Sides B, C & D
TN4X6-241206-ABCD	Sides A, B, C & D
TN4X6-241208	None
TN4X6-241208-B	Side B
TN4X6-241208-AB	Sides A & B
TN4X6-241208-BCD	Sides B, C & D
TN4X6-241208-ABCD	Sides A, B, C & D
TN4X6-241210	None
TN4X6-241210-B	Side B
TN4X6-241210-AB	Sides A & B
TN4X6-241210-BCD	Sides B, C & D
TN4X6-241210-ABCD	Sides A, B, C & D

MAXIMUM NUMBER OF CABLE/CONDUIT ENTRIES

SIZE		WITHOUT GLAND PLATES						WITH GLAND PLATES					
		Sides A & B			Sides C & D			Sides A & B			Sides C & D		
NPT	Metric	06	08	10	06	08	10	06	08	10	06	08	10
1/2	M16	45	54	72	90	108	144	12	24	36	32	64	96
3/4	M20	32	40	48	60	75	90	10	15	25	26	39	65
1	M25	18	24	30	36	48	60	4	12	16	11	33	44
1 1/4	M32	10	15	20	18	27	36	3	6	9	8	16	24
1 1/2	M40	8	12	16	16	24	32	3	6	6	7	14	14
2	M50	6	6	9	14	14	21	2	2	4	6	6	12
2 1/2	M63	3	6	6	6	12	12	2	2	4	5	5	10

MAXIMUM TERMINAL BLOCK CONTENT

MIN CONDUCTOR SIZE	.5mm <sup>2</sup>	1.5mm <sup>2</sup>	2.5mm <sup>2</sup>	4mm <sup>2</sup>	6mm <sup>2</sup>	10mm <sup>2</sup>	16mm <sup>2</sup>	35mm <sup>2</sup>
MIN CONDUCTOR SIZE AWG	22	16	14	12	10	8	6	2
MAXIMUM AMPERAGE	3	8	10	16	20	25	35	50
Terminal Block Size	1.5mm <sup>2</sup>	← 99 →	48	x	x	x	x	x
	2.5mm <sup>2</sup>	← 190 →	32	18	x	x	x	x
	4mm <sup>2</sup>	← 190 →	124	36	20	x	x	x
	6mm <sup>2</sup>	← 120 →			39	15	x	x
	10mm <sup>2</sup>	← 96 →				38	12	x
	16mm <sup>2</sup>	← 39 →					31	14
35mm <sup>2</sup>	x	x	x	x	x	x	x	

- NOTES**
- For stainless steel 304 construction, substitute TN4X6 prefix with TN4X.
  - The maximum terminal block content is based on vertical rail installation. For horizontal installations, consult factory.
  - For applications requiring multiple terminal block configurations and ampacities, consult factory.
  - For applications requiring larger terminal blocks or custom enclosure sizes, consult factory.
  - For conduit/cable spacings, wire bending and wire conversion guidelines, refer to the inside back cover of this catalog.

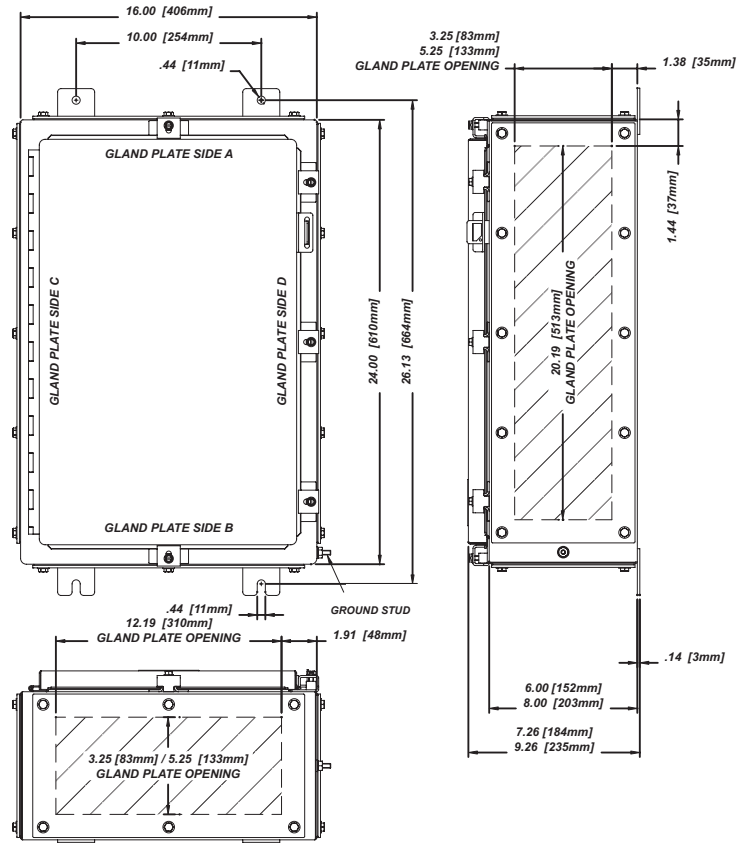
Increased Safety

# TN SERIES

## 24" x 16" Clamped Door

STAINLESS STEEL 316L

ENCLOSURES WITH TERMINALS		
6" [152.4mm] Depth	Catalog Number	Gland Plate
	TN4X6-241606	None
	TN4X6-241606-B	Side B
	TN4X6-241606-AB	Sides A & B
	TN4X6-241606-BCD	Sides B, C & D
8" [203.2mm] Depth	Catalog Number	Gland Plate
	TN4X6-241608	None
	TN4X6-241608-B	Side B
	TN4X6-241608-AB	Sides A & B
	TN4X6-241608-BCD	Sides B, C & D
TN4X6-241608-ABCD	Sides A, B, C & D	



Increased Safety

### MAXIMUM NUMBER OF CABLE/CONDUIT ENTRIES

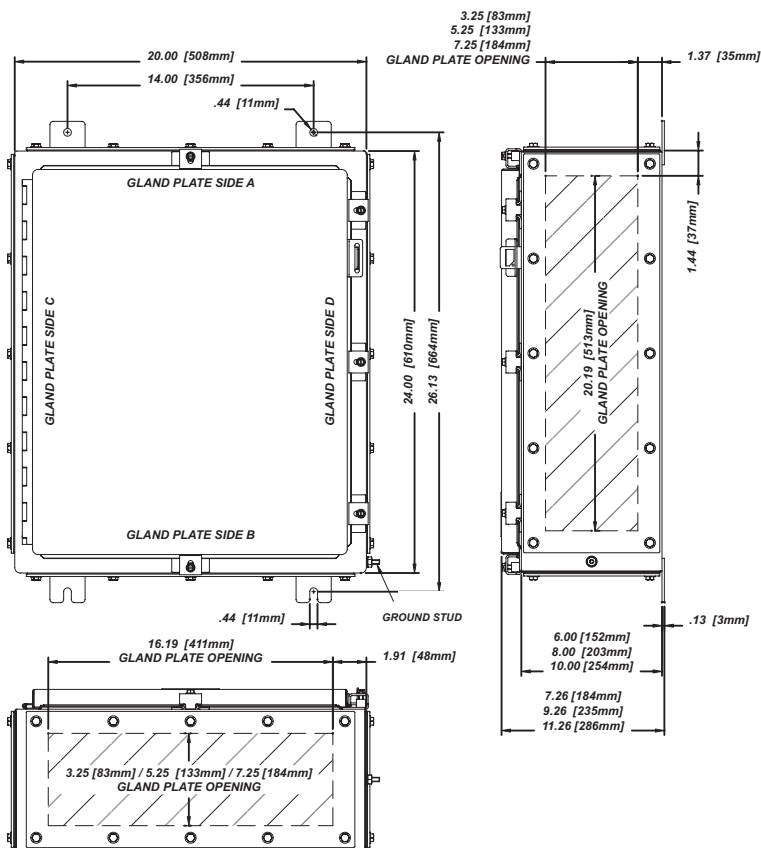
SIZE		WITHOUT GLAND PLATES						WITH GLAND PLATES					
NPT	Metric	Sides A & B			Sides C & D			Sides A & B			Sides C & D		
		06	08	10	06	08	10	06	08	10	06	08	10
1/2	M16	65	78	-	95	114	-	18	36	-	32	64	--
3/4	M20	40	50	-	64	80	-	16	24	-	26	39	-
1	M25	24	32	-	39	52	-	6	18	-	11	33	-
1 1/4	M32	12	18	-	20	30	-	5	10	-	8	16	-
1 1/2	M40	12	18	-	18	27	-	4	8	-	7	14	-
2	M50	10	8	-	14	14	-	3	3	-	6	6	-
2 1/2	M63	4	8	-	6	12	-	3	3	-	5	5	-

### MAXIMUM TERMINAL BLOCK CONTENT

MIN CONDUCTOR SIZE		.5mm <sup>2</sup>	1.5mm <sup>2</sup>	2.5mm <sup>2</sup>	4mm <sup>2</sup>	6mm <sup>2</sup>	10mm <sup>2</sup>	16mm <sup>2</sup>	35mm <sup>2</sup>			
MIN CONDUCTOR SIZE AWG		22	16	14	12	10	8	6	2			
MAXIMUM AMPERAGE		3	8	10	16	20	25	35	50	63	80	100
Terminal Block Size	1.5mm <sup>2</sup>	←114→		55	x	x	x	x	x	x	x	x
	2.5mm <sup>2</sup>	←285→			36	21	x	x	x	x	x	x
	4mm <sup>2</sup>	←285→			142	41	23	x	x	x	x	x
	6mm <sup>2</sup>	←180→				45	17	x	x	x	x	x
	10mm <sup>2</sup>	←144→					44	14	x	x	x	x
	16mm <sup>2</sup>	←78→						36	17	x	x	x
35mm <sup>2</sup>	←29→										17	

- NOTES**
1. For stainless steel 304 construction, substitute TN4X6 prefix with TN4X.
  2. The maximum terminal block content is based on vertical rail installation. For horizontal installations, consult factory.
  3. For applications requiring multiple terminal block configurations and ampacities, consult factory.
  4. For applications requiring larger terminal blocks or custom enclosure sizes, consult factory.
  5. For conduit/cable spacings, wire bending and wire conversion guidelines, refer to the inside back cover of this catalog.

## 24" x 20" Clamped Door



STAINLESS STEEL 316L

ENCLOSURES WITH TERMINALS		
Catalog Number	Gland Plate	
6" [152.4mm] Depth	TN4X6-242006	None
	TN4X6-242006-B	Side B
	TN4X6-242006-AB	Sides A & B
	TN4X6-242006-BCD	Sides B, C & D
	TN4X6-242006-ABCD	Sides A, B, C & D
8" [203.2mm] Depth	TN4X6-242008	None
	TN4X6-242008-B	Side B
	TN4X6-242008-AB	Sides A & B
	TN4X6-242008-BCD	Sides B, C & D
10" [254.0mm] Depth	TN4X6-242010	None
	TN4X6-242010-B	Side B
	TN4X6-242010-AB	Sides A & B
	TN4X6-242010-BCD	Sides B, C & D
	TN4X6-242010-ABCD	Sides A, B, C & D

Increased Safety

### MAXIMUM NUMBER OF CABLE/CONDUIT ENTRIES

SIZE		WITHOUT GLAND PLATES						WITH GLAND PLATES					
		Sides A & B			Sides C & D			Sides A & B			Sides C & D		
NPT	Metric	06	08	10	06	08	10	06	08	10	06	08	10
1/2	M16	80	96	128	90	108	144	26	52	78	32	64	96
3/4	M20	52	65	78	60	75	90	22	33	55	26	39	65
1	M25	30	40	50	36	48	60	8	24	32	11	33	44
1 1/4	M32	16	24	32	18	27	36	7	14	21	8	16	24
1 1/2	M40	14	21	28	16	24	32	6	12	12	7	14	14
2	M50	12	12	18	14	14	21	5	5	10	6	6	12
2 1/2	M63	5	10	10	6	12	12	4	4	8	5	5	10

### MAXIMUM TERMINAL BLOCK CONTENT

MIN CONDUCTOR SIZE	.5mm <sup>2</sup>	1.5mm <sup>2</sup>	2.5mm <sup>2</sup>	4mm <sup>2</sup>	6mm <sup>2</sup>	10mm <sup>2</sup>	16mm <sup>2</sup>	35mm <sup>2</sup>
MIN CONDUCTOR SIZE AWG	22	16	14	12	10	8	6	2
MAXIMUM AMPERAGE	3	8	10	16	20	25	35	50
Terminal Block Size	1.5mm <sup>2</sup>	← 125 →	61	x	x	x	x	x
	2.5mm <sup>2</sup>	← 380 →	40	23	x	x	x	x
	4mm <sup>2</sup>	← 380 →	157	45	25	x	x	x
	6mm <sup>2</sup>	← 240 →			49	19	x	x
	10mm <sup>2</sup>	← 192 →				48	15	x
	16mm <sup>2</sup>	← 117 →					40	18
35mm <sup>2</sup>							← 29 →	19

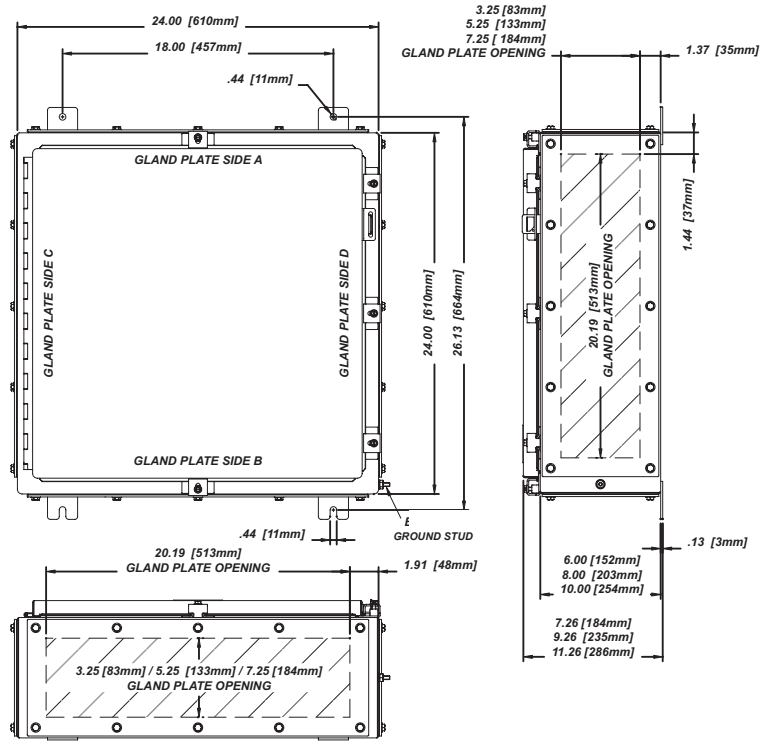
- NOTES**
1. For stainless steel 304 construction, substitute TN4X6 prefix with TN4X.
  2. The maximum terminal block content is based on vertical rail installation. For horizontal installations, consult factory.
  3. For applications requiring multiple terminal block configurations and ampacities, consult factory.
  4. For applications requiring larger terminal blocks or custom enclosure sizes, consult factory.
  5. For conduit/cable spacings, wire bending and wire conversion guidelines, refer to the inside back cover of this catalog.

# TN SERIES

## 24" x 24" Clamped Door

STAINLESS STEEL 316L

ENCLOSURES WITH TERMINALS		
6" [152.4mm] Depth	Catalog Number	Gland Plate
	TN4X6-242406	None
	TN4X6-242406-B	Side B
	TN4X6-242406-AB	Sides A & B
	TN4X6-242406-BCD	Sides B, C & D
8" [203.2mm] Depth	Catalog Number	Gland Plate
	TN4X6-242408	None
	TN4X6-242408-B	Side B
	TN4X6-242408-AB	Sides A & B
	TN4X6-242408-BCD	Sides B, C & D
10" [254.0mm] Depth	Catalog Number	Gland Plate
	TN4X6-242410	None
	TN4X6-242410-B	Side B
	TN4X6-242410-AB	Sides A & B
	TN4X6-242410-BCD	Sides B, C & D



Increased Safety

### MAXIMUM NUMBER OF CABLE/CONDUIT ENTRIES

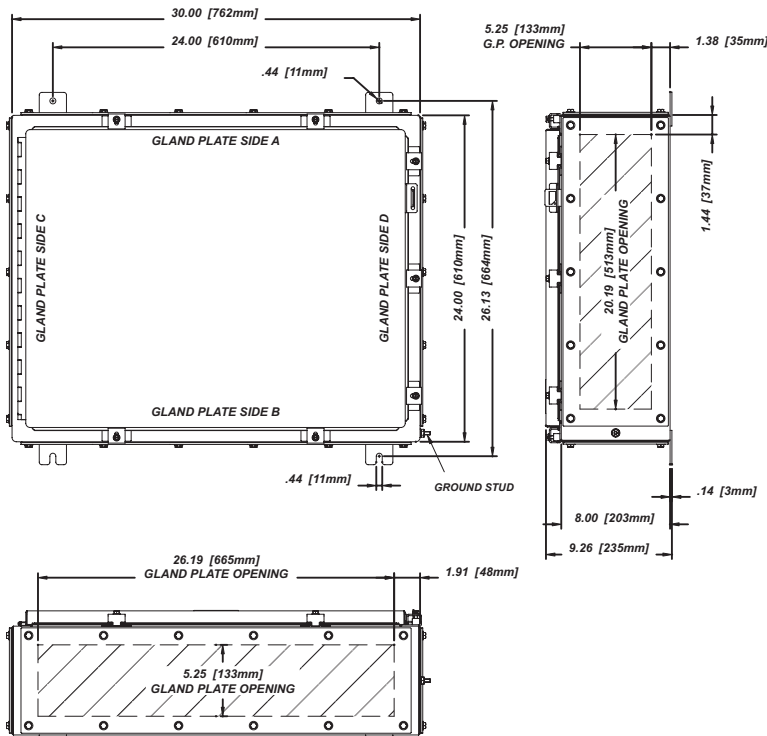
SIZE		WITHOUT GLAND PLATES						WITH GLAND PLATES					
NPT	Metric	Sides A & B			Sides C & D			Sides A & B			Sides C & D		
		06	08	10	06	08	10	06	08	10	06	08	10
1/2	M16	95	114	152	90	108	144	32	64	96	32	64	96
3/4	M20	64	80	96	60	75	90	26	39	65	26	39	65
1	M25	39	52	65	36	48	60	11	33	44	11	33	44
1 1/4	M32	20	30	40	18	27	36	8	16	24	8	16	24
1 1/2	M40	18	27	36	16	24	32	7	14	14	7	14	14
2	M50	14	14	21	14	14	21	6	6	12	6	6	12
2 1/2	M63	6	12	12	6	12	12	5	5	10	5	5	10

### MAXIMUM TERMINAL BLOCK CONTENT

MIN CONDUCTOR SIZE		.5mm <sup>2</sup>	1.5mm <sup>2</sup>	2.5mm <sup>2</sup>	4mm <sup>2</sup>	6mm <sup>2</sup>	10mm <sup>2</sup>	16mm <sup>2</sup>	35mm <sup>2</sup>			
MIN CONDUCTOR SIZE AWG		22	16	14	12	10	8	6	2			
MAXIMUM AMPERAGE		3	8	10	16	20	25	35	50	63	80	100
Terminal Block Size	1.5mm <sup>2</sup>	←134→		65	x	x	x	x	x	x	x	x
	2.5mm <sup>2</sup>	←475→			43	25	x	x	x	x	x	x
	4mm <sup>2</sup>	←475→			168	48	27	x	x	x	x	x
	6mm <sup>2</sup>	←300→				53	20	x	x	x	x	x
	10mm <sup>2</sup>	←240→					51	17	x	x	x	x
	16mm <sup>2</sup>	←117→						42	20	x	x	x
35mm <sup>2</sup>	←58→										20	

- NOTES**
- For stainless steel 304 construction, substitute TN4X6 prefix with TN4X.
  - The maximum terminal block content is based on vertical rail installation. For horizontal installations, consult factory.
  - For applications requiring multiple terminal block configurations and ampacities, consult factory.
  - For applications requiring larger terminal blocks or custom enclosure sizes, consult factory.
  - For conduit/cable spacings, wire bending and wire conversion guidelines, refer to the inside back cover of this catalog.

## 24" x 30" Clamped Door



STAINLESS STEEL 316L

ENCLOSURES WITH TERMINALS	
8" [203.2mm] Depth	Catalog Number   Gland Plate
	TN4X6-243008   None
	TN4X6-243008-B   Side B
	TN4X6-243008-AB   Sides A & B
	TN4X6-243008-BCD   Sides B, C & D
TN4X6-243008-ABCD   Sides A, B, C & D	

### MAXIMUM NUMBER OF CABLE/CONDUIT ENTRIES

SIZE		WITHOUT GLAND PLATES						WITH GLAND PLATES					
NPT	Metric	Sides A & B			Sides C & D			Sides A & B			Sides C & D		
		06	08	10	06	08	10	06	08	10	06	08	10
1/2	M16	-	84	-	-	64	-	-	144	-	-	108	-
3/4	M20	-	51	-	-	39	-	-	100	-	-	75	-
1	M25	-	42	-	-	33	-	-	64	-	-	48	-
1 1/4	M32	-	22	-	-	16	-	-	36	-	-	27	-
1 1/2	M40	-	20	-	-	14	-	-	33	-	-	24	-
2	M50	-	8	-	-	6	-	-	18	-	-	14	-
2 1/2	M63	-	7	-	-	5	-	-	14	-	-	12	-

### MAXIMUM TERMINAL BLOCK CONTENT

MIN CONDUCTOR SIZE	.5mm <sup>2</sup>	1.5mm <sup>2</sup>	2.5mm <sup>2</sup>	4mm <sup>2</sup>	6mm <sup>2</sup>	10mm <sup>2</sup>	16mm <sup>2</sup>	35mm <sup>2</sup>			
MIN CONDUCTOR SIZE AWG	22	16	14	12	10	8	6	2			
MAXIMUM AMPERAGE	3	8	10	16	20	25	35	50	63	80	100
Terminal Block Size	1.5mm <sup>2</sup>	←143→	69	x	x	x	x	x	x	x	x
	2.5mm <sup>2</sup>	←665→	46	27	x	x	x	x	x	x	x
	4mm <sup>2</sup>	←665→	179	52	29	x	x	x	x	x	x
	6mm <sup>2</sup>	←420→	56	22	x	x	x	x	x	x	x
	10mm <sup>2</sup>	←288→	55	18	x	x	x	x	x	x	x
	16mm <sup>2</sup>	←195→	45	21	x	x	x	x	x	x	x
35mm <sup>2</sup>	←87→	84	22								

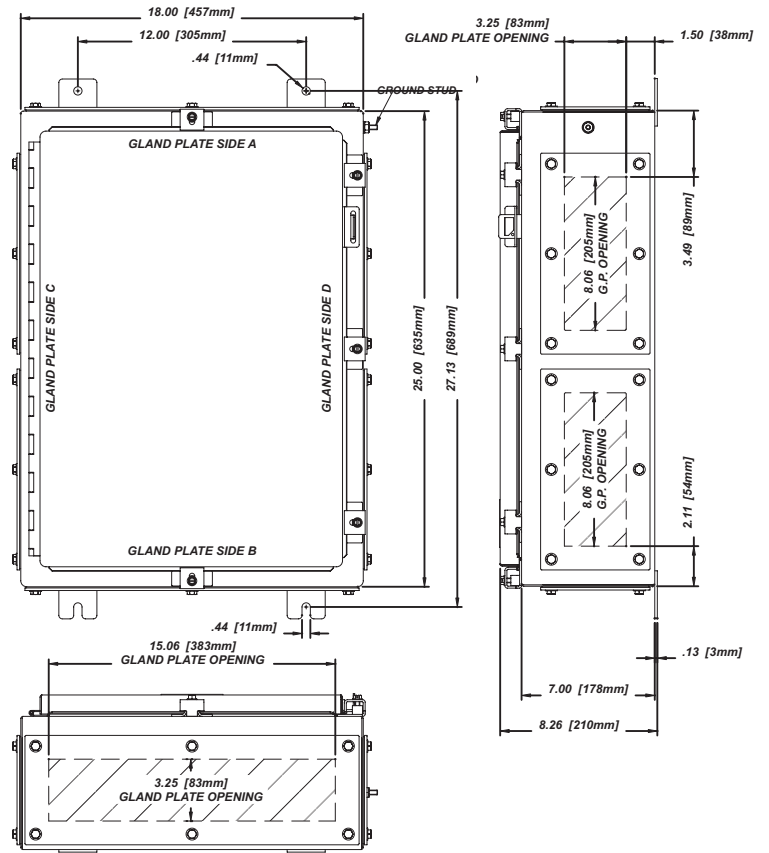
- NOTES**
- For stainless steel 304 construction, substitute TN4X6 prefix with TN4X.
  - The maximum terminal block content is based on vertical rail installation. For horizontal installations, consult factory.
  - For applications requiring multiple terminal block configurations and ampacities, consult factory.
  - For applications requiring larger terminal blocks or custom enclosure sizes, consult factory.
  - For conduit/cable spacings, wire bending and wire conversion guidelines, refer to the inside back cover of this catalog.

# TN SERIES

## 25" x 18" x 7" Clamped Door

STAINLESS STEEL 316L

7" (177.8mm) Depth	ENCLOSURES WITH TERMINALS	
	Catalog Number	Gland Plate
	TN4X6-251807	None
	TN4X6-251807-B	Side B
	TN4X6-251807-AB	Sides A & B
	TN4X6-251807-BCD	Sides B, C & D
TN4X6-251807-ABCD	Sides A, B, C & D	



### MAXIMUM NUMBER OF CABLE/CONDUIT ENTRIES

SIZE		WITHOUT GLAND PLATES		WITH GLAND PLATES <sup>6</sup>	
NPT	Metric	Sides A & B	Sides C & D	Sides A & B	Sides C & D
1/2	M16	70	95	24	12
3/4	M20	48	64	20	10
1	M25	27	36	8	4
1 1/4	M32	14	20	6	3
1 1/2	M40	14	18	5	3
2	M50	10	14	4	2
2 1/2	M63	4	6	4	2

### MAXIMUM TERMINAL BLOCK CONTENT

MIN CONDUCTOR SIZE		.5mm <sup>2</sup>	1.5mm <sup>2</sup>	2.5mm <sup>2</sup>	4mm <sup>2</sup>	6mm <sup>2</sup>	10mm <sup>2</sup>	16mm <sup>2</sup>	35mm <sup>2</sup>			
MIN CONDUCTOR SIZE AWG		22	16	14	12	10	8	6	2			
MAXIMUM AMPERAGE		3	8	10	16	20	25	35	50	63	80	100
Terminal Block Size	1.5mm	←121→		58	x	x	x	x	x	x	x	
	2.5mm <sup>2</sup>	←400→			39	22	x	x	x	x	x	
	4mm <sup>2</sup>	←400→			151	44	25	x	x	x	x	
	6mm <sup>2</sup>	←252→				48	18	x	x	x	x	
	10mm <sup>2</sup>	←150→					46	15	x	x	x	
	16mm <sup>2</sup>	←84→						38	18	x	x	
35mm <sup>2</sup>	←31→									18		

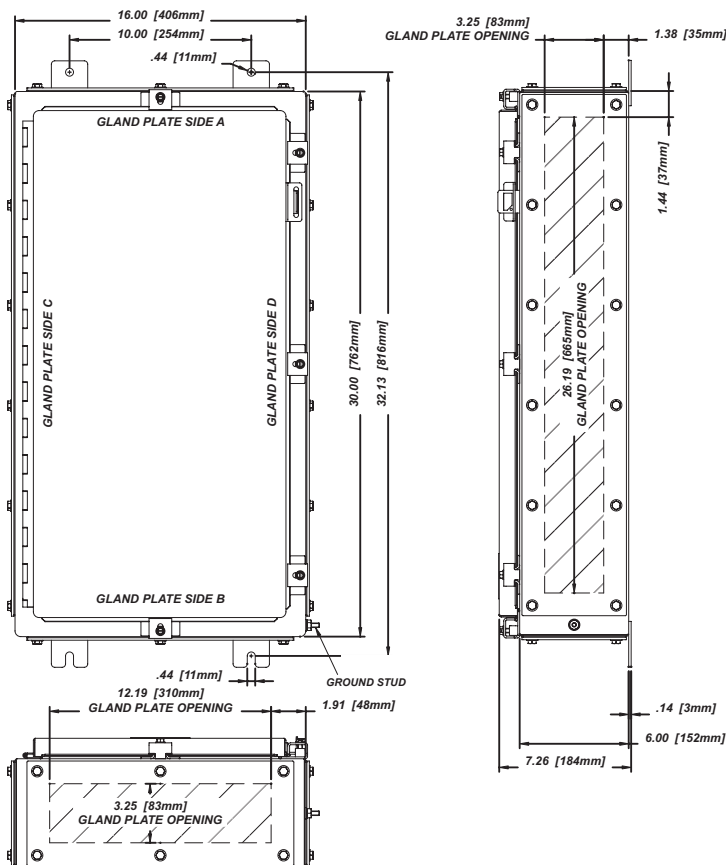
- NOTES**
- For stainless steel 304 construction, substitute TN4X6 prefix with TN4X.
  - The maximum terminal block content is based on vertical rail installation. For horizontal installations, consult factory.
  - For applications requiring multiple terminal block configurations and ampacities, consult factory.
  - For applications requiring larger terminal blocks or custom enclosure sizes, consult factory.
  - For conduit/cable spacings, wire bending and wire conversion guidelines, refer to the inside back cover of this catalog.
  - There are (2) gland plates on each side, quantity shown is for (1) plate.

Increased Safety

## 30" x 16" Clamped Door

STAINLESS STEEL 316L

ENCLOSURES WITH TERMINALS	
Catalog Number	Gland Plate
TN4X6-301606	None
TN4X6-301606-B	Side B
TN4X6-301606-AB	Sides A & B
TN4X6-301606-BCD	Sides B, C & D
TN4X6-301606-ABCD	Sides A, B, C & D



### MAXIMUM NUMBER OF CABLE/CONDUIT ENTRIES

SIZE		WITHOUT GLAND PLATES						WITH GLAND PLATES					
		Sides A & B			Sides C & D			Sides A & B			Sides C & D		
NPT	Metric	06	08	10	06	08	10	06	08	10	06	08	10
1/2	M16	65	-	-	120	-	-	18	-	-	42	-	-
3/4	M20	40	-	-	80	-	-	16	-	-	34	-	-
1	M25	24	-	-	48	-	-	6	-	-	14	-	-
1 1/4	M32	12	-	-	24	-	-	5	-	-	11	-	-
1 1/2	M40	12	-	-	22	-	-	4	-	-	10	-	-
2	M50	10	-	-	18	-	-	3	-	-	8	-	-
2 1/2	M63	4	-	-	7	-	-	3	-	-	7	-	-

### MAXIMUM TERMINAL BLOCK CONTENT

MIN CONDUCTOR SIZE	.5mm <sup>2</sup>	1.5mm <sup>2</sup>	2.5mm <sup>2</sup>	4mm <sup>2</sup>	6mm <sup>2</sup>	10mm <sup>2</sup>	16mm <sup>2</sup>	35mm <sup>2</sup>				
MIN CONDUCTOR SIZE AWG	22	16	14	12	10	8	6	2				
MAXIMUM AMPERAGE	3	8	10	16	20	25	35	50	63	80	100	
Terminal Block Size	1.5mm <sup>2</sup>	←117→	56	x	x	x	x	x	x	x	x	
	2.5mm <sup>2</sup>	←375→		37	22	x	x	x	x	x	x	
	4mm <sup>2</sup>	←375→		146	42	24	x	x	x	x	x	
	6mm <sup>2</sup>		←237→			46	18	x	x	x	x	
	10mm <sup>2</sup>			←189→				45	14	x	x	x
	16mm <sup>2</sup>				←104→					37	17	x
35mm <sup>2</sup>											←39→	18

- NOTES**
1. For stainless steel 304 construction, substitute TN4X6 prefix with TN4X.
  2. The maximum terminal block content is based on vertical rail installation. For horizontal installations, consult factory.
  3. For applications requiring multiple terminal block configurations and ampacities, consult factory.

4. For applications requiring larger terminal blocks or custom enclosure sizes, consult factory.
5. For conduit/cable spacings, wire bending and wire conversion guidelines, refer to the inside back cover of this catalog.

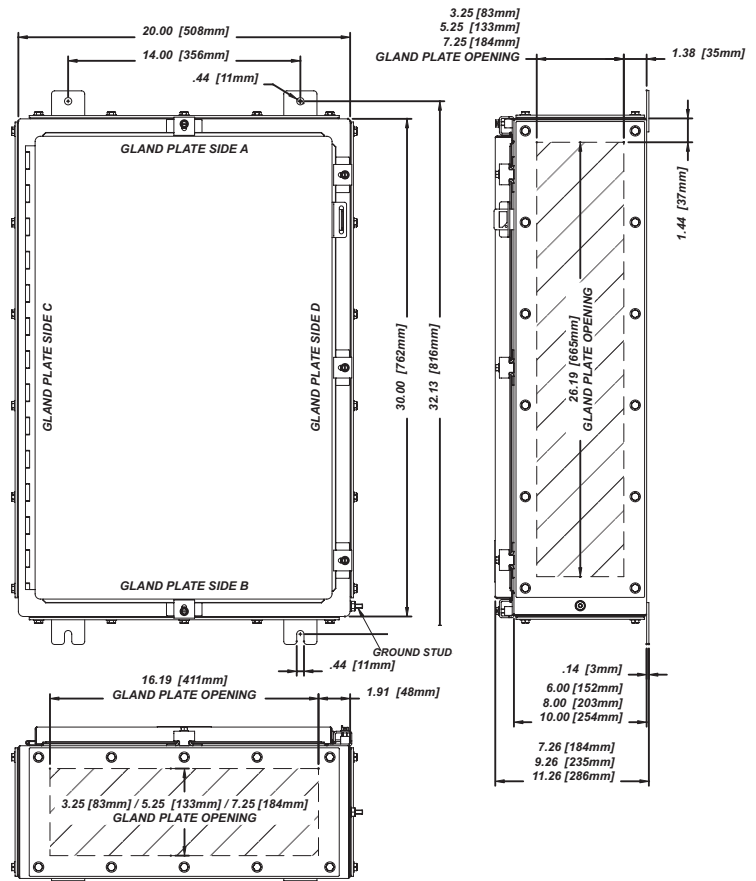
Increased Safety

# TN SERIES

## 30" x 20" Clamped Door

STAINLESS STEEL 316L

ENCLOSURES WITH TERMINALS		
6" [152.4mm] Depth	Catalog Number	Gland Plate
	TN4X6-302006	None
	TN4X6-302006-B	Side B
	TN4X6-302006-AB	Sides A & B
	TN4X6-302006-BCD	Sides B, C & D
8" [203.2mm] Depth	Catalog Number	Gland Plate
	TN4X6-302008	None
	TN4X6-302008-B	Side B
	TN4X6-302008-AB	Sides A & B
	TN4X6-302008-BCD	Sides B, C & D
10" [254.0mm] Depth	Catalog Number	Gland Plate
	TN4X6-302010	None
	TN4X6-302010-B	Side B
	TN4X6-302010-AB	Sides A & B
	TN4X6-302010-BCD	Sides B, C & D
TN4X6-302010-ABCD	Sides A, B, C & D	



### MAXIMUM NUMBER OF CABLE/CONDUIT ENTRIES

SIZE		WITHOUT GLAND PLATES						WITH GLAND PLATES					
NPT	Metric	Sides A & B			Sides C & D			Sides A & B			Sides C & D		
		06	08	10	06	08	10	06	08	10	06	08	10
1/2	M16	80	96	128	120	144	192	26	52	78	42	84	126
3/4	M20	52	65	78	80	100	120	22	33	55	34	51	85
1	M25	30	40	50	48	64	80	8	24	32	14	42	56
1 1/4	M32	16	24	32	24	36	48	7	14	21	14	22	33
1 1/2	M40	14	21	28	22	33	44	6	12	12	10	20	30
2	M50	12	12	18	18	18	27	5	5	10	8	8	16
2 1/2	M63	5	10	10	7	14	14	4	4	8	7	7	14

### MAXIMUM TERMINAL BLOCK CONTENT

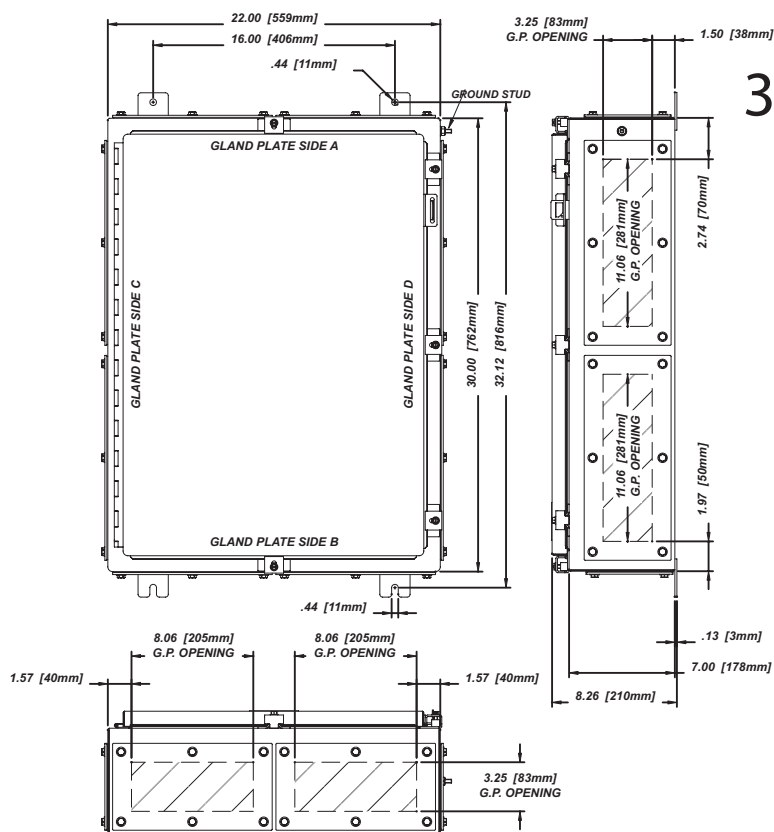
MIN CONDUCTOR SIZE		.5mm <sup>2</sup>	1.5mm <sup>2</sup>	2.5mm <sup>2</sup>	4mm <sup>2</sup>	6mm <sup>2</sup>	10mm <sup>2</sup>	16mm <sup>2</sup>	35mm <sup>2</sup>			
MIN CONDUCTOR SIZE AWG		22	16	14	12	10	8	6	2			
MAXIMUM AMPERAGE		3	8	10	16	20	25	35	50	63	80	100
Terminal Block Size	1.5mm	←131→		64	x	x	x	x	x	x	x	x
	2.5mm <sup>2</sup>	←500→			42	24	x	x	x	x	x	x
	4mm <sup>2</sup>	←500→			165	47	27	x	x	x	x	x
	6mm <sup>2</sup>	←316→				52	20	x	x	x	x	x
	10mm <sup>2</sup>	←252→					50	16	x	x	x	x
	16mm <sup>2</sup>	←156→						42	19	x	x	x
35mm <sup>2</sup>	←39→										20	

- NOTES**
1. For stainless steel 304 construction, substitute TN4X6 prefix with TN4X.
  2. The maximum terminal block content is based on vertical rail installation. For horizontal installations, consult factory.
  3. For applications requiring multiple terminal block configurations and ampacities, consult factory.
  4. For applications requiring larger terminal blocks or custom enclosure sizes, consult factory.
  5. For conduit/cable spacings, wire bending and wire conversion guidelines, refer to the inside back cover of this catalog.

Increased Safety



## 30" x 22" x 7" Clamped Door



STAINLESS STEEL 316L

7" [177.8mm] Depth	ENCLOSURES WITH TERMINALS	
	Catalog Number	Gland Plate
	TN4X6-302207	None
	TN4X6-302207-B	Side B
	TN4X6-302207-AB	Sides A & B
	TN4X6-302207-BCD	Sides B, C & D
TN4X6-302207-ABCD	Sides A, B, C & D	

### MAXIMUM NUMBER OF CABLE/CONDUIT ENTRIES

SIZE		WITHOUT GLAND PLATES		WITH GLAND PLATES <sup>6</sup>	
NPT	Metric	Sides A & B	Sides C & D	Sides A & B	Sides C & D
1/2	M16	85	115	12	18
3/4	M20	56	76	10	14
1	M25	48	60	4	6
1 1/4	M32	33	45	3	4
1 1/2	M40	18	24	3	4
2	M50	12	16	2	3
2 1/2	M63	5	7	2	3

### MAXIMUM TERMINAL BLOCK CONTENT

MIN CONDUCTOR SIZE		.5mm <sup>2</sup>	1.5mm <sup>2</sup>	2.5mm <sup>2</sup>	4mm <sup>2</sup>	6mm <sup>2</sup>	10mm <sup>2</sup>	16mm <sup>2</sup>	35mm <sup>2</sup>			
MIN CONDUCTOR SIZE AWG		22	16	14	12	10	8	6	2			
MAXIMUM AMPERAGE		3	8	10	16	20	25	35	50	63	80	100
Terminal Block Size	1.5mm <sup>2</sup>	← 137 →		67	x	x	x	x	x	x	x	
	2.5mm <sup>2</sup>	← 625 →			44	26	x	x	x	x	x	
	4mm <sup>2</sup>	← 625 →			172	50	28	x	x	x	x	
	6mm <sup>2</sup>	← 395 →				54	21	x	x	x	x	
	10mm <sup>2</sup>	← 252 →					53	17	x	x	x	
	16mm <sup>2</sup>	← 156 →						44	20	x	x	
35mm <sup>2</sup>	← 78 →									21		

- NOTES**
- For stainless steel 304 construction, substitute TN4X6 prefix with TN4X.
  - The maximum terminal block content is based on vertical rail installation. For horizontal installations, consult factory.
  - For applications requiring multiple terminal block configurations and ampacities, consult factory.
  - For applications requiring larger terminal blocks or custom enclosure sizes, consult factory.
  - For conduit/cable spacings, wire bending and wire conversion guidelines, refer to the inside back cover of this catalog.
  - There are (2) gland plates on each side, quantity shown is for (1) plate.

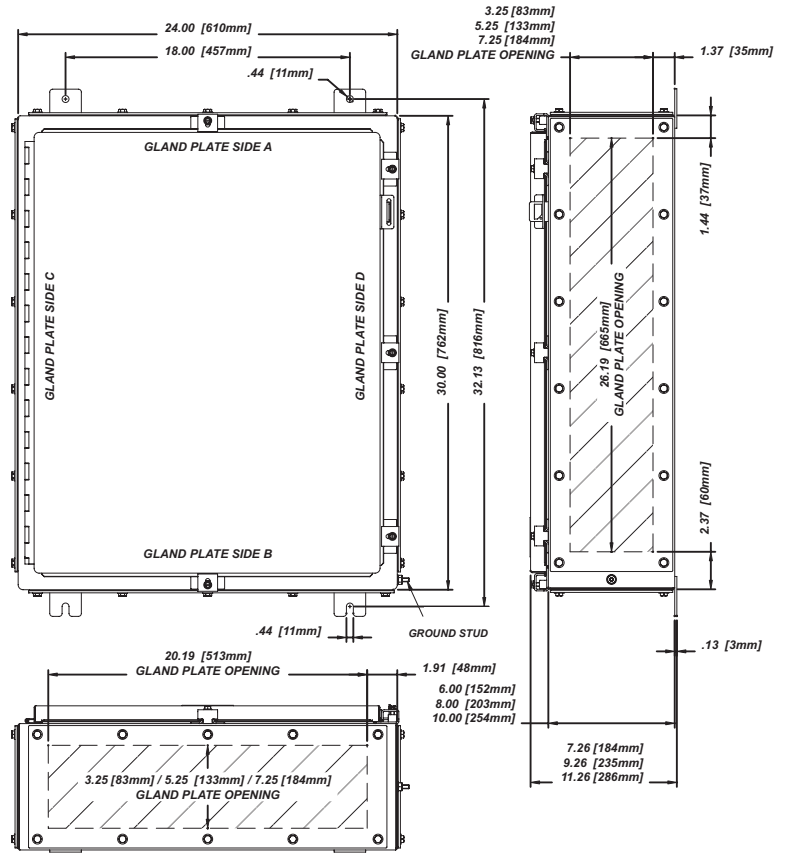
Increased Safety

# TN SERIES

## 30" x 24" Clamped Door

STAINLESS STEEL 316L

ENCLOSURES WITH TERMINALS		
6" [152.4mm] Depth	Catalog Number	Gland Plate
	TN4X6-302406	None
	TN4X6-302406-B	Side B
	TN4X6-302406-AB	Sides A & B
	TN4X6-302406-BCD	Sides B, C & D
8" [203.2mm] Depth	Catalog Number	Gland Plate
	TN4X6-302408	None
	TN4X6-302408-B	Side B
	TN4X6-302408-AB	Sides A & B
	TN4X6-302408-BCD	Sides B, C & D
10" [254.0mm] Depth	Catalog Number	Gland Plate
	TN4X6-302410	None
	TN4X6-302410-B	Side B
	TN4X6-302410-AB	Sides A & B
	TN4X6-302410-BCD	Sides B, C & D



### MAXIMUM NUMBER OF CABLE/CONDUIT ENTRIES

SIZE		WITHOUT GLAND PLATES						WITH GLAND PLATES					
NPT	Metric	Sides A & B			Sides C & D			Sides A & B			Sides C & D		
		06	08	10	06	08	10	06	08	10	06	08	10
1/2	M16	95	114	152	115	138	184	32	64	96	42	84	126
3/4	M20	64	80	96	76	95	114	26	39	65	34	51	85
1	M25	39	52	65	45	60	75	11	33	44	14	42	56
1 1/4	M32	20	30	40	24	36	48	8	16	24	11	22	33
1 1/2	M40	18	27	36	22	33	44	7	14	21	10	20	20
2	M50	14	14	21	16	16	24	6	6	12	8	8	16
2 1/2	M63	6	12	12	7	14	14	5	5	10	7	7	14

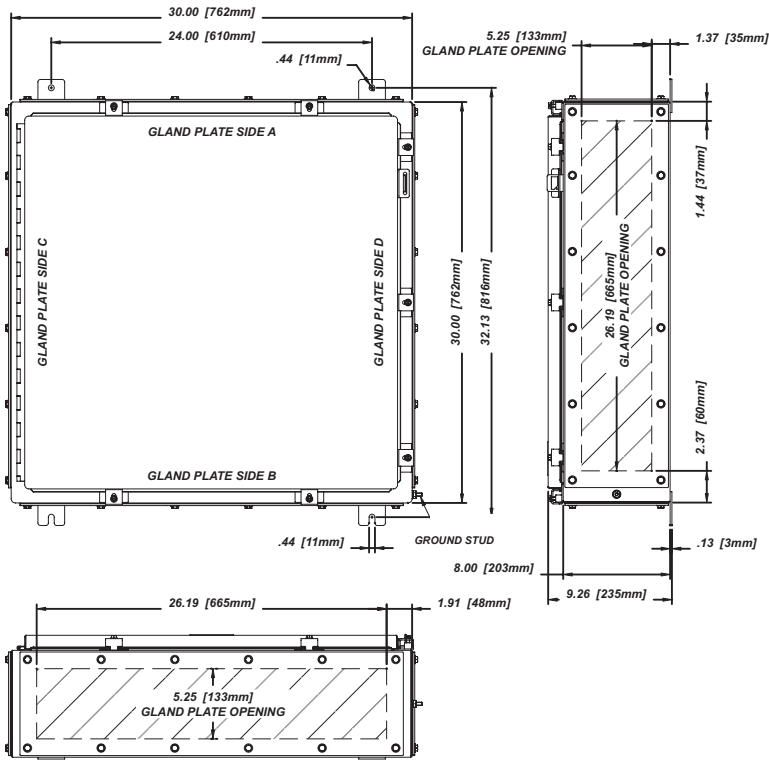
### MAXIMUM TERMINAL BLOCK CONTENT

MIN CONDUCTOR SIZE		.5mm <sup>2</sup>	1.5mm <sup>2</sup>	2.5mm <sup>2</sup>	4mm <sup>2</sup>	6mm <sup>2</sup>	10mm <sup>2</sup>	16mm <sup>2</sup>	35mm <sup>2</sup>			
MIN CONDUCTOR SIZE AWG		22	16	14	12	10	8	6	2			
MAXIMUM AMPERAGE		3	8	10	16	20	25	35	50	63	80	100
Terminal Block Size	1.5mm	←143→		69	x	x	x	x	x	x	x	x
	2.5mm <sup>2</sup>	←625→			46	27	x	x	x	x	x	x
	4mm <sup>2</sup>	←625→			179	52	29	x	x	x	x	x
	6mm <sup>2</sup>	←395→				56	22	x	x	x	x	x
	10mm <sup>2</sup>	←315→					55	18	x	x	x	x
	16mm <sup>2</sup>	←156→						45	21	x	x	x
35mm <sup>2</sup>	←78→										22	

- NOTES**
- For stainless steel 304 construction, substitute TN4X6 prefix with TN4X.
  - The maximum terminal block content is based on vertical rail installation. For horizontal installations, consult factory.
  - For applications requiring multiple terminal block configurations and ampacities, consult factory.
  - For applications requiring larger terminal blocks or custom enclosure sizes, consult factory.
  - For conduit/cable spacings, wire bending and wire conversion guidelines, refer to the inside back cover of this catalog.

Increased Safety

## 30" x 30" Clamped Door



STAINLESS STEEL 316L

ENCLOSURES WITH TERMINALS	
Catalog Number	Gland Plate
TN4X6-303008	None
TN4X6-303008-B	Side B
TN4X6-303008-AB	Sides A & B
TN4X6-303008-BCD	Sides B, C & D
TN4X6-303008-ABCD	Sides A, B, C & D

8" [203.2mm] Depth

### MAXIMUM NUMBER OF CABLE/CONDUIT ENTRIES

SIZE		WITHOUT GLAND PLATES						WITH GLAND PLATES					
		Sides A & B			Sides C & D			Sides A & B			Sides C & D		
NPT	Metric	06	08	10	06	08	10	06	08	10	06	08	10
1/2	M16	-	144	-	-	138	-	-	84	-	-	84	-
3/4	M20	-	100	-	-	95	-	-	51	-	-	51	-
1	M25	-	64	-	-	60	-	-	42	-	-	42	-
1 1/4	M32	-	36	-	-	36	-	-	22	-	-	22	-
1 1/2	M40	-	33	-	-	33	-	-	20	-	-	20	-
2	M50	-	18	-	-	16	-	-	8	-	-	8	-
2 1/2	M63	-	14	-	-	14	-	-	7	-	-	7	-

### MAXIMUM TERMINAL BLOCK CONTENT

MIN CONDUCTOR SIZE	.5mm <sup>2</sup>	1.5mm <sup>2</sup>	2.5mm <sup>2</sup>	4mm <sup>2</sup>	6mm <sup>2</sup>	10mm <sup>2</sup>	16mm <sup>2</sup>	35mm <sup>2</sup>				
MIN CONDUCTOR SIZE AWG	22	16	14	12	10	8	6	2				
MAXIMUM AMPERAGE	3	8	10	16	20	25	35	50	63	80	100	
Terminal Block Size	1.5mm <sup>2</sup>	←156→	76	x	x	x	x	x	x	x	x	
	2.5mm <sup>2</sup>	←875→		50	29	x	x	x	x	x	x	
	4mm <sup>2</sup>	←875→		196	57	32	x	x	x	x	x	
	6mm <sup>2</sup>		←553→			62	24	x	x	x	x	
	10mm <sup>2</sup>			←378→				60	19	x	x	x
	16mm <sup>2</sup>				←260→					50	23	x
35mm <sup>2</sup>											92	24

- NOTES**
1. For stainless steel 304 construction, substitute TN4X6 prefix with TN4X.
  2. The maximum terminal block content is based on vertical rail installation. For horizontal installations, consult factory.
  3. For applications requiring multiple terminal block configurations and ampacities, consult factory.

4. For applications requiring larger terminal blocks or custom enclosure sizes, consult factory.
5. For conduit/cable spacings, wire bending and wire conversion guidelines, refer to the inside back cover of this catalog.

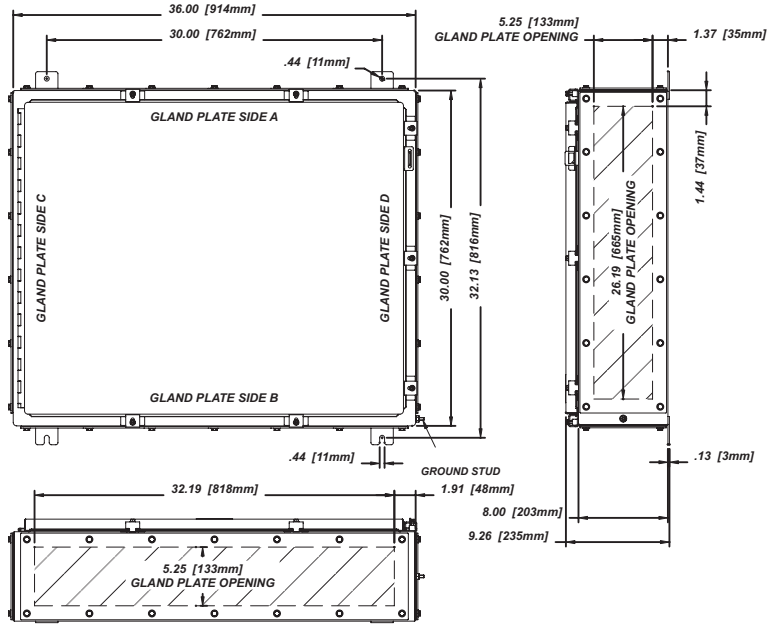
Increased Safety

# TN SERIES

## 30" x 36" Clamped Door

STAINLESS STEEL 316L

8" [203.2mm] Depth	ENCLOSURES WITH TERMINALS	
	Catalog Number	Gland Plate
	TN4X6-303608	None
	TN4X6-303608-B	Side B
	TN4X6-303608-AB	Sides A & B
	TN4X6-303608-BCD	Sides B, C & D
TN4X6-303608-ABCD	Sides A, B, C & D	



Increased Safety

### MAXIMUM NUMBER OF CABLE/CONDUIT ENTRIES

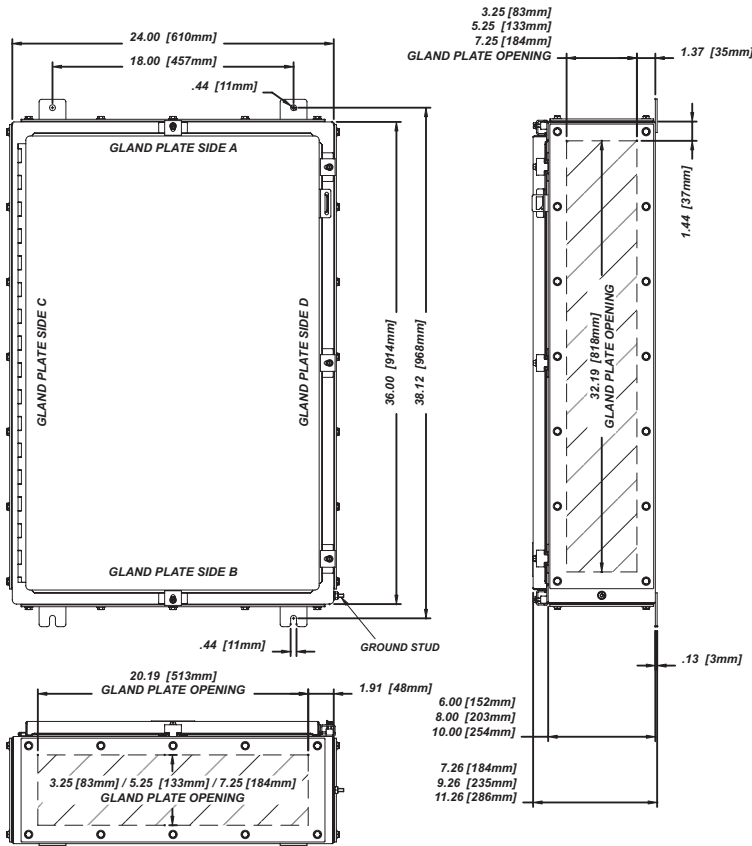
SIZE		WITHOUT GLAND PLATES						WITH GLAND PLATES					
NPT	Metric	Sides A & B			Sides C & D			Sides A & B			Sides C & D		
		06	08	10	06	08	10	06	08	10	06	08	10
1/2	M16	-	174	-	-	168	-	-	100	-	-	84	-
3/4	M20	-	120	-	-	115	-	-	63	-	-	51	-
1	M25	-	76	-	-	72	-	-	51	-	-	42	-
1 1/4	M32	-	45	-	-	42	-	-	26	-	-	22	-
1 1/2	M40	-	39	-	-	39	-	-	24	-	-	20	-
2	M50	-	20	-	-	20	-	-	9	-	-	8	-
2 1/2	M63	-	18	-	-	18	-	-	8	-	-	7	-

### MAXIMUM TERMINAL BLOCK CONTENT

MIN CONDUCTOR SIZE		.5mm <sup>2</sup>	1.5mm <sup>2</sup>	2.5mm <sup>2</sup>	4mm <sup>2</sup>	6mm <sup>2</sup>	10mm <sup>2</sup>	16mm <sup>2</sup>	35mm <sup>2</sup>			
MIN CONDUCTOR SIZE AWG		22	16	14	12	10	8	6	2			
MAXIMUM AMPERAGE		3	8	10	16	20	25	35	50	63	80	100
Terminal Block Size	1.5mm <sup>2</sup>	←161→		80	x	x	x	x	x	x	x	x
	2.5mm <sup>2</sup>	←1000→			53	31	x	x	x	x	x	x
	4mm <sup>2</sup>	←1000→			208	60	34	x	x	x	x	x
	6mm <sup>2</sup>	←632→				66	25	x	x	x	x	x
	10mm <sup>2</sup>	←441→					64	21	x	x	x	x
	16mm <sup>2</sup>	←312→						53	24	x	x	x
35mm <sup>2</sup>	←117→									97	25	

- NOTES**
1. For stainless steel 304 construction, substitute TN4X6 prefix with TN4X.
  2. The maximum terminal block content is based on vertical rail installation. For horizontal installations, consult factory.
  3. For applications requiring multiple terminal block configurations and ampacities, consult factory.
  4. For applications requiring larger terminal blocks or custom enclosure sizes, consult factory.
  5. For conduit/cable spacings, wire bending and wire conversion guidelines, refer to the inside back cover of this catalog.

# 36" x 24" Clamped Door



STAINLESS STEEL 316L

ENCLOSURES WITH TERMINALS		
Depth	Gland Plate	
6" [152.4mm]	Catalog Number	
	TN4X6-362406	None
	TN4X6-362406-B	Side B
	TN4X6-362406-AB	Sides A & B
	TN4X6-362406-BCD	Sides B, C & D
8" [203.2mm]	TN4X6-362406-ABCD	Sides A, B, C & D
	TN4X6-362408	None
	TN4X6-362408-B	Side B
	TN4X6-362408-AB	Sides A & B
	TN4X6-362408-BCD	Sides B, C & D
10" [254.0mm]	TN4X6-362408-ABCD	Sides A, B, C & D
	TN4X6-362410	None
	TN4X6-362410-B	Side B
	TN4X6-362410-AB	Sides A & B
	TN4X6-362410-BCD	Sides B, C & D
TN4X6-362410-ABCD	Sides A, B, C & D	

### MAXIMUM NUMBER OF CABLE/CONDUIT ENTRIES

SIZE		WITHOUT GLAND PLATES						WITH GLAND PLATES					
NPT	Metric	Sides A & B			Sides C & D			Sides A & B			Sides C & D		
		06	08	10	06	08	10	06	08	10	06	08	10
1/2	M16	95	114	152	140	168	204	32	64	96	50	100	150
3/4	M20	64	80	96	92	115	138	26	39	65	42	63	105
1	M25	35	52	65	54	72	90	11	33	44	17	51	68
1 1/4	M32	20	30	40	28	42	56	8	16	24	13	26	39
1 1/2	M40	18	27	36	26	39	52	7	14	14	12	24	24
2	M50	14	14	21	20	20	30	6	6	12	9	9	18
2 1/2	M63	6	12	12	9	18	18	5	5	10	8	8	16

### MAXIMUM TERMINAL BLOCK CONTENT

MIN CONDUCTOR SIZE	.5mm <sup>2</sup>	1.5mm <sup>2</sup>	2.5mm <sup>2</sup>	4mm <sup>2</sup>	6mm <sup>2</sup>	10mm <sup>2</sup>	16mm <sup>2</sup>	35mm <sup>2</sup>				
MIN CONDUCTOR SIZE AWG	22	16	14	12	10	8	6	2				
MAXIMUM AMPERAGE	3	8	10	16	20	25	35	50	63	80	100	
Terminal Block Size	1.5mm <sup>2</sup>	←149→	72	x	x	x	x	x	x	x	x	
	2.5mm <sup>2</sup>	←780→		48	28	x	x	x	x	x	x	
	4mm <sup>2</sup>	←780→		187	54	30	x	x	x	x	x	
	6mm <sup>2</sup>		←495→			59	23	x	x	x	x	
	10mm <sup>2</sup>			←300→				57	18	x	x	x
	16mm <sup>2</sup>				←195→				47	22	x	x
35mm <sup>2</sup>										88	23	

- NOTES**
1. For stainless steel 304 construction, substitute TN4X6 prefix with TN4X.
  2. The maximum terminal block content is based on vertical rail installation. For horizontal installations, consult factory.
  3. For applications requiring multiple terminal block configurations and ampacities, consult factory.

4. For applications requiring larger terminal blocks or custom enclosure sizes, consult factory.
5. For conduit/cable spacings, wire bending and wire conversion guidelines, refer to the inside back cover of this catalog.

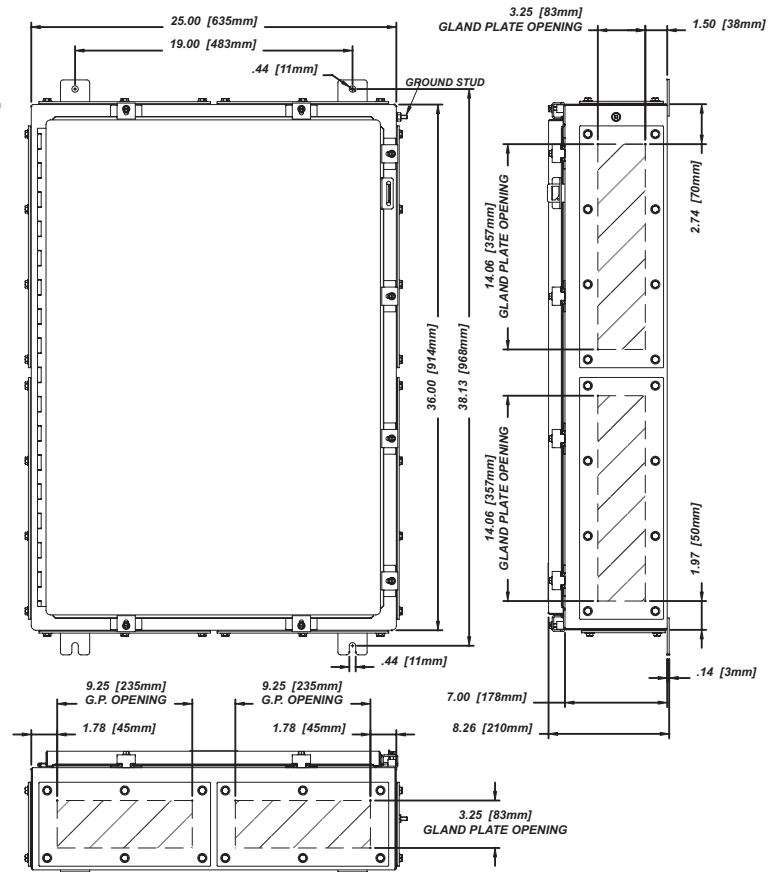
Increased Safety

# TN SERIES

## 36" x 25" x 7" Clamped Door

STAINLESS STEEL 316L

7" (177.8mm) Depth	ENCLOSURES WITH TERMINALS	
	Catalog Number	Gland Plate
	TN4X6-362507	None
	TN4X6-362507-B	Side B
	TN4X6-362507-AB	Sides A & B
	TN4X6-362507-BCD	Sides B, C & D
TN4X6-362507-ABCD	Sides A, B, C & D	



### MAXIMUM NUMBER OF CABLE/CONDUIT ENTRIES

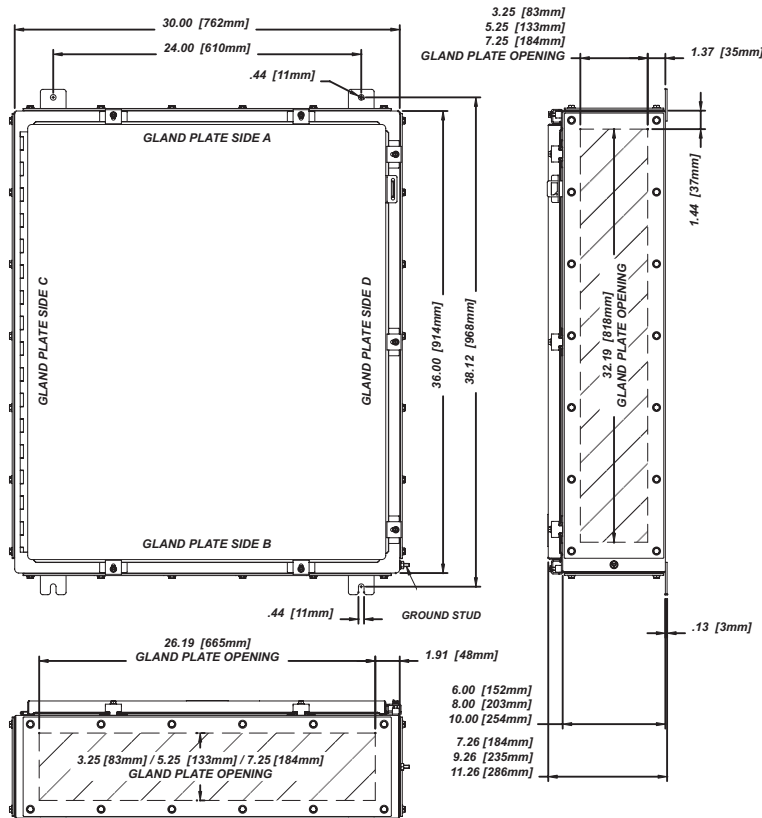
SIZE		WITHOUT GLAND PLATES		WITH GLAND PLATES <sup>6</sup>	
NPT	Metric	Sides A & B	Sides C & D	Sides A & B	Sides C & D
1/2	M16	100	140	14	22
3/4	M20	64	92	12	18
1	M25	39	54	5	7
1 1/4	M32	20	28	4	6
1 1/2	M40	18	26	3	5
2	M50	14	20	3	4
2 1/2	M63	6	9	2	3

### MAXIMUM TERMINAL BLOCK CONTENT

MIN CONDUCTOR SIZE		.5mm <sup>2</sup>	1.5mm <sup>2</sup>	2.5mm <sup>2</sup>	4mm <sup>2</sup>	6mm <sup>2</sup>	10mm <sup>2</sup>	16mm <sup>2</sup>	35mm <sup>2</sup>			
MIN CONDUCTOR SIZE AWG		22	16	14	12	10	8	6	2			
MAXIMUM AMPERAGE		3	8	10	16	20	25	35	50	63	80	100
Terminal Block Size	1.5mm <sup>2</sup>	←152→		74	x	x	x	x	x	x	x	
	2.5mm <sup>2</sup>	←936→			49	28	x	x	x	x	x	
	4mm <sup>2</sup>	←936→			190	55	31	x	x	x	x	
	6mm <sup>2</sup>	←594→				60	28	x	x	x	x	
	10mm <sup>2</sup>	←390→					58	19	x	x	x	
	16mm <sup>2</sup>	←260→						48	27	x	x	
35mm <sup>2</sup>	←96→									89	23	

- NOTES**
- For stainless steel 304 construction, substitute TN4X6 prefix with TN4X.
  - The maximum terminal block content is based on vertical rail installation. For horizontal installations, consult factory.
  - For applications requiring multiple terminal block configurations and ampacities, consult factory.
  - For applications requiring larger terminal blocks or custom enclosure sizes, consult factory.
  - For conduit/cable spacings, wire bending and wire conversion guidelines, refer to the inside back cover of this catalog.
  - There are (2) gland plates on each side, quantity shown is for (1) plate.

## 36" x 30" Clamped Door



STAINLESS STEEL 316L

ENCLOSURES WITH TERMINALS		
Catalog Number	Gland Plate	
<b>6" [152.4mm] Depth</b>	TN4X6-363006	None
	TN4X6-363006-B	Side B
	TN4X6-363006-AB	Sides A & B
	TN4X6-363006-BCD	Sides B, C & D
	TN4X6-363006-ABCD	Sides A, B, C & D
<b>8" [203.2mm] Depth</b>	TN4X6-363008	None
	TN4X6-363008-B	Side B
	TN4X6-363008-AB	Sides A & B
	TN4X6-363008-BCD	Sides B, C & D
<b>10" [254.0mm] Depth</b>	TN4X6-363010	None
	TN4X6-363010-B	Side B
	TN4X6-363010-AB	Sides A & B
	TN4X6-363010-BCD	Sides B, C & D
	TN4X6-363010-ABCD	Sides A, B, C & D

### MAXIMUM NUMBER OF CABLE/CONDUIT ENTRIES

SIZE		WITHOUT GLAND PLATES						WITH GLAND PLATES					
NPT	Metric	Sides A & B			Sides C & D			Sides A & B			Sides C & D		
		06	08	10	06	08	10	06	08	10	06	08	10
1/2	M16	120	144	192	140	168	224	42	84	126	50	100	150
3/4	M20	80	100	120	92	115	138	34	51	85	42	63	105
1	M25	48	64	80	54	72	90	14	42	56	17	51	68
1 1/4	M32	24	36	48	28	42	56	11	22	33	13	26	39
1 1/2	M40	22	33	44	26	39	52	10	20	20	12	24	24
2	M50	18	18	27	20	20	30	8	8	16	9	9	18
2 1/2	M63	7	14	14	9	18	18	7	7	14	8	8	16

### MAXIMUM TERMINAL BLOCK CONTENT

MIN CONDUCTOR SIZE	.5mm <sup>2</sup>	1.5mm <sup>2</sup>	2.5mm <sup>2</sup>	4mm <sup>2</sup>	6mm <sup>2</sup>	10mm <sup>2</sup>	16mm <sup>2</sup>	35mm <sup>2</sup>			
MIN CONDUCTOR SIZE AWG	22	16	14	12	10	8	6	2			
MAXIMUM AMPERAGE	3	8	10	16	20	25	35	50	63	80	100
Terminal Block Size	1.5mm <sup>2</sup>	←161→	80	x	x	x	x	x	x	x	x
	2.5mm <sup>2</sup>	←1092→	53	31	x	x	x	x	x	x	x
	4mm <sup>2</sup>	←1092→	208	60	34	x	x	x	x	x	x
	6mm <sup>2</sup>	←693→			66	25	x	x	x	x	x
	10mm <sup>2</sup>	←468→				64	21	x	x	x	x
	16mm <sup>2</sup>	←325→					53	24	x	x	x
35mm <sup>2</sup>				←144→						97	25

- NOTES**
1. For stainless steel 304 construction, substitute TN4X6 prefix with TN4X.
  2. The maximum terminal block content is based on vertical rail installation. For horizontal installations, consult factory.
  3. For applications requiring multiple terminal block configurations and ampacities, consult factory.

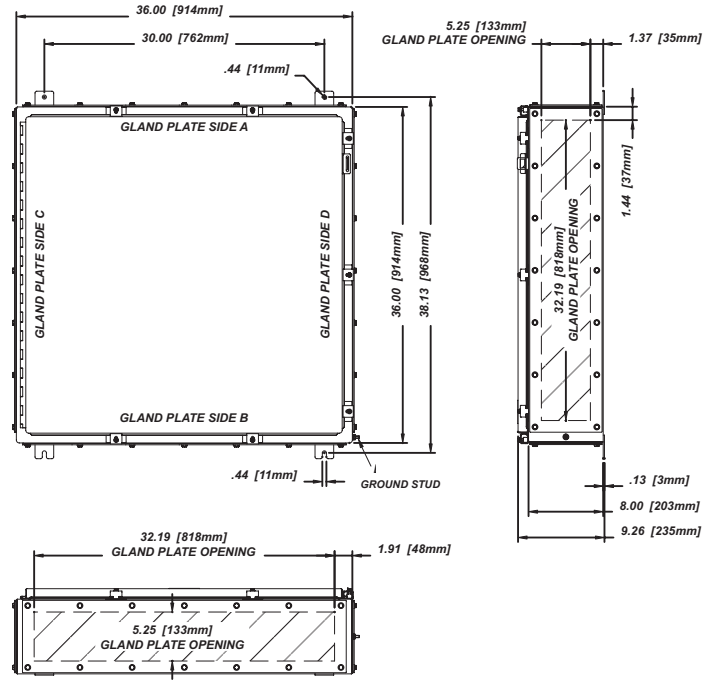
4. For applications requiring larger terminal blocks or custom enclosure sizes, consult factory.
5. For conduit/cable spacings, wire bending and wire conversion guidelines, refer to the inside back cover of this catalog.

# TN SERIES

## 36" x 36" Clamped Door

STAINLESS STEEL 316L

8" [203.2mm] Depth	ENCLOSURES WITH TERMINALS	
	Catalog Number	Gland Plate
	TN4X6-363608	None
	TN4X6-363608-B	Side B
	TN4X6-363608-AB	Sides A & B
	TN4X6-363608-BCD	Sides B, C & D
TN4X6-363608-ABCD	Sides A, B, C & D	



Increased Safety

### MAXIMUM NUMBER OF CABLE/CONDUIT ENTRIES

SIZE		WITHOUT GLAND PLATES						WITH GLAND PLATES					
NPT	Metric	Sides A & B			Sides C & D			Sides A & B			Sides C & D		
		06	08	10	06	08	10	06	08	10	06	08	10
1/2	M16	-	174	-	-	168	-	-	100	-	-	100	-
3/4	M20	-	120	-	-	115	-	-	63	-	-	63	-
1	M25	-	76	-	-	72	-	-	51	-	-	51	-
1 1/4	M32	-	45	-	-	42	-	-	26	-	-	26	-
1 1/2	M40	-	39	-	-	39	-	-	24	-	-	24	-
2	M50	-	20	-	-	20	-	-	9	-	-	9	-
2 1/2	M63	-	18	-	-	18	-	-	8	-	-	8	-

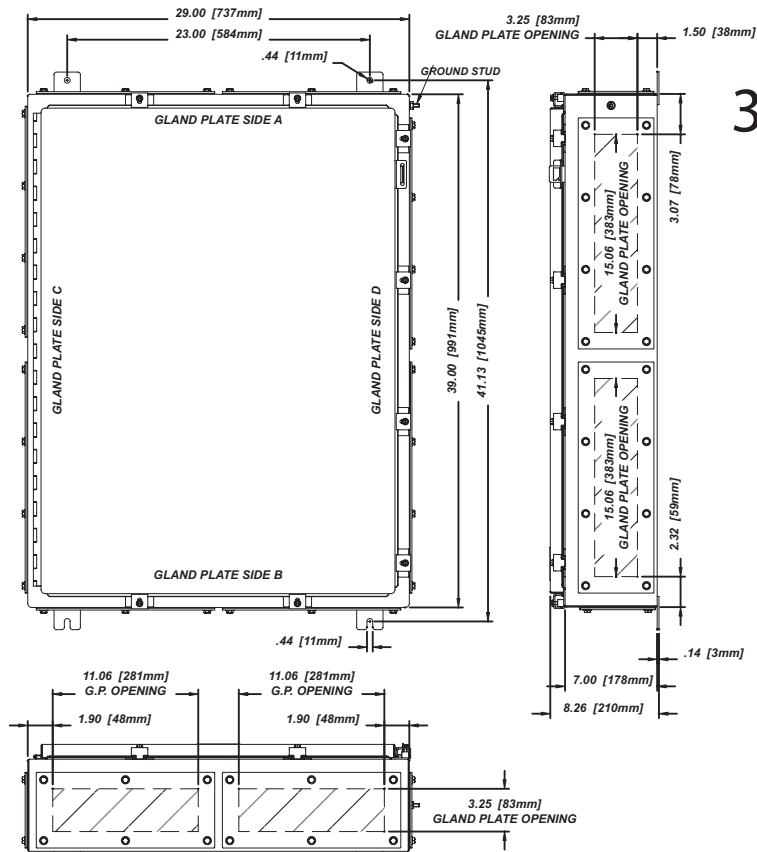
### MAXIMUM TERMINAL BLOCK CONTENT

MIN CONDUCTOR SIZE		.5mm <sup>2</sup>	1.5mm <sup>2</sup>	2.5mm <sup>2</sup>	4mm <sup>2</sup>	6mm <sup>2</sup>	10mm <sup>2</sup>	16mm <sup>2</sup>	35mm <sup>2</sup>	
MIN CONDUCTOR SIZE AWG		22	16	14	12	10	8	6	2	
MAXIMUM AMPERAGE		3	8 10	16 20	25	35	50	63	80 100	
Terminal Block Size	1.5mm <sup>2</sup>	←179→		87	x	x	x	x	x	x
	2.5mm <sup>2</sup>	←1248→		57	33	x	x	x	x	x
	4mm <sup>2</sup>	←1248→		224	65	37	x	x	x	x
	6mm <sup>2</sup>	←792→			71	27	x	x	x	x
	10mm <sup>2</sup>	←546→				69	22	x	x	x
	16mm <sup>2</sup>	←390→					57	26	x	x
35mm <sup>2</sup>			←144→					105	27	

- NOTES**
- For stainless steel 304 construction, substitute TN4X6 prefix with TN4X.
  - The maximum terminal block content is based on vertical rail installation. For horizontal installations, consult factory.
  - For applications requiring multiple terminal block configurations and ampacities, consult factory.
  - For applications requiring larger terminal blocks or custom enclosure sizes, consult factory.
  - For conduit/cable spacings, wire bending and wire conversion guidelines, refer to the inside back cover of this catalog.



## 39" x 29" x 7" Clamped Door



STAINLESS STEEL 316L

7" [178mm] Depth	ENCLOSURES WITH TERMINALS	
	Catalog Number	Gland Plate
	TN4X6-392907	None
	TN4X6-392907-B	Side B
	TN4X6-392907-AB	Sides A & B
	TN4X6-392907-BCD	Sides B, C & D
TN4X6-392907-ABCD	Sides A, B, C & D	

### MAXIMUM NUMBER OF CABLE/CONDUIT ENTRIES

SIZE		WITHOUT GLAND PLATES		WITH GLAND PLATES <sup>6</sup>	
NPT	Metric	Sides A & B	Sides C & D	Sides A & B	Sides C & D
1/2	M16	115	150	18	24
3/4	M20	76	100	14	20
1	M25	45	60	6	8
1 1/4	M32	24	32	4	6
1 1/2	M40	22	28	4	5
2	M50	16	22	3	4
2 1/2	M63	7	10	3	4

### MAXIMUM TERMINAL BLOCK CONTENT

MIN CONDUCTOR SIZE		.5mm <sup>2</sup>	1.5mm <sup>2</sup>	2.5mm <sup>2</sup>	4mm <sup>2</sup>	6mm <sup>2</sup>	10mm <sup>2</sup>	16mm <sup>2</sup>	35mm <sup>2</sup>			
MIN CONDUCTOR SIZE AWG		22	16	14	12	10	8	6	2			
MAXIMUM AMPERAGE		3	8	10	16	20	25	35	50	63	80	100
Terminal Block Size	1.5mm <sup>2</sup>	←167→		81	x	x	x	x	x	x	x	
	2.5mm <sup>2</sup>	←1197→		54	31	x	x	x	x	x	x	
	4mm <sup>2</sup>	←1197→		209	60	34	x	x	x	x	x	
	6mm <sup>2</sup>	←756→			66	26	x	x	x	x		
	10mm <sup>2</sup>	←516→				64	21	x	x	x		
	16mm <sup>2</sup>	←284→					53	24	x	x		
35mm <sup>2</sup>	←106→								98	26		

- NOTES**
- For stainless steel 304 construction, substitute TN4X6 prefix with TN4X.
  - The maximum terminal block content is based on vertical rail installation. For horizontal installations, consult factory.
  - For applications requiring multiple terminal block configurations and ampacities, consult factory.
  - For applications requiring larger terminal blocks or custom enclosure sizes, consult factory.
  - For conduit/cable spacings, wire bending and wire conversion guidelines, refer to the inside back cover of this catalog.
  - There are (2) gland plates on each side, quantity shown is for (1) plate.

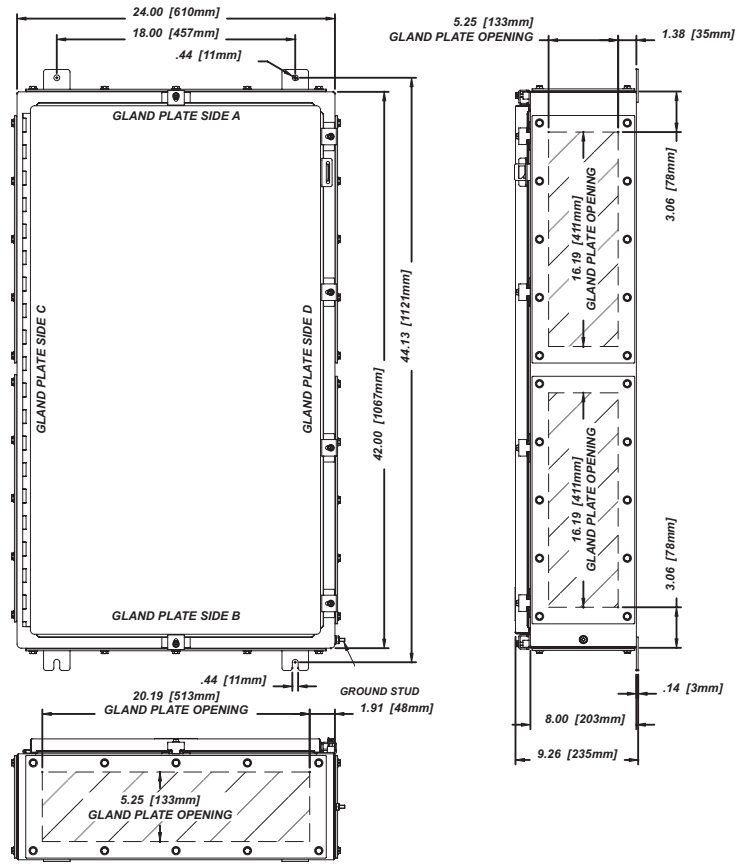
Increased Safety

# TN SERIES

## 42" x 24" Clamped Door

STAINLESS STEEL 316L

8" [203.2mm] Depth	ENCLOSURES WITH TERMINALS	
	Catalog Number	Gland Plate
	TN4X6-422408	None
	TN4X6-422408-B	Side B
	TN4X6-422408-AB	Sides A & B
	TN4X6-422408-BCD	Sides B, C & D
TN4X6-422408-ABCD	Sides A, B, C & D	



Increased Safety

### MAXIMUM NUMBER OF CABLE/CONDUIT ENTRIES

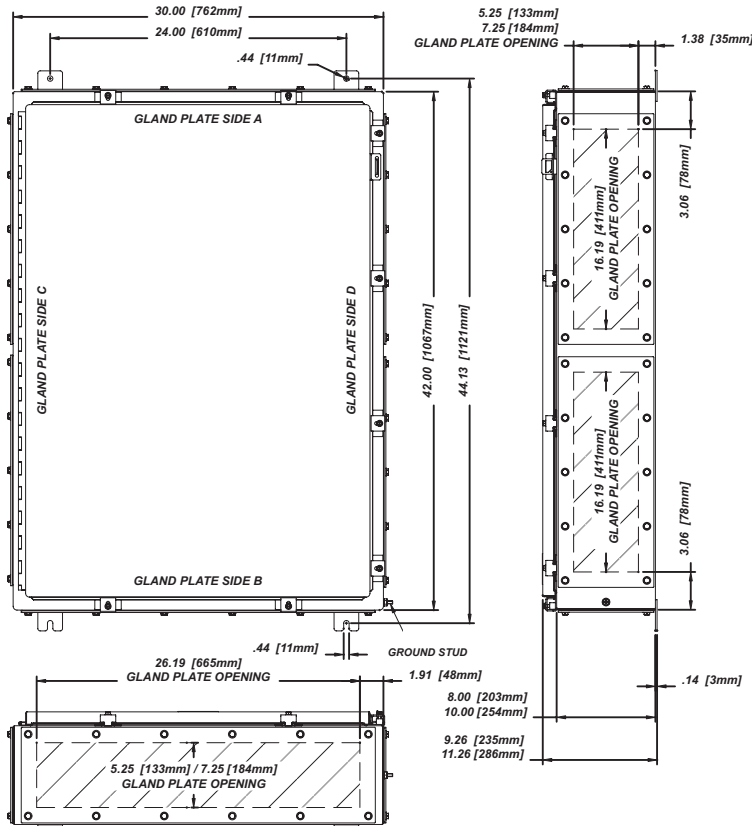
SIZE		WITHOUT GLAND PLATES						WITH GLAND PLATES <sup>6</sup>					
NPT	Metric	Sides A & B			Sides C & D			Sides A & B			Sides C & D		
		06	08	10	06	08	10	06	08	10	06	08	10
1/2	M16	-	114	-	-	192	-	-	64	-	-	52	-
3/4	M20	-	80	-	-	135	-	-	39	-	-	33	-
1	M25	-	52	-	-	88	-	-	33	-	-	24	-
1 1/4	M32	-	30	-	-	51	-	-	16	-	-	14	-
1 1/2	M40	-	27	-	-	45	-	-	14	-	-	12	-
2	M50	-	14	-	-	24	-	-	6	-	-	5	-
2 1/2	M63	-	12	-	-	20	-	-	5	-	-	4	-

### MAXIMUM TERMINAL BLOCK CONTENT

MIN CONDUCTOR SIZE		.5mm <sup>2</sup>	1.5mm <sup>2</sup>	2.5mm <sup>2</sup>	4mm <sup>2</sup>	6mm <sup>2</sup>	10mm <sup>2</sup>	16mm <sup>2</sup>	35mm <sup>2</sup>	
MIN CONDUCTOR SIZE AWG		22	16	14	12	10	8	6	2	
MAXIMUM AMPERAGE		3	8 10	16 20	25	35	50	63	80 100	
Terminal Block Size	1.5mm <sup>2</sup>	←153→		74	x	x	x	x	x	x
	2.5mm <sup>2</sup>	←930→			49	29	x	x	x	x
	4mm <sup>2</sup>	←930→			191	55	31	x	x	x
	6mm <sup>2</sup>	←590→				60	28	x	x	x
	10mm <sup>2</sup>	←470→					59	19	x	x
	16mm <sup>2</sup>	←234→						49	22	x
35mm <sup>2</sup>	←116→								90	x

- NOTES**
- For stainless steel 304 construction, substitute TN4X6 prefix with TN4X.
  - The maximum terminal block content is based on vertical rail installation. For horizontal installations, consult factory.
  - For applications requiring multiple terminal block configurations and ampacities, consult factory.
  - For applications requiring larger terminal blocks or custom enclosure sizes, consult factory.
  - For conduit/cable spacings, wire bending and wire conversion guidelines, refer to the inside back cover of this catalog.
  - There are (2) gland plates on each side, quantity shown is for (1) plate.

## 42" x 30" Clamped Door



STAINLESS STEEL 316L

ENCLOSURES WITH TERMINALS	
8" [203.2mm] Depth	Catalog Number   Gland Plate
	TN4X6-423008   None
	TN4X6-423008-B   Side B
	TN4X6-423008-AB   Sides A & B
	TN4X6-423008-BCD   Sides B, C & D
10" [254.0mm] Depth	TN4X6-423010   None
	TN4X6-423010-B   Side B
	TN4X6-423010-AB   Sides A & B
	TN4X6-423010-BCD   Sides B, C & D
	TN4X6-423010-ABCD   Sides A, B, C & D

### MAXIMUM NUMBER OF CABLE/CONDUIT ENTRIES

SIZE		WITHOUT GLAND PLATES						WITH GLAND PLATES <sup>6</sup>					
NPT	Metric	Sides A & B			Sides C & D			Sides A & B			Sides C & D		
		06	08	10	06	08	10	06	08	10	06	08	10
1/2	M16	-	144	192	-	192	256	-	84	126	-	52	78
3/4	M20	-	100	120	-	135	162	-	51	85	-	33	55
1	M25	-	64	80	-	88	110	-	42	56	-	24	32
1 1/4	M32	-	36	48	-	51	68	-	22	33	-	14	21
1 1/2	M40	-	33	44	-	45	60	-	20	20	-	12	12
2	M50	-	18	27	-	24	36	-	8	20	-	5	10
2 1/2	M63	-	14	14	-	20	20	-	7	14	-	4	8

### MAXIMUM TERMINAL BLOCK CONTENT

MIN CONDUCTOR SIZE	.5mm <sup>2</sup>	1.5mm <sup>2</sup>	2.5mm <sup>2</sup>	4mm <sup>2</sup>	6mm <sup>2</sup>	10mm <sup>2</sup>	16mm <sup>2</sup>	35mm <sup>2</sup>			
MIN CONDUCTOR SIZE AWG	22	16	14	12	10	8	6	2			
MAXIMUM AMPERAGE	3	8	10	16	20	25	35	50	63	80	100
Terminal Block Size	1.5mm <sup>2</sup>	←172→	84	x	x	x	x	x	x	x	x
	2.5mm <sup>2</sup>	←1302→		55	32	x	x	x	x	x	x
	4mm <sup>2</sup>	←1302→		216	63	35	x	x	x	x	x
	6mm <sup>2</sup>		←826→		68	27	x	x	x	x	x
	10mm <sup>2</sup>			←564→		66	21	x	x	x	x
	16mm <sup>2</sup>				←390→		55	25	x	x	x
35mm <sup>2</sup>								←174→		101	27

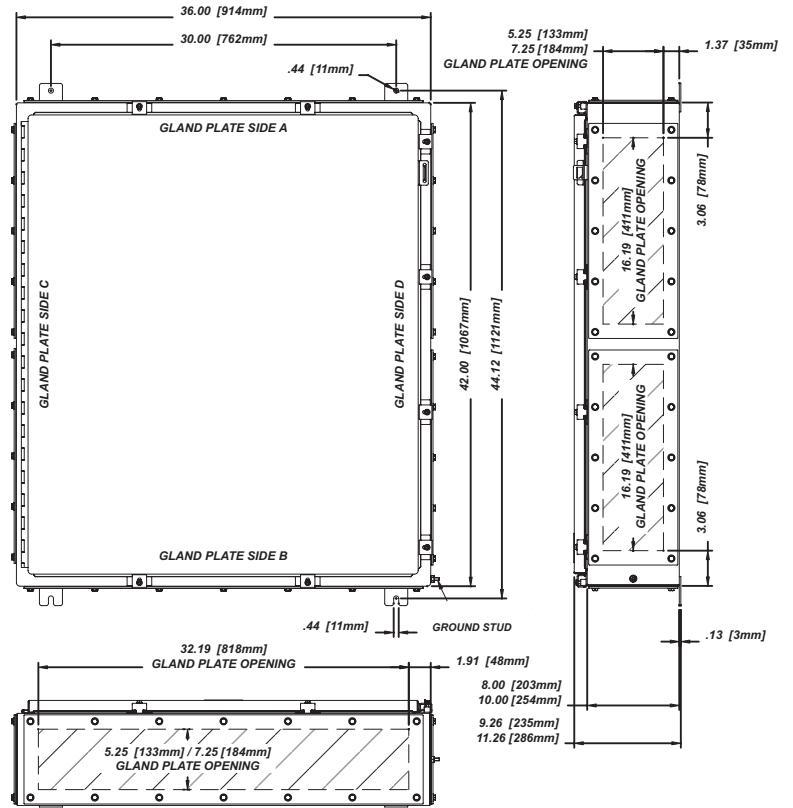
- NOTES**
1. For stainless steel 304 construction, substitute TN4X6 prefix with TN4X.
  2. The maximum terminal block content is based on vertical rail installation. For horizontal installations, consult factory.
  3. For applications requiring multiple terminal block configurations and ampacities, consult factory.
  4. For applications requiring larger terminal blocks or custom enclosure sizes, consult factory.
  5. For conduit/cable spacings, wire bending and wire conversion guidelines, refer to the inside back cover of this catalog.
  6. There are (2) gland plates on each side, quantity shown is for (1) plate.

# TN SERIES

## 42" x 36" Clamped Door

STAINLESS STEEL 316L

ENCLOSURES WITH TERMINALS		
8" [203.2mm] Depth	Catalog Number	Gland Plate
	TN4X6-423608	None
	TN4X6-423608-B	Side B
	TN4X6-423608-AB	Sides A & B
	TN4X6-423608-BCD	Sides B, C & D
10" [254.0mm] Depth	Catalog Number	Gland Plate
	TN4X6-423610	None
	TN4X6-423610-B	Side B
	TN4X6-423610-AB	Sides A & B
	TN4X6-423610-BCD	Sides B, C & D
TN4X6-423610-ABCD	Sides A, B, C & D	



Increased Safety

### MAXIMUM NUMBER OF CABLE/CONDUIT ENTRIES

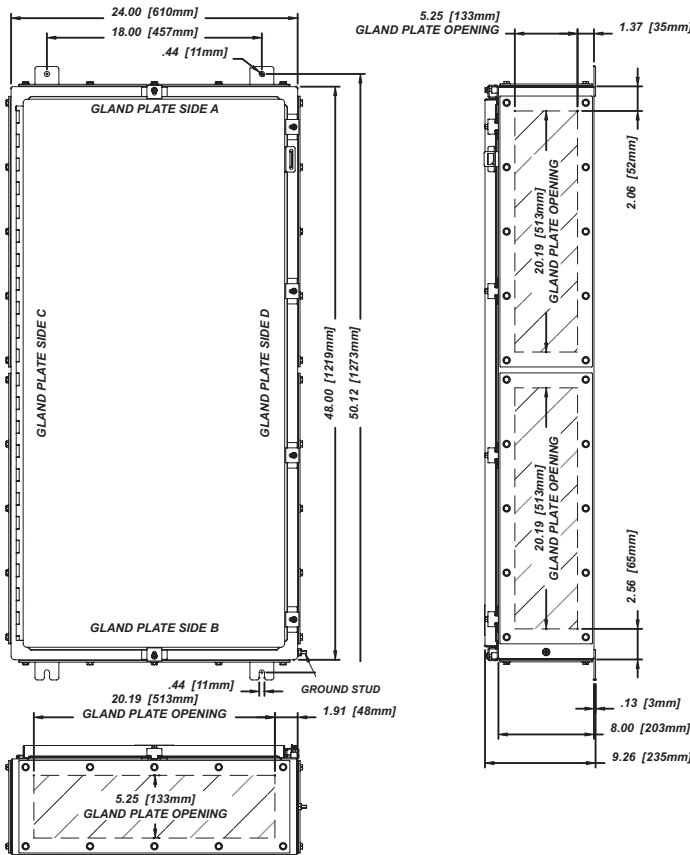
SIZE		WITHOUT GLAND PLATES						WITH GLAND PLATES <sup>6</sup>					
NPT	Metric	Sides A & B			Sides C & D			Sides A & B			Sides C & D		
		06	08	10	06	08	10	06	08	10	06	08	10
1/2	M16	-	174	232	-	192	256	-	100	150	-	52	78
3/4	M20	-	120	144	-	135	162	-	63	105	-	33	55
1	M25	-	76	95	-	88	110	-	51	68	-	24	32
1 1/4	M32	-	45	60	-	51	68	-	26	39	-	14	21
1 1/2	M40	-	39	52	-	45	60	-	24	24	-	12	12
2	M50	-	20	30	-	24	36	-	9	18	-	5	10
2 1/2	M63	-	18	18	-	20	20	-	8	16	-	4	8

### MAXIMUM TERMINAL BLOCK CONTENT

MIN CONDUCTOR SIZE		.5mm <sup>2</sup>	1.5mm <sup>2</sup>	2.5mm <sup>2</sup>	4mm <sup>2</sup>	6mm <sup>2</sup>	10mm <sup>2</sup>	16mm <sup>2</sup>	35mm <sup>2</sup>			
MIN CONDUCTOR SIZE AWG		22	16	14	12	10	8	6	2			
MAXIMUM AMPERAGE		3	8	10	16	20	25	35	50	63	80	100
Terminal Block Size	1.5mm <sup>2</sup>	←188→		91	x	x	x	x	x	x	x	x
	2.5mm <sup>2</sup>	←1488→			61	35	x	x	x	x	x	x
	4mm <sup>2</sup>	←1488→			236	68	39	x	x	x	x	x
	6mm <sup>2</sup>	←944→				75	28	x	x	x	x	x
	10mm <sup>2</sup>	←658→					72	23	x	x	x	x
	16mm <sup>2</sup>	←468→						60	28	x	x	x
35mm <sup>2</sup>	←174→								111	29		

- NOTES**
- For stainless steel 304 construction, substitute TN4X6 prefix with TN4X.
  - The maximum terminal block content is based on vertical rail installation. For horizontal installations, consult factory.
  - For applications requiring multiple terminal block configurations and ampacities, consult factory.
  - For applications requiring larger terminal blocks or custom enclosure sizes, consult factory.
  - For conduit/cable spacings, wire bending and wire conversion guidelines, refer to the inside back cover of this catalog.
  - There are (2) gland plates on each side, quantity shown is for (1) plate.

## 48" x 24" Clamped Door



STAINLESS STEEL 316L

8" [203.2mm] Depth	ENCLOSURES WITH TERMINALS	
	Catalog Number	Gland Plate
	TN4X6-482408	None
	TN4X6-482408-B	Side B
	TN4X6-482408-AB	Sides A & B
	TN4X6-482408-BCD	Sides B, C & D
TN4X6-482408-ABCD	Sides A, B, C & D	

### MAXIMUM NUMBER OF CABLE/CONDUIT ENTRIES

SIZE		WITHOUT GLAND PLATES						WITH GLAND PLATES <sup>6</sup>					
		Sides A & B			Sides C & D			Sides A & B			Sides C & D		
NPT	Metric	06	08	10	06	08	10	06	08	10	06	08	10
1/2	M16	-	114	-	-	222	-	-	64	-	-	64	-
3/4	M20	-	80	-	-	155	-	-	39	-	-	39	-
1	M25	-	52	-	-	100	-	-	33	-	-	33	-
1 1/4	M32	-	30	-	-	57	-	-	16	-	-	16	-
1 1/2	M40	-	27	-	-	54	-	-	14	-	-	14	-
2	M50	-	14	-	-	28	-	-	6	-	-	6	-
2 1/2	M63	-	12	-	-	24	-	-	5	-	-	5	-

### MAXIMUM TERMINAL BLOCK CONTENT

MIN CONDUCTOR SIZE	.5mm <sup>2</sup>	1.5mm <sup>2</sup>	2.5mm <sup>2</sup>	4mm <sup>2</sup>	6mm <sup>2</sup>	10mm <sup>2</sup>	16mm <sup>2</sup>	35mm <sup>2</sup>			
MIN CONDUCTOR SIZE AWG	22	16	14	12	10	8	6	2			
MAXIMUM AMPERAGE	3	8	10	16	20	25	35	50	63	80	100
Terminal Block Size	1.5mm <sup>2</sup>	←155→	75	x	x	x	x	x	x	x	x
	2.5mm <sup>2</sup>	←1085→	50	29	x	x	x	x	x	x	x
	4mm <sup>2</sup>	←1085→	195	56	32	x	x	x	x	x	x
	6mm <sup>2</sup>	←685→			61	24	x	x	x	x	x
	10mm <sup>2</sup>	←545→				60	19	x	x	x	x
	16mm <sup>2</sup>	←273→					49	23	x	x	x
35mm <sup>2</sup>				←134→					91	24	

- NOTES**
- For stainless steel 304 construction, substitute TN4X6 prefix with TN4X.
  - The maximum terminal block content is based on vertical rail installation. For horizontal installations, consult factory.
  - For applications requiring multiple terminal block configurations and ampacities, consult factory.
  - For applications requiring larger terminal blocks or custom enclosure sizes, consult factory.
  - For conduit/cable spacings, wire bending and wire conversion guidelines, refer to the inside back cover of this catalog.
  - There are (2) gland plates on each side, quantity shown is for (1) plate.

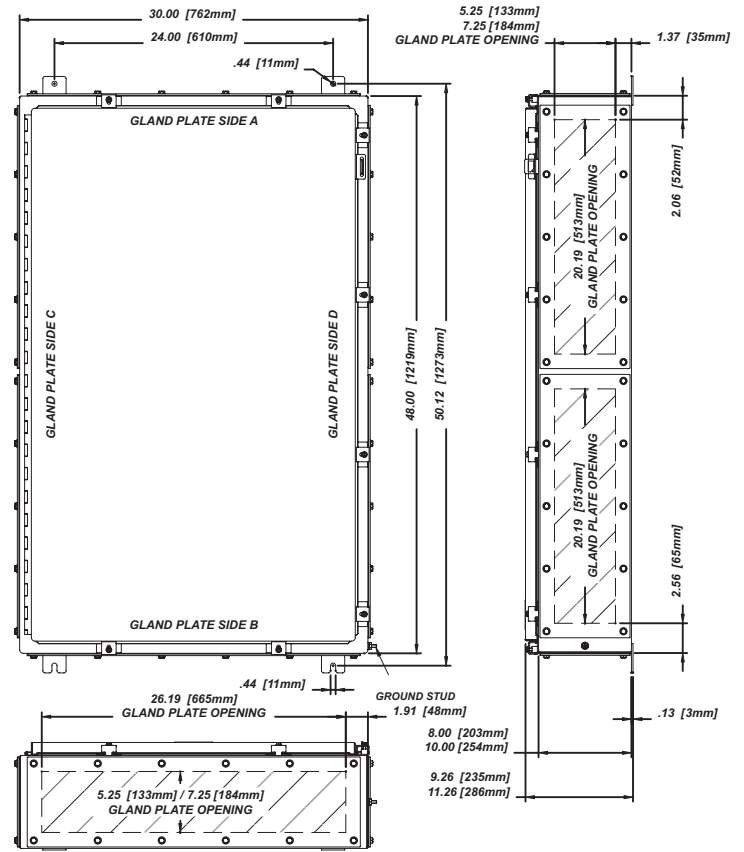
Increased Safety

# TN SERIES

## 48" x 30" Clamped Door

STAINLESS STEEL 316L

Depth	ENCLOSURES WITH TERMINALS	
	Catalog Number	Gland Plate
8" [203.2mm]	TN4X6-483008	None
	TN4X6-483008-B	Side B
	TN4X6-483008-AB	Sides A & B
	TN4X6-483008-BCD	Sides B, C & D
	TN4X6-483008-ABCD	Sides A, B, C & D
10" [254.0mm]	TN4X6-483010	None
	TN4X6-483010-B	Side B
	TN4X6-483010-AB	Sides A & B
	TN4X6-483010-BCD	Sides B, C & D
	TN4X6-483010-ABCD	Sides A, B, C & D



### MAXIMUM NUMBER OF CABLE/CONDUIT ENTRIES

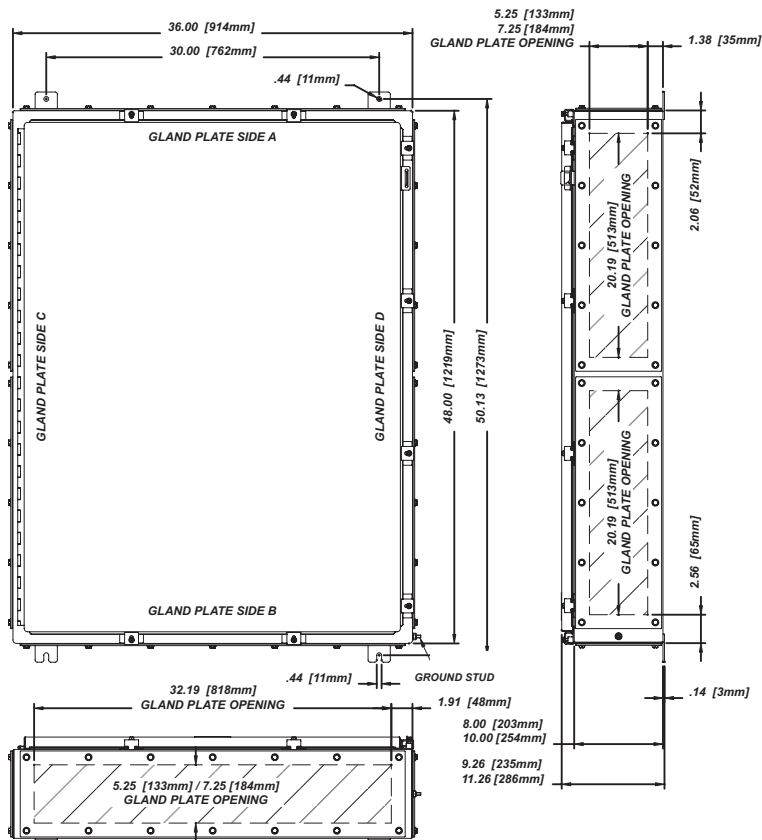
SIZE		WITHOUT GLAND PLATES						WITH GLAND PLATES <sup>6</sup>					
NPT	Metric	Sides A & B			Sides C & D			Sides A & B			Sides C & D		
		06	08	10	06	08	10	06	08	10	06	08	10
1/2	M16	-	144	192	-	222	296	-	84	126	-	64	96
3/4	M20	-	100	120	-	155	186	-	51	85	-	39	65
1	M25	-	64	80	-	100	125	-	42	56	-	33	44
1 1/4	M32	-	36	48	-	57	76	-	22	33	-	16	24
1 1/2	M40	-	33	44	-	54	72	-	20	20	-	14	14
2	M50	-	18	27	-	28	42	-	8	16	-	6	12
2 1/2	M63	-	14	14	-	24	24	-	7	14	-	5	10

### MAXIMUM TERMINAL BLOCK CONTENT

MIN CONDUCTOR SIZE		.5mm <sup>2</sup>	1.5mm <sup>2</sup>	2.5mm <sup>2</sup>	4mm <sup>2</sup>	6mm <sup>2</sup>	10mm <sup>2</sup>	16mm <sup>2</sup>	35mm <sup>2</sup>			
MIN CONDUCTOR SIZE AWG		22	16	14	12	10	8	6	2			
MAXIMUM AMPERAGE		3	8	10	16	20	25	35	50	63	80	100
Terminal Block Size	1.5mm <sup>2</sup>	←177→		86	x	x	x	x	x	x	x	x
	2.5mm <sup>2</sup>	←1519→			57	33	x	x	x	x	x	x
	4mm <sup>2</sup>	←1519→			222	64	36	x	x	x	x	x
	6mm <sup>2</sup>	←959→				70	27	x	x	x	x	x
	10mm <sup>2</sup>	←654→					68	22	x	x	x	x
	16mm <sup>2</sup>	←455→						56	26	x	x	x
	35mm <sup>2</sup>	←201→								104	27	

- NOTES**
1. For stainless steel 304 construction, substitute TN4X6 prefix with TN4X.
  2. The maximum terminal block content is based on vertical rail installation. For horizontal installations, consult factory.
  3. For applications requiring multiple terminal block configurations and ampacities, consult factory.
  4. For applications requiring larger terminal blocks or custom enclosure sizes, consult factory.
  5. For conduit/cable spacings, wire bending and wire conversion guidelines, refer to the inside back cover of this catalog.
  6. There are (2) gland plates on each side, quantity shown is for (1) plate.

## 48" x 36" Clamped Door



STAINLESS STEEL 316L

ENCLOSURES WITH TERMINALS	
8" [203.2mm] Depth	Catalog Number   Gland Plate
	TN4X6-483608   None
	TN4X6-483608-B   Side B
	TN4X6-483608-AB   Sides A & B
	TN4X6-483608-BCD   Sides B, C & D
10" [254.0mm] Depth	TN4X6-483608-ABCD   Sides A, B, C & D
	TN4X6-483610   None
	TN4X6-483610-B   Side B
	TN4X6-483610-AB   Sides A & B
	TN4X6-483610-BCD   Sides B, C & D
	TN4X6-483610-ABCD   Sides A, B, C & D

### MAXIMUM NUMBER OF CABLE/CONDUIT ENTRIES

SIZE		WITHOUT GLAND PLATES						WITH GLAND PLATES <sup>6</sup>					
NPT	Metric	Sides A & B			Sides C & D			Sides A & B			Sides C & D		
		06	08	10	06	08	10	06	08	10	06	08	10
1/2	M16	-	174	232	-	222	296	-	100	150	-	64	96
3/4	M20	-	120	144	-	155	186	-	63	105	-	39	65
1	M25	-	76	95	-	100	125	-	51	68	-	33	44
1 1/4	M32	-	45	60	-	57	76	-	26	39	-	16	24
1 1/2	M40	-	39	52	-	54	72	-	24	24	-	14	14
2	M50	-	20	30	-	28	42	-	9	18	-	6	12
2 1/2	M63	-	18	18	-	24	24	-	8	16	-	5	10

### MAXIMUM TERMINAL BLOCK CONTENT

MIN CONDUCTOR SIZE	.5mm <sup>2</sup>	1.5mm <sup>2</sup>	2.5mm <sup>2</sup>	4mm <sup>2</sup>	6mm <sup>2</sup>	10mm <sup>2</sup>	16mm <sup>2</sup>	35mm <sup>2</sup>				
MIN CONDUCTOR SIZE AWG	22	16	14	12	10	8	6	2				
MAXIMUM AMPERAGE	3	8	10	16	20	25	35	50	63	80	100	
Terminal Block Size	1.5mm <sup>2</sup>	←196→	95	x	x	x	x	x	x	x	x	
	2.5mm <sup>2</sup>	←1736→		63	37	x	x	x	x	x	x	
	4mm <sup>2</sup>	←1736→		245	71	40	x	x	x	x	x	
	6mm <sup>2</sup>		←1096→			77	30	x	x	x	x	
	10mm <sup>2</sup>			←763→				75	24	x	x	x
	16mm <sup>2</sup>				←546→					62	29	x
35mm <sup>2</sup>											115	30

- NOTES**
- For stainless steel 304 construction, substitute TN4X6 prefix with TN4X.
  - The maximum terminal block content is based on vertical rail installation. For horizontal installations, consult factory.
  - For applications requiring multiple terminal block configurations and ampacities, consult factory.
  - For applications requiring larger terminal blocks or custom w sizes, consult factory.
  - For conduit/cable spacings, wire bending and wire conversion guidelines, refer to the inside back cover of this catalog.
  - There are (2) gland plates on each side, quantity shown is for (1) plate.

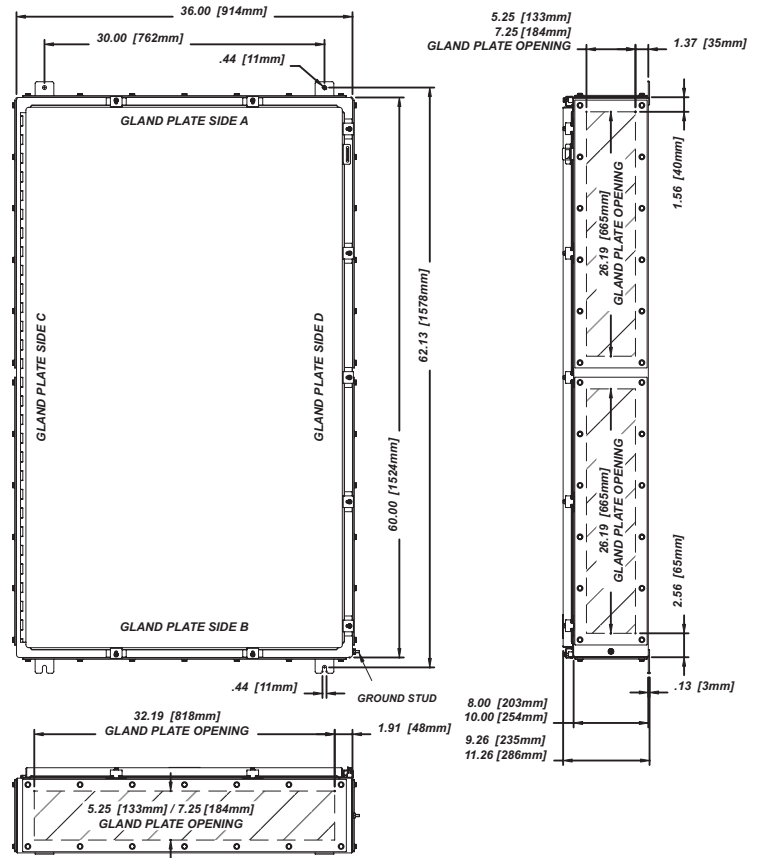
Increased Safety

# TN SERIES

## 60" x 36" Clamped Door

STAINLESS STEEL 316L

Depth	ENCLOSURES WITH TERMINALS	
	Catalog Number	Gland Plate
8" [203.2mm]	TN4X6-603608	None
	TN4X6-603608-B	Side B
	TN4X6-603608-AB	Sides A & B
	TN4X6-603608-BCD	Sides B, C & D
	TN4X6-603608-ABCD	Sides A, B, C & D
10" [254.0mm]	TN4X6-603610	None
	TN4X6-603610-B	Side B
	TN4X6-603610-AB	Sides A & B
	TN4X6-603610-BCD	Sides B, C & D
	TN4X6-603610-ABCD	Sides A, B, C & D



### MAXIMUM NUMBER OF CABLE/CONDUIT ENTRIES

SIZE		WITHOUT GLAND PLATES						WITH GLAND PLATES <sup>6</sup>					
NPT	Metric	Sides A & B			Sides C & D			Sides A & B			Sides C & D		
		06	08	10	06	08	10	06	08	10	06	08	10
1/2	M16	-	174	232	-	282	376	-	100	150	-	84	126
3/4	M20	-	120	144	-	195	234	-	63	105	-	51	85
1	M25	-	76	95	-	124	155	-	51	68	-	42	56
1 1/4	M32	-	45	60	-	72	96	-	26	39	-	22	33
1 1/2	M40	-	39	52	-	66	88	-	24	24	-	20	30
2	M50	-	20	30	-	34	51	-	9	18	-	8	16
2 1/2	M63	-	18	18	-	14	30	-	8	16	-	7	14

### MAXIMUM TERMINAL BLOCK CONTENT

MIN CONDUCTOR SIZE		.5mm <sup>2</sup>	1.5mm <sup>2</sup>	2.5mm <sup>2</sup>	4mm <sup>2</sup>	6mm <sup>2</sup>	10mm <sup>2</sup>	16mm <sup>2</sup>	35mm <sup>2</sup>	
MIN CONDUCTOR SIZE AWG		22	16	14	12	10	8	6	2	
MAXIMUM AMPERAGE		3	8 10	16 20	25	35	50	63	80 100	
Terminal Block Size	1.5mm <sup>2</sup>	←206→		100	x	x	x	x	x	x
	2.5mm <sup>2</sup>	←2224→		66	39	x	x	x	x	x
	4mm <sup>2</sup>	←2224→		258	75	47	x	x	x	x
	6mm <sup>2</sup>	←1408→			81	32	x	x	x	x
	10mm <sup>2</sup>	←980→				79	26	x	x	x
	16mm <sup>2</sup>	←696→					68	30	x	x
	35mm <sup>2</sup>			←258→					121	32

- NOTES**
- For stainless steel 304 construction, substitute TN4X6 prefix with TN4X.
  - The maximum terminal block content is based on vertical rail installation. For horizontal installations, consult factory.
  - For applications requiring multiple terminal block configurations and ampacities, consult factory.
  - For applications requiring larger terminal blocks or custom enclosure sizes, consult factory.
  - For conduit/cable spacings, wire bending and wire conversion guidelines, refer to the inside back cover of this catalog.
  - There are (2) gland plates on each side, quantity shown is for (1) plate.



# ENCLOSURE CUSTOMIZATION



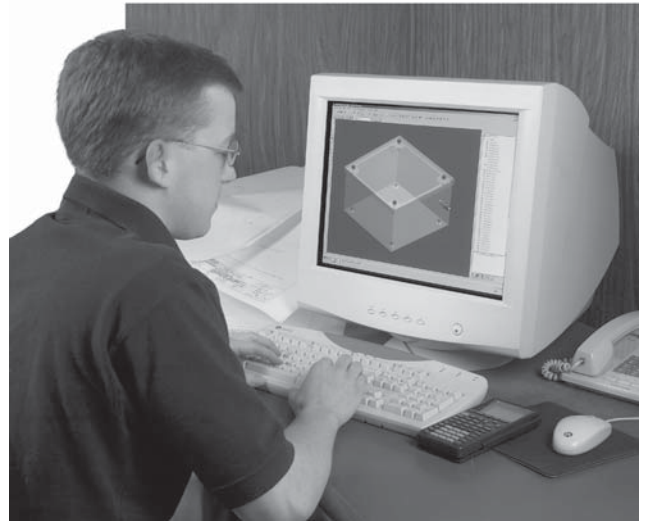
## We're Quick to Modify

Adalet has some of the industry's fastest leadtimes—not just for a few "standard" models, but for hundreds of enclosures. We're also very willing to modify any of the items presented in this catalog to better meet your application needs and production schedule.

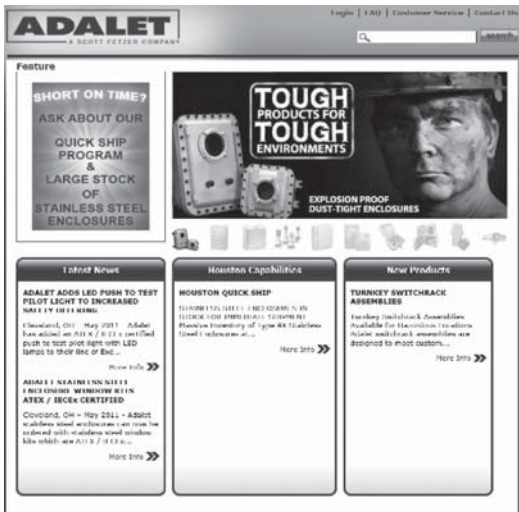
- Custom sizes & special enclosure designs
- Holes and cutouts in both cover and body
- Installed operators in cover
- Installed terminal blocks and DIN rails
- Silkscreening, custom logos & special paint colors
- UL approved window kits

## Expert Engineers

ADALET's application engineers have decades of specialized electrical enclosure experience, ready to solve your unique application requirements.



Increased Safety



Visit Us Online  
[www.adalet.com](http://www.adalet.com)

Download detailed CAD drawings for any of the enclosures shown in this catalog by simply visiting [www.adalet.com](http://www.adalet.com).

# TN SERIES - EMPTY

## TN Series Enclosures - Empty

Adalet's Empty Single Door Clamped Enclosures are available in Stainless Steel 316L & 304. Adalet can also supply custom size enclosures, operators, and components to suit your Increased Safety Application. Silicone gaskets, removable hinge pin, box & cover ground studs including an external earthing stud and internal standoffs for mounting panels are standard.

### FEATURES

- 64 standard enclosure sizes, available in SS316L or SS304.
- Folded lip around door opening for complete and maximum gasket contact
- Continuously welded seams and ground smooth
- Silicone cover gasket
- Hinge - continuous piano type, with removable stainless steel pin
- Ground studs - on door and box, including an external ground stud
- Welded on external mounting feet
- Padlock hasp for padlocking

### OPTIONS

- Gland plates, predrilled or solid for field drilling
- Cable glands, stopping plugs, reducers, adaptors installation
- Terminal rail assemblies - any Exe terminal block
- Breather/drain
- Custom polyester powder coating and painting
- Mounting pans
- Custom size enclosures and gland plates

### MATERIAL

<b>TN4X Series</b>	#14ga Stainless Steel 304 - Brushed Finish
<b>TN4X6 Series</b>	#14ga Stainless Steel 316L - Brushed Finish
<b>TN4X Gland Plates</b>	#10ga Stainless Steel 304 - Brushed Finish
<b>TN4X Gland Plates</b>	#10ga Stainless Steel 316L - Brushed Finish

#### GASKET

<b>Cover</b>	Silicone Sponge
<b>Gland Plates</b>	Silicone Sponge

**ENCLOSURE MOUNTING** Four (4) external lugs w/.44" clearance holes/slots

**GLAND PLATE HARDWARE** 300 Series Stainless Steel

### CERTIFICATIONS

Class II, Division 2

Class I, Zone 1, AEx e II

Ex e II (Canada)

Type 4

DEMKO 01 ATEX 0112700U

0539 Ex II 2 GD

Ex e II

Ex tD A21 IP66

IECEx UL 10.0021U

Ex e II

Ex tD A21 IP66



Continuous Piano Type Hinge



Brushed Finish  
Stainless Steel

#### LID FIXING

<b>Hinge -</b>	<b>TN4X</b>	Continuous piano type - SS304 with removable pin
	<b>TN4X6</b>	Continuous piano type - SS316L with removable pin

<b>Door Clamps -</b>	<b>TN4X</b>	Stainless Steel 304
	<b>TN4X6</b>	Stainless Steel 316L

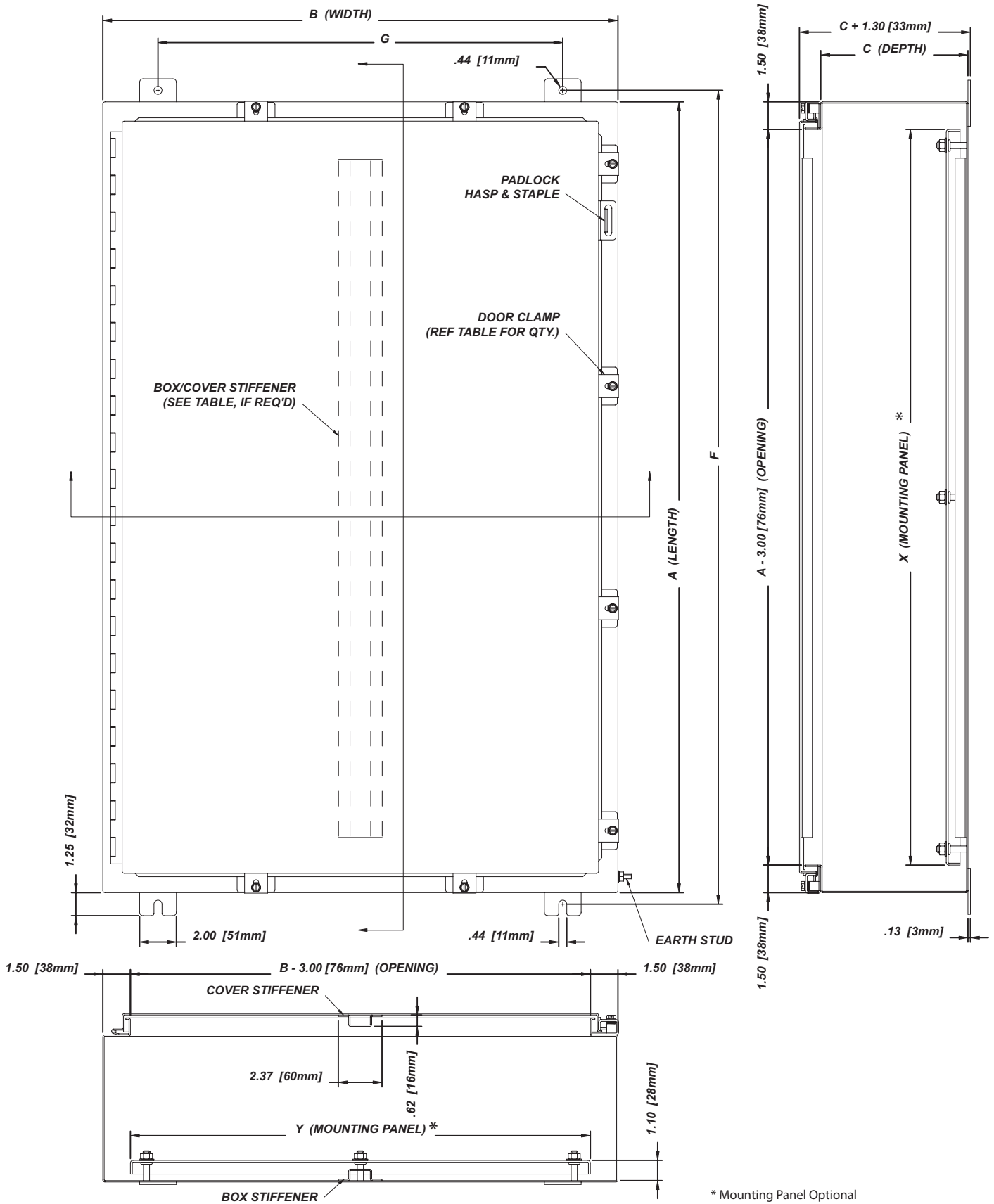
#### GROUNDING

<b>Box &amp; Cover</b>	1/4-20 Stud with 300 Series Stainless Steel hardware
------------------------	--

**IMPACT RESISTANT** 7 Nm

**AMBIENT TEMPERATURE RANGE** -20°C to +70°C

# TN SERIES - EMPTY



\* Mounting Panel Optional

Increased Safety

# TN SERIES - EMPTY

STAINLESS STEEL 316L

ENCLOSURE	Gauge Thickness		Box Dimensions			Clamps	Mtg. Center		Stiffener		Panel Cat No.	Panel Dimensions	
	Box	Door	A	B	C	#	F	G	Box	Door	optional	X	Y
TN4X6-161206U	14	14	16.00	12.00	6.00	4	18.13	9.50	---	---	V1612	13.00	9.00
TN4X6-161606U	14	14	16.00	16.00	6.00	4	18.13	10.00	---	---	V1616	13.00	13.00
TN4X6-162006U	14	14	16.00	20.00	6.00	4	18.13	14.00	---	---	V2016	13.00	17.00
TN4X6-201606U	14	14	20.00	16.00	6.00	4	22.13	10.00	---	---	V2016	17.00	13.00
TN4X6-202006U	14	14	20.00	20.00	6.00	4	22.13	14.00	---	---	V2020	17.00	17.00
TN4X6-202406U	14	14	20.00	24.00	6.00	4	22.13	18.00	---	---	V2420	17.00	21.00
TN4X6-241206U	14	14	24.00	12.00	6.00	5	26.13	9.50	---	---	V2412	21.00	9.00
TN4X6-241606U	14	14	24.00	16.00	6.00	5	26.13	10.00	---	---	V2416	21.00	13.00
TN4X6-242006U	14	14	24.00	20.00	6.00	5	26.13	14.00	---	---	V2420	21.00	17.00
TN4X6-242406U	14	14	24.00	24.00	6.00	5	26.13	18.00	---	---	V2424	21.00	21.00
TN4X6-302006U	14	14	30.00	20.00	6.00	5	32.13	14.00	---	---	V3020	27.00	17.00
TN4X6-302406U	14	14	30.00	24.00	6.00	5	32.13	18.00	---	---	V3024	27.00	21.00
TN4X6-362406U	14	14	36.00	24.00	6.00	5	38.13	18.00	---	---	V3624	33.00	21.00
TN4X6-363006U	14	14	36.00	30.00	6.00	7	38.13	24.00	REQ'D	---	V3630	33.00	27.00
TN4X6-161208U	14	14	16.00	12.00	8.00	4	18.13	9.50	---	---	V1612	13.00	9.00
TN4X6-161608U	14	14	16.00	16.00	8.00	4	18.13	10.00	---	---	V1616	13.00	13.00
TN4X6-162008U	14	14	16.00	20.00	8.00	4	18.13	14.00	---	---	V2016	13.00	17.00
TN4X6-201608U	14	14	20.00	16.00	8.00	4	22.13	10.00	---	---	V2016	17.00	13.00
TN4X6-202008U	14	14	20.00	20.00	8.00	4	22.13	14.00	---	---	V2020	17.00	17.00
TN4X6-202408U	14	14	20.00	24.00	8.00	4	22.13	18.00	---	---	V2420	17.00	21.00
TN4X6-241608U	14	14	24.00	16.00	8.00	5	26.13	10.00	---	---	V2416	21.00	13.00
TN4X6-242008U	14	14	24.00	20.00	8.00	5	26.13	14.00	---	---	V2420	21.00	17.00
TN4X6-242408U	14	14	24.00	24.00	8.00	5	26.13	18.00	---	---	V2424	21.00	21.00
TN4X6-243008U	14	14	24.00	30.00	8.00	7	26.13	24.00	---	---	V3024	21.00	27.00
TN4X6-302008U	14	14	30.00	20.00	8.00	5	32.13	14.00	---	---	V3020	27.00	17.00
TN4X6-302408U	14	14	30.00	24.00	8.00	5	32.13	18.00	---	---	V3024	27.00	21.00
TN4X6-303008U	14	14	30.00	30.00	8.00	7	32.13	24.00	REQ'D	---	V3030	27.00	27.00
TN4X6-362408U	14	14	36.00	24.00	8.00	5	38.13	18.00	---	---	V3624	33.00	21.00
TN4X6-363008U	14	14	36.00	30.00	8.00	7	38.13	24.00	REQ'D	---	V3630	33.00	27.00
TN4X6-363608U	14	14	36.00	36.00	8.00	7	38.13	30.00	REQ'D	REQ'D	V3636	33.00	33.00
TN4X6-423008U	14	14	42.00	30.00	8.00	8	44.13	24.00	REQ'D	REQ'D	V4230	39.00	27.00
TN4X6-423608U	14	14	42.00	36.00	8.00	8	44.13	30.00	REQ'D	REQ'D	V4236	39.00	33.00
TN4X6-483608U	14	14	48.00	36.00	8.00	8	50.13	30.00	REQ'D	REQ'D	V4836	45.00	33.00
TN4X6-201610U	14	14	20.00	16.00	10.00	4	22.13	10.00	---	---	V2016	17.00	13.00

INCHES

Increased Safety

- NOTES**
- For stainless steel 304 constructions substitute TN4X6 (SS316L Prefix) with TN4X (SS304 Prefix).
  - Gland plate options area available on enclosure depths < 12 inches deep, consult factory for gland plates on enclosures > 10 inches deep.

**Add the following suffixes for gland plates:**

- A: Gland plate installed on TOP side of box
- B: Gland plate installed on BOTTOM side of box
- C: Gland plate installed on LEFT side of box
- D: Gland plate installed on RIGHT side of box

For multiple gland plates omit dashes. (i.e. TN4X6-161608-ABCD)

# TN SERIES - EMPTY

STAINLESS STEEL 316L

INCHES

ENCLOSURE	Gauge Thickness		Box Dimensions			Clamps	Mtg. Center		Stiffener		Panel Cat No.	Panel Dimensions	
	Box	Door	A	B	C	#	F	G	Box	Door	optional	X	Y
TN4X6-202010U	14	14	20.00	20.00	10.00	4	22.13	14.00	---	---	V2020	17.00	17.00
TN4X6-242010U	14	14	24.00	20.00	10.00	5	26.13	14.00	---	---	V2420	21.00	17.00
TN4X6-242410U	14	14	24.00	24.00	10.00	5	26.13	18.00	---	---	V2424	21.00	21.00
TN4X6-302410U	14	14	30.00	24.00	10.00	5	32.13	18.00	---	---	V3024	27.00	21.00
TN4X6-362410U	14	14	36.00	24.00	10.00	5	38.13	18.00	---	---	V3624	33.00	21.00
TN4X6-363010U	14	14	36.00	30.00	10.00	7	38.13	24.00	REQ'D	---	V3630	33.00	27.00
TN4X6-423010U	14	14	42.00	30.00	10.00	8	44.13	24.00	REQ'D	REQ'D	V4230	39.00	27.00
TN4X6-423610U	14	14	42.00	36.00	10.00	8	44.13	30.00	REQ'D	REQ'D	V4236	39.00	33.00
TN4X6-483610U	14	14	48.00	36.00	10.00	8	50.13	30.00	REQ'D	REQ'D	V4836	45.00	33.00
TN4X6-603610U	14	14	60.00	36.00	10.00	9	62.13	30.00	REQ'D	REQ'D	V6036	57.00	33.00
TN4X6-201612U	14	14	20.00	16.00	12.00	4	22.13	10.00	---	---	V2016	17.00	13.00
TN4X6-242012U	14	14	24.00	20.00	12.00	5	26.13	14.00	---	---	V2420	21.00	17.00
TN4X6-242412U	14	14	24.00	24.00	12.00	5	26.13	18.00	---	---	V2424	21.00	21.00
TN4X6-302412U	14	14	30.00	24.00	12.00	5	32.13	18.00	---	---	V3024	27.00	21.00
TN4X6-303012U	14	14	30.00	30.00	12.00	7	32.13	24.00	REQ'D	---	V3030	27.00	27.00
TN4X6-362412U	14	14	36.00	24.00	12.00	5	38.13	18.00	---	---	V3624	33.00	21.00
TN4X6-363012U	14	14	36.00	30.00	12.00	7	38.13	24.00	REQ'D	---	V3630	33.00	27.00
TN4X6-363612U	14	14	36.00	36.00	12.00	7	38.13	30.00	REQ'D	REQ'D	V3636	33.00	33.00
TN4X6-423012U	14	14	42.00	30.00	12.00	8	44.13	24.00	REQ'D	REQ'D	V4230	39.00	27.00
TN4X6-423612U	14	14	42.00	36.00	12.00	8	44.13	30.00	REQ'D	REQ'D	V4236	39.00	33.00
TN4X6-483612U	14	14	48.00	36.00	12.00	8	50.13	30.00	REQ'D	REQ'D	V4836	45.00	33.00
TN4X6-603612U	14	14	60.00	36.00	12.00	9	62.13	30.00	REQ'D	REQ'D	V6036	57.00	33.00
TN4X6-242016U	14	14	24.00	20.00	16.00	5	26.13	14.00	---	---	V2420	21.00	17.00
TN4X6-242416U	14	14	24.00	24.00	16.00	5	26.13	18.00	---	---	V2424	21.00	21.00
TN4X6-302416U	14	14	30.00	24.00	16.00	5	32.13	18.00	---	---	V3024	27.00	21.00
TN4X6-363016U	14	14	36.00	30.00	16.00	7	38.13	24.00	REQ'D	---	V3630	33.00	27.00
TN4X6-423616U	14	14	42.00	36.00	16.00	8	44.13	30.00	REQ'D	REQ'D	V4236	39.00	33.00
TN4X6-483616U	14	14	48.00	36.00	16.00	8	50.13	30.00	REQ'D	REQ'D	V4836	45.00	33.00
TN4X6-603616U	14	14	60.00	36.00	16.00	9	62.13	30.00	REQ'D	REQ'D	V6036	57.00	33.00
TN4X6-302420U	14	14	30.00	24.00	20.00	5	32.13	18.00	---	---	V3024	27.00	21.00
TN4X6-363020U	14	14	36.00	30.00	20.00	7	38.13	24.00	REQ'D	---	V3630	33.00	27.00
TN4X6-483620U	14	14	48.00	36.00	20.00	8	50.13	30.00	REQ'D	REQ'D	V4836	45.00	33.00
TN4X6-603620U	14	14	60.00	36.00	20.00	9	62.13	30.00	REQ'D	REQ'D	V6036	57.00	33.00
TN4X6-302424U	14	14	30.00	24.00	20.00	5	32.13	18.00	---	---	V3024	27.00	21.00

Increased Safety

- NOTES**
1. For stainless steel 304 constructions substitute TN4X6 (SS316L Prefix) with TN4X (SS304 Prefix).
  2. Gland plate options area available on enclosure depths < 12 inches deep, consult factory for gland plates on enclosures > 10 inches deep.

- Add the following suffixes for gland plates:**
- A: Gland plate installed on TOP side of box
  - B: Gland plate installed on BOTTOM side of box
  - C: Gland plate installed on LEFT side of box
  - D: Gland plate installed on RIGHT side of box
- For multiple gland plates omit dashes. (i.e. TN4X6-161608-ABCD)*

# ACCESSORIES

## Window Kits

### STANDARD FEATURES

- Type 304 & 316L stainless steel frame and retaining plate
- Watertight silicone gasket
- Stainless steel hardware
- Tempered plate glass
- Installed on any stainless steel enclosure 12-16 gauge material
- Various sizes from 3 x 3 through 24 x 24

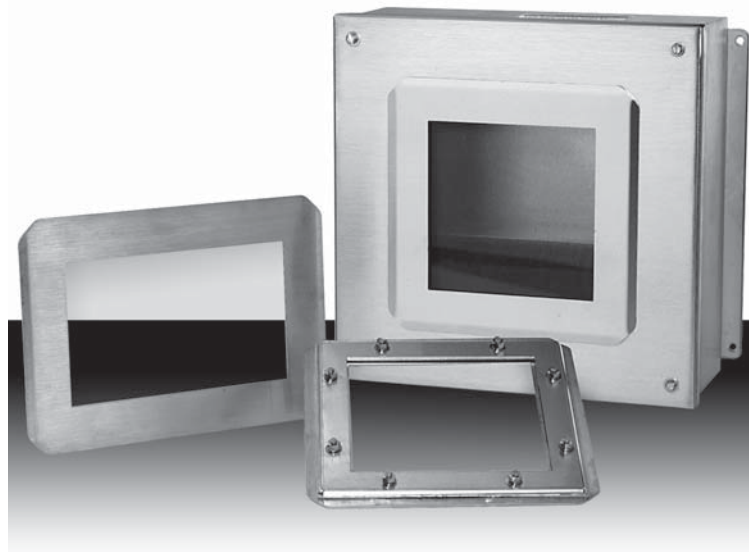
### MATERIAL

- 12 gauge / Type 304 or 316L stainless steel
- Stainless steel hardware
- #3 / #4 brushed finish

### CERTIFICATIONS

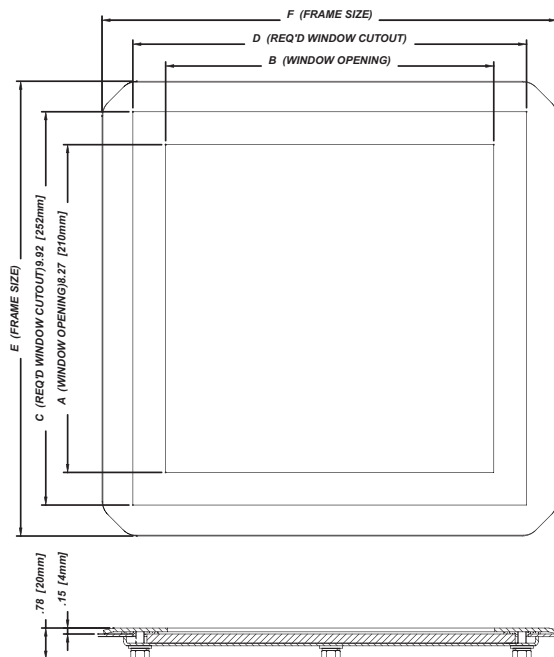
Exe II U (Canada)  
 Class I, Zone 1, AExe  
 Class II, Division 2 Group F & G  
 Type 3, 3R, 4, 4X, 12 & 13  
 03 ATEX 0247663U  
 0539 II 2 G D  
 Ex e II  
 Ex tD A21 IP66  
 IECEx UL11-00140

CSA E60079-7 / IEC 60079-7 / EN60079-7  
 UL 60079-7  
 UL 1604  
 IEC 60529  
 UL 50



Increased Safety

EWK WINDOW KITS							
SS 316L Catalog Number	Viewing Area		Cutout		Frame Size		
	A	B	C	D	E	F	
EWK-0303SS6	3.00	3.00	4.81	4.81	6.50	6.50	
EWK-0503SS6	5.00	3.00	6.81	4.81	8.50	6.50	
EWK-0505SS6	5.00	5.00	6.81	6.81	8.50	8.50	
EWK-0703SS6	7.00	3.00	8.81	4.81	10.50	6.50	
EWK-0707SS6	7.00	7.00	8.81	8.81	10.50	10.50	
EWK-0905SS6	9.00	5.50	10.81	7.31	12.50	9.00	
EWK-0909SS6	9.00	9.00	10.81	10.81	12.50	12.50	
EWK-1111SS6	11.00	11.00	12.81	12.81	14.50	14.50	
EWK-1303SS6	13.00	3.00	14.81	3.81	16.50	6.50	
EWK-1308SS6	13.00	8.00	14.81	9.81	16.50	11.50	
EWK-1313SS6	13.00	13.00	14.81	14.81	16.50	16.50	
EWK-1515SS6	15.00	15.00	16.81	16.81	18.50	18.50	
EWK-1705SS6	17.00	5.50	18.81	7.31	20.50	9.00	
EWK-1711SS6	17.00	11.00	18.81	12.81	20.50	14.50	
EWK-1717SS6	17.00	17.00	18.81	18.81	20.50	20.50	
EWK-2315SS6	23.00	15.00	24.81	16.81	26.50	18.50	
EWK-2424SS6	24.00	24.00	25.81	24.81	27.50	27.50	



## Inner Panels

**TSC SERIES - 14 Ga. (.075) Steel, White Polyester Powder Coat Finish**

Catalog Number	For Enclosure	Panel Size (H x W)
05P05	5 x 5	3 7/8 x 3 7/8
06P04	6 x 4	4 7/8 x 2 7/8
06P06	6 x 6	4 7/8 x 4 7/8
07P07	7 x 7	5 7/8 x 5 7/8
08P06	8 x 6	6 7/8 x 4 7/8
08P08	8 x 8	6 7/8 x 6 7/8
10P08	10 x 8	8 7/8 x 6 7/8
10P10	10 x 10	8 7/8 x 8 7/8
12P06	12 x 6	10 7/8 x 4 7/8
12P08	12 X 8	10 7/8 x 6 7/8
12P10	12 x 10	10 7/8 x 8 7/8
12P12	12 x 12	10 7/8 x 10 7/8
14P08	14 x 8	12 7/8 x 6 7/8
14P12	14 x 12	12 7/8 x 10 7/8
15P15	15 x 15	13 7/8 x 13 7/8
16P12	16 x 12	14 7/8 x 10 7/8
16P14	16 x 14	14 7/8 x 12 7/8
16P16	16 x 16	14 7/8 x 14 7/8

**TN and CN SERIES - 12 Ga. (.1054) Steel, White Polyester Powder Coat**

Catalog Number	For Enclosure	Panel Size (H x W)
V-1212	12 x 12	9 x 9
V-1612	16 x 12	13 x 9
V-1616	16 x 16	13 x 13
V-2012	20 x 12	17 x 19
V-2016	20 x 16 (16 x 20)	17 x 13
V-2020	20 x 20	17 x 17
V-2412	24 x 12 (12 x 24)	21 x 9
V-2416	24 x 16	21 x 13
V-2420	24 x 20 (20 x 24)	21 x 17
V-2424	24 x 24	21 x 21
V-3016	30 x 16	27 x 13
V-3020	30 x 20	27 x 17
V-3024	30 x 24 (24 x 30)	27 x 21
V-3030	30 x 30	27 x 27
V-3624	36 x 24	33 x 21
V-3630	36 x 30 (30 x 36)	33 x 27
V-3636	36 x 36	33 x 33
V-4224	42 x 24	35 x 21
V-4230	42 x 30	39 x 27
V-4236	42 x 36	39 x 33
V-4824	48 x 24	45 x 21
V-4830	48 x 30	42 x 27
V-4836	48 x 36	45 x 33

**NOTES**

1. For stainless steel 316L mounting panels add suffix -SS6 to catalog number.
2. Custom sizes and panels fabricated from stainless steel, painted carbon steel and aluminum are available. Consult factory.

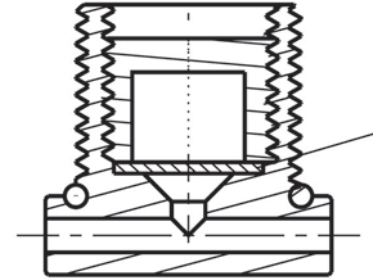
Increased Safety

# ACCESSORIES

## Combination Breather/Drains Type Be Series

### Standard Features

- Allows the air inside an Ex e Zone 1 enclosure to breathe with the surrounding atmosphere
- Allows any moisture that enters the enclosure to drain while maintaining the overall integrity of the installation
- 7Nm impact resistance
- Thread - Other thread forms available  
Metric: 1.5mm Pitch - Medium Fit 6g
- Certified for Exe clearance hole applications where the castellated nut is used to secure the installation




Be Series

### Material

- Nickel Plated Brass "N" (-50° to +80° C)
- 316 Stainless Steel "S" (-50° to +80° C)
- O Ring Options - Nitrile (-30 to +80 C)  
Silicone (-50 to 80 C)
- Nitrile O Ring supplied as a standard on versions with parallel male threads

### Certifications

IECEX	ATEX  II 2 G D	Canada
Ex e II	Ex e II G b	Ex e II
Ex tD A21 IP66	Ex tb IIIC Db IP66	DIP A21

### Part Number Structure

Example - Be.20.N.NT

- Type Be Breather Drain
- M20 Male Thread
- Nickel Plated Brass
- Nitrile O Ring

PART NUMBER BUILD **Be** **20** **N** **NT**

BASE CATALOG NUMBER

THREAD DESIGNATION						
Metric	NPT	NPS	ISO	ISO	ET	PG
20	½	½S	½P	½T	¾E	13
25	¾	¾S	¾P	¾T	1E	16P

**O-RING**  
 Nitrile (std.) - NT  
 Silicone - SC

**MATERIAL**  
 Nickel Plated Brass - N  
 316 Stainless Steel - S



IECEX



## Data Pockets

Data pockets are used inside of the enclosure to provide space to store wiring diagrams, operation manuals and other pertinent data.

Molded from polystyrene and mounted with double sided tape (provided).

DATA POCKETS	
Catalog Number	Description
M1657	6" x 6" x 1"
M3547	10" x 10" x 1"
M3534	12" x 12" x 2.75"

## Drip Shield

Drip shields protect door hardware from dripping water and settling dust.

**Factory installed only. For use with TN & CN Series Enclosures only.**

DRIP SHIELDS	
Catalog Number	Description
DS12	for 12" wide enclosures
DS16	for 16" wide enclosures
DS20	for 20" wide enclosures
DS24	for 24" wide enclosures
DS30	for 30" wide enclosures
DS36	for 36" wide enclosures

## Labels / Legend Plates

Labels and legend plates are used to identify enclosures and/or operating devices. Available in 3-ply laminated plastic or anodized aluminum. Labels and legend plates are laser engraved for permanent and quality appearance.

Custom engraving available for sheet sizes up to 12" x 24" sheets.

**To order:** Specify size and text engraving instructions. For laminated plastic, please specify face color and letter color. For custom artwork engineering, consult factory.

# CN SERIES

## Control Enclosures

### STANDARD FEATURES

- 64 standard sizes available
- Stainless steel cover clamps and screws
- Continuous piano hinge with removable stainless steel pin
- Watertight silicone gasket
- Padlock hasp and staple
- 3/8 - 16 x 1" collar studs
- Ground stud on box and cover
- External ground stud
- Wall mounting feet

### DESIGN OPTIONS

- Gland plates (6" deep or greater) can be supplied pre-drilled or blank for field drilling
- Mounting panels
- Drilled entries and cut-outs
- Adalet EH series Exe operators
- Legend plates and lamacoid or stainless steel name plates
- Breather / drain
- Stopping plugs
- Terminal block assemblies
- Stainless steel mounting panels
- Cable glands and conduit fittings
- Internal earth bar
- Custom sizes

### MATERIAL

- Type 304 or 316L Stainless Steel
- Enclosure and cover constructed from 14 gauge (.075) stainless steel with #3/4 brush finish
- Gland plates constructed from 10 gauge (.1345) stainless steel with a #3 / #4 brush finish
- Silicone gasket constructed from 1/4" Bisco silicone with acrylic PSA
- Gland plate gasket constructed from 1/8" Bisco silicone with acrylic PSA

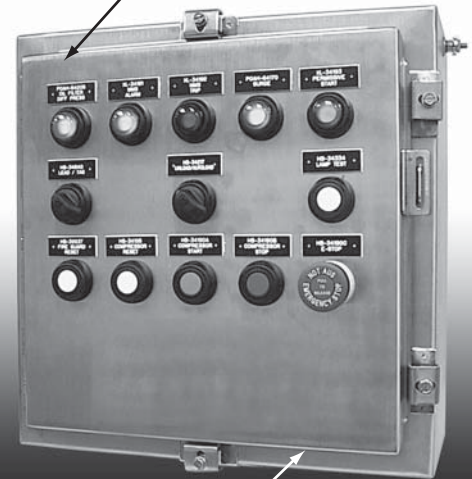
### CERTIFICATIONS (POPULATED ENCLOSURE)

Class I, Division 2, Groups A, B, C, D  
 Class II, Division 2, Groups F, G  
 Class I, Zone 1, AEx d e mb IIC T6 (T5:Ta<sub>≤</sub>+55° C)  
 Type 4X, 12, 13  
 Ex d e mb IIC T6X (T5:Ta<sub>≤</sub>+55° C) (Canada)  
 IECEx UL 09.0020X  
 Ex d e mb IIC T6(T5:Ta<sub>≤</sub>+55° C)  
 Ex tD A21 IP66 T200° C  
 DEMKO 01 ATEX 130437X  
 CE 0539 Ex II 2 G Ex d e mb IIC T6(T5:Ta<sub>≤</sub>+55° C)  
 CE 0539 Ex II 2 D Ex tD A21 IP66 T200° C

### CERTIFICATIONS (EMPTY ENCLOSURE)

Class II, Division 2  
 Class I, Zone 1, AEx e II  
 Ex e II U (Canada)  
 Type 4  
 DEMKO 01 ATEX 0112700U  
 0539 Ex II 2 GD  
 Ex e II  
 Ex tD A21 IP66  
 IECEx UL 10.0031U  
 Ex e II  
 Ex tD A21 IP66 T200° C

Stainless Steel Captive  
Slotted Hex Head Bolts

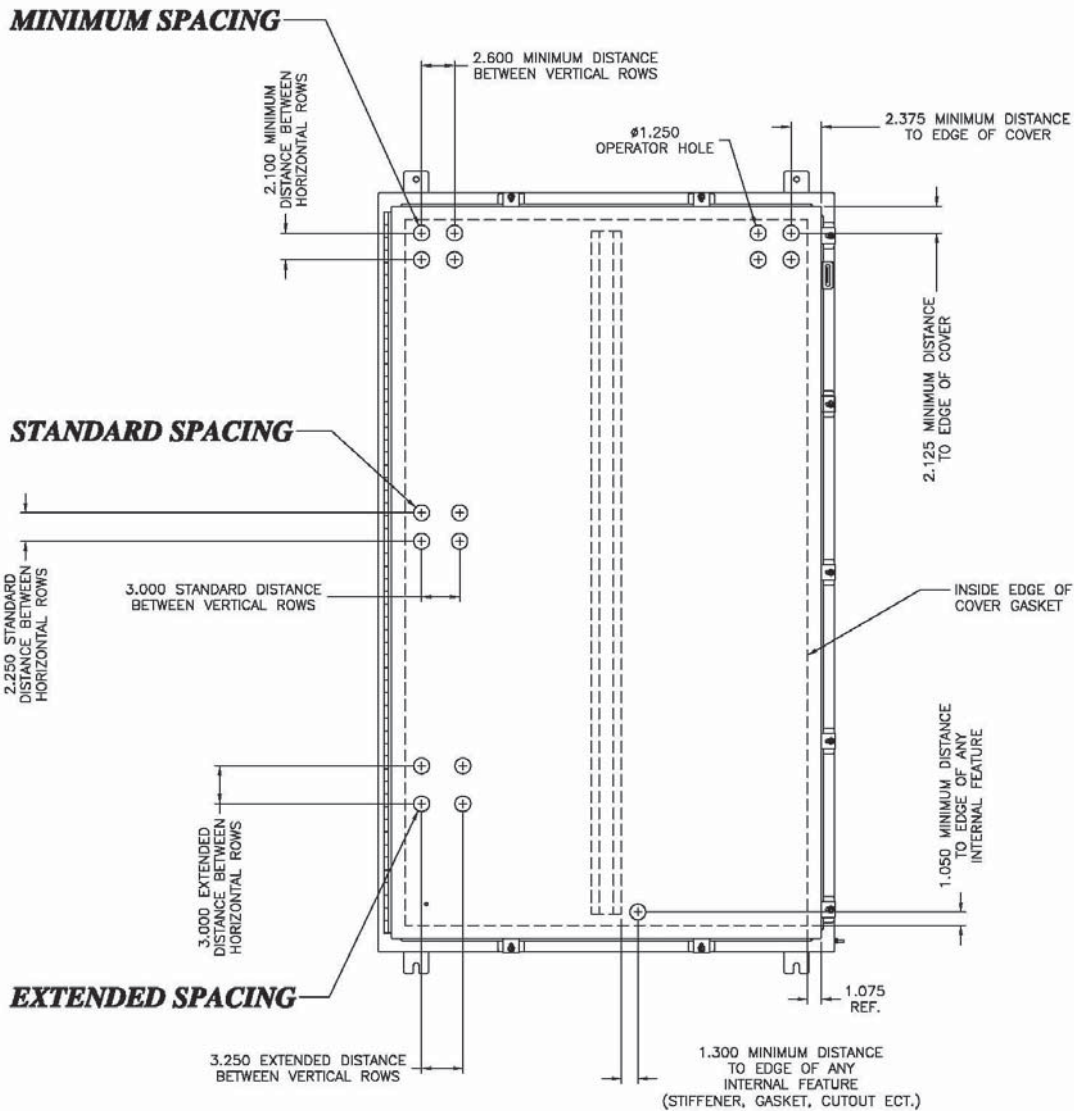
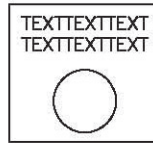
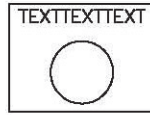


Available in Stainless  
Steel 304 or 316L



**ADALET OPERATOR SPACING OPTIONS:**

1. ADALET MINIMUM SPACING: MINIMUM ALLOWABLE SPACING, DOES NOT ALLOW FOR ANY LEGEND PLATES.
2. ADALET STANDARD SPACING: ALLOWS FOR STANDARD LEGEND PLATES FOR MAXIMUM ONE LINE OF ENGRAVED TEXT.
3. ADALET EXTENDED SPACING: ALLOWS FOR EXTENDED LEGEND PLATES FOR MAXIMUM TWO LINES OF ENGRAVED TEXT.



Increased Safety

# CN SERIES

STAINLESS STEEL 316L

ENCLOSURE	Gauge Thickness		Box Dimensions			Clamps	Mtg. Center		Stiffener		Panel Cat No.	Panel Dimensions	
	Box	Door	A	B	C	#	F	G	Box	Door	optional	X	Y
CN4X6-161206	16	14	16.00	12.00	6.00	4	17.25	9.50	---	---	V1612	13.00	9.00
CN4X6-161606	16	14	16.00	16.00	6.00	4	17.25	10.00	---	---	V1616	13.00	13.00
CN4X6-162006	16	14	16.00	20.00	6.00	4	17.25	14.00	---	---	V2016	13.00	17.00
CN4X6-201606	16	14	20.00	16.00	6.00	4	21.25	10.00	---	---	V2016	17.00	13.00
CN4X6-202006	16	14	20.00	20.00	6.00	4	21.25	14.00	---	---	V2020	17.00	17.00
CN4X6-202406	16	14	20.00	24.00	6.00	4	21.25	18.00	---	---	V2420	17.00	21.00
CN4X6-241206	16	14	24.00	12.00	6.00	5	25.25	9.50	---	---	V2412	21.00	9.00
CN4X6-241606	16	14	24.00	16.00	6.00	5	25.25	10.00	---	---	V2416	21.00	13.00
CN4X6-242006	16	14	24.00	20.00	6.00	5	25.25	14.00	---	---	V2420	21.00	17.00
CN4X6-242406	16	14	24.00	24.00	6.00	5	25.25	18.00	---	---	V2424	21.00	21.00
CN4X6-302006	14	14	30.00	20.00	6.00	5	31.25	14.00	---	---	V3020	27.00	17.00
CN4X6-302406	14	14	30.00	24.00	6.00	5	31.25	18.00	---	---	V3024	27.00	21.00
CN4X6-362406	14	14	36.00	24.00	6.00	5	37.25	18.00	---	---	V3624	33.00	21.00
CN4X6-363006	14	14	36.00	30.00	6.00	7	37.25	24.00	REQ'D	---	V3630	33.00	27.00
CN4X6-161208	16	14	16.00	12.00	8.00	4	17.25	9.50	---	---	V1612	13.00	9.00
CN4X6-161608	16	14	16.00	16.00	8.00	4	17.25	10.00	---	---	V1616	13.00	13.00
CN4X6-162008	16	14	16.00	20.00	8.00	4	17.25	14.00	---	---	V2016	13.00	17.00
CN4X6-201608	16	14	20.00	16.00	8.00	4	21.25	10.00	---	---	V2016	17.00	13.00
CN4X6-202008	16	14	20.00	20.00	8.00	4	21.25	14.00	---	---	V2020	17.00	17.00
CN4X6-202408	16	14	20.00	24.00	8.00	4	21.25	18.00	---	---	V2420	17.00	21.00
CN4X6-241608	16	14	24.00	16.00	8.00	5	25.25	10.00	---	---	V2416	21.00	13.00
CN4X6-242008	16	14	24.00	20.00	8.00	5	25.25	14.00	---	---	V2420	21.00	17.00
CN4X6-242408	16	14	24.00	24.00	8.00	5	25.25	18.00	---	---	V2424	21.00	21.00
CN4X6-243008	14	14	24.00	30.00	8.00	7	25.25	24.00	---	---	V3024	21.00	27.00
CN4X6-302008	14	14	30.00	20.00	8.00	5	31.25	14.00	---	---	V3020	27.00	17.00
CN4X6-302408	14	14	30.00	24.00	8.00	5	31.25	18.00	---	---	V3024	27.00	21.00
CN4X6-303008	14	14	30.00	30.00	8.00	7	31.25	24.00	REQ'D	---	V3030	27.00	27.00
CN4X6-362408	14	14	36.00	24.00	8.00	5	37.25	18.00	---	---	V3624	33.00	21.00
CN4X6-363008	14	14	36.00	30.00	8.00	7	37.25	24.00	REQ'D	---	V3630	33.00	27.00
CN4X6-363608	14	14	36.00	36.00	8.00	7	37.25	30.00	REQ'D	REQ'D	V3636	33.00	33.00
CN4X6-423008	14	14	42.00	30.00	8.00	8	43.25	24.00	REQ'D	REQ'D	V4230	39.00	27.00
CN4X6-423608	14	14	42.00	36.00	8.00	8	43.25	30.00	REQ'D	REQ'D	V4236	39.00	33.00
CN4X6-483608	14	14	48.00	36.00	8.00	8	49.25	30.00	REQ'D	REQ'D	V4836	45.00	33.00
CN4X6-201610	16	14	20.00	16.00	10.00	4	21.25	10.00	---	---	V2016	17.00	13.00

INCHES

Increased Safety

- NOTES**
1. For stainless steel 304 constructions, substitute CN4X6 (SS316L Prefix) with CN4X (SS304 Prefix).
  2. Gland plate options area available on enclosure < 12 inches deep, consult factory for gland plates on enclosures > 10 inches deep.

**Add the following suffixes for gland plates:**

- A: Gland plate installed on TOP side of box
- B: Gland plate installed on BOTTOM side of box
- C: Gland plate installed on LEFT side of box
- D: Gland plate installed on RIGHT side of box

For multiple gland plates omit dashes. (i.e. CN4X6-161608-ABCD)

STAINLESS STEEL 316L

INCHES

ENCLOSURE	Gauge Thickness		Box Dimensions			Clamps	Mtg. Center		Stiffener		Panel Cat No.	Panel Dimensions	
	Box	Door	A	B	C	#	F	G	Box	Door	optional	X	Y
CN4X6-202010	16	14	20.00	20.00	10.00	4	21.25	14.00	---	---	V2020	17.00	17.00
CN4X6-242010	16	14	24.00	20.00	10.00	5	25.25	14.00	---	---	V2420	21.00	17.00
CN4X6-242410	16	14	24.00	24.00	10.00	5	25.25	18.00	---	---	V2424	21.00	21.00
CN4X6-302410	14	14	30.00	24.00	10.00	5	31.25	18.00	---	---	V3024	27.00	21.00
CN4X6-362410	14	14	36.00	24.00	10.00	5	37.25	18.00	---	---	V3624	33.00	21.00
CN4X6-363010	14	14	36.00	30.00	10.00	7	37.25	24.00	REQ'D	---	V3630	33.00	27.00
CN4X6-423010	14	14	42.00	30.00	10.00	8	43.25	24.00	REQ'D	REQ'D	V4230	39.00	27.00
CN4X6-423610	14	14	42.00	36.00	10.00	8	43.25	30.00	REQ'D	REQ'D	V4236	39.00	33.00
CN4X6-483610	14	14	48.00	36.00	10.00	8	49.25	30.00	REQ'D	REQ'D	V4836	45.00	33.00
CN4X6-603610	14	14	60.00	36.00	10.00	9	61.25	30.00	REQ'D	REQ'D	V6036	57.00	33.00
CN4X6-201612	16	14	20.00	16.00	12.00	4	21.25	10.00	---	---	V2016	17.00	13.00
CN4X6-242012	16	14	24.00	20.00	12.00	5	25.25	14.00	---	---	V2420	21.00	17.00
CN4X6-242412	16	14	24.00	24.00	12.00	5	25.25	18.00	---	---	V2424	21.00	21.00
CN4X6-302412	14	14	30.00	24.00	12.00	5	31.25	18.00	---	---	V3024	27.00	21.00
CN4X6-303012	14	14	30.00	30.00	12.00	7	31.25	24.00	REQ'D	---	V3030	27.00	27.00
CN4X6-362412	14	14	36.00	24.00	12.00	5	37.25	18.00	---	---	V3624	33.00	21.00
CN4X6-363012	14	14	36.00	30.00	12.00	7	37.25	24.00	REQ'D	---	V3630	33.00	27.00
CN4X6-363612	14	14	36.00	36.00	12.00	7	37.25	30.00	REQ'D	REQ'D	V3636	33.00	33.00
CN4X6-423012	14	14	42.00	30.00	12.00	8	43.25	24.00	REQ'D	REQ'D	V4230	39.00	27.00
CN4X6-423612	14	14	42.00	36.00	12.00	8	43.25	30.00	REQ'D	REQ'D	V4236	39.00	33.00
CN4X6-483612	14	14	48.00	36.00	12.00	8	49.25	30.00	REQ'D	REQ'D	V4836	45.00	33.00
CN4X6-603612	14	14	60.00	36.00	12.00	9	61.25	30.00	REQ'D	REQ'D	V6036	57.00	33.00
CN4X6-242016	16	14	24.00	20.00	16.00	5	25.25	14.00	---	---	V2420	21.00	17.00
CN4X6-242416	16	14	24.00	24.00	16.00	5	25.25	18.00	---	---	V2424	21.00	21.00
CN4X6-302416	14	14	30.00	24.00	16.00	5	31.25	18.00	---	---	V3024	27.00	21.00
CN4X6-363016	14	14	36.00	30.00	16.00	7	37.25	24.00	REQ'D	---	V3630	33.00	27.00
CN4X6-423616	14	14	42.00	36.00	16.00	8	43.25	30.00	REQ'D	REQ'D	V4236	39.00	33.00
CN4X6-483616	14	14	48.00	36.00	16.00	8	49.25	30.00	REQ'D	REQ'D	V4836	45.00	33.00
CN4X6-603616	14	14	60.00	36.00	16.00	9	61.25	30.00	REQ'D	REQ'D	V6036	57.00	33.00
CN4X6-302420	14	14	30.00	24.00	20.00	5	31.25	18.00	---	---	V3024	27.00	21.00
CN4X6-363020	14	14	36.00	30.00	20.00	7	37.25	24.00	REQ'D	---	V3630	33.00	27.00
CN4X6-483620	14	14	48.00	36.00	20.00	8	49.25	30.00	REQ'D	REQ'D	V4836	45.00	33.00
CN4X6-603620	14	14	60.00	36.00	20.00	9	61.25	30.00	REQ'D	REQ'D	V6036	57.00	33.00
CN4X6-302424	14	14	30.00	24.00	20.00	5	31.25	18.00	---	---	V3024	27.00	21.00

Increased Safety

- NOTES**
1. For stainless steel 304 constructions, substitute CN4X6 (SS316L Prefix) with CN4X (SS304 Prefix).
  2. Gland plate options area available on enclosure < 12 inches deep, consult factory for gland plates on enclosures > 10 inches deep.

**Add the following suffixes for gland plates:**

- A: Gland plate installed on TOP side of box
- B: Gland plate installed on BOTTOM side of box
- C: Gland plate installed on LEFT side of box
- D: Gland plate installed on RIGHT side of box

*For multiple gland plates omit dashes. (i.e. CN4X6-161608-ABCD)*

# CN SERIES

## STAINLESS STEEL 316L

ENCLOSURE	Gauge Thickness		Box Dimensions			Clamps	Mtg. Center		Stiffener		Panel Cat No.	Panel Dimensions	
	Box	Door	A	B	C	#	F	G	Box	Door	optional	X	Y
CN4X6-161206	16	14	406.4	304.8	152.4	4	18.13	241.3	---	---	V1612	330.2	228.6
CN4X6-161606	16	14	406.4	406.4	152.4	4	18.13	254.0	---	---	V1616	330.2	330.2
CN4X6-162006	16	14	406.4	508.0	152.4	4	18.13	355.6	---	---	V2016	330.2	431.8
CN4X6-201606	16	14	508.0	406.4	152.4	4	22.13	254.0	---	---	V2016	431.8	330.2
CN4X6-202006	16	14	508.0	508.0	152.4	4	22.13	355.6	---	---	V2020	431.8	431.8
CN4X6-202406	16	14	508.0	609.6	152.4	4	22.13	457.2	---	---	V2420	431.8	533.4
CN4X6-241206	16	14	609.6	304.8	152.4	5	26.13	241.3	---	---	V2412	533.4	228.6
CN4X6-241606	16	14	609.6	406.4	152.4	5	26.13	254.0	---	---	V2416	533.4	330.2
CN4X6-242006	16	14	609.6	508.0	152.4	5	26.13	355.6	---	---	V2420	533.4	431.8
CN4X6-242406	16	14	609.6	609.6	152.4	5	26.13	457.2	---	---	V2424	533.4	533.4
CN4X6-302006	14	14	762.0	508.0	152.4	5	32.13	355.6	---	---	V3020	685.8	431.8
CN4X6-302406	14	14	762.0	609.6	152.4	5	32.13	457.2	---	---	V3024	685.8	533.4
CN4X6-362406	14	14	914.4	609.6	152.4	5	38.13	457.2	---	---	V3624	838.2	533.4
CN4X6-363006	14	14	914.4	762.0	152.4	7	38.13	609.6	REQ'D	---	V3630	838.2	685.8
CN4X6-161208	16	14	406.4	304.8	203.2	4	18.13	241.3	---	---	V1612	330.2	228.6
CN4X6-161608	16	14	406.4	406.4	203.2	4	18.13	254.0	---	---	V1616	330.2	330.2
CN4X6-162008	16	14	406.4	508.0	203.2	4	18.13	355.6	---	---	V2016	330.2	431.8
CN4X6-201608	16	14	508.0	406.4	203.2	4	22.13	254.0	---	---	V2016	431.8	330.2
CN4X6-202008	16	14	508.0	508.0	203.2	4	22.13	355.6	---	---	V2020	431.8	431.8
CN4X6-202408	16	14	508.0	609.6	203.2	4	22.13	457.2	---	---	V2420	431.8	533.4
CN4X6-241608	16	14	609.6	406.4	203.2	5	26.13	254.0	---	---	V2416	533.4	330.2
CN4X6-242008	14	14	609.6	508.0	203.2	5	26.13	355.6	---	---	V2420	533.4	431.8
CN4X6-242408	16	14	609.6	609.6	203.2	5	26.13	457.2	---	---	V2424	533.4	533.4
CN4X6-243008	14	14	609.6	762.0	203.2	7	26.13	609.6	---	---	V3024	533.4	685.8
CN4X6-302008	14	14	762.0	508.0	203.2	5	32.13	355.6	---	---	V3020	685.8	431.8
CN4X6-302408	14	14	762.0	609.6	203.2	5	32.13	457.2	---	---	V3024	685.8	533.4
CN4X6-303008	14	14	762.0	762.0	203.2	7	32.13	609.6	REQ'D	---	V3030	685.8	685.8
CN4X6-362408	14	14	914.4	609.6	203.2	5	38.13	457.2	---	---	V3624	838.2	533.4
CN4X6-363008	14	14	914.4	762.0	203.2	7	38.13	609.6	REQ'D	---	V3630	838.2	685.8
CN4X6-363608	14	14	914.4	914.4	203.2	7	38.13	762.0	REQ'D	REQ'D	V3636	838.2	838.2
CN4X6-423008	14	14	1066.8	762.0	203.2	8	44.13	609.6	REQ'D	REQ'D	V4230	990.6	685.8
CN4X6-423608	14	14	1066.8	914.4	203.2	8	44.13	762.0	REQ'D	REQ'D	V4236	990.6	838.2
CN4X6-483608	14	14	1219.2	914.4	203.2	8	50.13	762.0	REQ'D	REQ'D	V4836	1143.0	838.2
CN4X6-201610	14	14	508.0	406.4	254.0	4	22.13	254.0	---	---	V2016	431.8	330.2

METRIC

Increased Safety

- NOTES**
1. For stainless steel 304 constructions, substitute CN4X6 (SS316L Prefix) with CN4X (SS304 Prefix).
  2. Gland plate options area available on enclosure < 12 inches deep, consult factory for gland plates on enclosures > 10 inches deep.

**Add the following suffixes for gland plates:**

- A: Gland plate installed on TOP side of box
- B: Gland plate installed on BOTTOM side of box
- C: Gland plate installed on LEFT side of box
- D: Gland plate installed on RIGHT side of box

For multiple gland plates omit dashes. (i.e. CN4X6-161608-ABCD)

STAINLESS STEEL 316L

METRIC<sup>1</sup>

ENCLOSURE	Gauge Thickness		Box Dimensions			Clamps	Mtg. Center		Stiffener		Panel Cat No.	Panel Dimensions	
	Box	Door	A	B	C	#	F	G	Box	Door	optional	X	Y
CN4X6-202010	14	14	508.0	508.0	254.0	4	22.13	355.6	---	---	V2020	431.8	431.8
CN4X6-242010	14	14	609.6	508.0	254.0	5	26.13	355.6	---	---	V2420	533.4	431.8
CN4X6-242410	14	14	609.6	609.6	254.0	5	26.13	457.2	---	---	V2424	533.4	533.4
CN4X6-302410	14	14	762.0	609.6	254.0	5	32.13	457.2	---	---	V3024	685.8	533.4
CN4X6-362410	14	14	914.4	609.6	254.0	5	38.13	457.2	---	---	V3624	838.2	533.4
CN4X6-363010	14	14	914.4	762.0	254.0	7	38.13	609.6	REQ'D	---	V3630	838.2	685.8
CN4X6-423010	14	14	1066.8	762.0	254.0	8	44.13	609.6	REQ'D	REQ'D	V4230	990.6	685.8
CN4X6-423610	14	14	1066.8	914.4	254.0	8	44.13	762.0	REQ'D	REQ'D	V4236	990.6	838.2
CN4X6-483610	14	14	1219.2	914.4	254.0	8	50.13	762.0	REQ'D	REQ'D	V4836	1143.0	838.2
CN4X6-603610	14	14	1524.0	914.4	254.0	9	62.13	762.0	REQ'D	REQ'D	V6036	1447.8	838.2
CN4X6-201612	14	14	508.0	406.4	304.8	4	22.13	254.0	---	---	V2016	431.8	330.2
CN4X6-242012	14	14	609.6	508.0	304.8	5	26.13	355.6	---	---	V2420	533.4	431.8
CN4X6-242412	14	14	609.6	609.6	304.8	5	26.13	457.2	---	---	V2424	533.4	533.4
CN4X6-302412	14	14	762.0	609.6	304.8	5	32.13	457.2	---	---	V3024	685.8	533.4
CN4X6-303012	14	14	762.0	762.0	304.8	7	32.13	609.6	REQ'D	---	V3030	685.8	685.8
CN4X6-362412	14	14	914.4	609.6	304.8	5	38.13	457.2	---	---	V3624	838.2	533.4
CN4X6-363012	14	14	914.4	762.0	304.8	7	38.13	609.6	REQ'D	---	V3630	838.2	685.8
CN4X6-363612	14	14	914.4	914.4	304.8	7	38.13	762.0	REQ'D	REQ'D	V3636	838.2	838.2
CN4X6-423012	14	14	1066.8	762.0	304.8	8	44.13	609.6	REQ'D	REQ'D	V4230	990.6	685.8
CN4X6-423612	14	14	1066.8	914.4	304.8	8	44.13	762.0	REQ'D	REQ'D	V4236	990.6	838.2
CN4X6-483612	14	14	1219.2	914.4	304.8	8	50.13	762.0	REQ'D	REQ'D	V4836	1143.0	838.2
CN4X6-603612	14	14	1524.0	914.4	304.8	9	62.13	762.0	REQ'D	REQ'D	V6036	1447.8	838.2
CN4X6-242016	14	14	609.6	508.0	406.4	5	26.13	355.6	---	---	V2420	533.4	431.8
CN4X6-242416	14	14	609.6	609.6	406.4	5	26.13	457.2	---	---	V2424	533.4	533.4
CN4X6-302416	14	14	762.0	609.6	406.4	5	32.13	457.2	---	---	V3024	685.8	533.4
CN4X6-363016	14	14	914.4	762.0	406.4	7	38.13	609.6	REQ'D	---	V3630	838.2	685.8
CN4X6-423616	14	14	1066.8	914.4	406.4	8	44.13	762.0	REQ'D	REQ'D	V4236	990.6	838.2
CN4X6-483616	14	14	1219.2	914.4	406.4	8	50.13	762.0	REQ'D	REQ'D	V4836	1143.0	838.2
CN4X6-603616	14	14	1524.0	914.4	406.4	9	62.13	762.0	REQ'D	REQ'D	V6036	1447.8	838.2
CN4X6-302420	14	14	762.0	609.6	508.0	5	32.13	457.2	---	---	V3024	685.8	533.4
CN4X6-363020	14	14	914.4	762.0	508.0	7	38.13	609.6	REQ'D	---	V3630	838.2	685.8
CN4X6-483620	14	14	1219.2	914.4	508.0	8	50.13	762.0	REQ'D	REQ'D	V4836	1143.0	838.2
CN4X6-603620	14	14	1524.0	914.4	508.0	9	62.13	762.0	REQ'D	REQ'D	V6036	1447.8	838.2
CN4X6-302424	14	14	762.0	609.6	508.0	5	32.13	457.2	---	---	V3024	685.8	533.4

Increased Safety

- NOTES**
1. For stainless steel 304 constructions, substitute CN4X6 (SS316L Prefix) with CN4X (SS304 Prefix).
  2. Gland plate options area available on enclosure < 12 inches deep, consult factory for gland plates on enclosures > 10 inches deep.

**Add the following suffixes for gland plates:**

- A: Gland plate installed on TOP side of box
- B: Gland plate installed on BOTTOM side of box
- C: Gland plate installed on LEFT side of box
- D: Gland plate installed on RIGHT side of box



For multiple gland plates omit dashes. (i.e. CN4X6-161608-ABCD)



# CN SERIES

## Selector Switches

### CERTIFICATIONS

Class I, Division 2, Groups A, B, C, D  
 Class II, Groups E, F, G (Canada Only)  
 Class I, Zone 1, AEx de IIC T6 -55° C ≤ Ta ≤ +60° C  
 Ex de IIC T6 X -55° C ≤ Ta ≤ +60° C  
 IECEx Ex de IIC Gb -55° C ≤ Ta ≤ +60° C  
 IECEx UL.09.0002U  
 0539  II 2 G Ex e II T6 (T5: Ta ≤ +55° C) (T4: Ta ≤ +70° C)  
 0539  II 2 D Ex tD A21 IP66 T200° C  
 IECEx Ex tb IIIC Db IP66  
 DIP  
 DIP A21 T<sub>A</sub> T6

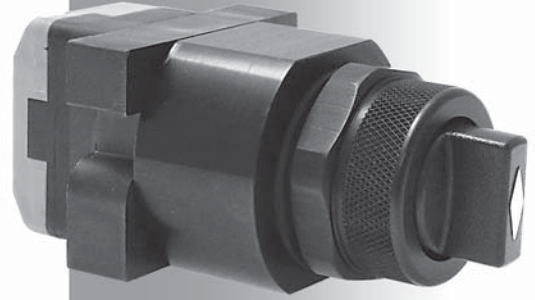


### SELECTOR SWITCH

Cat #	Cam	# Pos.	Type
EHSS	1	2	2 POSITION
EHSS	2-6	3	3 POSITION
EHSC	2-6	3	Spring return center from right and left
EHSR2	1	2	Spring return to left from right
EHSR	2-6	3	Spring return center from right, maintain left
EHSL2	1	2	Spring return to right from left
EHSL	2-6	3	Spring return center from left, maintain right

### KEYED SELECTOR SWITCH

Cat #	Cam	# Pos.	Type
EHKSS	1	2	2 POSITION
EHKSS	2-6	3	3 POSITION
EHKSC	2-6	3	Spring return center from right and left
EHKSR2	1	2	Spring return to left from right
EHKSR	2-6	3	Spring return center from right, maintain left
EHKSL2	1	2	Spring return to right from left
EHKSL	2-6	3	Spring return center from left, maintain right



### CONTACT SEQUENCE CHART

Circuit of Contact Block	Mounting Position	Cam 1 Contact Sequence	Cam 2 Contact Sequence	Cam 3 Contact Sequence	Cam 4 Contact Sequence	Cam 5 Contact Sequence	Cam 6 Contact Sequence
O = Contact Open X = Contact Closed							
Normally Closed (NC)	A	X O	XX O	XX O	X O X	O O X	O O X
Normally Open (NO)	A	O X	O O X	O O X	O X O	X X O	O X O
Normally Closed (NC)	B	X O	O X O	O X X	X O O	O X X	X O O
Normally Open (NO)	B	O X	X O X	X O O	O X X	X O O	O O X

Increased Safety





## Pilot Lights

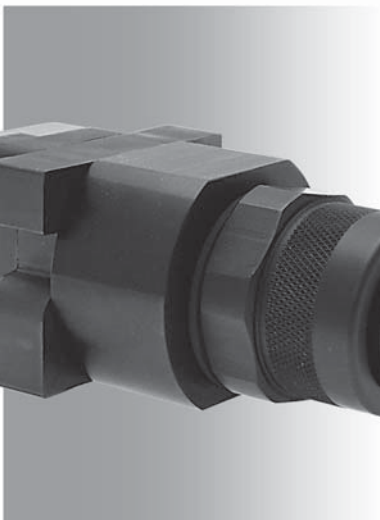
### CERTIFICATIONS

Class I, Division 2, Groups A, B, C, D  
 Class II, Groups E, F, G (Canada Only)  
 Type 4, 4X, 12, 13  
 Class I, Zone 1, AEx de IIC T6 -55° C ≤ Ta ≤ +60° C  
 Ex de IIC T6 X -55° C ≤ Ta ≤ +60° C  
 IECEx Ex mb IIC -55° C ≤ Ta ≤ +60° C  
 IECEx Ex tD A21 IP66 T125° C  
 IECEx UL.09.0003U  
 0539 II 2 G Ex mb IIC -55° C ≤ Ta ≤ +60° C  
 0539 II 2 D Ex tD A21 IP66 T125° C  
 IECEx Ex tb IIIC Db IP66  
 DEMKO 09 ATEX 146638U

DIP  
 DIP A21 T<sub>A</sub> T6



PILOT LIGHTS			
8" Flexible Leads Cat #	Terminal Board Cat #	Color	Voltage
ELA120	ELAT120	AMBER	120
ELG120	ELGT120	GREEN	120
ELR120	ELRT120	RED	120
ELW120	ELWT120	WHITE	120
ELA12	ELAT12	AMBER	12
ELG12	ELGT12	GREEN	12
ELR12	ELRT12	RED	12
ELW12	ELWT12	WHITE	12
ELA24	ELAT24	AMBER	24
ELG24	ELGT24	GREEN	24
ELR24	ELRT24	RED	24



## Pushbuttons

### CERTIFICATIONS

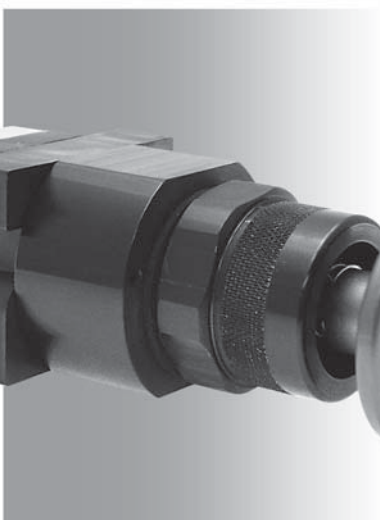
Class I, Division 2, Groups A, B, C, D  
 Class II, Groups E, F, G (Canada Only)  
 Class I, Zone 1, AEx de IIC T6 -55° C ≤ Ta ≤ +60° C  
 Ex de IIC T6 X -55° C ≤ Ta ≤ +60° C  
 IECEx Ex de IIC Gb -55° C ≤ Ta ≤ +60° C  
 IECEx UL.09.0002U  
 0539 II 2 G Ex e II T6 (T5: Ta ≤ +55° C) (T4: Ta ≤ +70° C)  
 0539 II 2 D Ex tD A21 IP66 T200° C

IECEx Ex tb IIIC Db IP66  
 DIP  
 DIP A21 T<sub>A</sub> T6



PUSHBUTTON		
Cat #	Cap Color	Button Color
EHPB	BLACK	BLACK
EHPB	BLACK	GREEN
EHPB	BLACK	RED


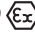
MUSHROOM HEAD PUSHBUTTON		
Cat #	Cap Color	Style
EHPBM	RED	MOMENTARY
EHPBM	BLACK	MOMENTARY
EHPBM	RED	PUSH/PULL



Increased Safety

## Illuminated Pushbutton Operators with Contact Block

### Certifications

Class I, Division 2, Groups A, B, C, D  
 Class II, Groups EFG (Canada Only)  
 Type 4, 4X, 12, 13  
 Class I, Zone 1 AEx d e mb IIC T6 -55° C ≤ Tamb ≤ +60° C  
 Ex d e mb IIC -55° C ≤ Tamb ≤ +60° C (Canada)  
 DIP  
 DIP A21 T<sub>A</sub> T6 X  
 IECEx UL 11.0013U  
 IECEx Ex d e mb IIC -55° C ≤ Tamb ≤ +60° C  
 IECEx Ex tD A21 IP66  
 DEMKO 11 ATEX 1005210U  
 0539  II 2 G Ex d e mb IIC -55° C ≤ Tamb ≤ +60° C  
 0539  II 2 D Ex tD A21 IP66



Increased Safety

ILLUMINATED PUSH BUTTON OPERATORS WITH CONTACT BLOCK					
CATALOG#	COLOR	VOLTAGE AC/DC	WATTS	LAMP NO.	SHAFT SUB ASSY
ELPA120	AMBER	120	1.50	8095-1A	8094-A
ELPG120	GREEN	120	1.50	8095-1G	8094-G
ELPR120	RED	120	1.50	8095-1R	8094-R
ELPW120	WHITE	120	1.50	8095-1W	8094-W
ELPA12	AMBER	12	.30	8095-3A	8094-A12
ELPG12	GREEN	12	.30	8095-3G	8094-G12
ELPR12	RED	12	.30	8095-3R	8094-R12
ELPW12	WHITE	12	.30	8095-3W	8094-W12
ELPA24	AMBER	24	.60	8095-2A	8094-A24
ELPG24	GREEN	24	.60	8095-2G	8094-G24
ELPR24	RED	24	.60	8095-2R	8094-R24
ELPW24	WHITE	24	.60	8095-2W	8094-W24

# Pushbutton Station Enclosures

## Standard Features

- 10 standard sizes with 4" or 6" depth
- Hole configurations from 1 to 16 holes
- Vertical in-line configurations from 1 to 4 holes
- Watertight gasket provides ingress protection against water and dust
- Welded on external mounting brackets
- Captive hex head / slotted cover bolts
- Drilled cover entries for 30.5mm operators
- External ground stud
- Box and cover ground stud

## Design Options

- Mounting panels or universal rail mount system
- Drilled entries and cut-outs
- Stopping plugs
- Gland plates on 6" deep enclosures
- Adalet increased safety operators
- Terminal block assemblies
- Legend plates
- Breather or drain
- Internal Earth bar

## Material

- Type 316L Stainless Steel
- Enclosure and cover constructed from 14 gauge (.075) stainless steel with #3/4 brush finish
- Gland plates constructed from 10 gauge (.1345) stainless steel with #3/4 brush finish
- Silicone gasket constructed from 1/4" Bisco silicone with acrylic PSA
- Gland plate gasket constructed from 1/8" Bisco silicone with acrylic PSA

## Certifications

Class I, Division 2, Groups A, B, C, D

Class II, Division 2, Groups F, G

Class I, Zone 1, AEx d e mb IIC T6 (T5:Ta $\leq$ +55° C)

Type 4X

Ex d e mb IIC T6X (T5:Ta $\leq$ +55° C) (Canada)

IECEx UL 09.0024X

Ex d e mb IIC T6 (T5:Ta $\leq$ +55° C)

Ex tD A21 IP66 T200° C)

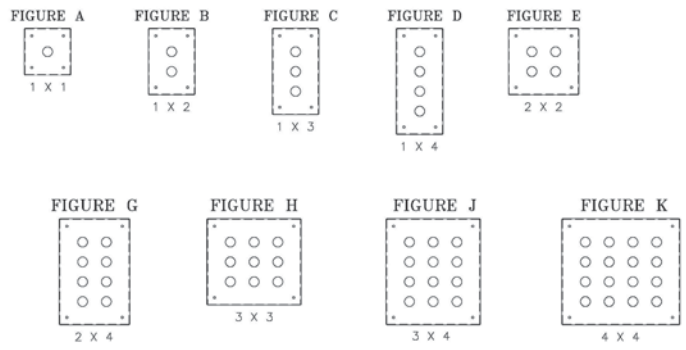
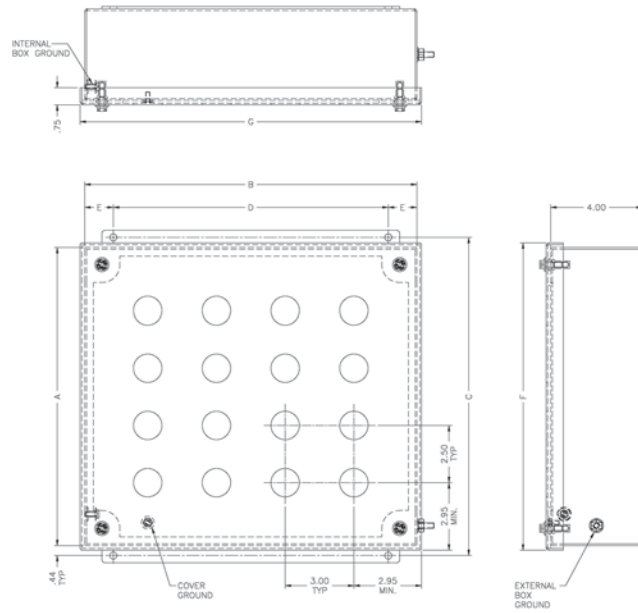
DEMKO 01 ATEX 130438X

CE 0539 II 2 G Ex d e mb IIC T6 (T5: Ta<+55° C)

CE 0539 II 2 D Ex tD A21 IP66 T200° C



# CSC4X6 SERIES



		ENCLOSURE DIMEN-							
ENCLOSURE CATALOG		A	B	C	D	E	F		
CSC4X6-050504 (1x1)	1	A	5.50	5.50	6.25	4.00	0.75	5.90	5.90
CSC4X6-050506 (1x1 w/ Terminal Blocks)	1	A	5.50	5.50	6.25	4.00	0.75	5.90	5.90
CSC4X6-080504 (1x2)	2	B	8.00	5.50	8.75	4.00	0.75	8.40	5.90
CSC4X6-080506 (1x2 w/ Terminal Blocks)	2	B	8.00	5.50	8.75	4.00	0.75	8.40	5.90
CSC4X6-100504 (1x3)	3	C	10.50	5.50	11.25	4.00	0.75	10.90	5.90
CSC4X6-100506 (1x3 w/ Terminal Blocks)	3	C	10.50	5.50	11.25	4.00	0.75	10.90	5.90
CSC4X6-130504 (1x4)	4	D	13.00	5.50	13.75	4.00	0.75	13.40	5.90
CSC4X6-130506 (1x4 w/ Terminal Blocks)	4	D	13.00	5.50	13.75	4.00	0.75	13.40	5.90
CSC4X6-080804 (2x2)	4	E	8.00	8.50	8.75	6.00	1.25	8.40	8.90
CSC4X6-080806 (2x2 w/ Terminal Blocks)	4	E	8.00	8.50	8.75	6.00	1.25	8.40	8.90
CSC4X6-100804 (2x3)	6	F	10.50	8.50	11.25	6.00	1.25	10.90	8.90
CSC4X6-100806 (2x3 w/ Terminal Blocks)	6	F	10.50	8.50	11.25	6.00	1.25	10.90	8.90
CSC4X6-130804 (2x4)	8	G	13.00	11.50	13.75	6.00	1.25	13.40	8.90
CSC4X6-130806 (2x4 w/ Terminal Blocks)	8	G	13.00	11.50	13.75	6.00	1.25	13.40	8.90
CSC4X6-101104 (3x3)	9	H	10.50	11.50	11.25	10.00	0.75	10.90	11.90
CSC4X6-101106 (3x3 w/ Terminal Blocks)	9	H	10.50	11.50	11.25	10.00	0.75	10.90	11.90
CSC4X6-131104 (3x4)	12	J	13.00	11.50	13.75	10.00	0.75	13.40	11.90
CSC4X6-131106 (3x4 w/ Terminal Blocks)	12	J	13.00	11.50	13.75	10.00	0.75	13.40	11.90
CSC4X6-131404 (4x4)	16	K	13.00	14.50	13.75	12.00	1.25	13.40	14.90
CSC4X6-131406 (4x4 w/ Terminal Blocks)	16	K	13.00	14.50	13.75	12.00	1.25	13.40	14.90

Increased Safety

# Clamped Cover High Voltage Enclosures



Continuous Piano Type Hinge

Available in Stainless Steel  
304 or 316L

## STANDARD FEATURES

- 31 standard sizes available in 1 x 1 or 2 x 2 connection options
- Stainless steel cover clamps and screws
- Continuous piano hinge with removable steel pin
- Watertight silicone gasket
- Set of three porcelain insulators mechanical connector provided for 2 x 2 configuration
- Adjustable mounting plate (1 x 1 and 2 x 2)
- Adjustable clamp rails (1 x 1 and 2 x 2)
- Padlock hasp and staple
- Internal rail mounting system
- Ground stud on box and cover

## DESIGN OPTIONS

- Gland plates (6" or greater) can be supplied pre-drilled or blank for field drilling
- Drilled entries and cut-outs
- UHWM-PE cable clamps
- Breather / Drain
- Stopping plugs
- Cable glands and conduit fittings
- Custom sizes

## CONSTRUCTION MATERIAL

- Type 304 or 316L stainless steel
- Enclosure and cover constructed from 14 gauge (.075 stainless steel with #3/4 brush finish
- Gland plates constructed from 10 gauge (.1345) stainless steel with #3/4 brush finish
- Silicone gasket constructed from 1/4" Bisco silicone with acrylic PSA
- Gland plate gasket constructed from 1/8" Bisco silicone with acrylic PSA

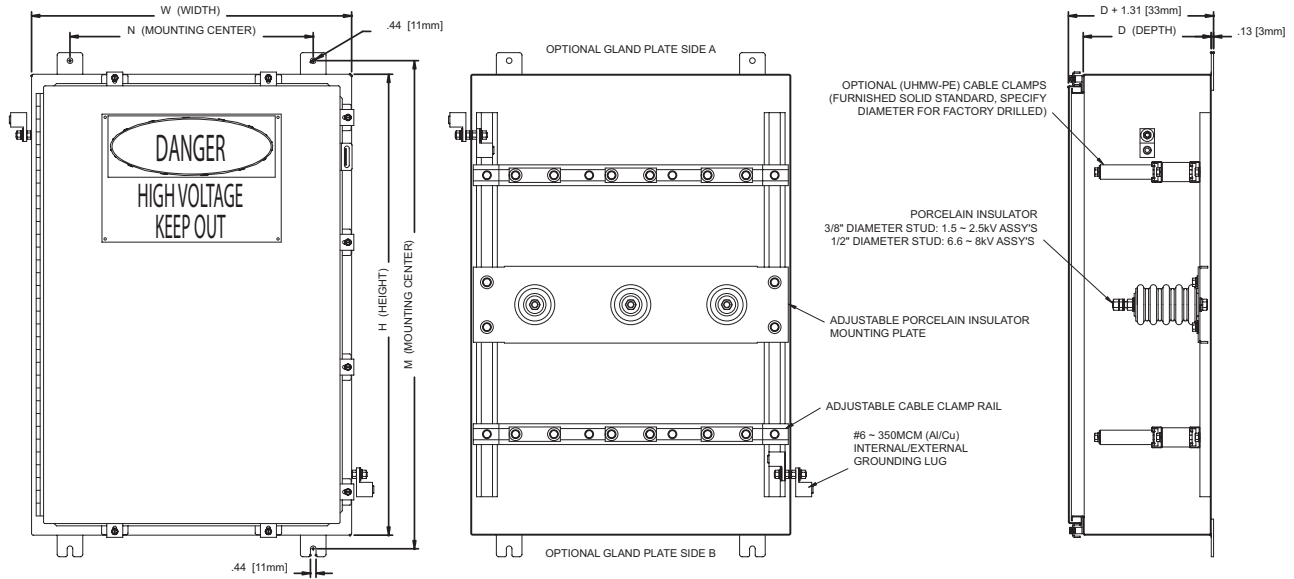
## CERTIFICATIONS

Class I, Division 2, Groups A, B, C, D  
 Class II, Division 2, Groups F, G  
 Class I, Zone 1, AEx II T6 Tamb -20° C ≤ Ta ≤ +55° C  
 Ex e II T6X -20° C ≤ Ta ≤ +55° C (Canada)  
 DEMKO 01 ATEX 130437X  
 CE 0539 II 2 G Ex e II T6 -20° C < Ta < +55° C  
 CE 0539 II 2 D Ex tD A21 IP66 T200° C  
 IECEx UL 09.0021X  
 Ex e II T6 -20° C ≤ Ta ≤ +55° C  
 Ex tD A21 IP66 T200° C  
 Type 4, 4X, 12 & 13



# HV SERIES

## 1 x 1 Connection Series



Increased Safety

ENCLOSURE					VOLTAGE		AMPERAGE	
	H	W	D	M	N	MAX	MAX	
HV4X6-241206	24.00	12.00	6.00	26.13	9.50	1.5kV	315	
HV4X6-242006	24.00	20.00	6.00	26.13	14.00	1.5kV	315	
HV4X6-201206	20.00	12.00	6.00	22.13	9.50	2.5kV	250	
HV4X6-161606	16.00	16.00	6.00	18.13	10.00	2.5kV	200	
HV4X6-241606	24.00	16.00	6.00	26.13	10.00	2.5kV	315	
HV4X6-301606	30.00	16.00	6.00	32.13	10.00	2.5kV	400	
HV4X6-202006	20.00	20.00	6.00	22.13	14.00	2.5kV	250	
HV4X6-201407	20.00	14.00	7.00	22.13	8.00	2.5kV	250	
HV4X6-251807	25.00	18.00	7.00	27.13	12.00	2.5kV	315	
HV4X6-302207	30.00	22.00	7.00	32.13	16.00	2.5kV	400	
HV4X6-362507	36.00	25.00	7.00	38.13	19.00	2.5kV	400	
HV4X6-201610	20.00	16.00	10.00	22.13	10.00	6.6kV	250	
HV4X6-302010	30.00	20.00	10.00	32.13	14.00	8kV	400	
HV4X6-242010	24.00	20.00	10.00	26.13	14.00	8kV	315	
HV4X6-302410	30.00	24.00	10.00	32.13	18.00	8kV	400	
HV4X6-242410	24.00	24.00	10.00	25.25	18.00	8kV	315	
HV4X6-362410	36.00	24.00	10.00	38.13	18.00	8kV	400	
HV4X6-362510	36.00	25.00	10.00	38.13	19.00	8kV	400	
HV4X6-603610	60.00	36.00	10.00	62.13	30.00	8kV	400	
HV4X6-603616	60.00	36.00	16.00	62.13	30.00	8kV		

MIN CONDUCTOR SIZE		AMPERAGE
mm <sup>2</sup>	AWG/MCM	MAX
10	8	50
16	6	80
25	4	100
35	2	125
50	1/0	160
70	2/0	200
95	3/0	225
150	250	250
185	350	315
240	400	400

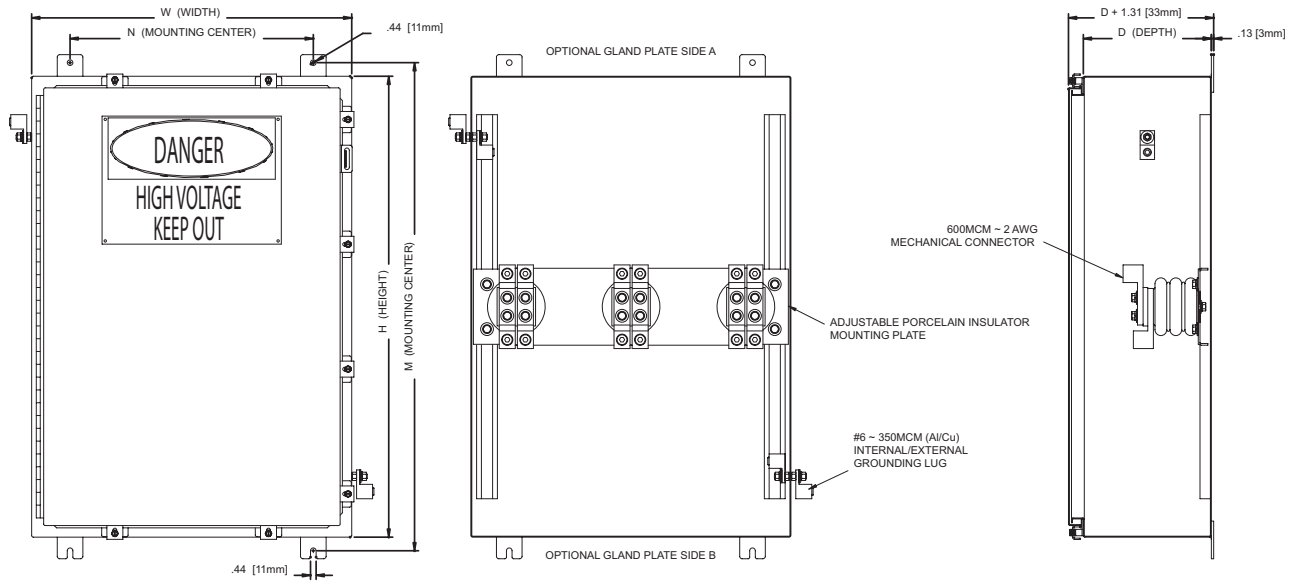
- NOTES**
- For stainless steel 304 assemblies substitute HV4X6- prefix with HV4X- prefix.
  - Please specify working voltage, amperage and conductor size when requesting quote.
  - For conduit/cable entry spacing, wire bending and wire conversion guidelines, refer to inside back cover of this catalog.
  - Gland plate options are available on the top and bottom sides of the box.

**Add the following suffixes for gland plates:**

- A: Gland plate installed on TOP side of box
- B: Gland plate installed on BOTTOM side of box

For multiple gland plates omit dashes.

## 2 x 2 Connection Series



ENCLOSURE	H	W	D	M	N	VOLTAGE	MAX AMPERAGE T6 RATING		MAX AMPERAGE T5 RATING	
						MAX	Phase	Ea. Conductor	Phase	Ea. Conductor
HV4X6-202008	20.00	20.00	8.00	22.13	14.00	1.1kV	500	250	500	250
HV4X6-242008	24.00	20.00	8.00	26.13	14.00	1.1kV	630	315	630	315
HV4X6-242408	24.00	24.00	8.00	26.13	18.00	1.1kV	630	315	630	315
HV4X6-202010	20.00	20.00	10.00	22.13	14.00	1.1kV	500	250	500	250
HV4X6-242010	24.00	20.00	10.00	26.13	14.00	1.1kV	630	315	630	315
HV4X6-302010	30.00	20.00	10.00	32.13	14.00	1.1kV	650	325	800	400
HV4X6-242410	24.00	24.00	10.00	26.13	18.00	1.1kV	630	315	630	315
HV4X6-302410	30.00	24.00	10.00	32.13	18.00	1.1kV	650	325	800	400
HV4X6-362410	36.00	24.00	10.00	38.13	18.00	1.1kV	650	325	800	400
HV4X6-362510	36.00	25.00	10.00	38.13	19.00	1.1kV	650	325	1000	500
HV4X6-603610	60.00	36.00	10.00	62.13	30.00	1.1kV	650	325	1000	500

MIN CONDUCTOR SIZE		AMPERAGE
mm <sup>2</sup>	AWG/MCM	MAX
35	2	125
50	1/0	160
70	2/0	200
95	3/0	225
150	250	250
185	350	315
240	400	400

- NOTES**
1. For stainless steel 304 assemblies substitute HV4X6- prefix with HV4X-prefix.
  2. Please specify working voltage, amperage and conductor size when requesting quote.
  3. For conduit/cable entry spacing, wire bending and wire conversion guidelines, refer to inside back cover of this catalog.
  4. Gland plate options are available on the top and bottom sides of the box.

**Add the following suffixes for gland plates:**

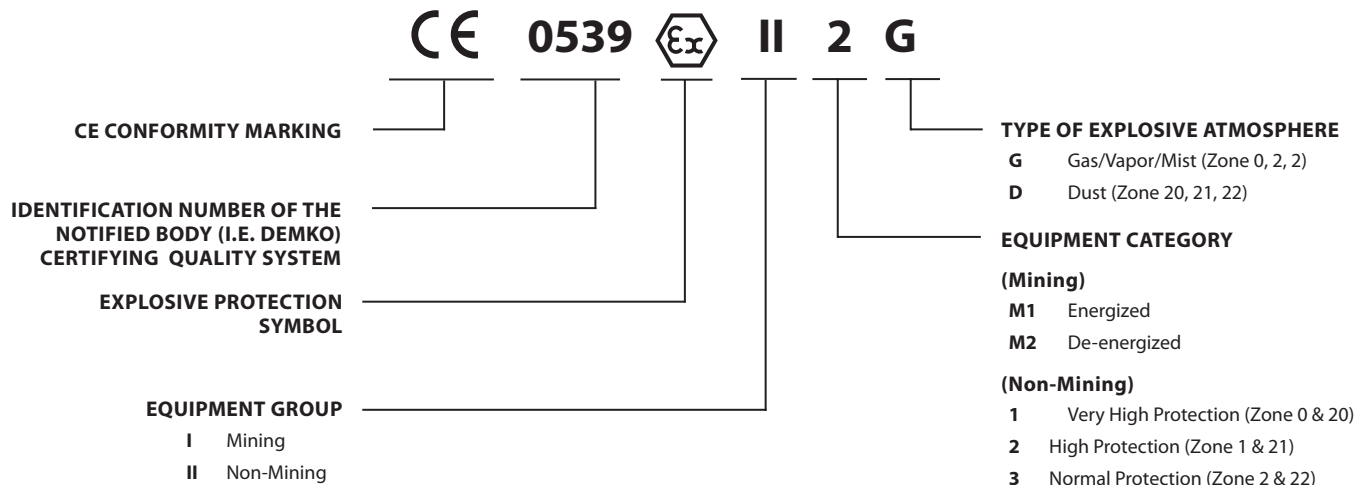
- A: Gland plate installed on TOP side of box
- B: Gland plate installed on BOTTOM side of box

For multiple gland plates omit dashes.

Increased Safety

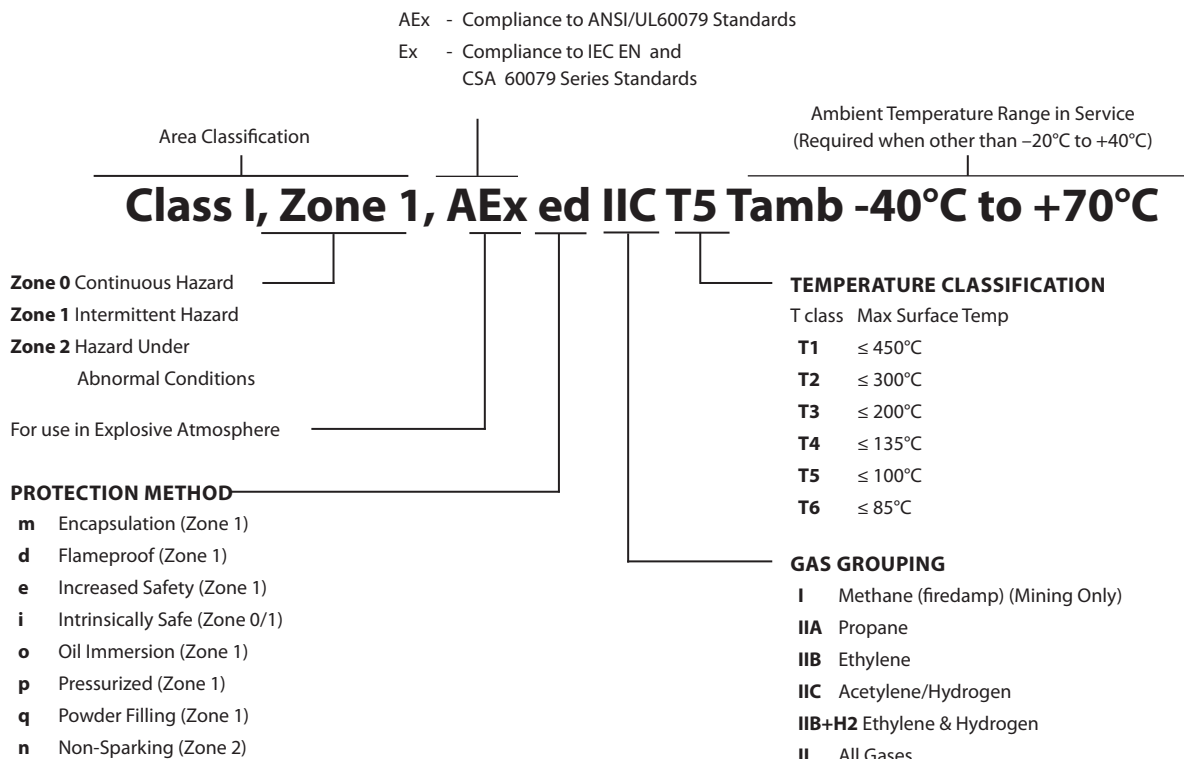
## Equipment Marking

### ATEX Directive



Increased Safety

### NEC 505, CEC Sec.18, IEC, CENELEC



**NOTE:** Protection concepts listed alphabetically

See Conditions of Use in certificate to determine suitability of component or equipment selection



# TECHNICAL DATA

## METHODS OF PROTECTION

Protection Method	Permitted Use	Certification Documents	
		UL	CSA
Explosionproof	Division 1	ANSI/UL 1203	C22.2 No. 30
Intrinsically Safe (2 Fault)	Division 1	ANSI/UL 913	C22.2 No. 157
Purge/Pressurized (Type X or Y)	Division 1	ANSI/NFPA 496	ANSI/NFPA 496
Nonincendive	Division 2	ISA 12.12.01	C22.2 No. 213
Non-sparking device	Division 2	ISA 12.12.01	C22.2 No. 213
Purge/Pressurized (Type Z)	Division 2	ANSI/NFPA 496	ANSI/NFPA 496
Hermetically sealed	Division 2	ISA 12.12.01	C22.2 No. 213
Any Class I, Division 1 Method	Division 2	--	--

Protection Method	Permitted Use	ATEX Equipment Category	Certification Documents			
			UL (AEx)	CSA (Ex)	CENELEC (Ex)	IEC (Ex)
Intrinsically Safe 'ia' (2 Fault)	Zone 0	M1 & 1	ANSI/UL 60079-11	CAN/CSA-E60079-11	EN 60079-11 & -25	IEC 60 079-11
Flameproof 'd'	Zone 1	M2 & 2	ANSI/UL 60079-1	C22.2 No. 60079-1	EN 60079-1	IEC 60 079-1
Increased Safety 'e'	Zone 1	M2 & 2	ANSI/UL 60079-7	CAN/CSA-E60079-7	EN 60079-7	IEC 60 079-7
Intrinsically Safe 'ib' (1 Fault)	Zone 1	M2 & 2	ANSI/UL 60079-11	CAN/CSA-E60079-11	EN 60079-11 & -25	IEC 60 079-11
Encapsulation 'm'	Zone 1	2	ANSI/UL 60079-18	CAN/CSA-E79-18	EN 60079-18	IEC 60 079-18
Oil Immersion 'o'	Zone 1	2	ANSI/UL 60079-6	CAN/CSA-E60079-6	EN 60079-6	IEC 60 079-6
Purged/Pressurized 'p'	Zone 1	2	ANSI/NFPA 496	CAN/CSA-E60079-2	EN 60079-2	IEC 60 079-2
Powder filling 'q'	Zone 1	2	ANSI/UL 60079-5	CAN/CSA-E60079-5	EN 60079-5	IEC 60 079-5
Any Zone 0 Method	Zone 1	--	--	--	--	--
Non-sparking 'nA'	Zone 2	3	ANSI/UL 60079-15	CAN/CSA-E60079-15	EN 60079-15	IEC 60 079-15
Hermetically sealed 'nC'	Zone 2	3	ANSI/UL 60079-15	CAN/CSA-E60079-15	EN 60079-15	IEC 60 079-15
Nonincendive 'nC'	Zone 2	3	ANSI/UL 60079-15	CAN/CSA-E60079-15	EN 60079-15	IEC 60 079-15
Restricted breathing 'nR'	Zone 2	3	ANSI/UL 60079-15	CAN/CSA-E60079-15	EN 60079-15	IEC 60 079-15
Any Zone 0 or 1 Method	Zone 2	--	--	--	--	--

Increased Safety

## ATEX EQUIPMENT CLASSIFICATIONS

Equipment Group	Equipment Category	Atmosphere	Level of Protection	Required Protection
I	M1	Methane & Dust	Very High	Two faults, remain energized and functioning
I	M2		High	Severe normal operations, de-energize in explosive atmosphere
II	1	Gas, Vapors, Mist & Dust	Very High	Two faults, remain energized and functioning
II	2		High	One fault
II	3		Low	Normal operation

## AREA CLASSIFICATIONS

NEC 500	Class I	Potentially explosive gas or vapor
	Class II	Potentially explosive dust
	Class III	Potentially explosive fiber
	Division 1	Potentially explosive substance present under normal operating conditions
	Division 2	Potentially explosive substance present under abnormal operating conditions
NEC 505, IEC, Europe	Zone 0	Explosive gas present continuously
	Zone 1	Explosive gas present occasionally under normal operating conditions
	Zone 2	Explosive gas present for short period
	Zone 20	Explosive dust present continuously
	Zone 21	Explosive dust present occasionally under normal operating conditions
	Zone 22	Explosive dust present for short period

# TECHNICAL DATA

## INGRESS PROTECTION (IP XX) CODES - IEC60529

Digit Protection Against Solid Bodies	Second Digit	Protection Against Liquids	
0	No protection	0	No protection
1	Objects > 50mm	1	Vertically dripping water
2	Objects > 12mm	2	75-90 Deg. dripping water
3	Objects > 2.5mm	3	Sprayed water
4	Object > 1mm	4	Splashed water
5	Dust Protected	5	Water jets
6	Dust-tight	6	Heavy seas
7	--	7	Effects of immersion
8	--	8	Indefinite immersion

## ATMOSPHERE GROUPS

Gas, Dust, Fiber	NEC 505, IEC, Europe	NEC 500
Acetylene	Group IIC	Group A
Hydrogen	Group IIC (IIB+H2)	Group B
Ethylene	Group IIB	Group C
Propane	Group IIA	Group D
Methane	Group I (firedamp)	Group D
Metal Dust	None	Group E
Coal Dust	None	Group F
Grain Dust	None	Group G
Fibers	None	None

## NEMA TYPE DESIGNATIONS

Enclosure Type	Intended Use and Description
1	Indoor use primarily to provide a degree of protection against limited amounts of falling dirt.
2	Indoor use primarily to provide a degree of protection against limited amounts of falling water and dirt.
3	Outdoor use primarily to provide a degree of protection against rain, sleet, wind blown dust and damage from external ice formation.
3R	Outdoor use primarily to provide a degree of protection against rain, sleet, and damage from external ice formation.
3S	Outdoor use primarily to provide a degree of protection against rain, sleet, windblown dust and to provide for operation of external mechanisms when ice laden.
4	Indoor or outdoor use primarily to provide a degree of protection against windblown dust and rain, splashing water, hose-directed water and damage from external ice formation.
4X	Indoor or outdoor use primarily to provide a degree of protection against corrosion, windblown dust and rain, splashing water, hose-directed water, and damage from external ice formation.
5	Indoor use primarily to provide a degree of protection against settling airborne dust, falling dirt, and dripping noncorrosive liquids.
6	Indoor or outdoor use primarily to provide a degree of protection against hose-directed water, and the entry of water during occasional temporary submersion at limited depth and damage from external ice formation.
6P	Indoor or outdoor use primarily to provide a degree of protection against hose-directed water, the entry of water during prolonged submersion at a limited depth and damage from external ice formation.
7	Indoor use in locations classified as Class I, Division 1, Groups A, B, C or D hazardous locations as defined in the National Electric Code (NFPA 70) (Commonly referred to as explosion-proof).
8	Indoor or outdoor use in locations classified as Class I, Division 2, Groups A, B, C or D hazardous locations as defined in the National Electric Code (NFPA 70) (commonly referred to as oil immersed).
9	Indoor use in locations classified as Class II, Division 1, Groups E, F and G hazardous locations as defined in the National Electric Code (NFPA 70) (commonly referred to as dust-ignition proof).
10	Intended to meet the applicable requirements of the Mine Safety and Health Administration (MSHA).
12 and 12K	Indoor use primarily to provide a degree of protection against circulating dust, falling dirt, and dripping noncorrosive liquids.
13	Indoor use primarily to provide a degree of protection against dust, spraying of water, oil, and noncorrosive coolant

## TEMPERATURE CLASSES

Maximum Surface Temperature	NEC 505, IEC, Europe	NEC 500
450° C	T1	T1
300° C	T2	T2
280° C	---	T2A
260° C	---	T2B
230° C	---	T2C
215° C	---	T2D
200° C	T3	T3
180° C	---	T3A
165° C	---	T3B
160° C	---	T3C
135° C	T4	T4
120° C	---	T4A
100° C	T5	T5
85° C	T6	T6

Increased Safety

### MINIMUM SPACING BETWEEN CENTERS OF CONDUIT OR CABLE ENTRIES

NPT [metric]	3 [M75]	2-1/2 [M63]	2 [M50]	1-1/2 [M40]	1-1/4 [M32]	1 [M25]	3/4 [M20]	1/2 [M16]
1/2 [M16]	3 [77mm]	2-5/8 [68mm]	2-3/8 [61mm]	2 [51mm]	1-7/8 [48mm]	1-5/8 [42mm]	1-3/8 [35mm]	1-1/4 [32mm]
3/4 [M20]	3-1/8 [80mm]	2-3/4 [70mm]	2-1/2 [64mm]	2-1/8 [54mm]	2 [51mm]	1-3/4 [45mm]	1-1/2 [38mm]	1-3/8 [35mm]
1 [M25]	3-1/4 [83mm]	2-7/8 [74mm]	2-3/4 [70mm]	2-1/4 [58mm]	2-1/8 [54mm]	1-7/8 [48mm]	1-3/4 [45mm]	1-5/8 [42mm]
1-1/4 [M32]	3-1/2 [89mm]	3-1/8 [80mm]	2-7/8 [74mm]	2-1/2 [64mm]	2-3/8 [61mm]	2-1/8 [54mm]	2 [51mm]	1-7/8 [48mm]
1-1/2 [M40]	3-5/8 [92mm]	3-1/4 [83mm]	3 [77mm]	2-5/8 [68mm]	2-1/2 [64mm]	2-1/4 [58mm]	2-1/8 [54mm]	2 [51mm]
2 [M50]	3-5/8 [92mm]	3-5/8 [92mm]	3-3/8 [86mm]	3 [77mm]	2-7/8 [74mm]	2-3/4 [70mm]	2-1/2 [64mm]	2-3/8 [61mm]
2-1/2 [M63]	3-5/8 [92mm]	3-7/8 [99mm]	3-5/8 [92mm]	3-1/4 [83mm]	3-1/8 [80mm]	2-7/8 [74mm]	2-3/4 [70mm]	2-5/8 [68mm]
3 [M75]	4-5/8 [118mm]	3-5/8 [92mm]	3-5/8 [92mm]	3-5/8 [92mm]	3-1/2 [89mm]	3-1/4 [83mm]	3-1/8 [80mm]	3 [77mm]

### MINIMUM DISTANCE FROM CONDUIT/CABLE CENTER TO EDGE OF BOX/ OPENING

[M50]1-1/2 [M40] 1-1/4 [M32]	1 [M25]	3/4 [M20]	1/2 [M16]					
Min. Distance	1-3/4 [45mm]	1-7/16 [37mm]	1-3/16 [31mm]	1 [26mm]	7/8 [23mm]	11/16 [18mm]	9/16 [14mm]	1/2 [13mm]

### MINIMUM WIRE BENDING REQUIREMENTS

AWG/MCM (mm <sup>2</sup> )	16 (1.5)	14 (2.5)	12 (4)	10 (6)	8 (10)	6 (16)	4 (25)	2 (35)
Min. Distance	1-1/2 [38mm]	1-1/2 [38mm]	1-1/2 [38mm]	1-1/2 [38mm]	1-1/2 [38mm]	2 [51mm]	3 [76mm]	3-1/2 [89mm]

AWG/MCM (mm <sup>2</sup> )	1/0 (50)	2/0 (70)	3/0 (95)	4/0 (120)	250 (150)	350 (185)	400 (240)	500 (300)
Min. Distance	5.5 [140mm]	6 [152mm]	6-1/2 [165mm]	7 [178mm]	8-1/2 [216mm]	12 [305mm]	13 [330mm]	14 [356mm]

### ELECTRICAL WIRE CONVERSION

AWG/MCM	22	20	18	16	14	12	10	8	6	4	2
Metric (mm <sup>2</sup> )	0.50	0.75	1.0	1.5	2.5	4	6	10	16	25	35

AWG/MCM	1/0	2/0	3/0	4/0	250	350	400	500	750	1000	1500
Metric (mm <sup>2</sup> )	50	70	95	120	150	185	240	300	400	625	800

Notes:

- The minimum spacing and distance tables provided for conduit/cable fittings and entries are based on maintaining a minimum wall section. They do not take into consideration wrench clearances and locknut turning radius. Consult conduit/cable fitting manufacturer for suggested wrench clearances or spacing.

This information is compiled from data which we believe is reliable and is given in good faith. Since the methods of application and condition under which our products are used are beyond our control, we are not able to guarantee the application and/or use of same. The user assumes all risks and liability in connection with the application and use of our products.









**TAB**





# Explosionproof Instrument Housings

Adalet Explosionproof Instrument Housings are designed to house electrical systems in hazardous environments.

## Multiple Designs / Sizes Available



XIH Series



XIHL Series



XDH Series

- Precision machined from sand-cast copper-free aluminum
- Internal and external ground screws and tamper resistant cover set screw for extra safety
- Buna-Nitrile rubber gasket for NEMA Type 4X watertight applications
- Corrosion resistant, "safety blue" polyester powder coating (other colors available)
- Stainless steel hardware
- Front boss machining and other custom modifications available
- Solid & glass covers
- Double and single ended

## QUICK REFERENCE CHART FOR INSTRUMENT HOUSINGS

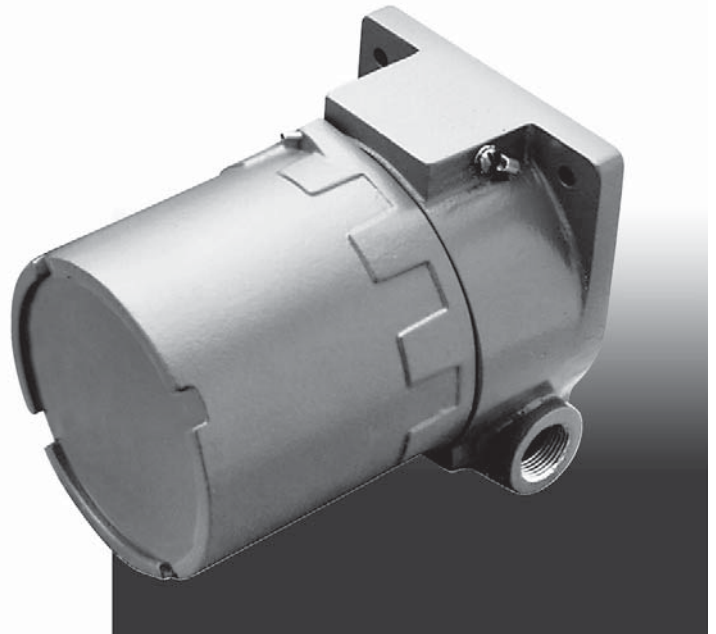
Basic Catalog #	XIHL	XDHL	XIHM	XDHM	XIHMK	XIH	XDH	XIHS	XDHI
Size	Large	Large	Medium	Medium	Medium	Standard	Standard	Small	Small
Single or Double Sided	Single	Double	Single	Double	Single	Single	Double	Single	Double
Throat Diameter	4.00"	4.00"	3.56"	3.63"	3.56"	3.19"	3.19"	2.63"	2.30"
Glass Cover Viewing Diameter	3.31"	3.31"	2.63"	2.63"	2.50"	2.63"	2.63"	1.13"	1.80"
UL	B,C,D	B,C,D	B,C,D	B,C,D	B,C,D	B,C,D	B,C,D	B,C,D	B, C, D
Canadian	cUL B,C,D	cUL B,C,D	cUL B,C,D	cUL B,C,D	cUL B,C,D	cUL B,C,D	cUL B,C,D	CSA B,C,D	cUL B,C,D
FM	B,C,D	B,C,D	B,C,D	B,C,D	B,C,D	B,C,D	B,C,D	B,C,D	N/A
ATEX/Exd and IECEx available?	Yes - IIC	Yes - IIB+H <sub>2</sub>	Yes - IIC	Yes - IIB+H <sub>2</sub>	Yes - IIC	Yes - IIC	Yes - IIB+H <sub>2</sub>	No	Yes - IIB+H <sub>2</sub>
NEMA Type 4X & IP66	Both	Both	Both	Both	Both	Both	Both	Type	Both
Cast Mtg. Feet	Yes	No	Optional	No	Yes	Optional	No	No	No
Powder Coat Std.	Yes	Yes	Yes	Yes	Yes	Yes	Yes	No	No
Backwall Entry	NPT,NPSM,Metric	N/A	NPT	N/A	NPT	Consult Factory	N/A	NPT on XIHSB/D	N/A
Front Boss Entry	NPT,NPSM,Metric	NPT,NPSM,Metric	NPT,NPSM,Metric	NPT,NPSM,Metric	NPT,NPSM,Metric	NPT,NPSM,Metric	NPT,NPSM,Metric	Yes, Hub	NPT,NPSM, Metric
Terminal Strips Thru Dividing Wall	N/A	Yes, 2-12	N/A	Yes, 2-8	N/A	N/A	Yes, 2-4	N/A	Yes, 2
Interior Mounting Means	Versatile Thickwall	Versatile Thickwall	Versatile Thickwall	Versatile Thickwall	Versatile Thickwall	Bosses	Versatile Thickwall	Bosses	Versatile Thickwall
Dividing Wall Penetrate/Remove	N/A	Yes	N/A	Yes	N/A	N/A	Yes	N/A	Yes

# XIHL (Large) SERIES

## 4" ID Enclosure Single Ended Housing

### STANDARD FEATURES

- 3/4" NPT conduit feed-through hubs, offset for maximum clearance and capacity
- 1/2" thick base for blind tapped instrument mounting holes in any location
- Internal and external ground screws and tamper resistant cover set screw for extra safety
- Choice of solid covers or 3-5/16" diameter tempered glass window for local read out and display
- Buna-Nitrile rubber gasket for NEMA Type 4X watertight applications
- Corrosion resistant, "safety blue" polyester powder coating (other colors available)
- Stainless steel hardware



### DESIGN OPTIONS

- 1/4"-20 UNC holes in front boss for bracket mounting
- Front boss modifications: 1/2", 3/4" or 1" NPT & various NPSM & metric entries available (consult factory)
- 1/2" NPT reducers available (add suffix "2" to catalog number)
- Powder or epoxy coatings to match company color scheme
- Cast-on logos
- Custom drilling & tapping modifications

### XIHL - DOMESTIC RATINGS:

#### DIVISION RATINGS:

CLASSIFIED

CLASS I, DIV 1 GROUP BCD

CLASS II, DIV 1 GROUPS EFG

CLASS III

TYPE 4X

UL1203; CSA C22.2 No. 30 & CSA C22.2 No. 25





### XIHLX - GLOBAL RATINGS (OPTIONAL):



#### ZONE RATINGS:

ATEX (FLAMEPROOF – DEMKO)

II 2G  Ex d IIC

II 2D  Ex tD A20

IP66

IECEx (FLAMEPROOF – UL)

Ex d IIC

IP66

EN60079-0, EN60079-1

EN61241-0, EN61241-1

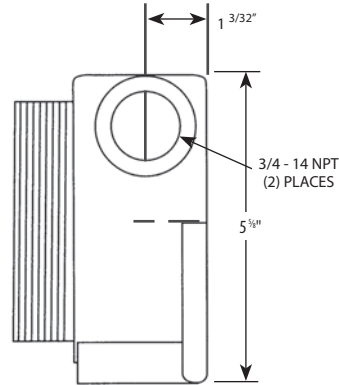
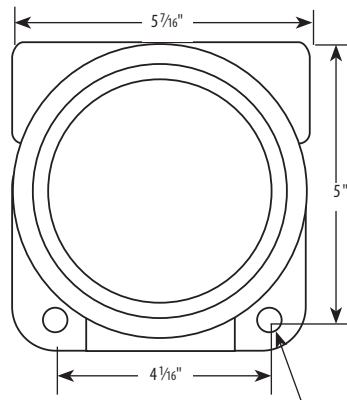
EN60529

IEC60079-0 & IEC60079-1

IEC60529

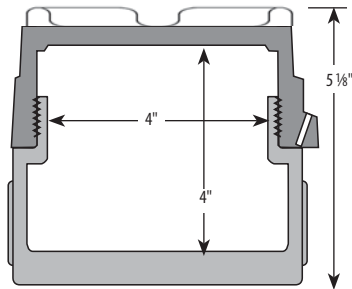
NOTE: AN EXTENDED TEMPERATURE RANGE APPLIES TO ATEX AND IECEx RATINGS ONLY (-50° C TO +85° C AMBIENT)

# XIHL (Large) SERIES



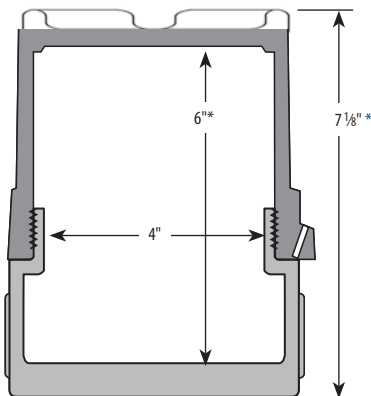
5/16" Diameter Mounting Holes

## Solid Cover Arrangements



### SOLID COVER

Catalog Number	Description
XIHLFCX	Flat Cover, 3/4" NPT Hubs

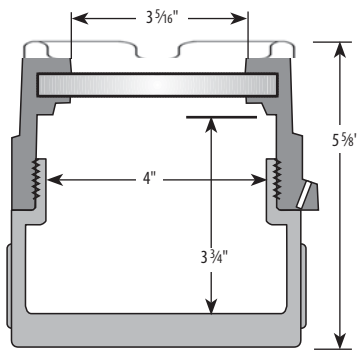


\* Extended dome "EC" cover adds 15/16"

### SOLID COVER

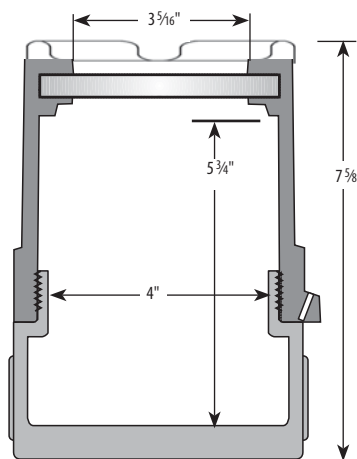
Catalog Number	Description
XIHLDCX	Dome Cover, 3/4" NPT Hubs
XIHLECX*	Extended dome cover

## Glass Cover Arrangements



### GLASS COVER

Catalog Number	Description
XIHLFGCX	Flat Glass Cover, 3/4" NPT Hubs



### GLASS COVER

Catalog Number	Description
XIHLDCGX	Dome Glass Cover, 3/4" NPT Hubs

EXPLOSIONPROOF Instrument Housings

# XDHL (Large) SERIES

## 4" ID Enclosure

### Double Ended Housing

#### STANDARD FEATURES

- 3/4" NPT conduit feed-through hubs, offset into power side for maximum clearance and capacity
- Front boss with 3/4" NPT opening into instrument side for conduit, sensor or probe (see design options for other sizes)
- Internal and external ground screws and tamper resistant cover set screw for extra safety
- Choice of solid covers or 3-5/16" diameter tempered glass window for local read out and display
- Buna-Nitrile rubber gasket for NEMA Type 4X watertight applications
- Corrosion resistant, "safety blue" polyester powder coating (other colors available)
- Stainless steel hardware



#### DESIGN OPTIONS

- 1/4"-20 UNC holes in front boss for bracket mounting
- Front boss modifications: 1/2", 3/4" or 1" NPT & various NPSM & metric entries available in place of standard 3/4" NPT (consult factory)
- 2 to 12- point, power side terminal strip with sealed pass-through to instrument (add suffix 2T, 4T, 6T, 8T, 10T, 12T to catalog number)
- Powder or epoxy coatings to match company color scheme
- Cast-on logos
- Custom drilling & tapping modifications
- Interior bulkhead penetrations
- Power side (shallow side) cover options:

Flat Solid	—	Standard
Dome Glass	—	Add Suffix "A"
Flat Glass	—	Add Suffix "B"
Dome Solid	—	Add Suffix "C"

#### XDHL - DOMESTIC RATINGS:

##### DIVISION RATINGS:

CLASSIFIED

CLASS I, DIV 1 GROUP BCD

CLASS II, DIV 1 GROUPS EFG

CLASS III

TYPE 4X

UL1203; CSA C22.2 No. 30 & CSA C22.2 No. 25



#### XDHLX - GLOBAL RATINGS (OPTIONAL):

##### ZONE RATINGS:

ATEX (FLAMEPROOF – DEMKO)

II 2G Ex d IIB+H<sub>2</sub>

II 2 D Ex tD A20

IP66

IECEX (FLAMEPROOF – UL)

Ex d IIB + H<sub>2</sub>

IP66

EN60079-0, EN60079-1

EN61241-0, EN61241-1

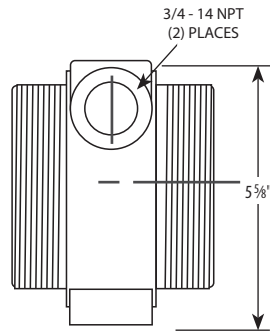
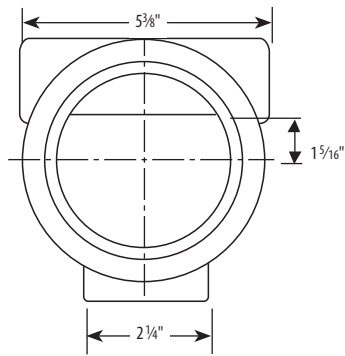
EN60529

IEC60079-0 & IEC60079-1

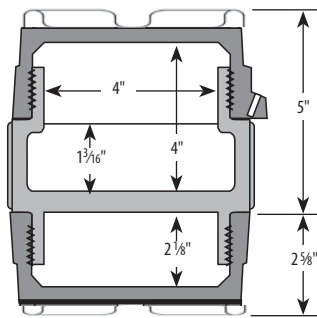
IEC60529

NOTE: AN EXTENDED TEMPERATURE RANGE APPLIES TO ATEX AND IECEX RATINGS ONLY (-50° C TO +85° C AMBIENT)

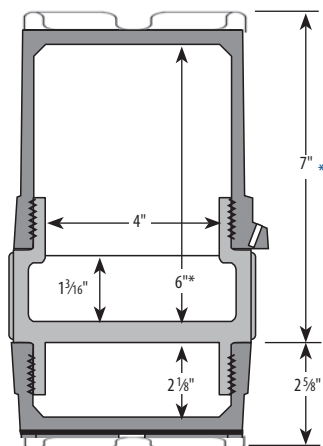
# XDHL (Large) SERIES



## Solid Cover Arrangements



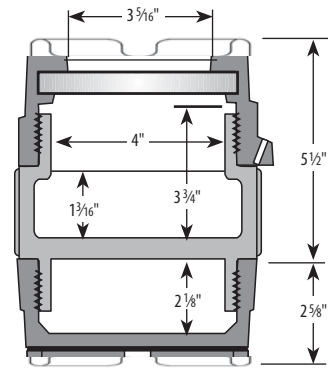
SOLID COVER	
Catalog Number	Description
XDHLFCX	Flat Cover, 3/4" NPT Hubs



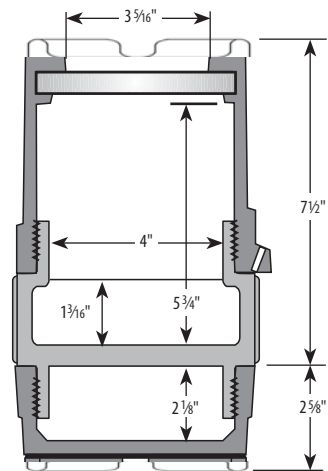
SOLID COVER	
Catalog Number	Description
XDHLDCX	Dome Cover, 3/4" NPT Hubs
XDHLECX*	Extended dome cover, 3/4" NPT Hubs

\* Extended Cover (EC) adds 15/16"

## Glass Cover Arrangements



GLASS COVER	
Catalog Number	Description
XDHLFGCX	Flat Glass Cover, 3/4" NPT Hubs



GLASS COVER	
Catalog Number	Description
XDHLDCGX	Dome Glass Cover, 3/4" NPT Hubs

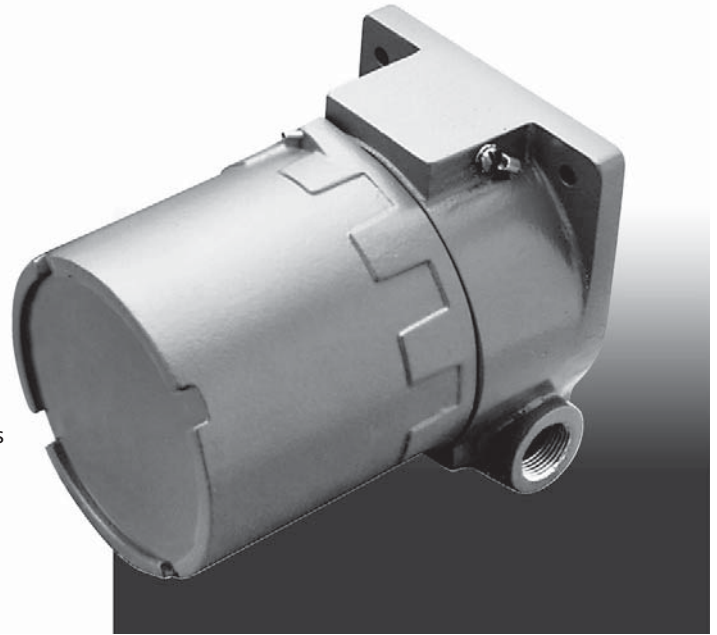
EXPLOSIONPROOF Instrument Housings

# XIHM (Medium) SERIES

## 3-5/8" ID Enclosure Double Ended Housing

### STANDARD FEATURES

- 3/4" NPT conduit feed-through hubs offset for maximum clearance and capacity
- 7/16" thick base for blind tapped instrument mounting holes in any location
- Glass cover models have a large 2-5/8" diameter, tempered glass window for local read out
- 60° chamfer on window opening provides enhanced viewing angle
- Buna-Nitrile rubber gasket for NEMA Type 4X watertight applications
- Front boss for bracket mounting or for use as additional conduit or sensor entry
- Corrosion resistant, "safety blue" polyester powder coating (other colors available)
- Internal and external ground screws and tamper resistant cover set screw for extra safety
- Stainless steel hardware



### DESIGN OPTIONS

- Mounting lugs with 5/16" holes (add suffix "L" to catalog number)
- Additional small hole drilling and tapping in the backwall for mounting of instrumentation
- 1/2" NPT or 3/4" NPT opening into back wall for conduit, sensor or probe
- Front Boss Modifications: 1/2", 3/4" or 1" NPT; 1/2", 3/4" or 1" NPSM; or 20mm or 25mm for sensor, probe or conduit entry
- 1/2" NPT reducers are available – add suffix "2" to catalog-number
- 1/4–20 UNC holes in front boss for bracket mounting (Consult factory for other sizes)
- Custom drilling and tapping modifications

**NOTE** Throat diameter can be increased to 3 5/8" – please consult factory

### XIH - DOMESTIC RATINGS:

#### DIVISION RATINGS:

CLASSIFIED

CLASS I, DIV 1 GROUP BCD

UL1203; CSA C22.2 No. 30 & CSA C22.2 No. 25

CLASS II, DIV 1 GROUPS EFG

CLASS III

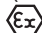
TYPE 4X



### XIHX - GLOBAL RATINGS (OPTIONAL):

#### ZONE RATINGS:

ATEX (FLAMEPROOF – DEMKO)

II 2G  Ex d IIC

EN60079-0, EN60079-1

II 2 D  Ex tD A20

EN61241-0, EN61241-1

IP66

EN60529

IECEX (FLAMEPROOF – UL)

Ex d IIC

IEC60079-0 & IEC60079-1

IP66

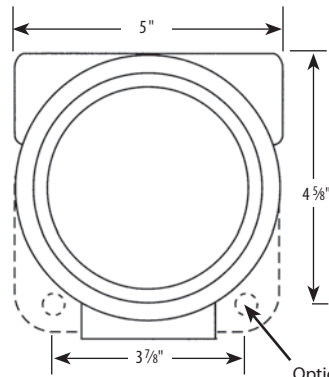
IEC60529



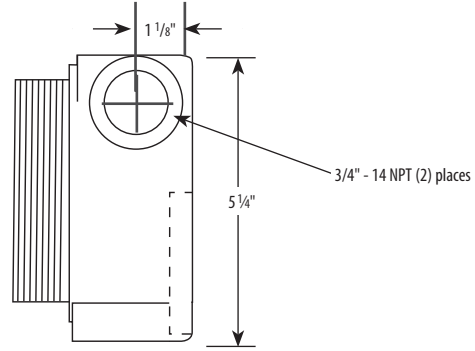
NOTE: AN EXTENDED TEMPERATURE RANGE APPLIES TO ATEX AND IECEX RATINGS ONLY (-50° C TO +85° C AMBIENT)



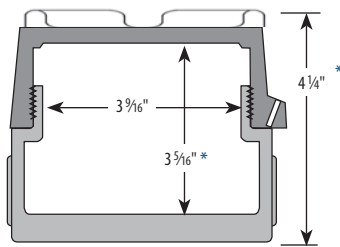
# XIHM (Medium) SERIES



Optional mounting lugs (2) with 5/16" diameter mounting holes

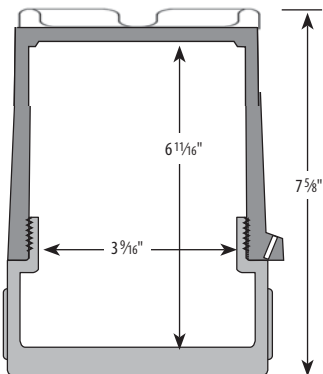


## Solid Cover Arrangements



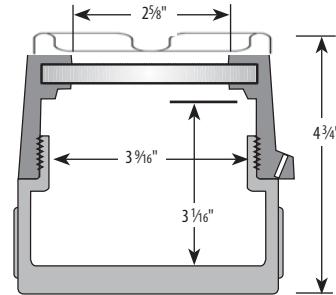
\* Midsize solid cover available, add 11/16" to above dimensions

Catalog Number	Description
XIHMMCX	Mid Size Cover, 3/4" NPT Hubs

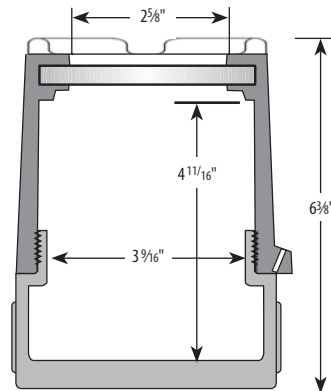


SOLID COVER	
Catalog Number	Description
XIHMDCX	Dome Cover, 3/4" NPT Hubs

## Glass Cover Arrangements



GLASS COVER	
Catalog Number	Description
XIHMGCX	Flat Glass Cover, 3/4" NPT Hubs



GLASS COVER	
Catalog Number	Description
XIHMDGCX	Dome Glass Cover, 3/4" NPT Hubs

# XDHM (Medium) SERIES

## 3-5/8" ID Enclosure

### Double Ended Housing

#### STANDARD FEATURES

- 3/4" NPT conduit feed-through hubs, offset into power side for maximum clearance and capacity
- Front boss with 3/4" NPT opening into instrument side for conduit, sensor or probe (see design options for other sizes)
- 60° chamfer on window opening provides enhanced viewing angle
- Internal and external ground screws and tamper resistant cover set screw for extra safety
- Choice of solid covers or 2 5/8" diameter tempered glass window for local read out and display
- Buna-Nitrile rubber gasket for NEMA Type 4X watertight applications
- Corrosion resistant, "safety blue" polyester powder coating (other colors available)
- Stainless steel hardware

#### DESIGN OPTIONS

- 1/4"-20 UNC holes in front boss for bracket mounting
- Front boss modifications: 1/2", 3/4" or 1" NPT & various NPSM & metric entries available in place of standard 3/4" NPT (consult factory)
- 1/2" NPT reducers available (add suffix "2" to catalog number)
- Throat diameter can be increased to 3-5/8" (consult factory)
- Powder or epoxy coatings to match company color scheme
- Cast-on logos
- Custom drilling & tapping modifications
- Interior bulkhead penetrations
- Power side (shallow side) cover options:

Flat Solid	—	Standard
Dome Glass	—	Add Suffix "A"
Flat Glass	—	Add Suffix "B"
Dome Solid	—	Add Suffix "C"

- 2 to 8-point power side terminal strip with sealed pass through to instrument (add suffix 2T, 4T, 6T, 8T to catalog number)



#### XDHM - DOMESTIC RATINGS:

##### DIVISION RATINGS:

CLASSIFIED

CLASS I, DIV 1 GROUP BCD  
CLASS II, DIV 1 GROUPS EFG  
CLASS III  
TYPE 4X

UL1203; CSA C22.2 No. 30 & CSA C22.2 No. 25



#### XDHMX - GLOBAL RATINGS (OPTIONAL):

##### ZONE RATINGS:

ATEX (FLAMEPROOF – DEMKO)

II 2G  Ex d IIB+H<sub>2</sub>

II 2D  Ex tD A20

IP66

IECEX (FLAMEPROOF – UL)

Ex d IIB + H<sub>2</sub>

IP66

EN60079-0, EN60079-1

EN61241-0, EN61241-1

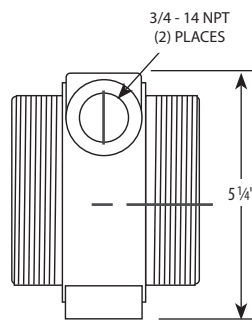
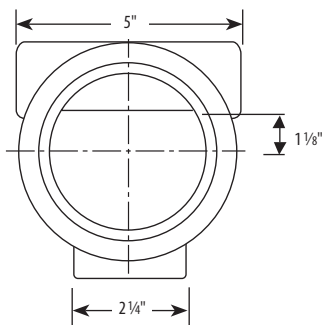
EN60529

IEC60079-0 & IEC60079-1

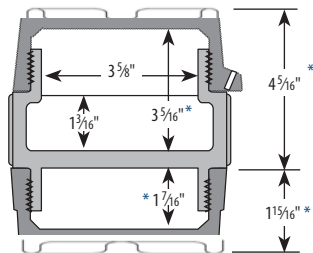
IEC60529

NOTE: AN EXTENDED TEMPERATURE RANGE APPLIES TO ATEX AND IECEX RATINGS ONLY (-50° C TO +85° C AMBIENT)  
The ADALET Engineering Department is Available to Assist you in the Selection of Enclosures and Accessories.

# XDHM (Medium) SERIES



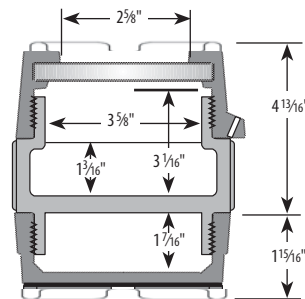
## Solid Cover Arrangements



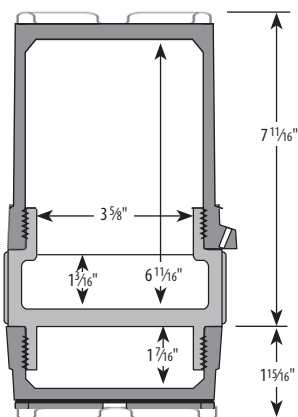
\* Midsize solid cover available – add 11/16" to above dimensions.

SOLID COVER	
Catalog Number	Description
XDHMFCX	Flat Cover, 3/4" NPT Hubs
XDHMMCX	Mid Size Cover, 3/4" NPT Hubs

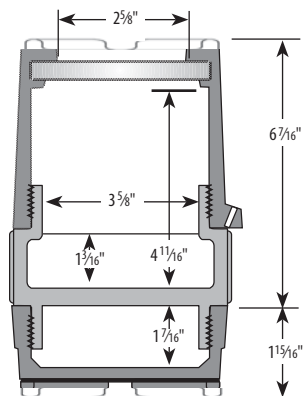
## Glass Cover Arrangements



GLASS COVER	
Catalog Number	Description
XDHMFGCX	Flat Glass Cover, 3/4" NPT Hubs



SOLID COVER	
Catalog Number	Description
XDHMDCX	Dome Cover, 3/4" NPT Hubs



GLASS COVER	
Catalog Number	Description
XDHMDCGX	Dome Glass Cover, 3/4" NPT Hubs

EXPLOSIONPROOF Instrument Housings

# XIHM (Medium) K SERIES

## 3-9/16" ID Enclosures

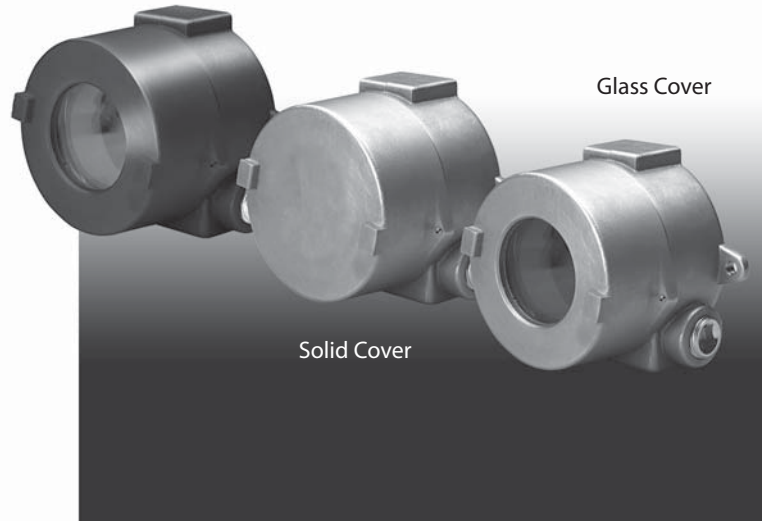
### STANDARD FEATURES

- 3/4" NPT conduit feed-through hubs offset for maximum clearance and capacity
- 7/16" thick base for blind tapped instrument mounting holes in any location
- Glass cover models have a 2.5" diameter, tempered glass window for local read out
- Buna-Nitrile rubber gasket for NEMA Type 4X watertight applications
- Front boss for use as additional conduit or sensor entry
- Corrosion resistant, "safety blue" polyester powder coating (other colors available)
- Internal and external ground screws and tamper resistant cover set screw for extra safety
- Stainless steel hardware
- Centralized mounting lugs with 5/16" diameter holes

### DESIGN OPTIONS

- Additional small hole drilling and tapping in the backwall for mounting of instrumentation
- 1/2" NPT or 3/4" NPT opening into back wall for conduit, sensor or probe
- Front Boss Modifications: various entry sizes available for sensor, probe or conduit. Consult factory.
- 1/2" NPT reducers are available – add suffix "2" to catalog-number

Custom Colors



### XIH - DOMESTIC RATINGS:

#### DIVISION RATINGS:

CLASSIFIED

CLASS I, DIV 1 GROUP BCD

CLASS II, DIV 1 GROUPS EFG

CLASS III

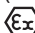
TYPE 4X

UL1203; CSA C22.2 No. 30 & CSA C22.2 No. 25



### XIHX - GLOBAL RATINGS (OPTIONAL):

ATEX (FLAMEPROOF – DEMKO)

II 2G  Ex d IIC

II 2D  Ex tD A20

IP66

IECEX (FLAMEPROOF – UL)

Ex d IIC

IP66

EN60079-0, EN60079-1

EN61241-0, EN61241-1

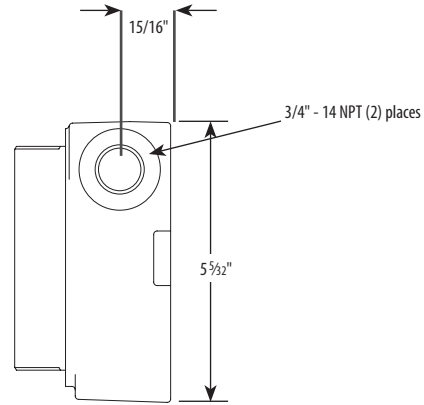
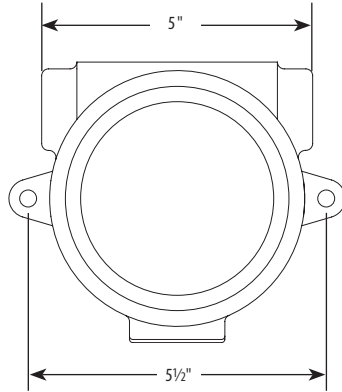
EN60529

IEC60079-0 & IEC60079-1

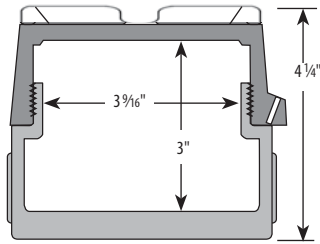
IEC60529

NOTE: AN EXTENDED TEMPERATURE RANGE APPLIES TO ATEX AND IECEX RATINGS ONLY (-50° C TO +85° C AMBIENT)

# XIHM (Medium) K SERIES



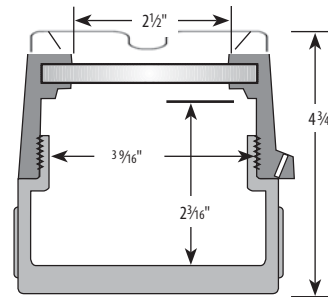
## Solid Cover Arrangements



### SOLID COVER

Catalog Number	Description
XIHMKFCX	Flat Cover, 3/4" NPT Hubs

## Glass Cover Arrangements



### GLASS COVER

Catalog Number	Description
XIHMKFGCX	Flat Glass Cover, 3/4" NPT Hubs

# XIH (Standard) SERIES

## 3-3/16" ID Enclosure Single Ended Housing

### STANDARD FEATURES

- 1/2" or 3/4" NPT conduit feed-through hubs, offset for maximum clearance and capacity
- Four interior mounting bosses at 45° orientation accommodate blind tapped holes on a 2-1/2" bolt circle
- Internal and external ground screws and tamper resistant cover set screw for extra safety
- Choice of solid covers or 2-5/8" diameter tempered glass window for local read out or display
- Buna-Nitrile rubber gasket for NEMA Type 4X watertight applications
- Corrosion resistant, "safety blue" polyester powder coating (other colors available)
- Stainless steel hardware

### DESIGN OPTIONS

- 1/4"-20 UNC holes in front boss for bracket mounting
- Front boss modifications: 1/2" or 3/4" NPT & various NPSM & metric entries available in place of standard 1/2" NPT (consult factory)
- Mounting lugs with 5/16" holes (add suffix "L" to catalog number)
- Powder or epoxy coatings to match company color scheme
- Cast-on logos
- Custom drilling & tapping modifications
- Interior mounting bosses



### XIHX - DOMESTIC RATINGS:

#### DIVISION RATINGS:

CLASSIFIED

CLASS I, DIV 1 GROUP BCD

CLASS II, DIV 1 GROUPS EFG

CLASS III

TYPE 4X

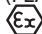
UL1203; CSA C22.2 No. 30 & CSA C22.2 No. 25

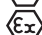


### XIHX - GLOBAL RATINGS (OPTIONAL):

#### ZONE RATINGS:

ATEX (FLAMEPROOF – DEMKO)

II 2G  Ex d IIC

II 2 D  Ex tD A20

IP66

IECEX (FLAMEPROOF – UL)

Ex d IIC

IP66

EN60079-0, EN60079-1

EN61241-0, EN61241-1

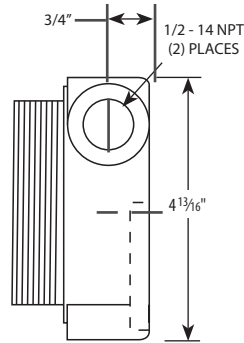
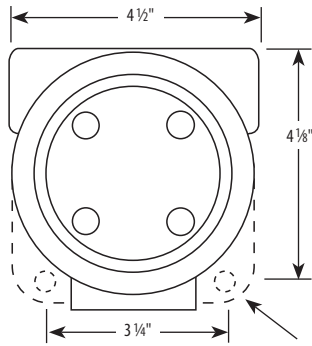
EN60529

IEC60079-0 & IEC60079-1

IEC60529

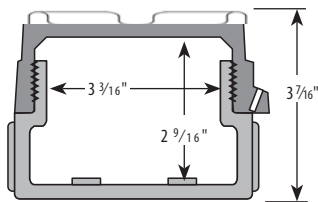
NOTE: AN EXTENDED TEMPERATURE RANGE APPLIES TO ATEX AND IECEX RATINGS ONLY (-50° C TO +85° C AMBIENT)

# XIH (Standard) SERIES



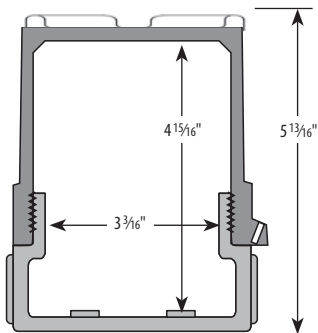
Optional Mounting Lugs (2)  
with 5/16" diameter holes

## Solid Cover Arrangements



### FLAT SOLID COVER

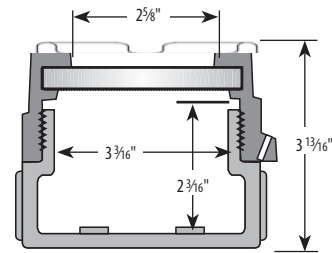
Catalog Number	Description
XIHFCX2	Flat Cover, 1/2" NPT Hubs
XIHFCX3	Flat Cover, 3/4" NPT Hubs



### DOME SOLID COVER

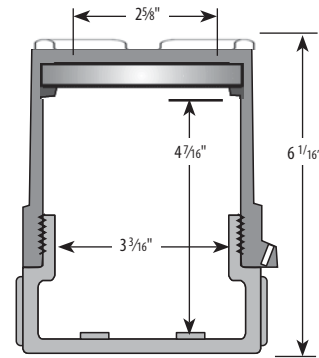
Catalog Number	Description
XIHDCX2	Dome Cover, 1/2" NPT Hubs
XIHDCX3	Dome Cover, 3/4" NPT Hubs

## Glass Cover Arrangements



### FLAT GLASS COVER

Catalog Number	Description
XIHFGCX2	Flat Glass Cover, 1/2" NPT Hubs
XIHFGCX3	Flat Glass Cover, 3/4" NPT Hubs



### DOME GLASS COVER

Catalog Number	Description
XIHDCX2	Dome Glass Cover, 1/2" NPT Hubs
XIHDCX3	Dome Glass Cover, 3/4" NPT Hubs

EXPLOSIONPROOF  
Instrument Housings

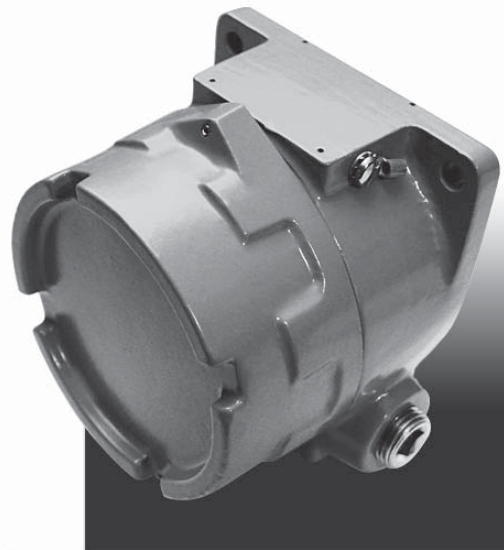
# XIH 3-LUG SERIES

## 3-3/16" ID Enclosure

### 3-Lug Mounting / Single Ended Housing

#### STANDARD FEATURES

- Three factory drilled mounting lugs for extra rigid mounting
- 1/2" conduit feed-through hubs, offset for maximum clearance and capacity
- Four interior mounting bosses at 45° orientation accommodate blind tapped holes on a 2-1/2" bolt circle
- Internal and external ground screws and tamper resistant cover set screw for extra safety
- Choice of solid covers or 2-5/8" diameter tempered glass window for local read out or display
- Buna-Nitrile rubber gasket for NEMA Type 4X watertight applications
- Corrosion resistant, "safety blue" polyester powder coating (other colors available)
- Stainless steel hardware



#### DESIGN OPTIONS

- 1/4"-20 UNC holes in front boss for bracket mounting
- Front boss modifications: 1/2" or 3/4" NPT & various NPSM & metric entries available in place of standard 1/2" NPT (consult factory)
- Mounting lugs with 5/16" holes (add suffix "L" to catalog number)
- Powder or epoxy coatings to match company color scheme
- Cast-on logos
- Custom drilling & tapping modifications
- Interior mounting bosses

#### XIH - DOMESTIC RATINGS:

##### DIVISION RATINGS:

CLASSIFIED

CLASS I, DIV 1 GROUP BCD

CLASS II, DIV 1 GROUPS EFG

CLASS III


TYPE 4X




UL1203; CSA C22.2 No. 30 & CSA C22.2 No. 25

#### XIHX - GLOBAL RATINGS (OPTIONAL):

ATEX (FLAMEPROOF – DEMKO)

II 2G  Ex d IIC

II 2 D  Ex tD A20

IP66

IECEX (FLAMEPROOF – UL)

Ex d IIC

IP66

EN60079-0, EN60079-1

EN61241-0, EN61241-1

EN60529

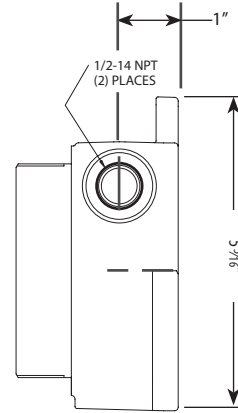
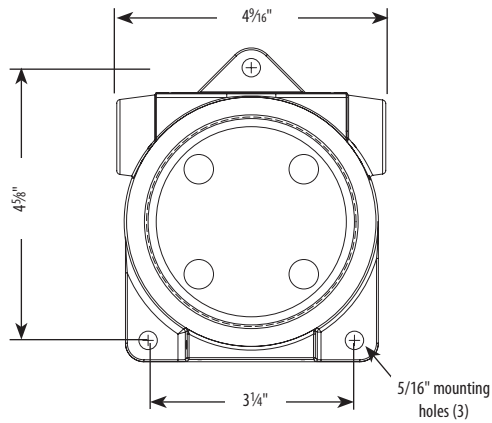
IEC60079-0 & IEC60079-1

IEC60529

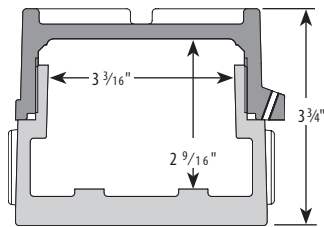
NOTE: AN EXTENDED TEMPERATURE RANGE APPLIES TO ATEX AND IECEX RATINGS ONLY (-50° C TO +85° C AMBIENT)



# XIH 3-LUG

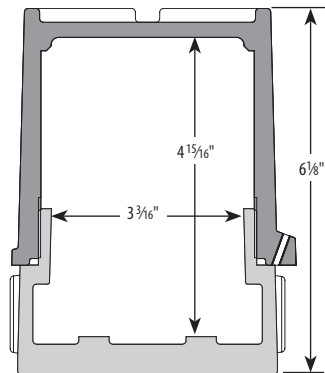


## Solid Cover Arrangements



### FLAT SOLID COVER

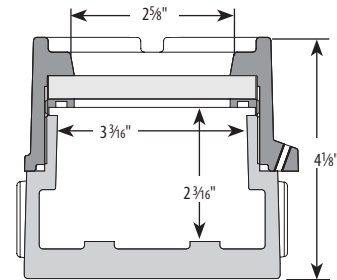
Catalog Number	Description
XIHFCX 2L-3 Lug	Flat Cover, 1/2" NPT Hubs



### DOMESOLID COVER

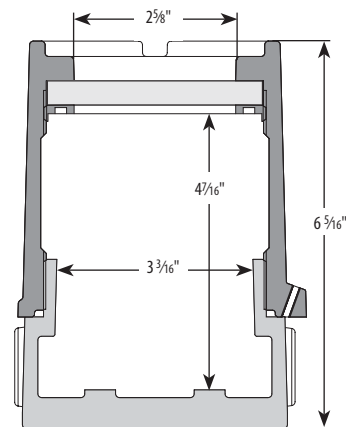
Catalog Number	Description
XIHDCX 2L-3 Lug	Dome Cover, 1/2" NPT Hubs

## Glass Cover Arrangements



### FLAT GLASS COVER

Catalog Number	Description
XIHFGCX 2L-3 Lug	Flat Glass Cover, 1/2" NPT Hubs



### DOMEGLASS COVER

Catalog Number	Description
XIHGDCX 2L-3 Lug	Dome Glass Cover, 1/2" NPT Hubs

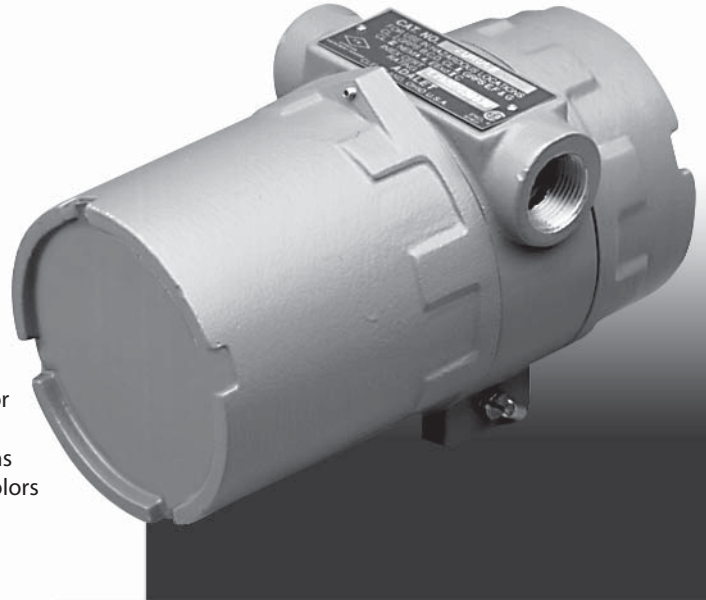
EXPLOSIONPROOF Instrument Housings

# XDH (Standard) SERIES

## 3-3/16" ID Enclosure Double Ended Housing

### STANDARD FEATURES

- 3/4" NPT conduit feed-through hubs, offset into power side for maximum clearance and capacity
- Front boss with 3/4" NPT opening into instrument side for conduit, sensor or probe (see design options for other sizes)
- Internal and external ground screws and tamper resistant cover set screw for extra safety
- Choice of solid covers or 2-5/8" diameter tempered glass window for local read out and display
- Buna-Nitrile rubber gasket for NEMA Type 4X watertight applications
- Corrosion resistant, "safety blue" polyester powder coating (other colors available)
- Stainless steel hardware



### DESIGN OPTIONS

- 1/4"-20 UNC holes in front boss for bracket mounting
- Front boss modifications: 1/2" NPT & various NPSM & metric entries available in place of standard 3/4" NPT (consult factory)
- 2 to 4-point, power side terminal strip with sealed pass-through to instrument (add suffix "2T" or "4T" to catalog number)
- Powder or epoxy coatings to match company color scheme
- Cast-on logos
- Custom drilling & tapping modifications
- Interior bulkhead penetration
- Power side (shallow side) cover options:

Flat Solid	—	Standard
Dome Glass	—	Add Suffix "A"
Flat Glass	—	Add Suffix "B"
Dome Solid	—	Add Suffix "C"

### XDH - DOMESTIC RATINGS:

DIVISION RATINGS:

CLASSIFIED

CLASS I, DIV 1 GROUP BCD

CLASS II, DIV 1 GROUPS EFG

CLASS III

TYPE 4X

UL1203; CSA C22.2 No. 30 & CSA C22.2 No. 25




### XDHX - GLOBAL RATINGS (OPTIONAL):

ZONE RATINGS:

ATEX (FLAMEPROOF – DEMKO)

II 2G  IIB+H<sub>2</sub>

II 2D  Ex tD A20

IP66

IECEX (FLAMEPROOF – UL)

Ex d IIB+H<sub>2</sub>

IP66

EN60079-0, EN60079-1

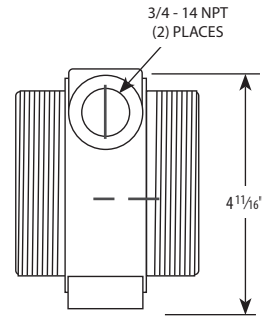
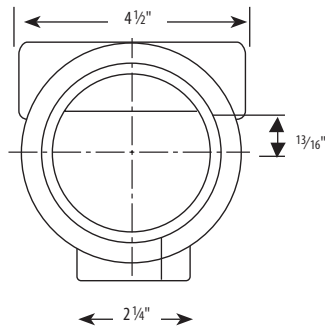
EN61241-0, EN61241-1

EN60529

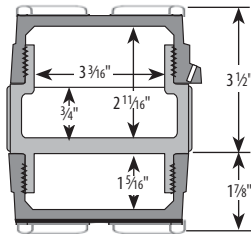
IEC60079-0 & IEC60079-1

IEC60529

# XDH (Standard) SERIES

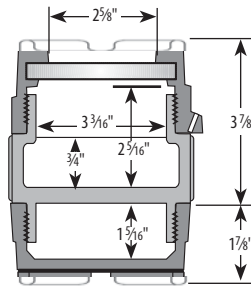


## Solid Cover Arrangements

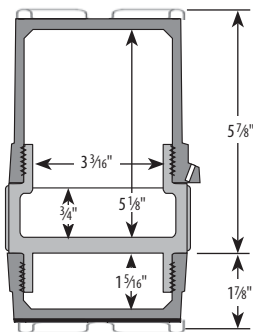


SOLID COVER	
Catalog Number	Description
XDHFCC	Flat Cover, 3/4" NPT Hubs

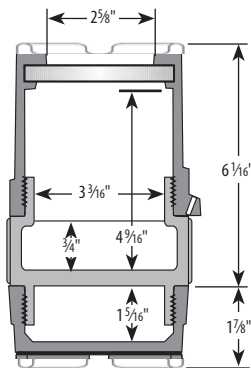
## Glass Cover Arrangements



GLASS COVER	
Catalog Number	Description
XDHFGCX	Flat Glass Cover, 3/4" NPT Hubs



SOLID COVER	
Catalog Number	Description
XDHDCX	Dome Cover, 3/4" NPT Hubs



GLASS COVER	
Catalog Number	Description
XDHGDCX	Dome Glass Cover, 3/4" NPT Hubs

EXPLOSIONPROOF Instrument Housings

# XIHS (Small) SERIES

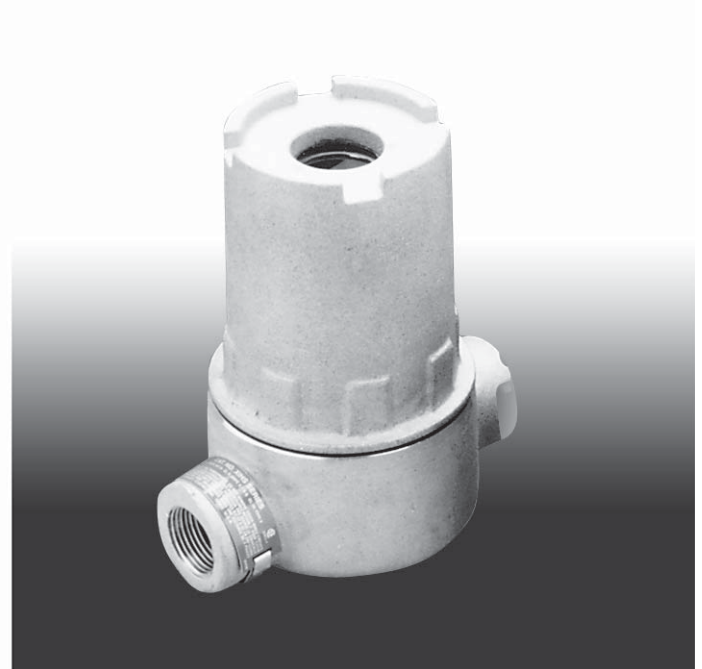
## 2-5/8" ID Enclosure Single Ended Housing

### **STANDARD FEATURES**

- 1/2", 3/4", or 1" NPT conduit feed-through hubs
- Internal mounting bosses accommodate blind tappe dholes on a 2" bolt circle
- Internal and external ground screws and tamper resistant cover set screws for extra safety
- Choice of solid covers or 1-1/8" diameter tempered glass window for local read out and display
- Buna-Nitrile rubber gasket for NEMA Type 4X watertight applications
- Tumbled, natural aluminum finish

### **DESIGN OPTIONS**

- Powder or epoxy coatings to match company color scheme
- Cast-on logos
- Custom drilling and tapping modifications



### **CERTIFICATIONS**

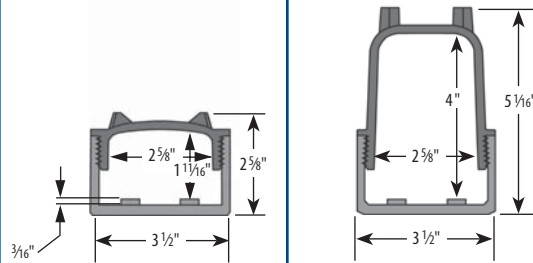
Class I, Division 1, Gas Groups BCD  
Class II, Division 1, Gas Groups EFG  
Class III  
Type 4X, 7BCD, 9EFG

UL Standard 1203  
CSA Standard C22.2 No. 30  
FM Standard 3615  
NEMA Compliance



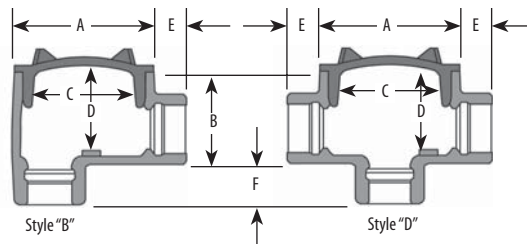
# XIHS (Small) SERIES

## COVER ARRANGEMENTS



Base Styles	Catalog #	Conduit Size	Catalog #	Conduit Size	Catalog #
<b>B</b>	XIHSBFC2	1/2" NPT	XIHSBDC2	1/2" NPT	XIHSBDGC2
	XIHSBFC3	3/4" NPT	XIHSBDC3	3/4" NPT	XIHSBDGC3
	XIHSBFC4	1" NPT	XIHSBDC4	1" NPT	XIHSBDGC4
<b>C</b>	XIHSFC2	1/2" NPT	XIHSDC2	1/2" NPT	XIHSDCGC2
	XIHSFC3	3/4" NPT	XIHSDC3	3/4" NPT	XIHSDCGC3
	XIHSFC4	1" NPT	XIHSDC4	1" NPT	XIHSDCGC4
<b>D</b>	XIHSDFC3	3/4" NPT	XIHSDDC3	3/4" NPT	XIHSDDGC3
	XIHSDFC4	1" NPT	XIHSDDC4	1" NPT	XIHSDDGC4
<b>L</b>	XIHSLFC2	1/2" NPT	XIHSLDC2	1/2" NPT	XIHSLDGC2
	XIHSLFC3	3/4" NPT	XIHSLDC3	3/4" NPT	XIHSLDGC3
	XIHSLFC4	1" NPT	XIHSLDC4	1" NPT	XIHSLDGC4
<b>T</b>	XIHSTFC2	1/2" NPT	XIHSTDC2	1/2" NPT	XIHSTDGC2
	XIHSTFC3	3/4" NPT	XIHSTDC3	3/4" NPT	XIHSTDGC3
	XIHSTFC4	1" NPT	XIHSTDC4	1" NPT	XIHSTDGC4
<b>X</b>	XIHSXFC2	1/2" NPT	XIHSXDC2	1/2" NPT	XIHSXDGC2
	XIHSXFC3	3/4" NPT	XIHSXDC3	3/4" NPT	XIHSXDGC3
	XIHSXFC4	1" NPT	XIHSXDC4	1" NPT	XIHSXDGC4
<b>Y</b>	XIHSYFC23	ONE 1/2" NPT	XIHSYDC23	ONE 1/2" NPT	XIHSYDGC23
		ONE 3/4" NPT		ONE 3/4" NPT	

**NOTE** Above dimensions are for 1/2" and 3/4" NPT. For 1" NPT housings, add 5/16" to height dimensions

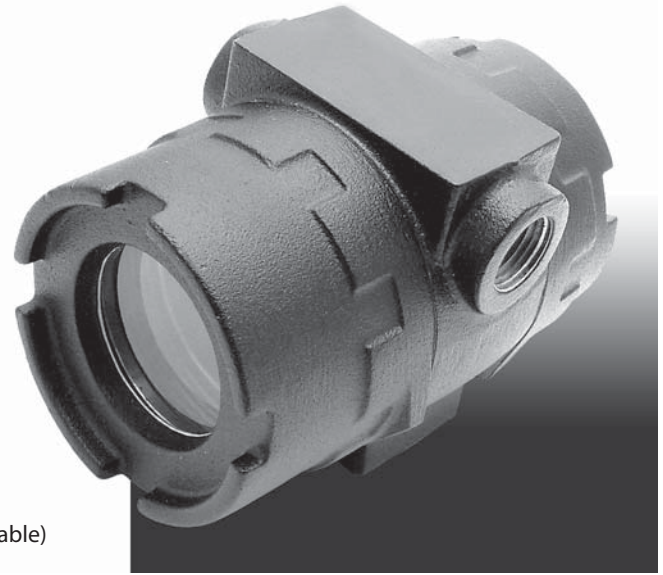


Conduit Size	A	B	C	D	E	F
1/2	3 1/2	2-1/16	2-5/8	1-11/16	7/8	7/8
3/4	3 1/2	2-1/16	2-5/8	1-11/16	7/8	7/8
1	3 1/2	2-3/8	2-5/8	2	1	1

EXPLOSIONPROOF Instrument Housings

# XDHI (Mini) SERIES

## 2-5/16" ID Enclosure Double Ended Housing



### STANDARD FEATURES

- 1/2" NPT conduit feed-through hubs, offset into power side for maximum clearance and capacity
- Front boss with 1/2" NPT opening into instrument side for conduit, sensor or probe (see design options for other sizes)
- Internal and external ground screws and tamper resistant cover set screws for extra safety
- Choice of solid covers or 1-13/16" diameter tempered glass window for local read out and display
- Buna-Nitrile rubber gasket for NEMA Type 4X watertight applications
- Corrosion resistant, "safety blue" polyester powder coating (other colors available)
- Stainless steel hardware

### DESIGN OPTIONS

- 1/4"-20 UNC holes in front boss for bracket mounting
- Front boss modifications: 3/4" NPT & various NPSM & metric entries available in place of standard 1/2" NPT (consult factory)
- 2 point, power side terminal strip with sealed pass-through to instrument (add suffix "2T" to catalog number)
- Powder or epoxy coatings to match company color scheme
- Cast-on logos
- Custom drilling & tapping modifications
- Interior bulkhead penetrations
- Power side (shallow side) cover options:

Flat Solid	—	Standard
Dome Glass	—	Add Suffix "A"
Flat Glass	—	Add Suffix "B"
Dome Solid	—	Add Suffix "C"

### XDHI - DOMESTIC RATINGS:

#### DIVISION RATINGS:

CLASSIFIED  
CLASS I, DIV 1 GROUP BCD  
CLASS II, DIV 1 GROUPS EFG  
TYPE 4X




UL1203; CSA C22.2 No. 30 & CSA C22.2 No. 25

### XDHI - GLOBAL RATINGS (OPTIONAL):

#### ZONE RATINGS:

ATEX (FLAMEPROOF – DEMKO)

II 2G  Ex d IIB+H<sub>2</sub>

II 2D  Ex tD A20

IP66

IECEX (FLAMEPROOF – UL)

Ex d IIB+H<sub>2</sub>

IP66

EN60079-0, EN60079-1

EN61241-0 & EN61241-1

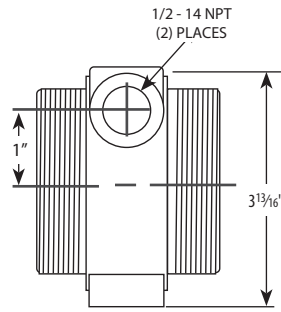
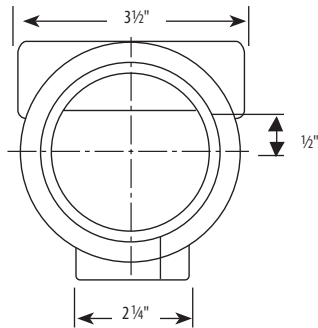
EN60529

IEC60079-0 & IEC60079-1

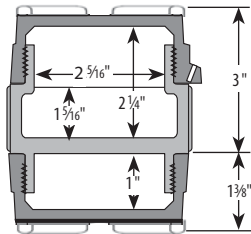
IEC60529

NOTE: AN EXTENDED TEMPERATURE RANGE APPLIES TO ATEX AND IECEX RATINGS ONLY (-50° C TO +85° C AMBIENT)

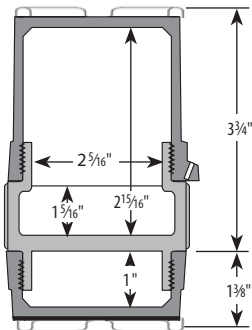
# XDHI (Mini) SERIES



## Solid Cover Arrangements

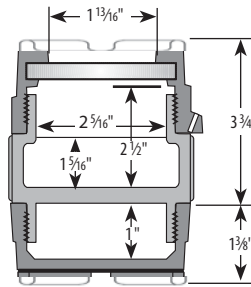


SOLID COVER	
Catalog Number	Description
XDHIFCX	Flat Cover, 1/2" NPT Hubs

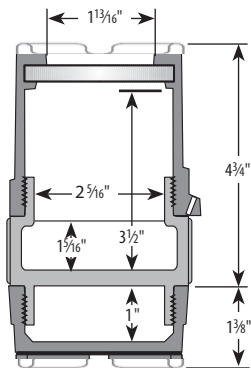


SOLID COVER	
Catalog Number	Description
XDHIDCX	Dome Cover, 1/2" NPT Hubs

## Glass Cover Arrangements



GLASS COVER	
Catalog Number	Description
XDHIFGCX	Flat Glass Cover, 1/2" NPT Hubs



GLASS COVER	
Catalog Number	Description
XDHIDGCX	Dome Glass Cover, 1/2" NPT Hubs

# XIHNS SERIES

## 4-1/16" ID Enclosure Single Stainless Steel Ended Housing

### STANDARD FEATURES

- 316L investment-cast stainless steel
- 3/4" NPT conduit feed-through hubs
- Available space for up to six conduit entries
- Removable internal mounting panel for convenient field drilling & tapping
- Two centralized cast-on mounting tabs with 5/16" holes
- Internal and external ground screws and tamper resistant cover set screws for extra safety
- Choice of solid covers or 3-5/16" diameter tempered glass window for local read out or display
- Buna-Nitrile rubber gasket for NEMA 4X watertight applications

### DESIGN OPTIONS

- 1/4"-20 UNC holes in front boss for bracket mounting
- Front boss modifications: 1/2", 3/4" or 1" NPT & various NPSM & metric entries
- 1/2" NPT reducers available (add suffix "2" to catalog number)
- Custom drilling & tapping in mounting panel
- Backwall NPT entry in lieu of mounting panel



### XIHL - DOMESTIC RATINGS:

#### DIVISION RATINGS:

CLASSIFIED  
CLASS I, DIV 1 GROUP BCD  
CLASS II, DIV 1 GROUPS EFG  
CLASS III  
TYPE 4X  
UL1203; CSA C22.2 No. 30 & CSA C22.2 No. 25



### XIHLX - GLOBAL RATINGS (OPTIONAL):

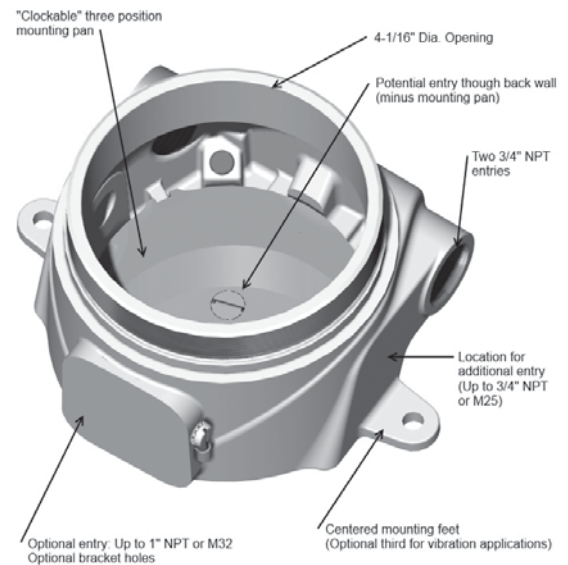
#### ZONE RATINGS:

ATEX (FLAMEPROOF – DEMKO)  
II 2G Ex d IIC  
II 2D Ex tD A20  
IP66  
IECEx (FLAMEPROOF – UL)  
Ex d IIC  
IP66

EN60079-0, EN60079-1  
EN61241-0, EN61241-1  
EN60529

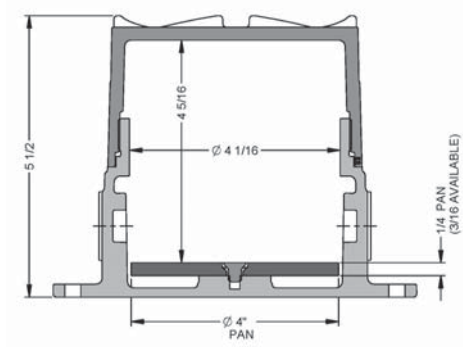
IEC60079-0 & IEC60079-1  
IEC60529

NOTE: AN EXTENDED TEMPERATURE RANGE APPLIES TO ATEX AND IECEx RATINGS ONLY (-50° C TO +85° C AMBIENT)





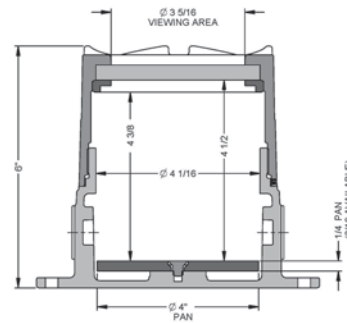
## Solid Cover Arrangements



### SOLID COVER

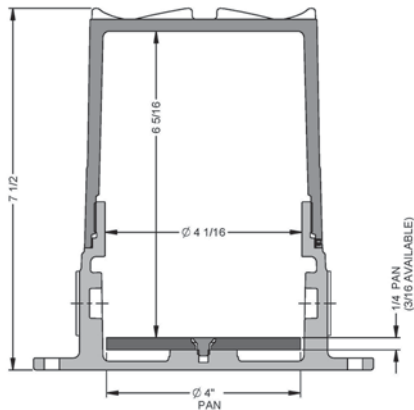
Catalog Number	Description
XIHNSFCX	Flat Cover, 3/4" NPT Hubs

## Glass Cover Arrangements



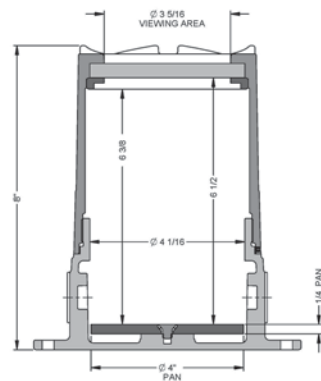
### GLASS COVER

Catalog Number	Description
XIHNSFGCX	Flat Glass Cover, 3/4" NPT Hubs



### SOLID COVER

Catalog Number	Description
XIHNSDCX	Dome Cover, 3/4" NPT Hubs



### GLASS COVER

Catalog Number	Description
XIHNSDGX	Dome Glass Cover, 3/4" NPT Hubs









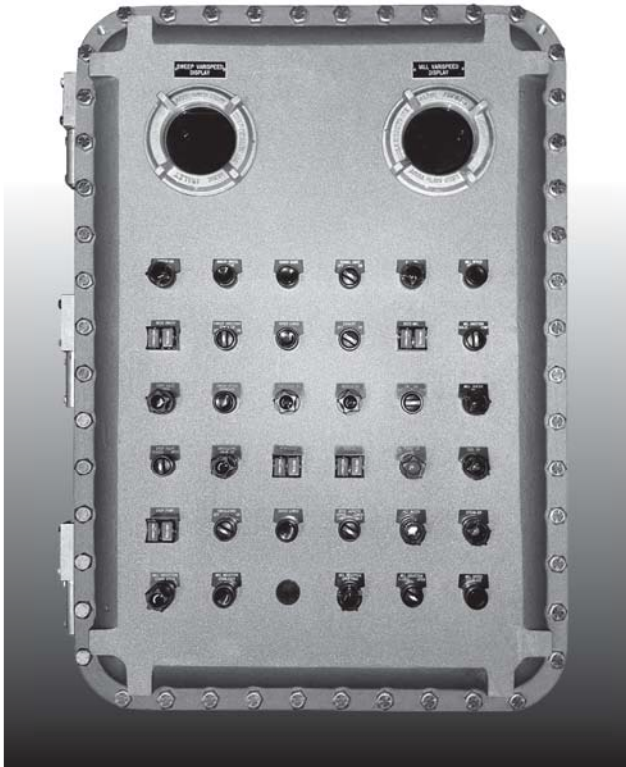
**TAB**

# XCE: Explosionproof Control Enclosures

## XCEX: Flameproof Control Enclosures

## XCEQ: Explosionproof Quad-Lead Control Enclosures

## XJF: Explosionproof Junction Boxes



### STANDARD FEATURES

- 80 standard sizes available
- Corrosion resistant, copper free aluminum
- Pre-drilled hinge holes (hinge optional)
- Pre-drilled mounting panel bosses (mounting panel optional)
- Type 4 watertight Nitrile gasket
- High strength steel cover bolts (zinc plated and coated)
- Internal grounding screws. External earthing provided on XCEX
- Removable lifting eye bolts (18x24 and larger)
- Lid-lifter cover alignment device (1824 and larger)
- Cast-on mounting lugs / feet
- Tumbleblast, natural aluminum finish

### DESIGN OPTIONS

- Stainless steel cover bolts for Type 4X corrosion protection
- Mounting panels - Available in galvanized steel (XSM), aluminum (XSA), or phenolic (XSB)
- Aluminum hinge kits with stainless steel hardware
- Conduit (NPT & metric) and device (NPSM) drilling & tapping
- Operators and auxiliary devices such as breather / drains and flame arrestors
- Quad lead, quick thread cover bolts (designate XCEQ when ordering, not available on XCEX)
- Window kits - Round (up to 8" viewing diameter or square / rectangular (up to 13" x 13"))
- Custom machining - Milling, counter-boring, spot-facing, blind drilled holes entries, chamfers

### CONSTRUCTION MATERIAL


- Enclosure - Copper free aluminum (3/10 of 1%)
- Cover bolts - Steel, zinc plated and coated
- Hinge kits - Copper free aluminum with stainless steel hardware

### CERTIFICATIONS

#### XCE Series:

Class I, Division 1, Gas Groups BCD	UL 1203
Class II, Division 1, Gas Groups EFG	CSA C22.2 No. 30
Class III	
Type 4, 7, 9	UL 50
Type 4X (w/ SS cover bolts)	

#### XCEX Series:

Class I, Division 1, Gas Groups BCD	UL 1203
Class II, Division 1, Gas Groups EFG	CSA C22.2 No. 30
Class III	
Type 4, 7, 9	UL 50
Type 4X (w/ SS cover bolts)	
Class I, Zone 1, AExd IIB	UL 60079-0 / UL 60079-1
Exd IIB	CSA 60079-0 / CSA 60079-1
0539  II 2 GD Ex d II B+H <sub>2</sub> (Optional)	EN 60079-0 / EN 60079-1
IP66	IECEX UL 10.0046U

**NOTE:** Where reference is made to Class I and Class II hazardous locations, the equipment is suitable for both Division 1 and Division 2 locations.

## CERTIFICATIONS

### XJF SERIES

#### CERTIFICATIONS

Class I, Division 1 Groups B\*,C,D  
 Class II, Groups E,F,G  
 TYPE 4 (w/N4 suffix)  
 IP 66



LISTED 437S



\*N4 suffix may affect Group B approval, consult factory.

### XCE/XCEQ SERIES

#### CERTIFICATIONS

Class I, Division 1, Groups B\*,C,D  
 Class II, Groups E,F,G  
 Class III  
 TYPE 4, (w/N4 suffix)  
 TYPE 4X (w/SS cover bolts)



\*Specify Group B if required w/N4 suffix

### XCEX SERIES

#### CERTIFICATIONS

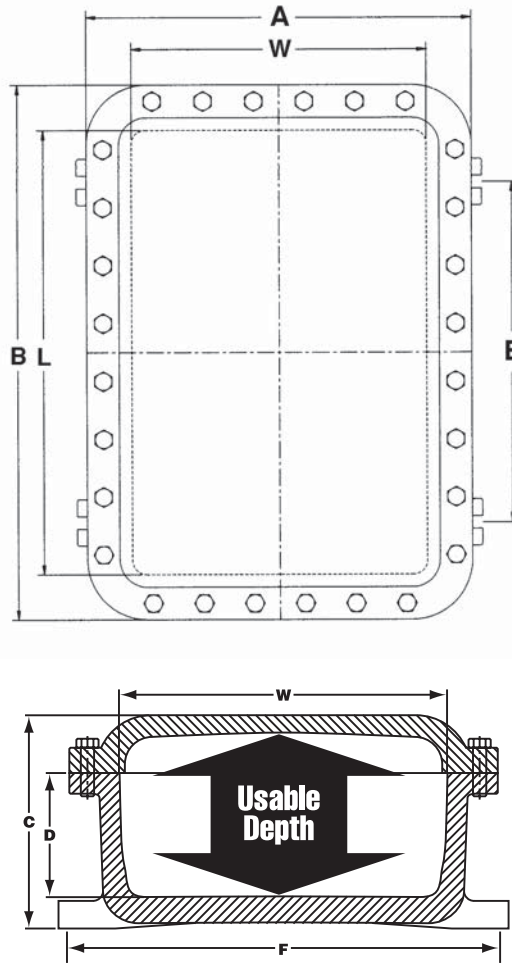
Class I, Division 1, Groups B, C,D	TYPE 4, (w/N4 suffix)
Class II, Groups E,F,G	TYPE 4X (w/SS cover bolts)
Class III	IECEx UL 10.0046U
Class I, Zone 1, AEx d IIB	
Ex d IIB	
Epsilon 07 ATEX 2251U	
0539 Ⓢ II 2GD Ex d II B (Optional)*	
Ex d IIB+H <sub>2</sub> (Optional)*	
Ex tD A21: IP 66	



\*Specify ATEX if required

**NOTE:** Where reference is made to Class I and Class II hazardous locations, the equipment is suitable for both Division 1 and Division 2 locations.





## DESIGN OPTIONS

### MOUNTING PANS Three Materials Available:

**Steel:** (XSM) Galvanized 12 gauge steel plate. The catalog number includes the steel mounting pan complete with ¼" high spacers and stainless steel mounting screws.

**Aluminum:** (XSA) Consult factory for availability.

**Phenolic:** (XSB) A special phenolic laminated material that has high mechanical and dielectric strength. It is excellent for mounting and wiring control equipment. The catalog number includes the phenolic board, ⅜" thick, complete with ¼" high spacers and stainless steel mounting screws.

- NOTES**
1. No installation charge when customer specifies factory installation of mounting pan.
  2. Enclosures are pre-drilled for mounting panel unless otherwise specified.

### HINGE SETS

Made of extruded aluminum alloy consisting of two sections, female and male (with stainless steel pin) and four stainless steel hex head bolts. Designed to allow right or left hand removable or non-removable installation. Unless specified, left hand removable hinge installation will be furnished by factory when hinged enclosures are ordered.

- NOTES**
1. Catalog numbers represent complete hinge sets necessary for enclosure assembly.
  2. Enclosures are pre-drilled for hinge kit unless otherwise specified.

# XCE SERIES & XJF

XCE/XJF Catalog #	ENCLOSURE										PANS AND HINGES							
	Inside Nom. Dimensions			Usable Depth	Overall Dimensions			Mounting Lug CL to CL		Mtg. Bolt Size	Ship Weight	Pan Catalog #			Nom. Dimensions		Steel Pan Weight	Hinge Cat #
	W	L	D		A	B	C	E	F			Steel	Alum.	Phen	W	H		
041604	4	16	4	4 3/4	7 1/4	19 1/4	6	12 1/2	6 3/4	3/8	25	XSM0416	XSA0416	XSB0416	3 1/4	15 1/4	1 1/2	XHB-2
060804	6	8	4	4 3/8	9 1/4	11 1/4	5 1/8	4 1/2	9 3/8	3/8	21	XSM0608	XSA0608	XSB0608	5 1/8	7 3/8	1	XHB-2
060805	6	8	5	5 3/8	9 1/4	11 1/4	6 1/8	4 1/2	9 3/8	3/8	23	XSM0608	XSA0608	XSB0608	5 3/8	7 3/8	1	XHB-2
060806	6	8	6	6 3/8	9 1/4	11 1/4	7 1/8	4 1/2	9 3/8	3/8	25	XSM0608	XSA0608	XSB0608	5 3/8	7 3/8	1	XHB-2
061105	6	11	5	5 7/8	9 1/4	14 1/4	7 3/8	7 1/2	9 3/8	3/8	24	XSM0611	XSA0611	XSB0611	5 3/8	10 3/8	1 1/2	XHB-2
061204	6	12	4	4 3/4	9 1/4	15 1/4	6 1/8	8 1/2	9 3/8	3/8	24	XSM0612	XSA0612	XSB0612	5 3/8	11 3/8	1 3/4	XHB-2
061206	6	12	6	6 3/4	9 1/4	15 1/4	8 1/8	8 1/2	9 3/8	3/8	29	XSM0612	XSA0612	XSB0612	5 3/8	11 3/8	1 3/4	XHB-2
061305	6	13	5	5 7/8	9 1/4	16 1/4	7 3/8	9 1/2	9 3/8	3/8	26	XSM0613	XSA0613	XSB0613	5 3/8	12 3/8	2	XHB-2
071004	7	10	4	4 3/4	10 3/8	13 3/8	6 3/8	6 1/2	9 3/4	3/8	27	XSM0710	XSA0710	XSB0710	6 3/8	9 3/4	1 1/4	XHB-2
071006	7	10	6 1/8	6 3/4	10 3/8	13 3/8	8 3/8	6 1/2	9 3/4	3/8	31	XSM0710	XSA0710	XSB0710	6 3/8	9 3/4	1 1/4	XHB-2
071805	7	18 1/4	5	5 3/4	10 3/8	21 3/8	7 3/8	14 1/2	9 3/4	3/8	55	XSM0718	XSA0718	XSB0718	6 3/8	17 3/8	2 1/2	XHB-2
080804	8	8	4	4 13/16	11 3/8	11 3/8	6 3/8	4 1/4	11	3/8	24	XSM0808	XSA0808	XSB0808	7	7	1 1/4	XHB-2
080806	8	8	6	6 13/16	11 3/8	11 3/8	8 3/8	4 1/4	11	3/8	28	XSM0808	XSA0808	XSB0808	7	7	1 1/4	XHB-2
080808	8	8	8	8 13/16	11 3/8	11 3/8	10 3/8	4 1/4	11	3/8	35	XSM0808	XSA0808	XSB0808	7	7	1 1/4	XHB-2
081004	8	10	4	4 3/4	11 3/8	13 3/8	6 1/4	6 1/2	10 3/4	3/8	30	XSM0810	XSA0810	XSB0810	7	9 3/8	1 1/2	XHB-2
081006	8	10	6	6 3/4	11 3/8	13 3/8	8 1/4	6 1/2	10 3/4	3/8	34	XSM0810	XSA0810	XSB0810	7	9 3/8	1 1/2	XHB-2
081008	8	10	8	8 3/4	11 3/8	13 3/8	10 1/4	6 1/2	10 3/4	3/8	39	XSM0810	XSA0810	XSB0810	7	9 3/8	1 1/2	XHB-2
081204	8	12	4	4 3/4	11 3/8	15 3/8	6 1/4	8 1/2	10 3/4	3/8	34	XSM0812	XSA0812	XSB0812	6 7/8	10 7/8	2 1/4	XHB-2
081206	8	12	6	6 3/4	11 3/8	15 3/8	8 1/4	8 1/2	10 3/4	3/8	42	XSM0812	XSA0812	XSB0812	6 7/8	10 7/8	2 1/4	XHB-2
081208	8	12	8	8 3/4	11 3/8	15 3/8	10 1/4	8 1/2	10 3/4	3/8	48	XSM0812	XSA0812	XSB0812	6 7/8	10 7/8	2 1/4	XHB-2
091105	9	11	5	5 3/4	12 3/8	14 3/8	7 3/8	7 1/2	12	3/8	41	XSM0911	XSA0911	XSB0911	8	10	2 1/2	XHB-2
101004	10	10	4	4 3/4	13 3/8	13 3/8	6 3/8	6 1/2	13	3/8	34	XSM1010	XSA1010	XSB1010	8 7/8	8 7/8	2 1/2	XHB-2
101006	10	10	6	6 3/4	13 3/8	13 3/8	8 3/8	6 1/2	13	3/8	44	XSM1010	XSA1010	XSB1010	8 7/8	8 7/8	2 1/2	XHB-2
101008	10	10	8	8 3/4	13 3/8	13 3/8	10 3/8	6 1/2	13	3/8	50	XSM1010	XSA1010	XSB1010	8 7/8	8 7/8	2 1/2	XHB-2
101206	10	12	6 1/4	7 1/4	13 3/8	15 3/8	8 7/8	8 1/2	13	3/8	46	XSM1012	XSA1012	XSB1012	10 7/8	8 7/8	3	XHB-2
101404	10	14	4	4 3/4	13 3/8	17 3/8	6 7/8	10 5/8	13	3/8	42	XSM1014	XSA1014	XSB1014	8 7/8	12 7/8	3 1/2	XHB-2
101406	10	14	6	6 3/4	13 3/8	17 3/8	8 7/8	10 5/8	13	3/8	49	XSM1014	XSA1014	XSB1014	8 7/8	12 7/8	3 1/2	XHB-2
101408	10	14	8	8 3/4	13 3/8	17 3/8	10 1/2	10 5/8	13	3/8	57	XSM1014	XSA1014	XSB1014	8 7/8	12 7/8	3 1/2	XHB-2
101410	10	14	10	10 3/4	13 3/8	17 3/8	12 1/2	10 5/8	13	3/8	62	XSM1014	XSA1014	XSB1014	8 7/8	12 7/8	3 1/2	XHB-2
121204	12	12	4	5	16 1/4	16 1/4	6 13/16	8 3/8	16	1/2	60	XSM1212	XSA1212	XSB1212	10 7/8	10 7/8	3 3/4	XHC-2
121206	12	12	6	7	16 1/4	16 1/4	8 13/16	8 3/8	16	1/2	68	XSM1212	XSA1212	XSB1212	10 7/8	10 7/8	3 3/4	XHC-2
121208	12	12	8	9	16 1/4	16 1/4	10 13/16	8 3/8	16	1/2	80	XSM1212	XSA1212	XSB1212	10 7/8	10 7/8	3 3/4	XHC-2
121804	12	18	4	4 3/4	16 1/4	22 1/4	6 3/4	14 1/8	16	1/2	85	XSM1218	XSA1218	XSB1218	10 1/2	16 1/2	5 1/2	XHC-2
121806	12	18	6	6 3/4	16 1/4	22 1/4	8 3/4	14 1/8	16	1/2	93	XSM1218	XSA1218	XSB1218	10 1/2	16 1/2	5 1/2	XHC-2
121808	12	18	8	8 3/4	16 1/4	22 1/4	10 3/4	14 1/8	16	1/2	101	XSM1218	XSA1218	XSB1218	10 1/2	16 1/2	5 1/2	XHC-2
122005	12	20	5	5 3/4	16 1/4	24 1/4	8 3/8	14 3/8	16	1/2	104	XSM1220	XSA1220	XSB1220	11	19	6 1/2	XHC-2
122404	12	24	4	4 3/8	16 1/4	24 1/4	7 1/4	18 3/8	16	1/2	115	XSM1224	XSA1224	XSB1224	11	23	8	XHC-2
122406	12	24	6	6 13/16	16 1/4	28 1/4	9 1/4	18 3/8	16	1/2	127	XSM1224	XSA1224	XSB1224	11	23	8	XHC-2
122408	12	24	8	8 13/16	16 1/4	28 1/4	11 1/4	18 3/8	16	1/2	142	XSM1224	XSA1224	XSB1224	11	23	8	XHC-2
122410	12	24	10	10 13/16	16 1/4	28 1/4	13 1/4	18 3/8	16	1/2	154	XSM1224	XSA1224	XSB1224	11	23	8	XHC-2

- NOTES**
- To indicate Quad-Lead bolt option, add suffix "Q" after XCE. (Not available on XCEX models.)
  - Operators, windows and hinges are ordered separately.
  - XCEX Ex d approval optional.
  - To indicate Type 4 / IP66 option, add suffix "N4" after size (catalog number).
  - Where reference is made to Class I and Class II hazardous locations, the equipment is suitable for both Division 1 and Division 2 locations.
  - Enclosures are pre-drilled for mounting panel and hinge kit unless otherwise specified.

EXPLOSIONPROOF ENCLOSURES  
**XCE SERIES & XJF**

XCE/XJF Catalog #	ENCLOSURE											PANS AND HINGES						
	Inside Nom. Dimensions			Usable Depth	Overall Dimensions			Mounting Lug CL to CL		Mtg. Bolt Size	Ship Weight	Pan Catalog #			Nom. Dimensions		Steel Pan Weight	Hinge Cat #
	W	L	D		A	B	C	E	F			Steel	Alum.	Phen	W	H		
123006	12	30	6	6 1/16	16 3/4	34 1/4	9 5/8	23	16	1/2	180	XSM1230	XSA1230	XSB1230	10 3/4	28 3/4	9 3/4	XHC-2
123604	12	36	4	4 1/16	16 1/4	40 1/4	7 1/16	29	16	1/2	200	XSM1236	XSA1236	XSB1236	10 3/4	34 3/4	11 3/4	XHC-3
123606	12	36	6	6 1/16	16 1/4	40 1/4	9 1/16	29	16	1/2	212	XSM1236	XSA1236	XSB1236	10 3/4	34 3/4	11 3/4	XHD-3
123608	12	36	8	8 1/16	16 1/4	40 1/4	11 1/16	29	16	1/2	232	XSM1236	XSA1236	XSB1236	10 3/4	34 3/4	11 3/4	XHD-3
124608	12	46	8	8 1/16	16 1/4	50 1/4	11 1/16	39	16	5/8	280	XSM1246	XSA1246	XSB1246	10 3/4	44 3/4	15	XHD-4
141404	14	14	4	5	18 1/4	18 1/4	7 1/8	9 3/4	17 3/4	1/2	91	XSM1414	XSA1414	XSB1414	12 7/8	12 7/8	5	XHC-2
141406	14	14	6	7	18 1/4	18 1/4	9 1/4	9 3/4	17 3/4	1/2	97	XSM1414	XSA1414	XSB1414	12 7/8	12 7/8	5	XHC-2
141408	14	14	8	9	18 1/4	18 1/4	11 1/8	9 3/4	17 3/4	1/2	103	XSM1414	XSA1414	XSB1414	12 7/8	12 7/8	5	XHC-2
142210	14	22	10	11 1/4	18 1/4	26 1/4	13 3/8	16 1/2	17 3/4	1/2	181	XSM1422	XSA1422	XSB1422	12 7/8	20 7/8	8	XHD-2
142213	14	22	10	13	18 1/4	26 1/4	15 1/8	16 1/2	17 3/4	1/2	235	XSM1422	XSA1422	XSB1422	12 7/8	20 7/8	8	XHD-2
142806	14	28	6	7 13/16	18 1/4	32 1/4	9 9/16	22 1/2	17 3/4	1/2	120	XSM1428	XSA1428	XSB1428	12 7/8	26 7/8	10 3/4	XHF-2
161604	16	16	4	5 3/8	20 7/8	20 7/8	7 15/16	11	19 3/4	5/8	123	XSM1616	XSA1616	XSB1616	14 3/4	14 3/4	6 3/4	XHD-2
161606	16	16	6	7 3/8	20 7/8	20 7/8	9 15/16	11	19 3/4	5/8	135	XSM1616	XSA1616	XSB1616	14 3/4	14 3/4	6 3/4	XHD-2
161608	16	16	8	9 3/8	20 7/8	20 7/8	11 15/16	11	19 3/4	5/8	156	XSM1616	XSA1616	XSB1616	14 3/4	14 3/4	6 3/4	XHD-2
162406	16	24	6	7 13/16	20 7/8	28 7/8	10 3/8	18 3/8	19 3/4	5/8	190	XSM1624	XSA1624	XSB1624	14 1/2	22 1/2	10 1/4	XHF-2
162408	16	24	8	9 13/16	20 7/8	28 7/8	12 3/8	18 3/8	19 3/4	5/8	209	XSM1624	XSA1624	XSB1624	14 1/2	22 1/2	10 1/4	XHF-2
162410	16	24	10	11 13/16	20 7/8	28 7/8	14 3/8	18 3/8	19 3/4	5/8	225	XSM1624	XSA1624	XSB1624	14 1/2	22 1/2	10 1/4	XHF-2
162806	16	28	6	6 13/16	20 1/2	32 15/16	9 1/2	22 1/2	19 3/4	5/8	220	XSM1628	XSA1628	XSB1628	26 1/2	14 1/2	12	XHF-2
163010	16	30	10	11 1/8	20 1/2	34 1/2	13 3/8	23	19 3/4	5/8	300	XSM1616	XSA1616	XSB1616	14 3/4	14 3/4	6 3/4	XHD-2
63406	16	34	6	6 15/16	20 1/2	38 1/2	9 1/2	27	19 3/4	5/8	277	XSM1630	XSA1630	XSB1630	14 1/2	28 1/2	12 1/2	XHF-2
164610	16	46	10	11 13/16	20 7/8	50 7/8	14 9/16	39	19 3/4	5/8	390	XSM1646	XSA1646	XSB1646	14 1/2	44 1/2	20 1/4	XHF-4
181804	18	18	4	5 13/16	22 7/8	22 7/8	8 1/2	13	21 3/4	5/8	154	XSM1818	XSA1818	XSB1818	16 3/4	16 3/4	8 3/4	XHF-2
181806	18	18	6	7 13/16	22 7/8	22 7/8	10 1/2	13	21 3/4	5/8	177	XSM1818	XSA1818	XSB1818	16 3/4	16 3/4	8 3/4	XHF-2
181808	18	18	8	9 13/16	22 7/8	22 7/8	12 1/2	13	21 3/4	5/8	200	XSM1818	XSA1818	XSB1818	16 3/4	16 3/4	8 3/4	XHF-2
182406	18	24	6	7 7/16	22 7/8	28 7/8	10 13/16	18 3/8	21 3/4	5/8	226	XSM1824	XSA1824	XSB1824	16 1/2	22 1/2	11 1/2	XHF-2
182408	18	24	8	9 7/16	22 7/8	28 7/8	12 13/16	18 3/8	21 3/4	5/8	239	XSM1824	XSA1824	XSB1824	16 1/2	22 1/2	11 1/2	XHF-2
182410	18	24	10	11 7/16	22 7/8	28 7/8	14 13/16	18 3/8	21 3/4	5/8	260	XSM1824	XSA1824	XSB1824	16 1/2	22 1/2	11 1/2	XHF-2
183008	18	30	8	9 3/8	22 7/8	34 7/8	12 13/16	23	21 3/4	5/8	293	XSM1830	XSA1830	XSB1830	16 1/2	28 1/2	14 3/4	XHF-2
183608	18	36	8	9 3/8	22 7/8	40 7/8	12 7/8	29	21 3/4	5/8	318	XSM1836	XSA1836	XSB1836	16 1/2	34 1/2	18	XHF-3
183610	18	36	10	11 3/8	22 7/8	40 7/8	14 7/8	29	21 3/4	5/8	340	XSM1836	XSA1836	XSB1836	16 1/2	34 1/2	18	XHF-3
203606*	20	36	6	7 3/8	24 7/8	40 7/8	10 7/8	29	24	5/8	385	XSM1616	XSA1616	XSB1616	14 3/4	14 3/4	6 3/4	XHD-2
203612*	20	36	12	12	25 3/8	41 3/8	15	29	24	5/8	405	XSM2048	XSA2048	XSB2048	46 1/2	18 1/2	27	XHF-4
204806***	20	48	6	7 7/8	24 7/8	52 7/8	10 7/8	41	24	5/8	430	XSM2424	XSA2424	XSB2424	22	22	15 1/4	XHF-2
204812*	20	48	12	14 1/4	25 3/8	53 3/8	15	41	24	5/8	555	XSM2424	XSA2424	XSB2424	22	22	15 1/4	XHF-2
242408	24	24	8	9 7/16	28 7/8	28 7/8	12 7/16	18 3/8	28	5/8	302	XSM2424	XSA2424	XSB2424	22	22	15 1/4	XHF-2
242410	24	24	10	11 7/16	28 7/8	28 7/8	14 7/16	18 3/8	28	5/8	330	XSM2424	XSA2424	XSB2424	22	22	15 1/4	XHF-2
243008	24	30	8	9 1/4	28 7/8	34 7/8	12 15/16	23	28	5/8	356	XSM2430	XSA2430	XSB2430	22	28	19 1/4	XHF-2
243608	24	36	8	9 1/4	28 7/8	40 7/8	12 7/16	29	28	5/8	408	XSM2436	XSA2436	XSB2436	22	34	23 1/2	XHF-3
243610***	24	36	10	11 1/4	28 7/8	40 7/8	14 7/8	29	28	5/8	433	XSM2436	XSA2436	XSB2436	22	34	23 1/2	XHF-3
323612*	32	36	12	12	37 3/4	41 3/4	15 1/2	29	36 1/8	5/8	691	XSM3236	XSA3236	XSB3236	29	33	28 3/4	XHF-3

**NOTES**

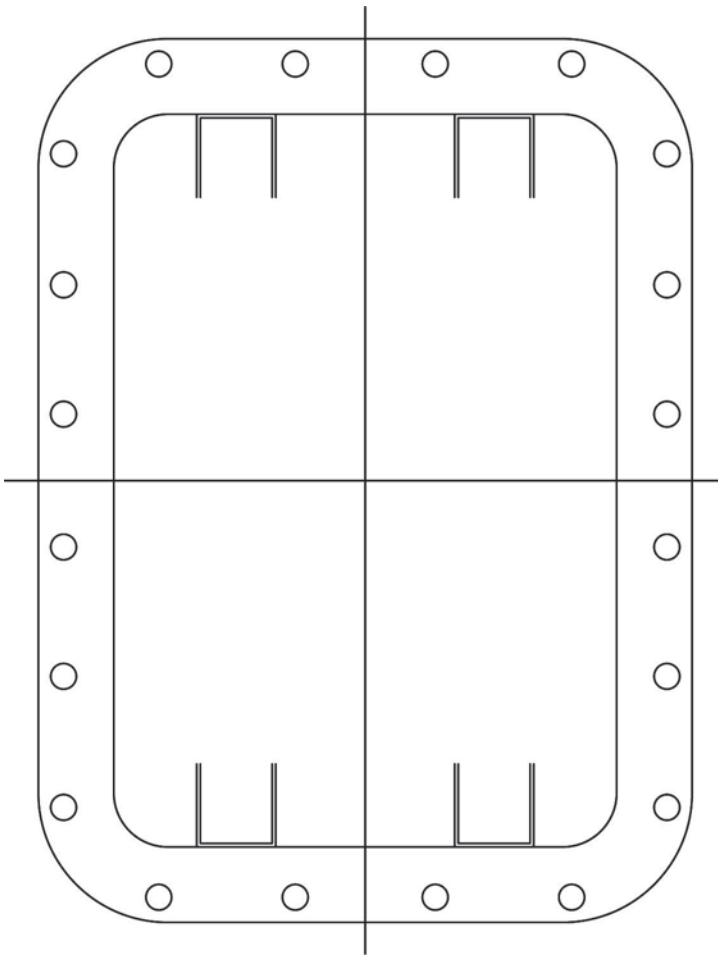
- To indicate Quad-Lead bolt option, add suffix "Q" after XCE. (Not available on XCEX models.)
- Operators, windows and hinges are ordered separately.
- Ex d approval optional on XCEX Series only.
- To indicate Type 4 / IP66 option, add suffix "N4" after size (catalog number).
- Where reference is made to Class I and Class II hazardous locations, the equipment is suitable for both Division 1 and Division 2 locations.
- Enclosures are pre-drilled for mounting panel and hinge kit unless otherwise specified.

#Lid Lifter Cover Assist standard on all XCE enclosures 18 x 24 and higher  
 \*\*ATEX approval but no Domestic UL & cUL approvals  
 \*\*\*This unit has limited approval dependent on number of entries  
 Some XJF Series enclosures do not have UL approval - consult factory.

EXPLOSIONPROOF  
 XCE/XJF Enclosures

## Customer Design Sheets

### Cover Layout



DIMENSION ALL MODIFICATIONS  
FROM CENTER LINES OF COVER

ATEX /IEC  
DEMKO U Cert.  
REF. DS483

UL  
UL APPROVED  
REF. DS361 & B301

CSA  
CSA APPROVED  
REF. DS327 & B301

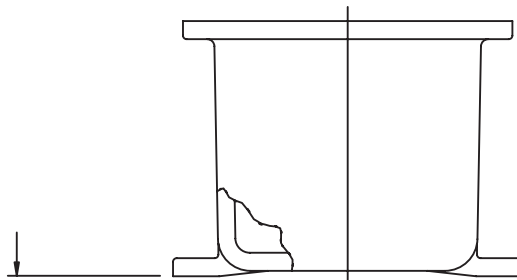
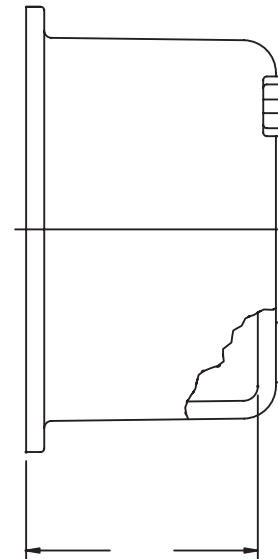
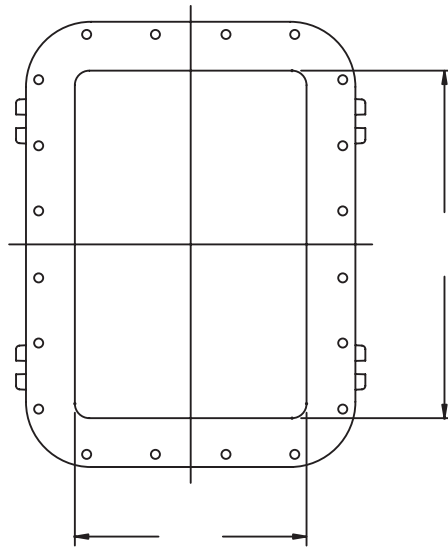
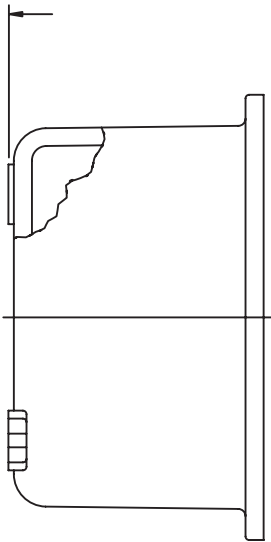
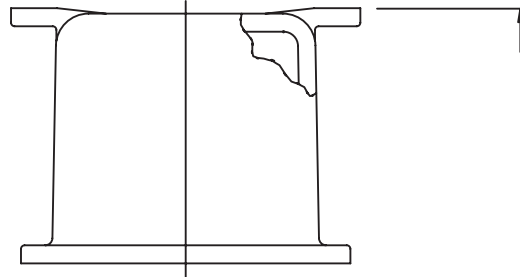
**HINGES**  
 LEFT HAND  
 RIGHT HAND  
 LONG SIDE  
 SHORT SIDE  
 NON REMOVABLE

NEMA 4/ IP66  
N4 GROOVE

CAT #: X \_\_\_\_\_

## Customer Design Sheets

### Box Layout



**ATEX (CENELEC)/IEC**

- DEMKO U Cert.  
REF.DS483

**UL**

- UL APPROVED  
REF.DS248 & B301

**CSA**

- CSA APPROVED  
REF. B301

**MTG. PANS**

- XSA PAN
- XSB PAN
- XSM PAN

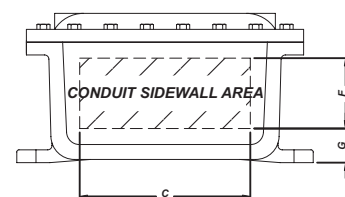
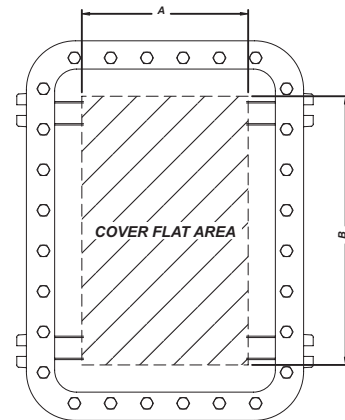
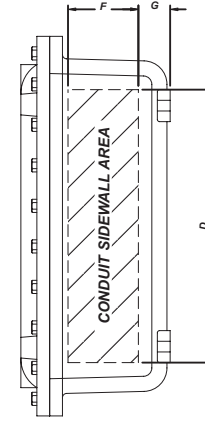
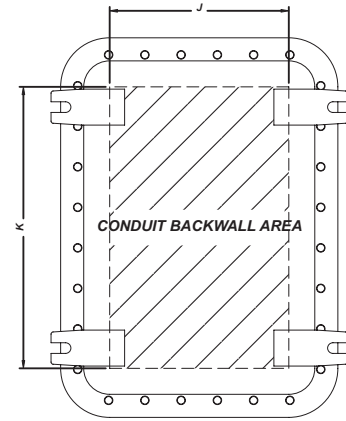
**HINGES**

- LEFT HAND
- RIGHT HAND
- LONG SIDE
- SHORT SIDE
- NON REMOVABLE

DIMENSION ALL MODIFICATIONS FROM CENTER LINES AND BOTTOM OF MOUNTING LUGS WHENEVER POSSIBLE.

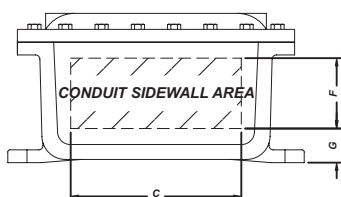
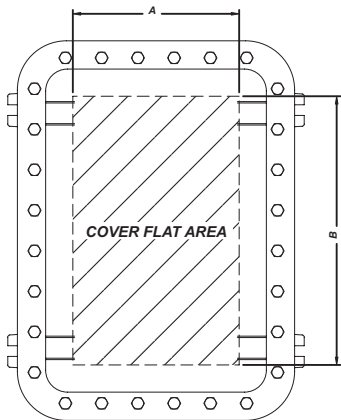
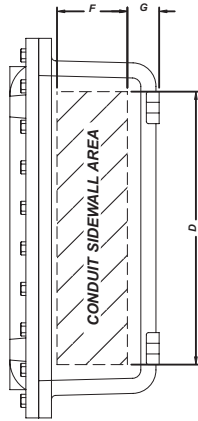
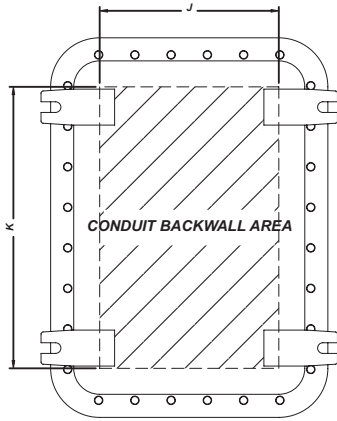
## Cover & Sidewall Area

Enclosure Series	COVER FLAT		CONDUIT - SIDEWALL				BACKWALL	
	A	B	C	D	F	G	J	K
041604	2 1/8	14 1/8	2 11/16	14 11/16	2 7/8	1	3 1/8	15 1/8
060804	3 7/8	5 7/8	4 11/16	6 11/16	2 7/8	1	5 1/8	7 1/8
060805	3 7/8	5 7/8	4 5/8	6 5/8	3 7/8	1	5 1/16	7 1/16
060806	3 7/8	5 7/8	4 9/16	6 9/16	4 7/8	1	4 15/16	6 15/16
061105	3 7/8	8 7/8	4 5/8	9 5/8	3 3/8	1	5 1/8	10 1/8
061204	3 7/8	9 7/8	4 11/16	10 11/16	2 7/8	1	5 1/8	11 1/8
061206	3 7/8	9 7/8	4 9/16	10 9/16	4 9/16	1 5/16	4 7/16	10 7/16
061305	3 7/8	10 7/8	4 5/8	11 5/8	3 5/8	1	5 1/8	12 1/8
071004	4 7/8	7 7/8	5 5/8	8 5/8	2 1/2	1 3/8	5 5/8	8 5/8
071006	4 7/8	7 7/8	5 9/16	8 9/16	4 5/8	1 3/8	5 9/16	8 9/16
071805	5	16 1/4	5 7/16	16 11/16	3 1/2	1 3/8	5 7/16	16 11/16
080804	5 7/8	5 7/8	6 5/8	6 5/8	2 11/16	1 1/8	7 1/8	7 1/8
080806	5 7/8	5 7/8	6 9/16	6 9/16	4 11/16	1 1/8	7 1/16	7 1/16
080808	5 7/8	5 7/8	6 7/16	6 7/16	6 11/16	1 1/8	6 15/16	6 15/16
081004	5 7/8	7 7/8	6 5/8	8 5/8	2 1/2	1 3/8	6 5/8	8 5/8
081006	5 7/8	7 7/8	6 9/16	8 9/16	4 1/2	1 3/8	6 9/16	8 9/16
081008	5 7/8	7 7/8	6 7/16	8 7/16	6 1/2	1 3/8	6 7/16	8 7/16
081204	5 7/8	9 7/8	6 5/8	10 5/8	2 1/2	1 3/8	6 5/8	10 5/8
081206	5 7/8	9 7/8	6 9/16	10 9/16	4 1/2	1 3/8	6 9/16	10 9/16
081208	5 7/8	9 7/8	6 7/16	10 7/16	6 1/2	1 3/8	6 7/16	10 7/16
091105	6 7/8	8 7/8	7 5/16	9 5/16	3 3/8	1 9/16	7 5/16	9 5/16
101004	7 7/8	7 7/8	8 3/8	8 3/8	2 3/8	1 9/16	8 3/8	8 3/8
101006	7 7/8	7 7/8	8 5/16	8 5/16	4 3/8	1 9/16	8 5/16	8 5/16
101008	7 7/8	7 7/8	8 3/16	8 3/16	6 3/8	1 9/16	8 3/16	8 3/16
101206	7 3/4	9 3/4	8 1/4	10 1/4	4 5/8	1 9/16	8 1/4	10 1/4
101404	7 7/8	11 7/8	8 3/8	12 3/8	2 3/8	1 9/16	8 3/8	12 3/8
101406	7 7/8	11 7/8	8 5/16	12 5/16	4 3/8	1 9/16	8 5/16	12 5/16
101406	7 7/8	11 7/8	8 1/4	12 1/4	6 1/4	1 3/4	7 5/8	11 5/8
101408	7 7/8	11 7/8	8 1/16	12 1/16	6 1/4	1 3/4	7 5/8	11 5/8
121204	9 3/4	9 3/4	10	10	2 1/8	1 7/8	10	10
121206	9 3/4	9 3/4	9 13/16	9 13/16	4 1/8	1 7/8	9 13/16	9 13/16
121208	9 3/4	9 3/4	9 11/16	9 11/16	6 1/8	1 7/8	9 11/16	9 11/16
121804	9 3/4	15 3/4	10 1/8	16 1/8	2 1/8	1 7/8	10 1/8	16 1/8
121806	9 3/4	15 3/4	9 13/16	15 13/16	4 1/8	1 7/8	9 13/16	15 13/16
121808	9 3/4	15 3/4	9 11/16	15 11/16	6 1/8	1 7/8	9 11/16	15 11/16
122005	9 3/4	17 3/4	10 1/16	18 1/16	3 3/16	2	10 1/16	18 1/16
122404	9 5/8	21 5/8	10 1/8	22 1/8	2 1/8	2	10 1/8	22 1/8



EXPLOSIONPROOF  
XCE/XJF Enclosures

## Cover & Sidewall Area



Enclosure Series	COVER FLAT		CONDUIT - SIDEWALL				BACKWALL	
	A	B	C	D	F	G	J	K
122408	9 5/8	21 5/8	9 15/16	21 15/16	6 1/8	2	9 15/16	21 15/16
122410	9 5/8	21 5/8	9 13/16	21 13/16	8 1/8	2	9 13/16	21 13/16
123006	9 5/8	27 7/8	10 1/16	28 1/16	4	2 5/8	10 1/16	28 1/16
123604	9 5/8	33 7/8	10 1/8	34 1/8	2	2 3/8	10 1/8	34 1/8
123606	9 5/8	33 7/8	10 1/16	34 1/16	4	2 3/8	10 1/16	34 1/16
123608	9 5/8	33 7/8	9 15/16	33 15/16	6	2 3/8	9 15/16	33 15/16
124608	9 5/8	42 1/4	9 7/16	43 7/16	5 5/8	2 11/16	9 3/16	43 3/16
141404	11	11	12 1/8	12 1/18	1 3/4	2 1/8	11 5/8	11 5/8
141406	11	11	12 1/16	12 1/16	3 3/4	2 1/8	11 9/16	11 9/16
141408	11	11	11 15/16	11 15/16	5 3/4	2 1/8	11 7/16	11 7/16
142806	11	25	11 5/8	25 5/8	4	2	11 5/8	25 5/8
161604	12 1/2	12 1/2	14 1/8	14 1/8	2	2 1/16	14 1/8	14 1/8
161606	12 1/2	12 1/2	14 1/16	14 1/16	4	2 1/16	14 1/16	14 1/16
161608	12 1/2	12 1/2	13 15/16	13 15/16	6	2 1/16	13 15/16	13 15/16
162406	12 1/2	20 1/2	13 1/2	21 1/2	3 7/8	2 5/16	13 1/2	21 1/2
162408	12 1/2	20 1/2	13 3/8	21 3/8	5 7/8	2 5/16	13 3/8	21 3/8
162410	12 1/2	20 1/2	13 1/4	21 1/4	7 7/8	2 5/16	13 1/4	21 1/4
162806	13 1/4	25 1/4	14 1/16	26 1/16	3 11/16	2 3/16	14 1/16	26 1/16
163010	13 7/8	27 7/8	14 1/2	28 1/2	8 1/4	2 1/8	13 1/2	27 1/2
163406	13 3/8	31 3/8	14 1/16	32 1/16	3 15/16	2 5/16	14 1/16	32 1/16
164610	12 1/2	42 1/4	13 7/8	43 7/8	7 7/8	2 7/16	13 7/8	43 7/8
181804	14 1/4	14 1/4	16 3/16	16 3/16	1 7/8	2 5/16	16 3/16	16 3/16
181806	14 1/4	14 1/4	16 1/16	16 1/16	3 7/8	2 5/16	16 1/16	16 1/16
181808	14 1/4	14 1/4	15 15/16	15 15/16	5 7/8	2 5/16	15 15/16	15 15/16
182406	14 1/4	20 1/4	15 7/16	21 7/16	3 7/8	2 1/2	15 7/16	21 7/16
182408	14 1/4	20 1/4	15 3/8	21 3/8	5 7/8	2 1/2	15 3/8	21 3/8
182410	14 1/4	20 1/4	15 1/4	21 1/4	7 7/8	2 1/2	15 1/4	21 1/4
183008	14 1/4	26 1/4	15 3/8	27 3/8	5 7/8	2 1/2	15 3/8	27 3/8
183608	14 1/4	32 1/4	15 3/8	33 3/8	5 7/8	2 1/2	15 3/8	33 3/8
183610	14 1/4	32 1/4	15 1/4	33 1/4	7 7/8	2 1/2	15 1/4	33 1/4
203606	16 3/8	32 3/8	17 9/16	33 9/16	3 7/8	2 7/16	17 1/2	33 3/8
203612	16 3/8	32 3/8	17 9/16	33 9/16	3 7/8	2 7/16	17 1/2	33 3/8
204806	16 3/8	44 3/8	17 3/8	45 3/8	3 7/8	2 7/16	17 1/2	45 3/8
204812	16 3/8	44 3/8	17 3/8	45 3/8	3 7/8	2 7/16	17 1/2	45 3/8
242408	20 1/4	20 1/4	20 7/8	20 7/8	5 5/8	2 9/16	20 7/8	20 7/8
242410	20 1/4	20 1/4	20 3/4	20 3/4	7 5/8	2 9/16	20 3/4	20 3/4
243008	20 1/4	26 1/4	20 5/8	26 5/8	5 7/8	2 7/16	21 3/8	27 3/8
243608	20 1/4	32 1/4	21 3/16	33 3/16	5 7/8	2 1/2	21 15/16	33 15/16
243610	20 1/4	32 1/4	21 1/8	33 1/8	7 7/8	2 3/4	20 7/8	32 7/8
323612	28 3/4	32 3/4	30	34	3 3/8	2 3/4	28 7/8	32 7/8

## Minimum Spacing for Operators in Covers

Catalog #	STANDARD OPERATORS				MINIATURE OPERATORS				COVER WALL
	Max #	Max Rows	Max Per Row	Spacing CL to CL	Max #	Max Rows	Max Per Row	Spacing CL to CL	Thickness
XCE041604	5	5	1	2 ½	13	13	1	1	½
XCE060804	2	2	1	2 ½	8	4	2	1	½
XCE060805	2	2	1	2 ½	8	4	2	1	½
XCE060806	2	2	1	2 ½	8	4	2	1	½
XCE061105	3	3	1	2 ½	14	7	2	1	½
XCE061204	4	4	1	2 ½	16	8	2	1	⅝
XCE061206	4	4	1	2 ½	16	8	2	1	⅝
XCE061305	4	4	1	2 ½	18	9	2	1	½
XCE071004	6	3	2	2 ½	18	6	3	1	⅝
XCE071006	6	3	2	2 ½	18	6	3	1	⅝
XCE071805	12	6	2	2 ½	45	15	3	1	⅝
XCE080804	4	2	2	2 ½	16	4	4	1	1 ¼
XCE080806	4	2	2	2 ½	16	4	4	1	1 ¼
XCE080808	4	2	2	2 ½	16	4	4	1	1 ¼
XCE081004	6	3	2	2 ½	24	6	4	1	1 ¼
XCE081006	6	3	2	2 ½	24	6	4	1	1 ¼
XCE081008	6	3	2	2 ½	24	6	4	1	1 ¼
XCE081204	8	4	2	2 ½	32	8	4	1	1 ¼
XCE081206	8	4	2	2 ½	32	8	4	1	1 ¼
XCE081208	8	4	2	2 ½	32	8	4	1	1 ¼
XCE091105	6	3	2	2 ½	35	7	5	1	1 ¼
XCE101004	9	3	3	2 ½	36	6	6	1	1 ¼
XCE101006	9	3	3	2 ½	36	6	6	1	1 ¼
XCE101008	9	3	3	2 ½	36	6	6	1	1 ¼
XCE101206	12	4	3	2 ½	48	8	6	1	¾
XCE101406	12	4	3	2 ½	50	10	6	1	¾
XCE101408	12	4	3	2 ½	50	10	6	1	¾
XCE101410	12	4	3	2 ½	50	10	6	1	¾
XCE121204	9	3	3	3	50	8	8	1	⅞
XCE121206	9	3	3	3	50	8	8	1	⅞
XCE121208	9	3	3	3	50	8	8	1	⅞
XCE121804	15	5	3	3	50	14	8	1	1 ⅝
XCE121806	15	5	3	3	50	14	8	1	1 ⅝
XCE121808	15	5	3	3	50	14	8	1	1 ⅝
XCE122005	18	6	3	3	50	16	8	1	1 ⅝
XCE122404	21	7	3	3	50	20	8	1	1 ⅝
XCE122406	21	7	3	3	50	20	8	1	1 ⅝

**NOTE** For closer spacing consult factory for details. Hydro test may be necessary for closer hole spacing.



## Minimum Spacing for Operators in Covers

Catalog #	STANDARD OPERATORS				MINIATURE OPERATORS				COVER
	Max #	Max Rows	Max Per Row	Spacing CL to CL	Max #	Max Rows	Max Per Row	Spacing CL to CL	Thickness
XCE122408	21	7	3	3	50	20	8	1	1 ½
XCE122410	21	7	3	3	50	20	8	1	1 ½
XCE123006	27	9	3	3	50	26	8	1	1 ¾
XCE123604	33	11	3	3	50	32	8	1	1 ¾
XCE123606	33	11	3	3	50	32	8	1	1 ¾
XCE123608	33	11	3	3	50	32	8	1	1 ¾
XCE124608	42	14	3	3	50	41	8	1	1 ¼
XCE141404	16	4	4	3	50	10	10	1	¾
XCE141406	16	4	4	3	50	10	10	1	¾
XCE141408	16	4	4	3	50	10	10	1	¾
XCE142210	24	6	4	3	50	18	10	1	1 ½
XCE142213	24	6	4	3	50	18	10	1	1 ½
XCE142806	32	8	4	3	50	24	10	1	1 ½
XCE161604	16	4	4	3 ½	50	11	11	1	¾
XCE161606	16	4	4	3 ½	50	11	11	1	¾
XCE161608	16	4	4	3 ½	50	11	1	1	¾
XCE162406	24	6	4	3 ½	50	19	11	1	¾
XCE162408	24	6	4	3 ½	50	19	11	1	¾
XCE162410	24	6	4	3 ½	50	19	11	1	¾
XCE162806	28	7	4	3 ½	50	24	11	1	1 ¼
XCE163010	32	8	4	3 ½	50	24	11	1	1 ¼
XCE163406	36	9	4	3 ½	50	30	11	1	1 ¼
XCE164610	48	12	4	3 ½	50	41	11	1	1
XCE181804	36	6	6	2 ½	50	13	13	1	1
XCE181806	36	6	6	2 ½	50	13	13	1	1
XCE181808	36	6	6	2 ½	50	13	13	1	1
XCE182406	24	6	4	3 ½	50	19	13	1	1 ½
XCE182408	24	6	4	3 ½	50	19	13	1	1 ½
XCE182410	24	6	4	3 ½	50	19	13	1	1 ½
XCE183008	32	8	4	3 ½	50	25	13	1	1 ½
XCE183608	36	9	4	3 ½	50	31	13	1	1 ¾
XCE183610	36	9	4	3 ½	50	31	13	1	1 ¾
XCE203606*	45	9	5	3 ½	50	31	15	1	1 ¾
XCE203612*	45	9	5	3 ½	50	31	15	1	1 ¾
XCE204806*	65	13	5	3 ½	50	43	15	1	1
XCE204812*	65	13	5	3 ½	50	43	15	1	1
XCE242408	36	6	6	3 ½	50	19	19	1	1 ½
XCE242410	36	6	6	3 ½	50	19	19	1	1 ½
XCE243008	42	7	6	3 ½	50	25	19	1	1 ¾
XCE243608	54	9	6	3 ½	50	31	19	1	1 ¾
XCE243610	54	9	6	3 ½	50	31	19	1	1 ¾
XCE323612**	72	9	8	3 ½	50	31	27	1	1 ¾

**NOTE** For closer spacing consult factory for details. Hydro test may be necessary for closer hole spacing.

\* ATEX approval but no Domestic UL & cUL approvals

\*\* Consult factory

# Conduit Drilling and Tapping Guidelines

When drilling & tapping enclosures for conduit, proper installation requires compliance with the following:

1. Must be tapped with at least 5 full NPT threads in enclosure back or sides only; min. ½" conduit size for XJF and XCE series.
2. Depth of NPT holes must be plus ½ turn min. to plus 2 turns max. past standard NPT plug gage notch.
3. Inner end of conduit openings shall be smooth and well-rounded.

**TABLE I**

THREAD SIZE OF CONDUIT	MINIMUM WALL THICKNESS AT CONDUIT ENTRANCE EXCLUDING XCEX
Inches (NPT)	Explosionproof
½ - ¾	¾ inch
1 - 2	7/16 inch
2 ½ - 5	¾ inch

**TABLE II**

Conduit size, inches (NPT) / metric	½ / m16	¾ / m16	1 / m25	1¼ / m32	1½ / m40	2 / m56	2 ½ / m 63	3 / m75	3 ½	4	5
Minimum Distance from conduit CL to inside corner or back of box	1 5/16	1 7/16	1 1/16	1 ¾	1 7/8	2 1/8	2 3/8	2 11/16	2 15/16	3 ¼	3 7/8
Approximate diameter of union	1 7/8	1 7/8	2 1/16	2 7/8	3 ¼	3 7/8	4 7/8	5 ½	6	6 ½	7 ½

**TABLE III**

SIZE	5	4	3 ½	3	2 ½	2	1 ½	1 ¼	1	¾	½
½ / m16	4 ½	3 5/8	3 3/8	3	2 5/8	2 3/8	2	1 7/8	1 ¾	1 5/8	1 ½
¾ / m20	4 ¾	3 ¾	3 ½	3 3/8	2 ¾	2 ½	2 1/8	2	1 7/8	1 ¾	
1 / m25	4 7/8	4	3 5/8	3 ¼	3	2 5/8	2 3/8	2 ¼	2		
1 ¼ / m32	5 1/8	4 1/8	3 7/8	3 ½	3 1/8	2 7/8	2 ½	2 3/8			
1 ½ / m40	5 ½	4 ¼	4	3 5/8	3 ¼	3	2 5/8				
2 / m50	5 ¾	4 5/8	4 ¼	3 7/8	3 5/8	3 ¼					
2 ½ / m63	6	4 7/8	4 5/8	4 ¼	3 7/8						
3 / m75	6 ¼	5 3/8	5	4 5/8							
3 ½	6 ½	5 5/8	5 ¼								
4	6 ¾	5 7/8									
5	7 ¼										

- NOTES**
1. This information is compiled from data which we believe is reliable and is given in good faith. Since the methods of application and conditions under which our products are used are beyond our control, we are not able to guarantee the application and/or use of same. The user assumes all risks and liability in connection with the application and use of our products.
  2. Dimensions are in inches.
  3. Metric threads available from factory for most applications – Consult Factory.
  4. Consult Factory for special spacing arrangements. Hydro test may be required.

# Auxiliary Device Drilling & Tapping Guidelines

## Spacing For Auxiliary Devices Installed in Box Walls Of Control Panel Enclosures Used In Hazardous Locations.

When using an Auxiliary Device in the box wall of an enclosure used in hazardous locations, proper installation requires compliance with the following:

1. A minimum of (5) thread engagement, class 2 fit, required for group C & D applications.  
 A minimum of (7) thread engagement, class 2 fit, required for group B applications.
2. Table I shows minimum box wall thickness for Auxiliary Device threads.

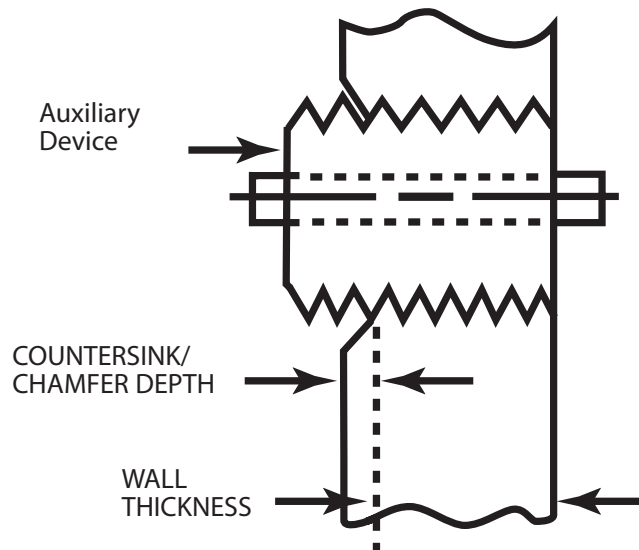
**TABLE I**

REQUIRED MINIMUM BOX WALL THICKNESS				
Thread Size (In.)	Group C & D min. (5) thread engagement	Group B min. (7) thread engagement	Typical Auxiliary Devices	Drill Dia.
½ -14 NPSM	¾ Inch	½ Inch		.747/.759
¾ -14 NPSM	¾ Inch	½ Inch	XBO, XHPB, XHSS, Standard Operators	.958/.970
1 -11 ½ NPSM	7/16 Inch	5/8 Inch	XCBH Large Handle Assembly	1.201/1.211
¾ - 18 NPSM	5/32 Inch	13/32 Inch	XCBH Small Handle Assembly	.603/.612
¾ - 16 UNC	¾ Inch	7/16 Inch	XMOB, XMOSS, Mini Operators	5/16

3. If Auxiliary Device contains undercut in engaging threaded section, the minimum wall thickness shown in Table I must increase to maintain the minimum required thread engagement. (Fig. A)

(continued next page)

**FIG. A**  
SEE NOTE 3



## Auxiliary Device Drilling & Tapping Guidelines

### Spacing For Auxiliary Devices Installed in Box Walls Of Control Panel Enclosures Used In Hazardous Locations.

When using an Auxiliary Device in the box wall of an enclosure used in hazardous locations, proper installation requires compliance with the following (continued from previous page):

- Table II provides the minimum distance an Auxiliary Device center can be placed from inside corner or back of box.

**TABLE II**

	3/8 - 16 UNC	3/8 NPSM	1/2 NPSM	3/4 NPSM	1 NPSM
Minimum Distance from auxiliary Device CL to corner or back of box	1 1/2	1 5/8	1 3/4	1 7/8	2

- Table III shows minimum spacing between conduit and Auxiliary Device entrances.

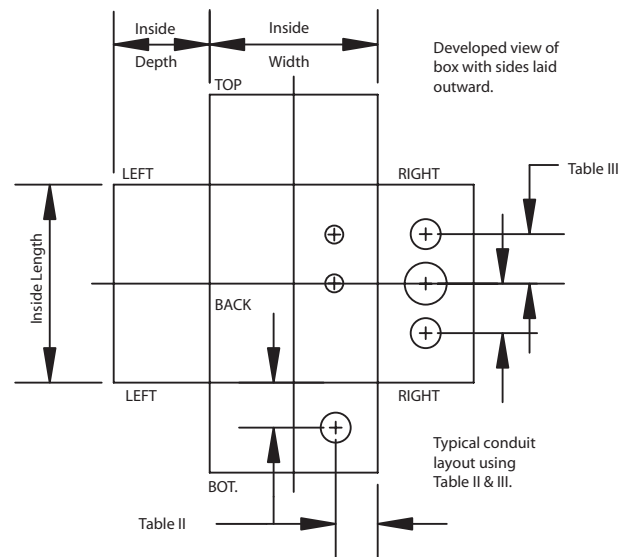
**TABLE III**

AUXILIARY DEVICE THREAD (In.)	5	4	3-1/2	3	2-1/2	2	1-1/2	1-1/4	1	3/4	1/2
3/8	4 1/2	3 5/8	3 3/8	3	2 5/8	2 3/8	2	1 7/8	1 3/4	1 5/8	1 1/2
1/2	4 5/8	3 3/4	3 1/2	3 1/8	2 3/4	2 1/2	2 1/4	2 1/8	2	1 7/8	1 3/4
3/4	4 3/4	4	3 5/8	3 1/4	2 7/8	2 5/8	2 3/8	2 1/4	2 1/8	2	1 7/8
1	5	4 1/4	3 7/8	3 1/2	3	2 3/4	2 1/2	2 3/8	2 1/4	2 1/8	2

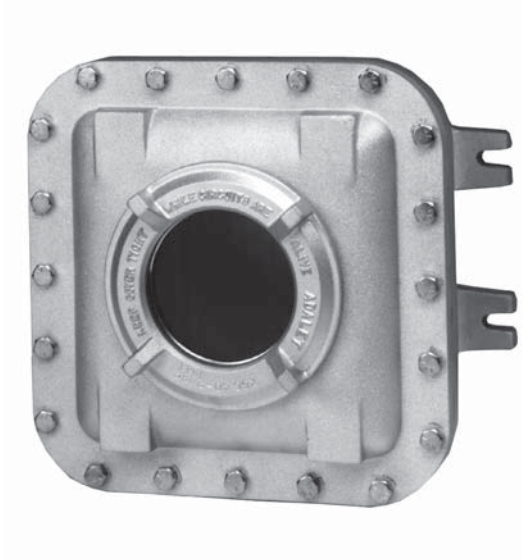
- Table IV shows minimum spacing between auxiliary device entrances.  
NOTE: Increase distance between devices as required to maintain minimum through air spacing of contacts required by electrical codes.
- Double all distances in Table III and IV for holes located in back wall.

**TABLE IV**

MIN. SPACING BETWEEN AUX. DEVICE OF VARYING THREAD SIZES (INCHES)				
	3/8	1/2	3/4	1
3/8	1 1/2	1 1/2	1 1/2	2 1/2
1/2	1 1/2	2	2	2 1/2
3/4	1 1/2	2	2	3
1	2 1/2	2 1/2	3	3 1/2



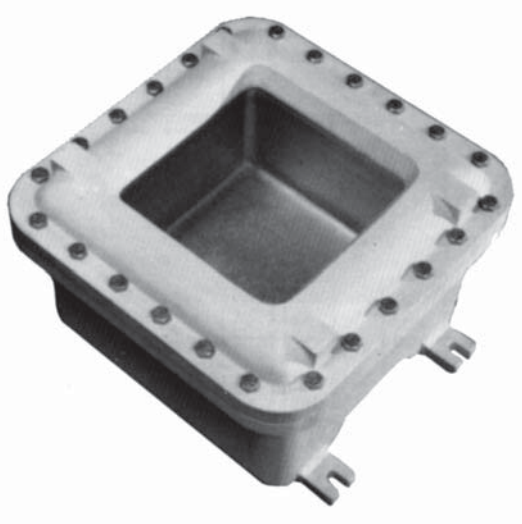
## Glass Windows



### CIRCULAR WINDOW

Circular Window	Window Viewing Area Diameter	Overall Window Cover Diameter	Min Enclosure Inside Width / Length	Thread
XGC 10	1 1/8	3	8	2 1/2-16
XGC 20	1 5/16	4 1/8	9	3 3/8-12
XGC 30	3	5 3/16	9	4 3/4 - 12
XGC 40	4	6 3/8	9	5 1/2 - 12
XGC 52	5 1/4	7 7/8	10	7 1/8 - 12
XGC 66	6 1/16	10 3/8	16	9 1/8 - 12
XGC 80	8	12 1/8	18	10 7/8 - 8

- NOTES**
1. All dimensions are in inches.
  2. Glass window catalog number includes XCE cover machining and installation.
  3. For TYPE 4/IP66 option add suffix "N4".
  4. To order glass windows for field installations, add suffix SLF to XGC catalog no.
  5. Consult factory for closer spacing requirements, multiple windows or combinations of operators and windows.



### STANDARD RECTANGULAR WINDOW

Rectangular Window	Window Viewing Area Diameter	Min Enclosure Inside Width	Min Enclosure Inside Length
XGW 0303	3 X 3	8	8
XGW 0305	3 X 5	8	10
XGW 0307	3 X 7	8	12
XGW 0505	5 X 5	10	10
XGW 0509	5 X 9	10	14
XGW 0707	7 X 7	12	12
XGW 0713	7 X 13	12	18
XGW 0909	9 X 9	14	14
XGW 1111	11 X 11	16	16
XGW 1313	13 X 13	18	18

- NOTES**
1. All dimensions are in inches
  2. Glass window catalog number includes installation and pattern modifications.
  3. For TYPE 4 option add suffix "N4".
  4. Consult factory for special viewing area requirement, closer spacing and to combine windows with other window sizes or operators.
  5. Windows can be ordered in size between 3" and 13" – Consult Factory.

# XCE SERIES & XJF

## Stainless Steel Explosionproof and Flameproof Control Enclosures

### STANDARD FEATURES

- 5 standard sizes available
- Flat plate cover design
- Corrosion resistant, cast stainless steel 316L
- Stainless steel hinge kit
- Pre-drilled for mounting panel (mounting panel optional)
- Type 4 watertight Nitrile gasket
- Stainless steel cover bolts
- Internal / external grounding screws
- Removable lifting eye bolts
- Lid-lifter cover alignment device on covers > 100 lbs.
- Cast-on mounting lugs / feet

### DESIGN OPTIONS

- Stainless steel cover bolts for Type 4X additional corrosion protection
- Conduit (NPT & metric) and device (NPSM) drilling & tapping
- Auxiliary devices such as breather / drains and flame arrestors
- Custom machining - milling, counter-boring, spot-facing, blind drilled holes, entries, chamfers

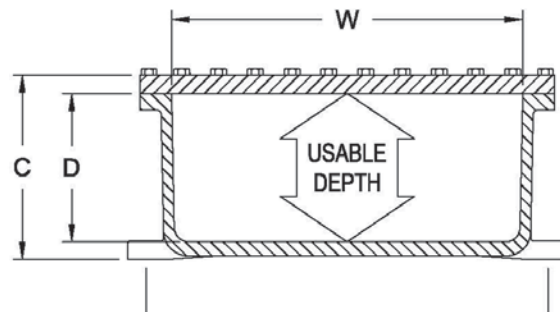
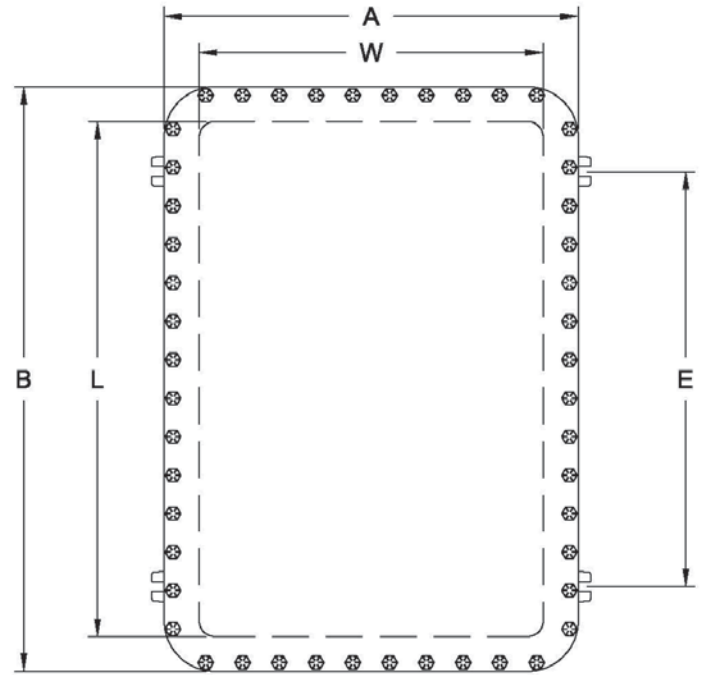
### MATERIAL

- Enclosure - stainless steel 316L
- Cover bolts - stainless steel 316L
- Hinge kits - stainless steel 316L

### CERTIFICATIONS

Class I, Division 1 Group B, C & D  
 Class II, Groups E, F & G  
 Class III  
 Class I, Zone 1, AEx d IIB  
 Type 4  
 IECEx Ex d IIB Gb  
 IECEx Ex DA21 IP66

0539 II 2 G Ex d IIB  
 0539 II 2 D ExtD A21 IP66



XCESX Catalog #	Usable Depth	Inside Nom. Dimensions			Overall Dimensions			Mounting Lug CL to CL		Mtg. Bol Size	Ship Weight	Pan Catalog #			Nom. Dimensions		Steel Pan Weight	Hinge Cat #
		W	L	D	A	B	C	E	F			Steel	Alum.	Phen	W	H		
101408	8	10	14	8	13-9/16	17-9/16	9-7/8	10-7/8	13	7/16	195	XSM1014	XSA1014	XSB1014	8-7/8	12-7/8	3-1/2	XHBK-2
121208	8	12	12	8	16-1/4	16-1/4	9-7/8	8-5/8	15-3/4	5/8	210	XSM1212	XSA1212	XSB1212	10-7/8	10-7/8	3-3/4	XHCK-2
122410	10	12	24	10	16-1/4	28-1/4	11-3/4	18-3/8	15-3/4	5/8	380	XSM1224	XSA1224	XSB1224	11	23	8	XHCK-2
242410	10	24	24	10	28-7/8	28-7/8	12-3/8	18.375	28	3/4	735	XSM2424	XSA2424	XSB2424	22	22	15-1/4	XHFK-2
243610	10	36	10	4 1/2	28-7/8	40-7/8	12-3/8	29	28	3/4	985	XSM2436	XSA2436	XSB2436	34	22	23-1/2	XHFK-3

# Flameproof High Voltage Enclosures

## STANDARD FEATURES

- 16 (1x1) and 10 (2x2) sizes available
- Corrosion resistant, copper free aluminum
- Hinged cover
- Type 4 watertight Nitrile gasket
- Custom steel mounting panel
- Set of three porcelain standoffs and hardware (1 x1 connection only)
- Set of three porcelain bus support insulators and hardware (2 x 2 connection only)
- High voltage cover sign
- High strength steel cover bolts (zinc plated and coated)
- Internal and external ground lugs
- Removable lifting eye bolts (18 x 24 and larger)
- Lid-lifter cover alignment device (18 x 24 and larger)
- Cast-on mounting lugs / feet
- Tumbleblast, natural aluminum finish

## DESIGN OPTIONS

- Stainless steel cover bolts for Type 4X additional corrosion protection
- Conduit (NPT & metric) and device (NPSM) drilling & tapping
- Auxiliary devices such as breather / drains
- Custom machining - milling, counter-boring, spot-facing, drilled entries, chamfers
- Custom cast-on logos
- Powder and epoxy coating for additional corrosion resistance
- Special mounting provisions

## MATERIAL

- Enclosure - copper free aluminum (3/10 of 1%)
- Cover bolts - steel, zinc plated and coated
- Hinge kits - copper free aluminum with stainless steel 316L hardware
- Mounting panel, galvanized steel

## CERTIFICATIONS

Class I, Division 1, Groups B, C & D  
Class II, Division I, Groups EFG

Class III  
Type 4

Class I, Zone 1, AEx d IIB  
T6 or T5:  $-20^{\circ}\leq Ta < 55^{\circ}\text{C}$

IECEX UL 09.0031X

Ex d IIB T6:  $-20^{\circ}\text{C}\leq Ta\leq +55^{\circ}\text{C}$

Ex tD A21 IP66 T73 °C

DEMKO 01 ATEX 0128064  
Ex d IIB T6 or T5:  $-20^{\circ}\leq Ta\leq 55^{\circ}\text{C}$

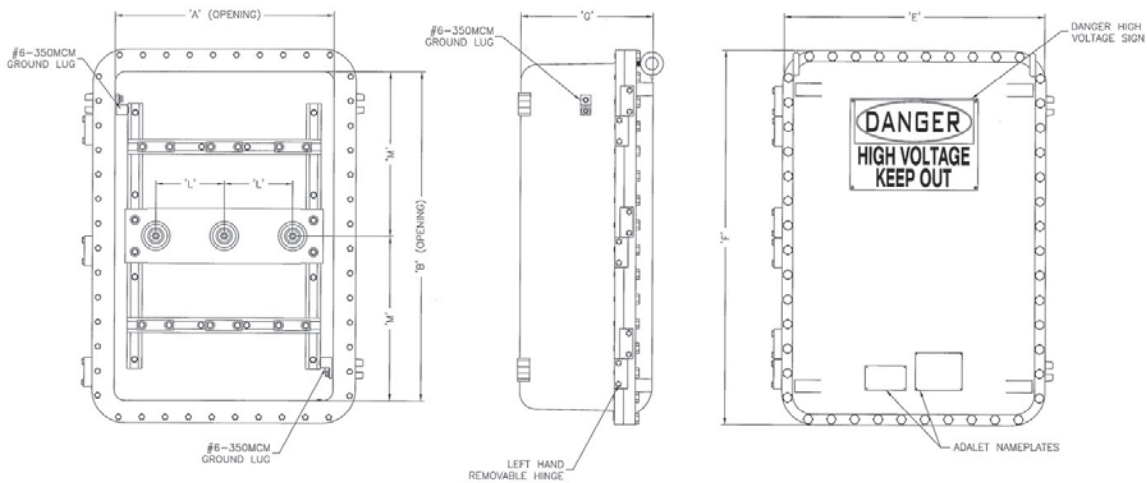
0539 Ⓢ II 2 G Ex d IIB

0539 Ⓢ II 2 D ExtD A21 IP66



# XHVX Series

## 1 x 1 Connection Series

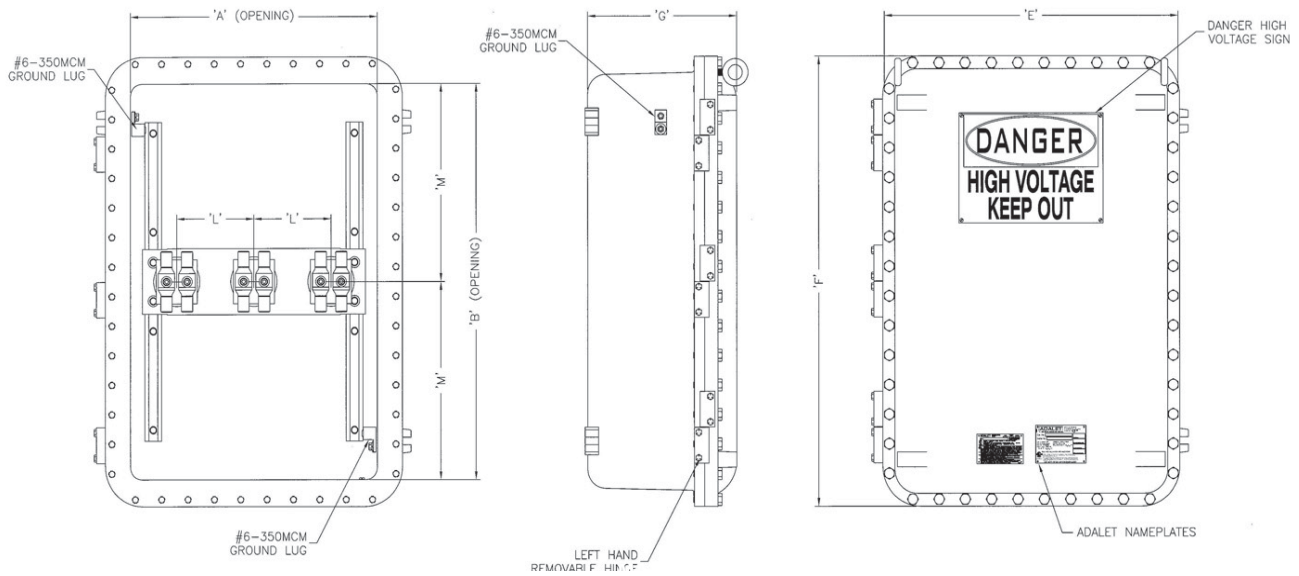


ENCLOSURE	H	W	D	AWG / MCM	mm <sup>2</sup>	CONDUCTOR SIZE		VOLTAGE		AMPERAGE	
						MAX	MAX	MAX	MAX		
XHVX-121208	12.00	12.00	8.00	2/10	70	2.5kV	160				
XHVX-161608	16.00	16.00	8.00	3/10	95	6.6kV	200				
XHVX-162408	16.00	24.00	8.00	350	185	6.6kV	315				
XHVX-181808	18.00	18.00	8.00	4/10	120	6.6kV	225				
XHVX-182408	18.00	24.00	8.00	350	185	6.6kV	315				
XHVX-183008	18.00	30.00	8.00	350	185	6.6kV	315				
XHVX-183608	18.00	36.00	8.00	350	185	6.6kV	315				
XHVX-242408	24.00	24.00	8.00	350	185	6.6kV	315				
XHVX-243008	24.00	30.00	8.00	350	185	6.6kV	315				
XHVX-243608	24.00	36.00	8.00	350	185	6.6kV	315				
XHVX-162410	16.00	24.00	10.00	350	185	6.6kV	315				
XHVX-164610	16.00	46.00	10.00	350	185	6.6kV	315				
XHVX-182410	18.00	24.00	10.00	350	185	6.6kV	315				
XHVX-183610	18.00	36.00	10.00	350	185	6.6kV	315				
XHVX-242410	24.00	24.00	10.00	350	185	8kV	315				
XHVX-243610	24.00	36.00	10.00	400	240	8kV	400				

MIN CONDUCTOR SIZE		AMPERAGE
mm <sup>2</sup>	AWG/MCM	MAX
10	8	50
16	6	80
25	4	100
35	2	125
50	1/0	160
70	2/0	200
95	3/0	225
150	250	250
185	350	315
240	400	400



## 2 x 2 Connection Series



ENCLOSURE	H	W	D	MCM	mm <sup>2</sup>	AMPERAGE	
						Phase	Conductor
XHVX-182408	18.00	24.00	8.00	350	185	630	315
XHVX-183008	18.00	30.00	8.00	400	240	800	400
XHVX-183608	18.00	36.00	8.00	400	240	800	400
XHVX-182410	18.00	24.00	10.00	350	185	630	315
XHVX-183610	18.00	36.00	10.00	400	240	800	400
XHVX-242408	24.00	24.00	8.00	350	185	630	315
XHVX-243008	24.00	30.00	8.00	400	240	800	400
XHVX-243608	24.00	36.00	8.00	400	240	800	400
XHVX-242410	24.00	24.00	10.00	350	185	630	315
XHVX-243610	24.00	36.00	10.00	500	300	1,000	500

mm <sup>2</sup>	MIN CONDUCTOR SIZE		AMPERAGE
	AWG/MCM	MAX	
10	8	50	
16	6	80	
25	4	100	
35	2	125	
50	1/0	160	
70	2/0	200	
95	3/0	225	
150	250	250	
185	350	315	
240	400	400	
300	500	500	

# XCPX SERIES

## XCPX Enclosure Series

The Adalet XCPX series ATEX Certified Control Panels are designed to provide a complete ATEX equipment certificate to final assemblies direct from ADALET without additional third party testing & approvals. Utilizing our ATEX Certified XCEX flameproof control enclosures, Adalet can fully populate our control enclosures with any CE approved device and provide the engineering services required to certify your final assembly as an ATEX control panel with a complete ATEX Equipment Certificate.

### STANDARD FEATURES

- 80 sizes available
- Corrosion resistant, copper free aluminum
- Turnkey engineering and panel population / assembly
- Drilled & tapped conduit entries per customer design specifications
- Pre-drilled hinge holes (hinge optional)
- Pre-drilled mounting panel bosses (mounting panel optional)
- Type 4 watertight Nitrile gasket
- High strength steel cover bolts (zinc plated and coated)
- Internal / external grounding screws
- Removable lifting eye bolts (18 x 24 and larger)
- Lid-lifter cover alignment device (18 x 24 and larger)
- Cast-on mounting lugs / feet
- Tumbast, natural aluminum finish

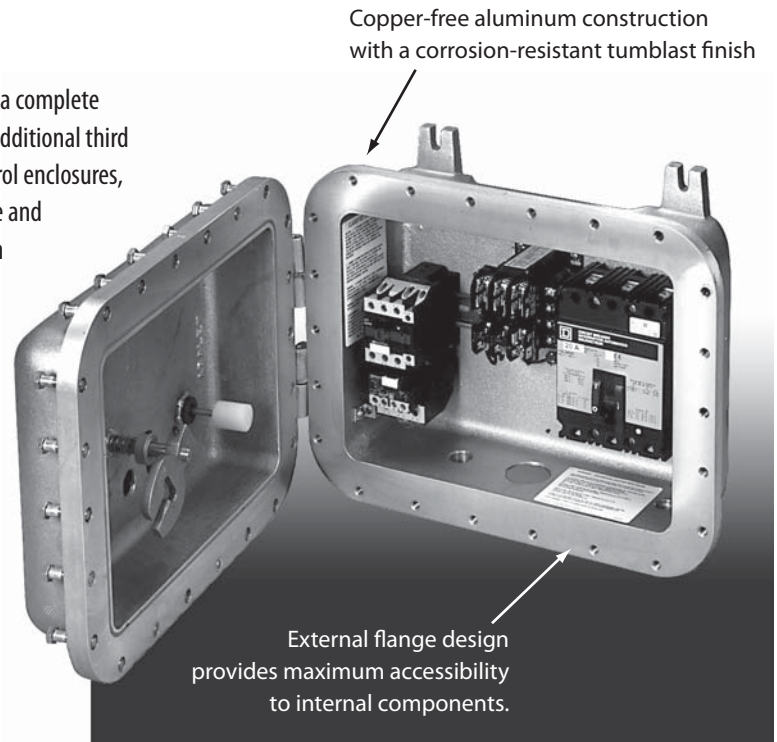
### DESIGN OPTIONS

- Stainless steel cover bolts for Type 4X additional corrosion protection
- Mounting panels - Available in galvanized steel (XSM), aluminum (XSA), or phenolic (XSB)
- Aluminum hinge kits with stainless steel hardware
- Operators and auxiliary devices such as breather / drains and flame arrestors
- Window kits - Round (up to 8" viewing diameter) or square / rectangle (up to 13" x 13")
- Custom machining - Milling, counter-boring, spot-facing, blind drilled holes, entries, chamfers
- Custom cast-on logos
- Powder and epoxy coating for additional corrosion resistance
- Special mounting provisions

### CONSTRUCTION MATERIALS

- Enclosure - Copper free aluminum (3/10 of 1%)
- Cover bolts - Steel, zinc plated and coated
- Hinge kits - Copper free aluminum with stainless steel hardware
- Mounting panel - Galvanized steel, aluminum or phenolic

\* Limitations on internal electrical components



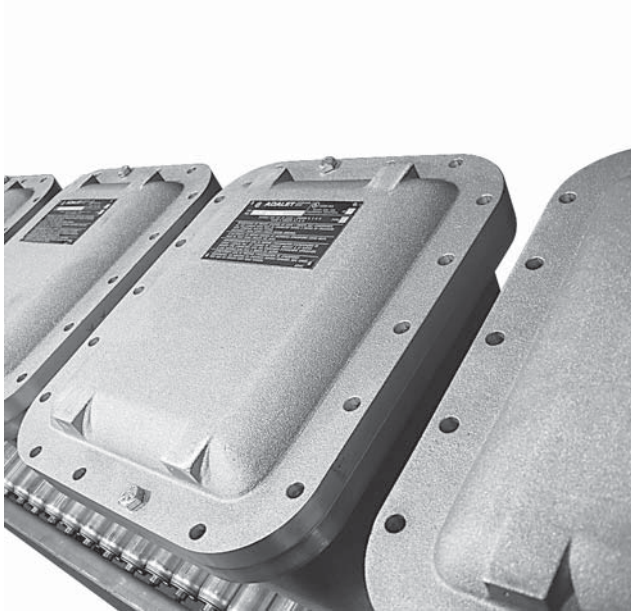
*Our Adalet sales engineers will offer you a detailed price quotation based on the specifications unique to your project and scope of services required. Please contact one of our ATEX control panel consultants to learn more about our services or to inquire about receiving a price quotation for your ATEX control panel requirements.*

**ADALET**  
A SCOTT FETZER COMPANY

### CERTIFICATIONS

Class I, Division 1 Group B\*, C\* & D  
 Class II, Groups E, F & G  
 Class III  
 Class I, Zone 1, AEx d IIB  
 Ex d IIB  
 Type 4  
 CE 0539 Ⓜ II 2 GD  
 Ex d IIB+H<sup>2</sup> T6  
 Ex d IIB+H<sup>2</sup> T5 (Tamb +60° C)  
 Ex tD A21 IP66 T100° C  
 Epsilon 07 ATEX 2196





## ATEX Flameproof Control Panel Equipment Certification

Utilizing our ATEX equipment certification, Adalet can now fully populate empty ATEX certified XCEX enclosures and provide CE certification to any and all applicable CE marking directives. This ATEX control panel certification allows Adalet to eliminate the requirement to re-submit enclosure assemblies to third party testing laboratories for final ATEX equipment certification saving customers considerable time and money.

The Adalet ATEX Control Panel Assembly certificate allows for the installation of control operators, motor control components, and all other CE marked components inside Adalet's complete line of ATEX certified empty XCEX IIB+H2 enclosures. Adalet also provides services for installation and wiring of all control components as well as complete engineering design and review, certification, and documentation requirements. Added charges are included for such items as ATEX inspection, hydro testing, component thermal review, declarations and documentation retention to name a few. Adalet will accept the customers existing specifications or offer our engineering services to assist with design details.

### ATEX Certification & Documentation

As part of the final ATEX control panel assembly, Adalet will provide all necessary certification and documentation required for your final ATEX equipment certification.

### Engineering Review, Design & Consultation Services

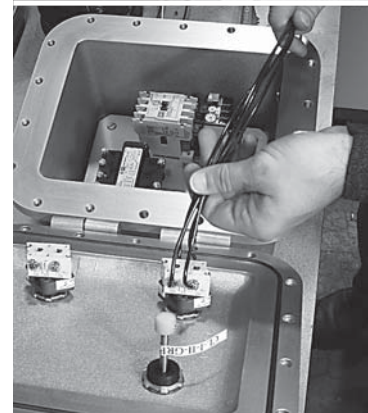
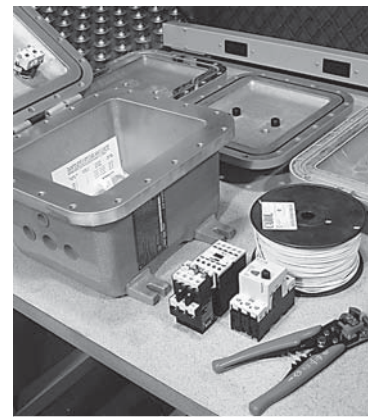
Adalet engineering services are available for those projects which are candidates for ATEX control panel certification. Using customer supplied specifications or Adalet design and engineering services, we will carefully review your requirements making certain your assembly meets or exceeds the minimum specifications for ATEX equipment certification.

### IIB +H2 Certification

Adalet XCEX empty enclosures are now certified for IIB+H2 for ATEX applications.

### Turnkey Solutions for Adalet ATEX Control Panel Assemblies

Adalet can provide a complete turnkey ATEX control panel package based on your design specifications. Our engineering team has the experience necessary to provide you with a complete ATEX control panel from start to finish.



# XIF SERIES

XIF: Junction Boxes

XIFX: Flameproof Junction Boxes

XIFC: Explosionproof Control Enclosures

XIFCX: Flameproof Control Enclosures

## DESIGN OPTIONS

### MOUNTING PANS Three Materials Available:

**Steel:** (XSM) Galvanized 12 gauge steel plate. The catalog number includes the steel mounting pan complete with ¼" high spacers and stainless steel mounting screws.

**Aluminum:** (XSA) Consult factory for availability.

**Phenolic:** (XSB) A special phenolic laminated material that has high mechanical and dielectric strength. It is excellent for mounting and wiring control equipment. The catalog number includes the phenolic board, ¾" thick, complete with ¼" high spacers and stainless steel mounting screws.

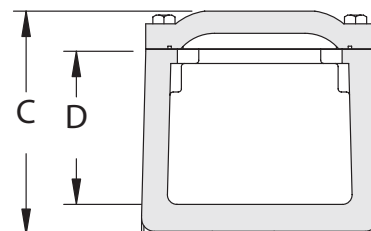
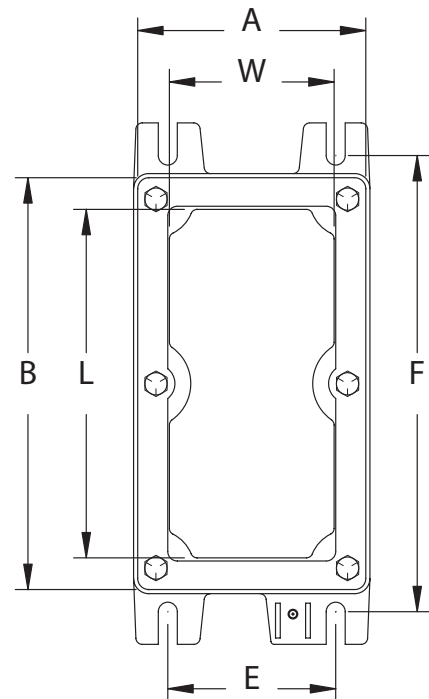
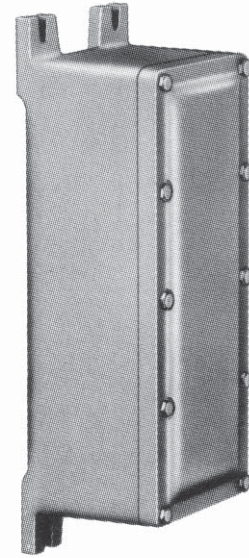
### AUXILIARY OPERATOR INSTALLATIONS

Available in XIFC and XIFCX covers

### EXTERNAL EARTHING DEVICE

Supplied on XIFX and XIFCX

Gasket for Type 4 applications  
available for XIF and XIFC



## CERTIFICATIONS

## XIF SERIES

**CERTIFICATIONS**

Class I, Division I, Groups C & D  
 Class II, Groups E,F,G  
 Type 4



LISTED 437S



## XIFX SERIES

**CERTIFICATIONS**

Class I, Division I, Groups C & D Ex d IIB  
 Class II, Groups E, F, G  
 Class III  
 Class I, Zone 1, AEx d IIB  
 Ex d IIB  
 IECEx Ex d IIB  
 IEC60529: IP 40  
 IECEx UL.08.0011U

Ex d IIB T6; T5: -20 < Ta < 55 C II 2GD

DEMKO 07 ATEX 0603868U



## XIFC SERIES

**CERTIFICATIONS**

Class I, Division I, Groups C & D  
 Class II, Groups E, F, G  
 Type 4



## XIFCX SERIES

**CERTIFICATIONS**

Class I, Division I, Groups C,D  
 Class II, Groups E, F, G  
 Class III  
 Class I, Zone 1, AEx d IIB  
 Ex d IIB T6 (T5 Tamb +55° C)  
 IECEx Ex d IIB T6 (T5 Tamb +55° C)  
 IECEx UL 08.0023X  
 IP40

0539 Ex d IIB T5 Tamb +55° C  
 CE II 2 G Ex  
 DEMKO 09 ATEX 0816570X



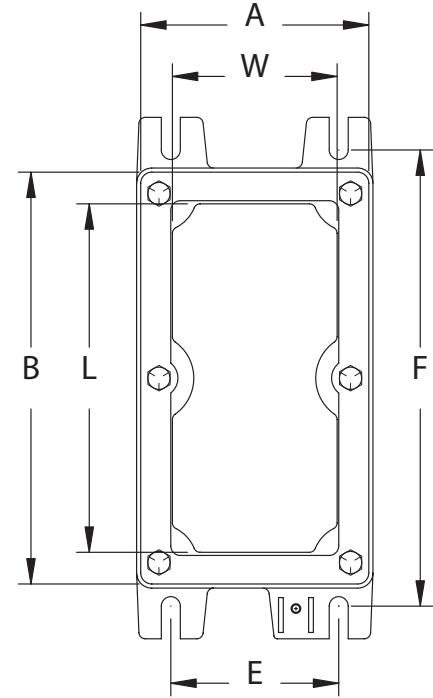
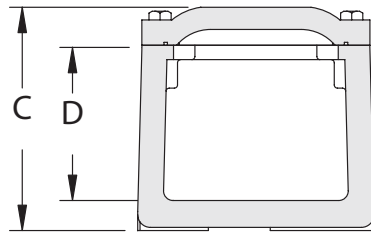
# XIF SERIES

XIF: Junction Boxes

XIFX: Flameproof Junction Boxes

XIFC: Explosionproof Control Enclosures

XIFCX: Flameproof Control Enclosures

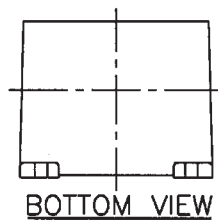
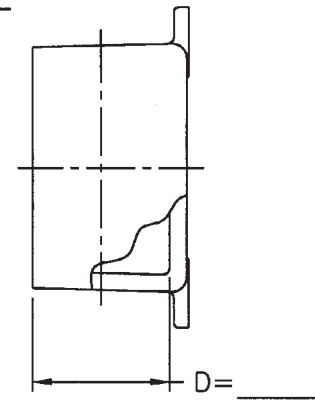
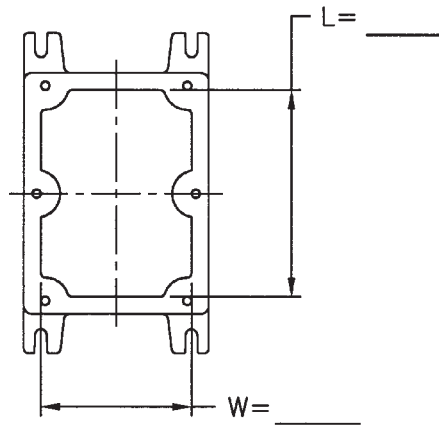
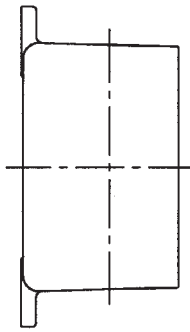
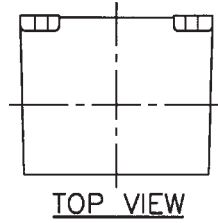


XIFC/XIFCX Catalog #	XIF/XIFX Catalog #	Inside Nom. Dimensions			Overall Dimensions			Mounting Lug CL to CL		Mtg. Bolt Size	Ship Weight	Pan Catalog #			Nom. Dimensions		Steel Pan Weight
		W	L	D	A	B	C	E	F			Steel	Alum.	Phen	W	L	
XIFC/X030303	XIF/X030303	3 3/16	3 3/16	3 3/16	4 1/2	4 1/2	4 3/16	3 1/4	5 1/2	3/16	5	XSM0303	XSA0303	XSB0303	3	3	1/4
XIFC/X030603	XIF/X030603	3 3/4	5 3/4	3	4 1/2	7 1/16	4 1/4	3 1/4	8	3/16	6 1/2	XSM0306	XSA0306	XSB0306	3	5 1/2	1/2
XIFC/X030703	XIF/X030703	3 3/4	6 7/8	3	4 1/2	8 1/8	4 3/16	3 3/16	9	3/16	7 1/2	XSM0307	XSA0307	XSB0307	3	6 1/2	1/2
XIFC/X030903	XIF/X030903	3 11/32	8 15/16	3	4 1/2	10 1/16	4 3/16	3 1/4	11	3/16	9 1/2	XSM0309	XSA0309	XSB0309	3	8 1/2	3/4
XIFC/X031103	XIF/X031103	3 3/4	10 15/16	3	4 1/2	12	4 3/16	3 1/4	13	3/16	11	XSM0311	XSA0311	XSB0311	3	10 1/2	1
XIFC/X031303	XIF/X031303	3 3/4	12 13/16	3	4 1/2	14 1/16	4 3/16	3 1/4	15	3/16	11 1/2	XSM0313	XSA0313	XSB0313	3	12 1/2	1 1/4
XIFC/X031503	XIF/X031503	3 3/4	14 3/4	3 1/16	4 1/2	16	4 3/16	3 1/4	17	3/16	13	XSM0315	XSA0315	XSB0315	3	14 1/2	1 1/2
XIFC/X031803	XIF/X031803	3 3/4	17 3/4	3	4 1/2	19	4 1/4	3 1/4	20	3/16	16	XSM0318	XSA0318	XSB0318	3	17 1/2	1 3/4
XIFC/X032403	XIF/X032403	3 3/4	23 3/16	3	4 1/2	25 1/16	4 3/16	3 1/4	26	3/16	21	XSM0324	XSA0324	XSB0324	3	23 1/2	2 1/4
XIFC/X033003	XIF/X033003	3 3/4	29 1/2	3	4 3/16	31 1/16	4 3/16	3 1/4	32 1/8	3/16	28	XSM0330	XSA0330	XSB0330	3	29	2 3/4
XIFC/X033603	XIF/X033603	3 3/4	35 7/16	3	4 1/2	37 1/4	4 3/8	3 1/4	38 1/8	3/16	33	XSM0336	XSA0336	XSB0336	3	35	3 1/4
XIFC/X040604	XIF/X040604	4 1/8	5 7/8	4	5 3/8	7	5 5/16	4 3/8	8 1/4	3/16	8 1/2	XSM0406	XSA0406	XSB0406	3 7/8	5 1/2	3/4
XIFC/X041204	XIF/X041204	4 1/4	11 13/16	4	5 1/2	13 3/8	5 5/16	4 3/8	14 1/4	3/16	15 1/2	XSM0412	XSA0412	XSB0412	3 7/8	11 1/2	1 1/2
XIFC/X060606	XIF/X060606	5 1/2	5 1/2	6	7	7	7 3/8	5 1/2	8 1/2	3/8	14	XSM 0606	XSA 0606	XSB 0606	5 1/2	5 1/2	1
XIFC/X060608	XIF/X060608	5 1/4	5 1/2	8	7	7	9 3/8	5 1/2	8 1/2	3/8	17 1/2	XSM 0606	XSA 0606	XSB 0606	5 1/2	5 1/2	1
XIFC/X061206	XIF/X061206	5 1/4	11 1/8	6	7 1/4	13 1/2	7 3/8	5 1/2	15	3/8	28	XSM 0612	XSA 0612	XSB 0612	5 1/2	11 1/2	2
-	XIF/X061806*	6	18	6	7 1/2	19 1/2	7 13/16	5 1/2	21 1/8	3/8	33	XSM 0618	XSA 0618	XSB 0618	5 5/8	16 7/8	3
-	XIF/X062406*	6	24	6	7 1/2	25 1/2	7 3/4	5 1/2	27	3/8	59	XSM 0624	XSA 0624	XSB 0624	5 5/8	22 7/8	4
-	XIF/X063606*	6	36	6	7 1/2	37 1/2	7 13/16	5 1/2	39	3/8	84	XSM 0636	XSA 0636	XSB 0636	5 5/8	34 7/8	6
XIFC/X070704	XIF/X070704	6 7/8	6 7/8	4	7 15/16	7 15/16	5 5/16	6 3/8	9 1/8	3/8	13	XSM 0707	XSA 0707	XSB 0707	6 1/2	6 1/2	1 1/2
-	XIF/X071603*	7	16	3 1/2	8 1/2	17 1/2	5 5/16	6 1/2	18 7/8	3/8	36	XSM 0716	XSA 0716	XSB 0716	6 1/2	15 1/2	3
-	XIF/X083206*	8	32	5 7/8	9 1/2	33 1/2	7 7/8	7 1/2	35	3/8	87	XSM 0832	XSA 0832	XSB 0832	7 1/2	31 1/2	7 1/2

\* Limited Approvals



# Customer Design Sheet

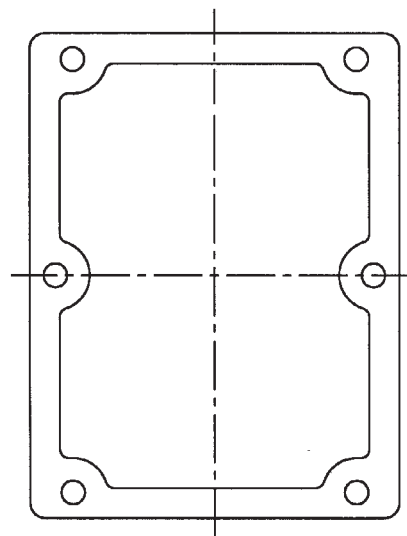


BOX LAYOUT

CAT # XIF (C)(X) \_\_\_\_\_

N4 O RING (XIF (C) Only)

MOUNTING PAN



# Control Station

## STANDARD FEATURES

- Lightweight, corrosion-resistant, copper-free aluminum alloy (0.3% max. copper content).
- All operating shafts are stainless steel for corrosion resistance.
- Durable cast on lugs cannot get lost.
- Ground screw is highly visible and accessible.
- Uniform wall thickness (not ribbed) for versatility of conduit openings assuring 5 full threads engagement and maximum available area for conduit drilling and tapping.
- Operators may be mounted through back wall for panel mounting.
- Box depth provides for the stacking of 2 contact blocks.
- Anodized aluminum operators install easily in the field.
- Switch operators include one contact block

TABLE A2 - CONTROL STATION BOXES

# of Operators	Surface Mount	Panel Mount*	Std. Cond. Size (in.)
1	X1	X1P	¾
2	X2	X2P	¾
3	X3	X3P	¾
4	X4	X4P	1
5	X5	X5P	1¼
6	X6	X6P	1¼
7	X7	X7P	1¼
8	X8	X8P	1¼
12	X12	X12P	1½
15	X15	X15P	1½
18	X18	X18P	1½

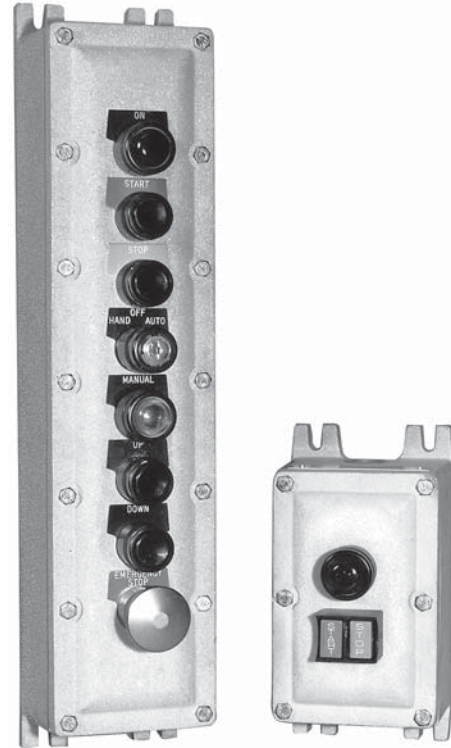
\*Panel Mount: Operators mounted in back, add P to operator suffix.

Surface Mount: Operators mounted in cover.

NOTE: All operator holes are 3/4" - 14 NPSM

TABLE B2 - PILOT LIGHTS & LIGHTED PUSHBUTTON (SURFACE MOUNT)

Lens Color	SUFFIX NOS. FOR 120V PILOT LIGHTS		
	Guarded Candleabra Base XL	Guarded Slide Base XLS	Lighted Pushbutton** Unguarded XLP
Amber	337	343	30
Blue	338	344	35
Clear	339	345	40
Green	340	346	45
Red	341	347	50
White	342	348	55



## CERTIFICATIONS

Class I, Division 1, Groups C & D  
Class II, Groups E, F & G



For Type 4 or special machining options-see XIFC Series  
Listed enclosures must use Adalet auxiliary devices only

\*\*CSA certified products require guarded pilot devices



## Box &amp; Suffix Numbers

TABLE C2 - SELECTOR AND KEY SWITCH SUFFIX NUMBERS (SURFACE MOUNT)

Contact Block / Cam		SELECTOR SWITCH SUFFIX NUMBERS					KEY SWITCH SUFFIX NUMBERS			
		Standard Selector Switch	Selector Switch w/Padlock	Spring Ret. Center from R & L	Spring Ret. Center from R	Spring Ret. Center from L	Standard Key Switch	Spring Ret. Center from R & L	Spring Ret. Center from R	Spring Ret. Center from L
		XHSS	XHSSPL	XHSSC	XHSSR	XHSSL	XHKSS	XHKSSC	XHKSSR	XHKSSL
BT1A/1 NO NC	XO OX	6	283				82			
BT1B/1 NO NO	OX XO	7	284				83			
BT2/1 NO NO	OX OX	8	285				84			
BT3/1 NC NC	XO XO	9	286				85			
BT2/3 NO NO	XOO OOX	10	293	111	135	159	86	229	249	269
BT1B/2 NC NO	XOX XXO	11	288	112	136	160	87	224	244	264
BT2/2 NO NO	XOX OOX	12	289	113	137	161	88	225	245	265
BT3/2 NC NC	OXO XXO	13	290	114	138	162	89	226	246	266
BT3/3 NC NC	OXO XXO	14	294	115	139	163	90	230	250	270
BT1A/2 NO NC	OXO OOX	15	287	116	140	164	91	223	243	263
BT1A/3 NO NC	OXO OOX	16	291	117	141	165	92	227	247	267

TABLE D2 - PUSHBUTTON SUFFIX NUMBERS (SURFACE MOUNT)

	Contact Style	Momentary Pushbutton XHPBS	Momentary Pushbutton w/Padlock XHPBSPL	Mushroom Head Momentary <sup>1</sup> XHPBMS	Dual Pushbutton <sup>2</sup> Momentary XHDPBS	Dual Pushbutton <sup>2</sup> w/Lockout XHDPBSPL	Dual Pushbutton <sup>2</sup> Maint XHDMCS	Dual Pushbutton <sup>2</sup> Maint. w/Lock XHDMCSPL
BT1A	1NO/1NC	1	307	106	72	322	77	327
BT2	2NO	2	308	107	73	323	78	328
BT3	2NC	3	309	108	74	324	79	329
BT4	1NO	4	310	109				
BT5	1NC	5	311	110				

Pushbuttons furnished with Black collars and knobs as standard. Optional knobs: Green, Red. Optional Collars: Blue, Green, Gold or Red.

Maintained, push-pull operator available, but requires special spacing. Consult factory.

<sup>1</sup>Standard knob is Red. Black or Green available.

<sup>2</sup>Standard with one Green knob labeled "Start" and one Red knob labeled "Stop." Unlabeled Black knobs available.

**Other pilot devices available – Consult Factory.**

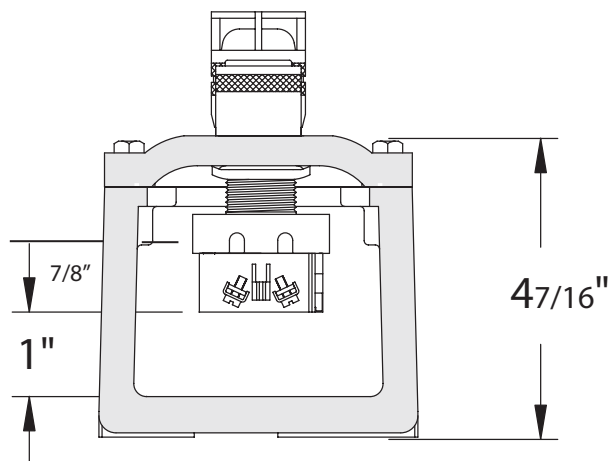
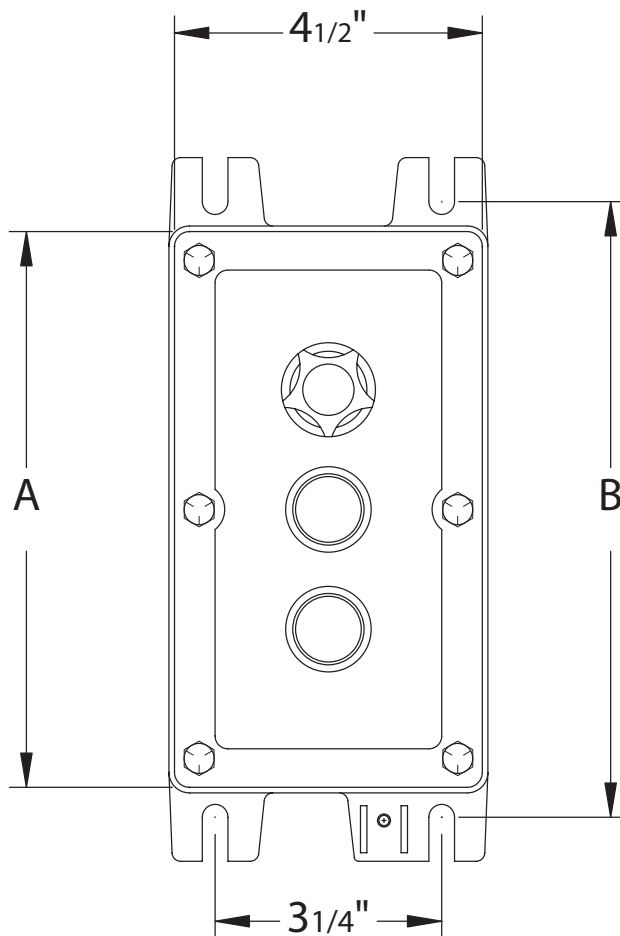
# CONTROL STATION

## Control Station

DIMENSIONS					
Enclosure	Nom. Inside Dimensions	Dimensions (in.)		Est. Weight (lbs.)	Std. Conduit* Size (in.)
		A	B		
X1	030303	4 1/2	5 1/2	5	3/4
X2	030603	7 1/16	8	7	3/4
X3	030703	8 1/8	9	8	3/4
X4	030903	10 1/16	11	10	1
X5	031103	12 1/16	13	11	1 1/4
X6	031303	14 1/16	15	12	1 1/4
X7	031503	16	17	13	1 1/4
X8	031803	19	20	16	1 1/4
X12	032403	25 1/16	26	21	1 1/2
X15	033003	31 1/8	32 1/8	28	1 1/2
X18	033603	37 1/4	38 1/8	33	1 1/2

Control Stations have conduit openings centered on top and bottom.

\*Consult factory for other conduit sizes.



Second contact block allowed with insulating paper added.

## Class 1 Div 1 Pendant/Operator Station

### STANDARD FEATURES

- Six standard sizes
- Standard feed thru conduit entries
- Enclosures rated NEMA 4x, 7, 9
- Populated with Adalet pushbuttons, pilot lights, selector switches or emergency stops
- ATEX and IECEx versions available, consult factory
- Optional side handles and stainless steel hanger for ease of handling
- Optional safety yellow coating for high visibility

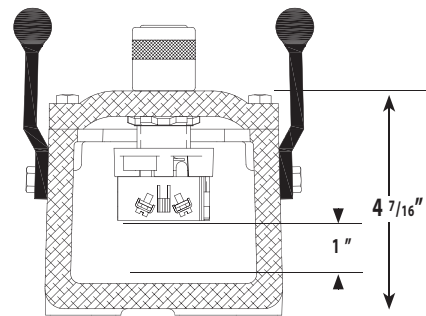
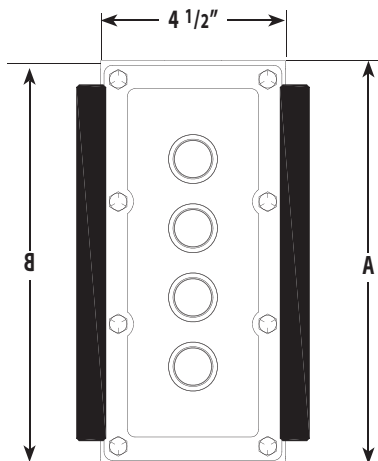


### CERTIFICATIONS

- Class I, Division 1, Groups C & D
- Class II, Groups E, F & G



CSA Certified products require guarded pilot devices



### Dimensions

Catalog Number	Enclosure/Listing Tag	# of Operators	Normal Inside Dimensions	Outside Dimensions		Est Weight (lbs)	Std Conduit Size (in)	
				W x L x D	A		B	Top/Bottom
X2CP-N4	XIFC 030603-N4	2	3" x 6" x 3"	7-1/16"	8	7	3/4"	
X3CP-N4	XIFC 030703-N4	3	3" x 7" x 3"	8-1/8"	9	8	3/4"	
X4CP-N4	XIFC 030903-N4	4	3" x 9" x 3"	10-1/16"	11	10	1"	
X6CP-N4	XIFC 031303-N4	6	3" x 13" x 3"	14-1/16"	15	12	1-1/4"	
X8CP-N4	XIFC 031803-N4	8	3" x 18" x 3"	19"	20	16	1-1/4"	
X12CP-N4	XIFC 032403-N4	12	3" x 24" x 3"	25-1/16"	26	21	1-1/2"	

# Control Station

## Ordering Information

To order control stations, determine the number of operators required. Select the control station box by operator quantity and mounting type from Table A2. Order operators by suffix numbers from Tables B2, C2 and D2. Add suffix numbers to box number and separate by dashes. All operator holes must be filled. Use suffix "0" for plugs to fill unused space. Installation of operators will be made from top to bottom in sequence as listed. Select optional legend plates from Table F2 below.

**TABLE F2 - STANDARD MARKING**

PUSHBUTTON / PILOT LIGHTS			SELECTOR SWITCHES	
Blank	Slow	Reset	Run-Jog	Open-Off-Close
Start	Open	In	Hand-Auto	Fast-Off-Slow
Inch	Close	Out	Forward-Reverse	Run-Auto-Jog
Stop	Up	Left	Fast-Slow	Hand-Off-Auto
Run	Jog	Right	Open-Close	Forward-Off-Reverse
Forward	On	Low	Up-Down	1-Off-2
Reverse	Off	High	Off-On	Up-Off-Down
Fast	Back	Down		
		E-Stop		

Legend plates are anodized aluminum with engraved letters on black background.

Stop has red and start has green background.

Special engraved legend plates can be supplied.

## Contact Ratings

**MAX RATING: TYPE BT CONTACT BLOCKS**

		AC				DC			
Volts		110	220	440	550	24/28	120	240	600
Make & Emergency Interrupting Capacity	A	60.	30.	15.	12.	5.7	1.1	0.5	0.2
Normal Load Break	A	6.	3.	1.5	1.2	5.7	1.1	0.5	0.2
Continuous Current	A	10.	10.	10.	10.	5.	10.	10.	10.5

# Dust-Ignition Proof Enclosures

## STANDARD FEATURES

- 9 standard sizes available
- Wall mounting feet
- Watertight silicone gasket
- Stainless steel hardware
- Four #10-32 weld nuts for optional mounting panel (mounting panels sold separately)
- Grounding studs on inside of box and cover

## DESIGN OPTIONS

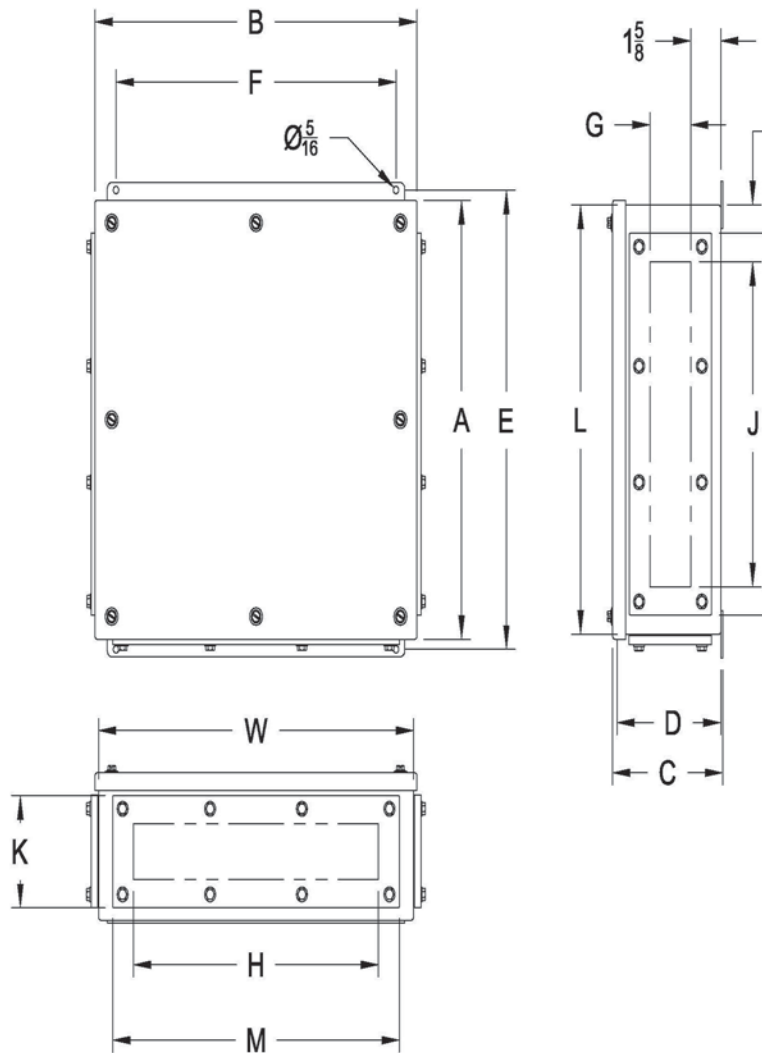
- Mounting panels - available in painted steel or stainless steel
- Aluminum gland plates
- Conduit drilling & tapping from 1/2" NPT to 3" NPT
- Custom sizes

## MATERIAL

- Enclosure - 14 gauge / Type 316L stainless steel
- Gland plates - copper free aluminum (3/10 of 1%)
- Cover bolts - stainless steel 316L

## COMPLIANCES

Class II, Division 1, Groups EFG  
 Class III  
 UL 1203  
 CSA C22.2 No. 25  
 Type 4X, 9  
 UL 50



Catalog #	Enclosure Dimensions			Overall			Mounting Feet.		Gland Plate Opening			Gland Plate Area		
	L	W	D	A	B	C	E	F	G	H	J	K	M	N
D9SC-161206	16	12	6	16-1/2	12-1/2	6-1/4	17-1/2	10	2-1/2	10-1/8	11-5/8	4-5/8	11-1/8	14-1/8
D9SC-161608	16	16	8	16-1/2	16-1/2	8-1/4	17-1/2	14	4-1/2	14-1/8	11-5/8	6-5/8	15-1/8	14-1/8
D9SC-201608	20	16	8	20-1/2	16-1/2	8-1/4	21-1/2	14	4-1/2	14-1/8	15-5/8	6-5/8	15-1/8	18-1/8
D9SC-202008	20	20	8	20-1/2	20-1/2	8-1/4	21-1/2	18	4-1/2	18-1/8	15-5/8	6-5/8	19-1/8	18-1/8
DD9SC-241608	24	16	8	24-1/2	16-1/2	8-1/4	25-1/2	14	4-1/2	14-1/8	19-5/8	6-5/8	15-1/8	22-1/8
DD9SC-242410	24	24	10	24-1/2	24-1/2	10-1/4	25-1/2	22	6-1/2	22-1/8	19-5/8	8-5/8	23-1/8	22-1/8
DD9SC-302410	30	24	10	30-1/2	24-1/2	10-1/4	31-1/2	22	6-1/2	22-1/8	25-5/8	8-5/8	23-1/8	28-1/8
DD9SC-362410	36	24	10	36-1/2	24-1/2	10-1/4	37-1/2	22	6-1/2	22-1/8	31-5/8	8-5/8	23-1/8	34-1/8
DD9SC-363010	36	30	10	36-1/2	30-1/2	10-1/4	37-1/2	28	6-1/2	28-1/8	31-5/8	8-5/8	29-1/8	34-1/8

# FIRE ALARM

## Explosionproof Fire Alarm Systems

### STANDARD FEATURES

Fire alarm call stations, for installation in hazardous atmosphere locations where emergency control of fire alarm or signal circuits is required.

Station is painted red for easy identification. Housing and break glass hammer are cast aluminum alloy. Exposed operator parts are red anodized aluminum.

A yellow adhesive backed label "Caution-Stand Clear of Area in Front of Glass to Protect Eyes from Flying Glass", furnished for application above the alarm station.



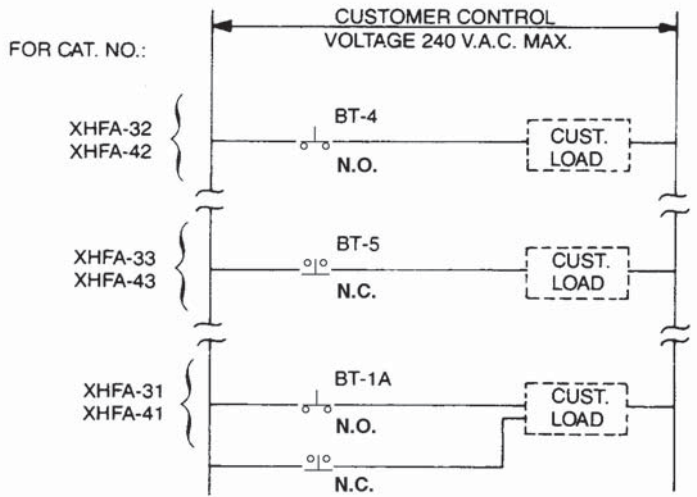
### COMPLETE ASSEMBLY

Catalog Number with 3/4" NPT conduit opening top and bottom	Catalog Number with 1" NPT conduit opening top and bottom
XHFA 31-N4	XHFA 41-N4
XHFA 32-N4	XHFA 42-N4
XHFA 33-N4	XHFA 43-N4

Replacement Glass: Catalog Number XHFG

### MAXIMUM CURRENT RATINGS FOR CONTROL CIRCUIT CONTACTS

Volts	Make Amperes	Break Amperes	Continuous Carrying
120	60	6	10



### CERTIFICATIONS

- Class I, Division 1, Groups C & D
- Class II, Groups E, F, G
- Type 4
- UL Standard 689
- UL Standard UL38 manually activated signaling boxes for use with Fire Protection Signaling Systems

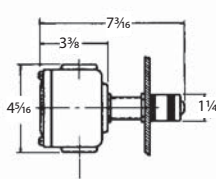


**NOTES** Contact blocks furnished as standard  
Contacts are shown as held in their actuated position.

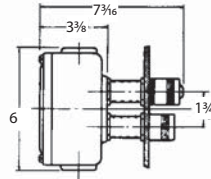
# Explosionproof & Dust-Tight Control Station Box For Panel Mounting



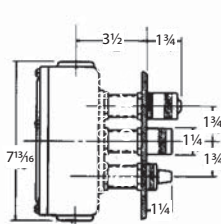
XB1



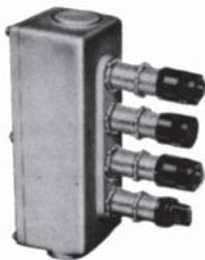
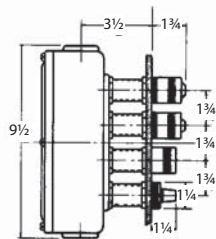
XB2



XB3



XB4



## STANDARD FEATURES

- Designed for mounting on panel boards so that pilot lights, pushbuttons and switch handles are flush with panel fronts and the bodies or housings are in back of the panel.
- Threaded necks are provided with locknuts to clamp fittings in place on panels when used with long operators. The parts extending beyond the face of the panel have a black anodized finish.
- Style XB is suitable for combinations of pilot lights, pushbuttons and selector switches for 600 volt maximum use and are large enough to include pilot light transformers. XB bodies have flat machined joint covers fastened with machine screws. Covers give maximum accessibility to interiors.
- All station boxes are drilled and tapped with  $\frac{3}{4}$ " NPSM thread for operator, or pilot lights. Unused openings must be plugged with XPP plugs. XB style boxes are suitably padded for two conduit openings on one end and one on opposite end. 1" maximum conduit size.

## COMPLIANCE

NEC Class I, Groups C & D

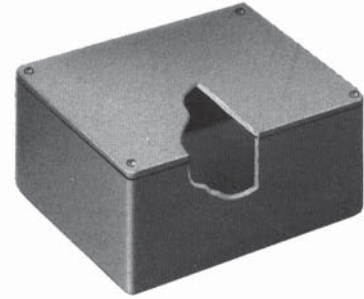
Class II, Groups E, F, G

Cat #	Description	Outside Dimensions (in.)			Weight Ea. (lbs.)
		W	L	D	
XB 1	1 station box – specify hubs	3 ½	4 7/16	3 7/16	1 ¾
XB 2	2 station box – specify hubs	3 ½	6 ¾	3 7/16	2
XB 3	3 station box – specify hubs	3 ½	8 1/16	3 7/16	2 ¾
XB 4	4 station box – specify hubs	3 ½	9 5/8	3 7/16	3 ¼

# UNFLANGED

## Surface Mount, Unflanged Junction Boxes

Catalog #	Inside Nom. Dimensions			Side Wall Thickness	Ship Weight
	W	L	D		
JP 020401	2 3/4	4 1/4	1 3/16	1/8	1
JP 030302	3 1/2	3 1/2	2 1/8	1/8	1
JP 030303	3 9/16	3 9/16	2 7/16	5/16	2
JP 040403	4	4	2 1/2	5/32	1 1/2
JP 040404	4	4	4	1/4	3
JP 040603	4	6	2 1/2	1/4	3
JP 040604	4	6	4	7/32	4
JP 040804	4	8	4	5/16	6
JP 041204	4	12	4	5/16	8
JP 060603	6	6	3 1/2	5/16	6
JP 060604	6	6	4	5/16	6
JP 060606	6	6	6	5/16	7
JP 060804	6	8	4	5/16	7
JP 060806	6	8	6	5/16	10
JP 061004	6	10	4	5/16	9
JP 061204	6	12	4	5/16	10
JP 061206	6	12	6	5/16	11
JP 080804	8	8	4	5/16	9
JP 080806	8	8	6	5/16	11
JP 080808	8	8	8	5/16	12
JP 081004	8	10	4	5/16	9
JP 081006	8	10	6	5/16	13
JP 081008	8	10	8	5/16	15
JP 081204	8	12	4	5/16	11
JP 081206	8	12	6	5/16	16
JP 101204	10	12	4	5/16	12
JP 101206	10	12	6	5/16	18
JP 101208	10	12	8	5/16	21
JP 121204	12	12	4	5/16	17
JP 121206	12	12	6	5/16	21
JP 121208	12	12	8	5/16	24



### CERTIFICATIONS

CSA Certified LR28852

UL Listed E33075



LISTED 4375













**TAB**



# PUSH BUTTONS

## Explosionproof & Dust-Tight Push Buttons

**Class I, Groups B, C & D**  
**Class II, Groups E, F & G**  
**NEMA 3, 4, 7 & 9**

### STANDARD FEATURES

- All operators are die cast aluminum alloy. The barrels are all 3/4" NPSM thread. Maximum installation thickness 1 3/4" long barrel, 3/4" short barrel.
- Black molded nylon buttons. The exposed metal parts are black anodized aluminum. For color coding we will furnish at no additional cost the following color combinations: Red buttons with red metal caps and green buttons with green metal caps. Metal caps are also available in blue, gold or clear with black buttons. Specify colors required.
- Red Mushroom head buttons are 1 3/4" diameter anodized aluminum. Also available in black or green.
- XHPBPL has padlock attachment on top of cap allowing operator to be locked with the push button depressed.
- For use with BT contact blocks. Contact blocks can be stacked for multiple circuits. Contact blocks are not included with the operators.
- XHPPM/XHPPMS require 2" minimum spacing.
- XHPB pushbuttons are momentary.
- XHPP pushbuttons are maintained.

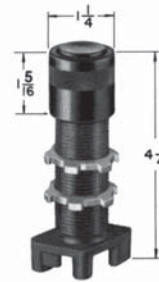
**FOR USE WITH SERIES BT CONTACT BLOCKS**

Catalog #	Operator Description	Weight (lbs.)
XHPB	Long Barrel	1/2
XHPBS	Short Barrel	1/2
XHPBM	Red Mushroom Head, Long Barrel	1/2
XHPBMS	Red Mushroom Head, Short Barrel	1/2
XHPBPL	W/Padlock devices, Long Barrel	3/4
XHPBSPL	W/Padlock devices, Short Barrel	3/4
XHPPM*	Push/Pull switches, Long Barrel	3/4
XHPPMS*	Push/Pull switches, Short Barrel	3/4

\*Type BT1 contact block is included

LEGEND PLATES AT END OF SECTION

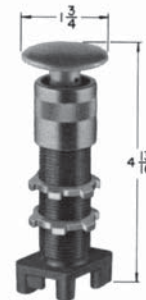
**NOTE** For extremely wet-dirty location applications, XHPB and XHPBS series are available to be used with protective boots.



XHPB



XHPBS



XHPBM



XHPBMS



XHPPM



XHPPMS



XHPBPL



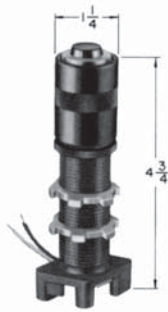
XHPBSPL



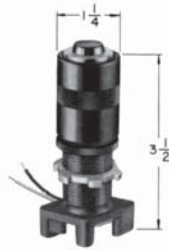
# PUSH BUTTONS

## Indicator Light/Push Button Push-To-Test Operators

**Class I, Groups C & D  
Class II, Groups E, F & G  
NEMA 7 & 9**



**XLP Long Series**  
(Long Barrel)



**XLPS Short Series**  
(Short Barrel)

### STANDARD FEATURES

- Die cast aluminum alloy. The barrels are all  $\frac{3}{4}$ " NPSM thread. Maximum installation thickness 1  $\frac{15}{16}$ " Long Barrel,  $\frac{3}{4}$ " Short Barrel.
- Furnished standard with 120 volt slide base lamp. Also available for 6, 12, 24, 28, 48 and 60 volts. Specify when ordering.
- For use with BT contact blocks. Contact blocks can be stacked for multiple circuits. Contact blocks are not included with the operators. For NEMA 4 application, add boot and special legend plate. (See accessories at end of section)

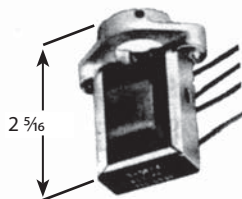
#### LONG BARREL

Catalog #	Operator Description	Weight (lbs.)
XLPA	Amber Lens	$\frac{3}{4}$
XLPB	Blue Lens	$\frac{3}{4}$
XLPC	Clear Lens	$\frac{3}{4}$
XLPG	Green Lens	$\frac{3}{4}$
XLPR	Red Lens	$\frac{3}{4}$
XLPW	White Lens	$\frac{3}{4}$

#### SHORT BARREL

Catalog #	Operator Description	Weight (lbs.)
XLPAS	Amber Lens	$\frac{1}{2}$
XLPBS	Blue Lens	$\frac{1}{2}$
XLPCS	Clear Lens	$\frac{1}{2}$
XLPGS	Green Lens	$\frac{1}{2}$
XLPRS	Red Lens	$\frac{1}{2}$
XLPWS	White Lens	$\frac{1}{2}$

LEGEND PLATES AT END OF SECTION



**XLT**

### Pilot Light Transformers

One transformer required for each pilot light. Adapter furnished for mounting on threaded pilot light stem, or can be mounted to housing as space requires.

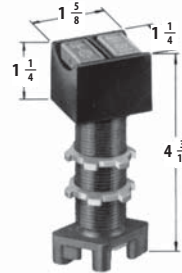
#### PILOT LIGHT TRANSFORMERS

Catalog #	Description	Weight (lbs.)
XLT 240	240 to 120 Volt, 6VA	1

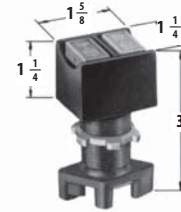
# PUSH BUTTONS

## Dual Push Button Operator or Maintained Contact Unit

**Class I, Groups B, C & D**  
**Class II, Groups E, F & G**  
**NEMA 3, 4, 7 & 9**



**XHDPB**  
**XHDMC**



**XHDPBS**  
**XHDMCS**

### STANDARD FEATURES

- Die cast aluminum alloy. The barrels are all  $\frac{3}{4}$ " NPSM thread. Maximum installation thickness 1  $\frac{1}{16}$ " Long Barrel,  $\frac{3}{4}$ " Long Barrel.
- For use with BT contact blocks. Contact blocks can be stacked for multiple circuits. Contact blocks are not included with XHD operators. (See accessories at end of section)

### FOR USE WITH SERIES BT CONTACT BLOCKS

Catalog #	Operator Description	Weight (lbs.)
XHDPB	Long Barrel - momentary*	$\frac{1}{2}$
XHDPBS	Short Barrel - momentary*	$\frac{1}{2}$
XHDMC	Maintained Contact, Long Barrel	$\frac{1}{2}$
XHDMCS	Maintained Contact, Short Barrel	$\frac{1}{2}$

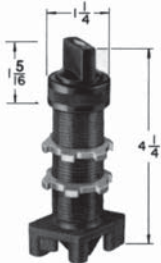
\*Two contacts in the BT contact block are actuated independently

LEGEND PLATES AT END OF SECTION

# SELECTOR SWITCHES

## Selector Switch Operators

**Class I, Groups B, C & D**  
**Class II, Groups E, F & G**  
**NEMA 3, 4, 7 & 9**



**XHSS**



**XHSSS**



**XHSSPL**



**XHSSSPL**



**XSSL**



**XSSS**

LEGEND PLATES AT END OF SECTION

**NOTE** For extremely wet-dirty location applications, use protective boots.  
 EXCLUDES PADLOCK DEVICES.

### STANDARD FEATURES

- Die cast aluminum alloy. The barrels are all 3/4" NPSM thread. Maximum installation thickness: 1 15/16" Long Barrel, 3/4" Short Barrel.
- Specify 2 position or 3 position. For 3-position, order must specify cam (see contact block page for contact sequence chart).
- All operators have black molded nylon knobs. The exposed metal parts are black anodized aluminum. Metal caps are also available in blue, gold, clear, red or green with black knobs. Specify colors required.
- Contact blocks are not included with XHSS operators. Select contact block and sequence operating cam from contact block page. (See accessories at end of section)

LONG BARREL				
Catalog #	Cam	# Pos.	Operator Description	Weight (lbs.)
XHSS		2/3	Long Barrel	1/2
XHSC*		3	Spring Return to Center from Right and Left	1/2
XHSR2	2	2	Spring Return to Left from Right	1/2
XHSR		3	Spring Return to Center from Right, Maintain Left	1/2
XHSL2		2	Spring Return to Right from Left	1/2
XHSL		3	Spring Return to Center from Left, Maintain Right	1/2

SHORT BARREL				
Catalog #	Cam	# Pos.	Operator Description	Weight (lbs.)
XHSSS		2/3	Short Barrel	1/2
XHSSC*		3	Spring Return to Center from Right and Left	1/2
XHSSR2	2	2	Spring Return to Left from Right	1/2
XHSSR		3	Spring Return to Center from Right, Maintain Left	1/2
XHSSL2		2	Spring Return to Right from Left	1/2
XHSSL		3	Spring Return to Center from Left, Maintain Right	1/2

SELECTOR SWITCH		
Catalog #	Operator Description	Weight (lbs.)
XHSSPL	W/padlock device Long Barrel	3/4
XHSSSPL	W/padlock device Short Barrel	3/4
XSSL-4P	Long Barrel, Four Position	3/4
XSSL-5P	Long Barrel, Five Position	3/4
XSSS-4P	Short Barrel, Four Position	3/4
XSSS-5P	Short Barrel, Five Position	3/4

\*3 Position Only

EXPLOSIONPROOF  
 Operators & Auxiliary Devices

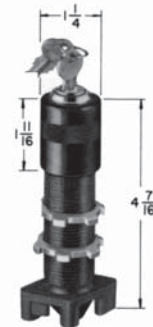
# SELECTOR SWITCHES

## Keylock Selector Switch Operators

**Class I, Groups B, C & D**  
**Class II, Groups E, F & G**  
**NEMA 3, 4, 7 & 9**

### STANDARD FEATURES

- The barrels are all 3/4" NPSM thread. Max. installation thickness: 1-15/16" Long Barrel, 3/4" Short Barrel.
- Selector switch operators can be used as 2 position or 3 position by removal of knob and rotating knob 180°.
- The actuator cam which operates the plungers on the contact blocks can be readily changed for various contact sequences. FOR 3 POSITION, ORDERS MUST STATE CAM NUMBER.
- The exposed metal parts are black anodized aluminum.
- Contact blocks are not included with operators. Select contact block and sequence operating cam from contact block page.



XHKSS



XHKSSS

### LONG BARREL

Catalog #	Cam	# Pos.	Operator Description	Weight (lbs.)
XHKSS		2/3	Long Barrel	1/2
XHKSC*		3	Spring Return to Center from Right and Left	1/2
XHKSR2	2	2	Spring Return to Left from Right	1/2
XHKSR		3	Spring Return to Center from Right, Maintain Left	1/2
XHKSL2	4	2	Spring Return to Right from Left	1/2
XHKSL		3	Spring Return to Center from Left, Maintain Right	1/2

### SHORT BARREL

Catalog #	Cam	# Pos.	Operator Description	Weight (lbs.)
XHKSSS		2/3	Short Barrel	1/2
XHKSSC*		3	Spring Return to Center from Right and Left	1/2
XHKSSR2	2	2	Spring Return to Left from Right	1/2
XHKSSR		3	Spring Return to Center from Right, Maintain Left	1/2
XHKSSL2	4	2	Spring Return to Right from Left	1/2
XHKSSL		3	Spring Return to Center from Left, Maintain Right	1/2

### FOR 2-POSITION

Key removable in one position only. For key removal in two positions, consult factory.

### FOR 3-POSITION

Key normally removable in one position only specify right, center or left. For key removal in more than one position, consult factory.

## Potentiometer & Switch Operators

### STANDARD FEATURES

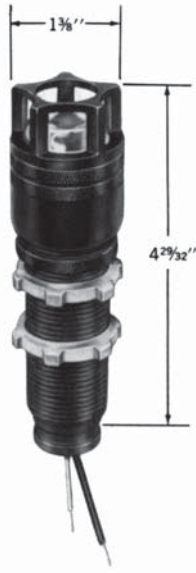
- Die cast aluminum alloy. The barrels are all 3/4" NPSM thread. 1/4" diameter shafts. Maximum installation thickness: 1-15/16" panel mount, 3/4" surface mount.
- XPO-XPOS have knob and dial marked 1 to 100. Two dial sizes are available.
- XPOC-XPOCS have 15 turn counting dial.
- Operators include 3 pc. coupling and device mounting bracket.
- Potentiometers not furnished, consult factory.



Catalog #	Operator Description	Mounting	Weight (lbs.)
XPO	Plain Dial	Long Barrel	1/2
XPOL	Plain Dial, Large Size	Long Barrel	1/2
XPOC	Counting Dial	Long Barrel	3/4
XPOS	Plain Dial	Short Barrel	1/2
XPOS�	Plain Dial, Large Size	Short Barrel	1/2
XPOCS	Counting Dial	Short Barrel	1/2

The ADALET Engineering Department is Available to Assist you in the Selection of Enclosures and Accessories.

## Guarded Pilot Lights for Group B Applications



**XL Long Series  
(Panel Mount)**



**XLS Short Series  
(Surface Mount)**



**Replacement Cap**

**Class I, Groups B, C & D  
Class II, Groups E, F & G  
NEMA 3, 4, 7 & 9**

### STANDARD FEATURES

- Explosionproof pilot lights are suitable for long barrel or short barrel applications.
- Sealed construction and can be relamped from the front by removal of lens cap.
- Made with 3/4" NPSM threads.
- 8" flexible leads, other lengths on special order, or screw terminal (suffix T).
- All lens caps are black anodized aluminum finish.
- Maximum installation thickness: 1 13/16" on Long Series, 5/8" on Short Series.
- Standard Series-Equipped with candelabra base receptacles and 6 watt 120 volt 6S6 Clear 1500 hr. avg. lamps. Also available with 6, 12, 24, 30, 50, 75 and 135 volt lamps. Specify voltage desired.
- Slide Base Series-Equipped with slide base receptacles and 120 volt 5000 hr. avg. lamps with slide base. Also available with 6, 12, 24, 48 and 60 volt lamps. Specify voltage desired.

### STANDARD SERIES

Long Barrel Cat #	Short Barrel Cat #	Description	Weight (lbs.)
XLA-GH	XLSA-GH	Amber Lens	1/2
XLB-GH	XLSB-GH	Blue Lens	1/2
XLC-GH	XLSC-GH	Clear Lens	1/2
XLG-GH	XLSG-GH	Green Lens	1/2
XLR-GH	XLSR-GH	Red Lens	1/2
XLW-GH	XLSW-GH	White Lens	1/2

### SLIDE BASE SERIES

Long Barrel Cat #	Short Barrel Cat #	Description	Weight (lbs.)
XLAS-GH	XLSAS-GH	Amber Lens	1/2
XLBS-GH	XLSBS-GH	Blue Lens	1/2
XLCS-GH	XLSCS-GH	Clear Lens	1/2
XLGS-GH	XLSGS-GH	Green Lens	1/2
XLRS-GH	XLSRS-GH	Red Lens	1/2
XLWS-GH	XLSWS-GH	White Lens	1/2

\*Add suffix T to P/N for screw terminal (Example: XLAST-GH)

### REPLACEMENT CAP

Cat #	Description	Weight (lbs.)
XLA-GCH	Amber Lens	1/8
XLB-GCH	Blue Lens	1/8
XLC-GCH	Clear Lens	1/8
XLG-GCH	Green Lens	1/8
XLR-GCH	Red Lens	1/8
XLW-GCH	White Lens	1/8

# LED PILOT LIGHTS

## Guarded LED Pilot Lights for Group B Applications

**Class I, Groups B, C & D**  
**Class II, Groups E, F & G**  
**NEMA 3, 4, 7 & 9**

### STANDARD FEATURES

- Suitable for panel or surface mount applications. All candelabra base LED lights can be relamped from the front by removal of the lens cap.
- Made with 3/4" NPSM threads.
- All LED pilot lights have 8" flexible leads, other lengths on special order, or screw terminal.
- Add suffix T to P/N for screw terminal.
- All lens caps are black anodized aluminum finish with colored glass lens.
- Maximum installation thickness: 1-13/16" on Long Barrel (Long Series), 5/8" on Short Barrel (Short Series).

#### LED Advantages:

- 10 Year/100,000 hour service life under normal ambient conditions.
- Up to 4x more energy efficient.
- Improved resistance to shock and vibration.
- LEDs operate significantly cooler than traditional lamps.
- Ultra bright cluster LED's.

STANDARD SERIES			
Long Barrel Cat #	Short Barrel Cat #	Description	Weight (lbs.)
XLRL-GH	XLSRL-GH	Red	1/2
XLAL-GH	XLSAL-GH	Amber	1/2
XLGL-GH	XLSGL-GH	Green	1/2
XLWL-GH	XLSWL-GH	White	1/2
XLBL-GH	XLSBL-GH	Blue	1/2

\*Add suffix T to P/N for screw terminal (Example: XLRLT-GH)

120V dual polarity supplied as standard. 5,12,24,48,60 volts optional, consult factory.



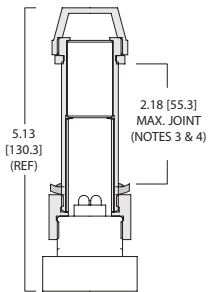
**XL Long Series (Panel Mount)**



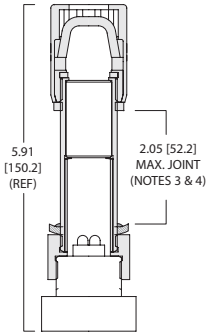
**XLS Short Series (Surface Mount)**

# ATEX LED PILOT LIGHTS

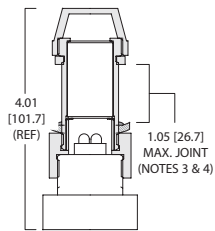
## ATEX Certified LED Pilot Lights



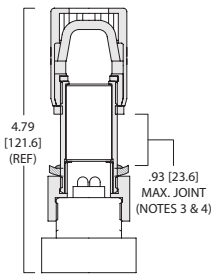
**XLX**  
LONG BODY  
STANDARD CAP



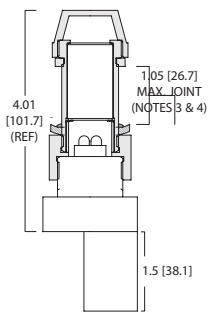
**XLX - G**  
LONG BODY  
CLASSIC GUARDED CAP



**XLXS**  
SHORT BODY  
STANDARD CAP



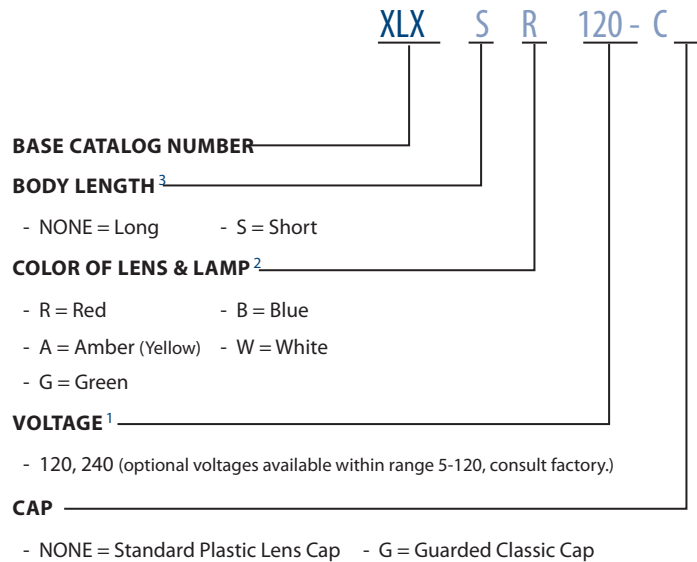
**XLXS - G**  
SHORT BODY  
CLASSIC GUARDED CAP



**XLXS 240**  
SHORT BODY  
STANDARD CAP  
w/ OPTIONAL 240V BASE

### STANDARD FEATURES

- Explosionproof pilot lights are suitable for panel or surface mount applications. Superior Safety Lamps located inside enclosure (not under lens cap) for worry-free operation.
- Configurable: Your choice of color, short or long lengths, guarded or unguarded caps, and 120 or 240 Volt lamps.
- 240 Volt Power Option Use optional resistor type base for 240 Volt applications.
- Low Maintenance 10 year/100,000 service life under normal ambient conditions.
- Efficient 4x more efficient than standard incandescent bulbs.
- Improved Visibility Utilizes ultra-bright cluster LED's.



<sup>1</sup> 240 Volt lamp requires optional resistor type base (P/N 31216-1). Maximum lamp Voltage is 120.

<sup>2</sup> Color of lamp and lens are normally the same. White lamp uses clear lens cap.

<sup>3</sup> Minimum length of threaded joint = seven threads (Group B), = five threads (Group C).

<sup>4</sup> Maximum installation thickness shown for classic guarded and classic unguarded cap models may be increased .15" by discarding knurled lock ring. Minimum length of threaded joint must be satisfied.

### CERTIFICATIONS

ATEX Directive 94/9/EC  
 EN 60079-0 / EN 60079-1  
 UL 60079-0 / UL 60079-1  
 IEC 60079-0 / IEC 60079-1  
 UL 698 / UL 1203 / CSA C22.2 No.30  
 UL 50  
 IEC 60529

0539 Ex II 2 GD Ex d IIB+H2 T6 : -20° C ≤ Ta ≤ +55° C  
 DEMKO Certificate: 05 ATEX 0530154U  
 Class I, Zone 1, AEx d IIB+H<sub>2</sub> T6 Tamb -20° C to +55° C  
 Ex d IIB+H<sub>2</sub> T6 Tamb -20° C to +55° C  
 Class I, Groups B, C & D; Class II, Groups E, F & G  
 Type 4, 4X, 7 & 9  
 IP66



EXPLOSIONPROOF  
Operators & Auxiliary Devices

# SPECIAL OPERATORS

## Reset Button Operators

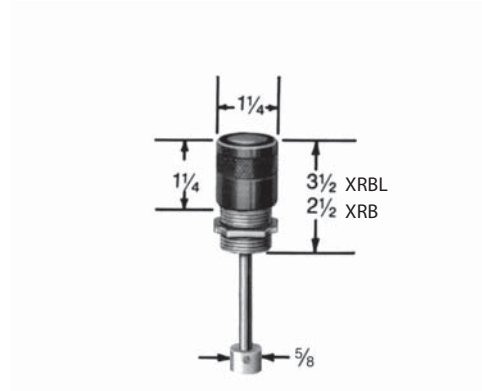
**Class I, Groups B, C & D**  
**Class II, Groups E, F & G**  
**NEMA 3, 4, 7 & 9**

### STANDARD FEATURES

- Used for resetting contactors, relays, etc. in explosionproof and weather-proof enclosures. Made with  $\frac{3}{4}$ " NPSM threaded stem.
- Standard operating shaft length 6" can be cut to length. Special lengths are also available. Use XRBL for wall thickness greater than  $\frac{3}{4}$ ".

### RESET BUTTON

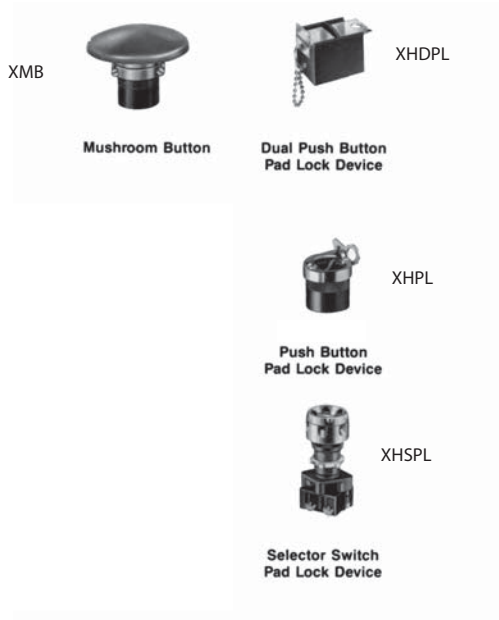
Catalog #	Operator Description	Weight (lbs.)
XRBL	Reset Button - Long	$\frac{1}{2}$
XR	Reset Button - Short	$\frac{1}{2}$



XRBL / XR



## Push Button & Selector Switch Components



### STANDARD FEATURES

- Operator locking caps and actuator devices can be adapted to existing explosion proof operators.
- Simple installation requires removal of top cap and threading on the replacement unit.

### PUSHBUTTON & SELECTOR SWITCH

Catalog #	Description	Weight (lbs.)
XHDPL	Padlock Device for Dual Push Button	¼
XHPL	Padlock Device to activate Push Button	¼
XHSPL	Padlock Device for Selector Switch	¼
XMB	Red Mushroom Head 2 ¼" Button	¼
XHPLG	Padlockable Push Button Cover (Not Shown)	¼

**NOTE** Mushroom button and wobble stick recommended only for operators with normally closed contact blocks.

## Operator Protective Boots

### STANDARD FEATURES

- Molded silicone rubber, protective boots for use with explosion proof operators in extremely wet-dirty locations. Makes operators suitable for NEMA 3, 4, 4X, 5, 7, 9, 12,13 application.
- Boot and metal collar are an integral assembly available as a factory adder or a field replacement.
- Simple installation requires removal of existing cap and threading on the replacement.

### PUSHBUTTON & SELECTOR SWITCH

Weight (lbs.)	Catalog #	Description
XBB	Black Push Button Cap	1 oz.
XBG	Green Push Button Cap	1 oz.
XBR	Red Push Button Cap	1 oz.
XBSB	Black Selector Switch Cap	1 oz.
XBSG	Green Selector Switch Cap	1 oz.
XBSR	Red Selector Switch Cap	1 oz.

**NOTE** To order as complete operator, add part # as suffix



# ACCESSORIES

## Close Up Plugs For Unused Operator Openings

### CLOSE UP PLUGS

Catalog #	Operator Description	Weight
XPPH3-N4	3/4" NPSM Type 4	3/4 oz.



XPPH3-N4  
BLACK ANODIZED

## Legend Plates

### STANDARD FEATURES

- Legend plates are anodized aluminum with engraved letters on black background (XNP).
- Stop has red and start has green background.
- Special engraved legend plates can be supplied.
- Legend plate has foam gasket backing for use with protective boots for sealing. Engraving 1 line only see Price List (XNPW).

### SPECIFY LEGEND PLATE

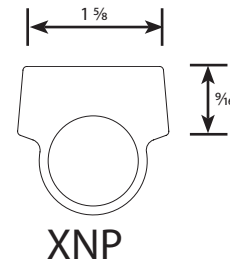
Catalog #	Operator Description	Weight (oz.)
XNP	Specify Legend	1
XNPL	Specify Legend	1

### LEGEND PLATES

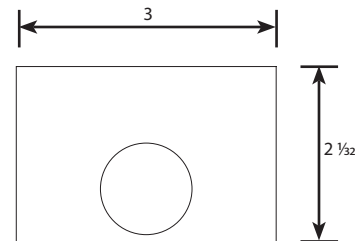
Catalog #	Operator Description	Weight (oz.)
XNPWB	Black Blank Legend Plate	1
XNPWG	Green Blank Legend Plate	1
XNPWR	Red Blank Legend Plate	1
XNPW XL	Specify Legend	1

### STANDARD MARKING

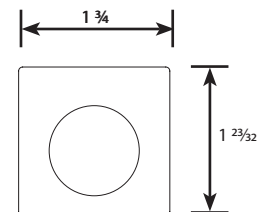
FOR PUSH BUTTON			FOR SELECTOR SWITCHES	
(BLANK)	SLOW	RESET	RUN-JOG	OPEN-OFF-CLOSE
START	OPEN	IN	HAND-AUTO	FAST-OFF-SLOW
INCH	CLOSE	OUT	FWD-REV	RUN-AUTO-JOG
STOP	UP	LEFT	FAST-SLOW	HAND-OFF-AUTO
RUN	JOG	RIGHT	OPEN-CLOSE	FWD-OFF-REV
FORWARD	ON	LOW	UP-DOWN	1-OFF-2
REVERSE	OFF	HIGH	OFF-ON	UP-OFF-DOWN
FAST	BACK	DOWN		
EMERGENCY STOP				



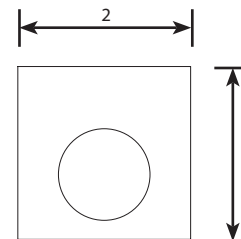
XNP



XNPL



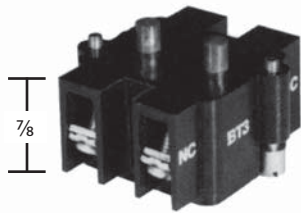
XNPW\_



XNPW X-L

# CONTACT BLOCKS

## 600 Volts AC Maximum Contact Blocks for Push Buttons & Selector Switches



**Series BT Contact Blocks Extend 7/8" beyond operator**

**Contact Blocks can be stacked for multiple circuits. (max. four)**

SERIES BT				
Catalog #	Contact Block	Push Button	Selector Switch	Weight (lbs.)
BT1A	One Open and One Closed	1 N.O. 1 N.C.	See Chart	1/10
BT1B	One Closed and One Open (this is BT1A block rotated 180 degrees when assembled to operator)	1 N.C. 1 N.O.		1/10
BT2	Two open	1 N.O. 1 N.O.	Specify Cam and Contact Block	1/10
BT3	Two closed	1 N.C. 1 N.C.		1/10
BT4	One open	1 N.O.		1/10
BT5	One closed	1 N.C.		1/10
BT44	Two open	1 N.C. 1 N.O.		1/10
	Two closed	1 N.O. 1 N.C.		1/10

### CONTACT SEQUENCE CHART

Circuit of Contact Block	Contact Block Number		Cam 1 Contact Sequence	Cam 2 Contact Sequence	Cam 3 Contact Sequence	Cam 4 Contact Sequence	Cam 5 Contact Sequence	Cam 6 Contact Sequence
O = Contact Open X = Contact Closed								
Normally Closed (NC) Normally Open (NO)	BT1A	Circuit A Circuit B	X O O X	O X O O O X	O X X O O X	X O O O X O	O X X X X O	X O O O X O
Normally Closed (NC) Normally Open (NO)	BT1B*	Circuit B Circuit A	X O O X	X X O X O X	X X O X O O	X O X O X X	O O X X O O	O O X O O X
Normally Open (NO) Normally Open (NO)	BT2	Circuit A Circuit B	O X O X	X O X O O X	X O O O O X	O X X O X O	X O O X X O	O O X O X O
Normally Closed (NC) Normally Closed (NC)	BT3	Circuit A Circuit B	X O X O	O X O X X O	O X X X X O	X O O X O X	O X X O O X	X O O O O X

\* This contact block is same as BT1A one N.C. and one N.O. except rotated 180° when assembled to operator.

### MAX RATING: TYPE BT CONTACT BLOCKS

Volts		AC				DC			
		110	220	440	550	24/28	120	240	600
Make & Emergency Interrupting Capacity	A	60.	30.	15.	12.	5.7	1.1	0.5	0.2
Normal Load Break	A	6.	3.	1.5	1.2	5.7	1.1	0.5	0.2
Continuous Current	A	10.	10.	10.	10.	5.	10.	10.	10.5

# MINIATURE OPERATORS

## Miniature Operators

**Class I, Groups B, C & D**  
**Class II, Groups E, F & G**  
**NEMA 4, 7 & 9**

### STANDARD FEATURES

- Reduce size of control enclosure requirements in hazardous environments.
- Mount on 1" centers vs. standard operators requiring 2 1/2" centers.
- No special enclosures required; can be installed in most ADALET standard explosionproof enclosures.
- 3/8"-16 UNC thread size body.
- Black anodized body, cap, button or knob
- Two lengths available: Long Series Accommodates up to 1 9/16" enclosure wall thickness. Short Series Accommodates up to 1 3/16" enclosure wall thickness
- Stainless steel actuator shaft.
- Optional red or green button (Push button Operator only)

### PUSH BUTTONS

Cat # Panel Mount	Cat # Surface Mount	Contact Configs.	Weight
XMOB-1	XMOBS-1	SPDT maintained	1 oz.
XMOB-2	XMOBS-2	SPDT momentary	1 oz.
XMOB-3*	XMOBS-3*	DPDT maintained	1 oz.
XMOB-4	XMOBS-4	DPDT momentary	1 oz.

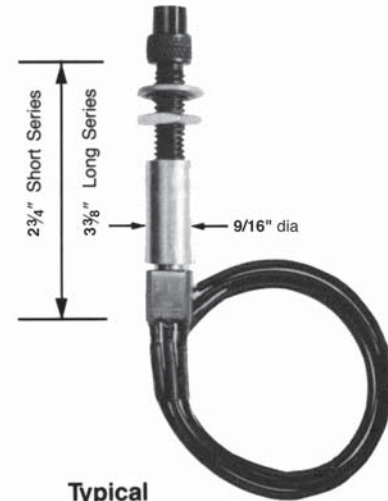
\* Not UL or CSA Approved

- Solid silver contacts rated 5 amps at 125 VAC, 3 amps at 250 VAC.
- Insulation resistance 1000 megohm minimum.
- Furnished with contact block having 8" wire leads, other lengths available.
- Optional red or green button (Push button Operator only)

### PUSH BUTTONS

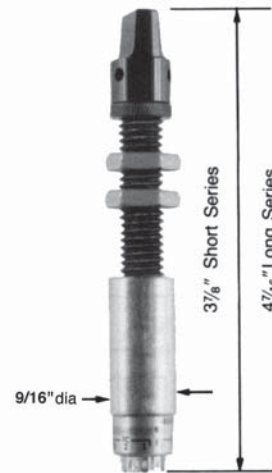
Cat # Panel Mount	Cat # Surface Mount	Contact Configs.	Weight
XMOS-1	XMOSS-1	Single Pole, 12 position	1 oz.
XMOS-2	XMOSS-2	Double Pole, 5 position	1 oz.
XMOS-3	XMOSS-3	Three Pole, 3 position	1 oz.

- Selector switches provided with internal adjustable stop.
- Silver contacts rated 150 m.a. at 30 VAC, NEC CL 2 circuit.
- Insulation resistance 10,000 megohms minimum.
- Furnished with contact block having solder type wire connectors.



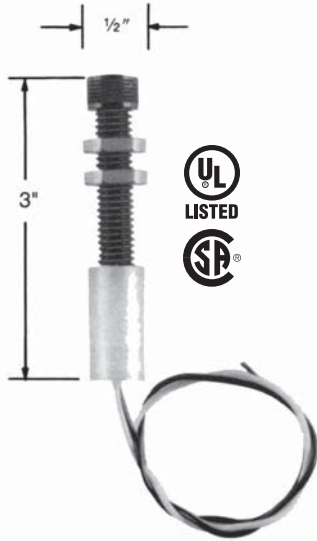
Typical  
Push button Series

XMOB



Typical Selector  
Switch Series

XMOS



## Indicator LED Light

**Class I, Groups B, C & D**  
**Class II, Groups E, F & G**  
**NEMA 4, 7 & 9**

### STANDARD FEATURES

- Up to 100,000 hours lamp life.
- Standard 12 VDC furnished. Optional 24 VDC, or 12, 24, 120 VAC available.
- Black anodized body and lens cap.
- 3/8" - 16 UNC thread size body.
- One length-accommodates up to 1 3/16" enclosure wall thickness.
- Furnished with 8" flexible wire leads, other lengths available.

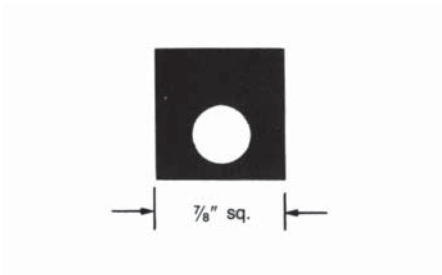
SURFACE MOUNTING		
Catalog #	Operator Description	Weight (lbs.)
XMOLR	Red Indicator Light	1 oz.
XMOLA	Amber Indicator Light	1 oz.
XMOLG	Green Indicator Light	1 oz.

## Close Up Plugs For Unused Operator Openings



CLOSE UP PLUGS	
Catalog #	Weight
XMPP	1/2 oz.

## Legend Plates Standard Marking



LEDGEND PLATES		
Catalog #	Description	Weight
XMNP	Specify legend	1/2 oz.

STANDARD MARKING				
FOR PUSH BUTTON				FOR SELECTOR SWITCHES
(BLANK)	SLOW	RESET	START	RUN-JOG
OPEN	IN	INCH	CLOSE	HAND-AUTO
OUT	STOP	UP	LEFT	FWD-REV
RUN	JOG	RIGHT	FORWARD	FAST-SLOW
ON	LOW	REVERSE	OFF	OFF-ON
HIGH	FAST	BACK		OPEN-CLOSE
				UP-DOWN

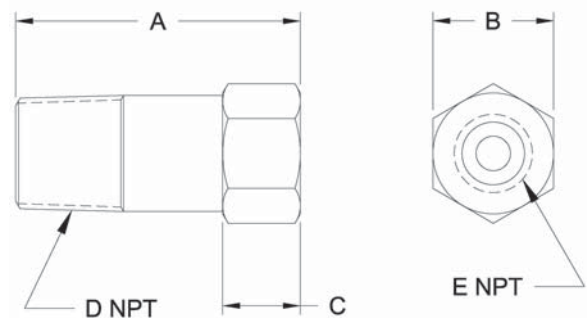
# Flame Arrestor Fitting

## STANDARD FEATURES

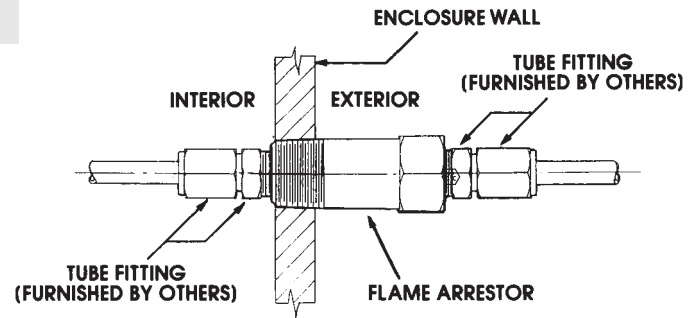
- Provides thru-wall connections of tubing systems for electro/pneumatic and gas analysis devices installed within Adalet's explosionproof enclosures.
- The flame arrestor fitting is designed to prevent flame propagation thru tubing systems with minimum flow restrictions of control pressures.
- Manufactured from 316 L stainless steel.
- Weight: 4 oz.



### XFAX2



## TYPICAL FIELD INSTALLATION



Exterior enclosure wall counter boring may be required to maintain 1/2" enclosure wall thickness for ease of field connections.

Overall Dimension							Control Restrictions
Catalog Number	A	B	C	D NPT	E NPT	Wt. Oz.	
XFA2	2-1/16	7/8	9/16	1/2-14	1/4-18	4	0.5 PSI drop at 20 CFH airflow 1.3 PSI drop at 34 CFH airflow
XFAX2	2-1/16	7/8	9/16	1/2-14	1/4-18	4	1 PSI drop at 18 CFH airflow 5 PSI drop at 53 CFH airflow
XFAX3	2-1/8	1-1/16	9/16	3/8-18	3/8-18	8	Consult Factory
XFAX4	2-7/16	1-3/8	9/16	1/2-14	1/2-14	12	Consult Factory

## CERTIFICATIONS

XFA2

Class I, Groups C & D

UL 1203

CSA C22.2 No. 30

XFAX2\*

Class I, Groups B, C & D

UL 1203

NEMA 7

CSA C22.2 No. 30

0539@ II 2 G

ATEX DIRECTIVE 94/9/EC

EEx d IIB



\*ATEX APPLICATION NOTE: Maximum Enclosure Volume 41000 cm<sup>3</sup> (2500 in<sup>3</sup>)

















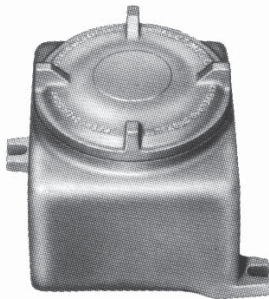
**TAB**

# Explosionproof Enclosures with Screw Covers

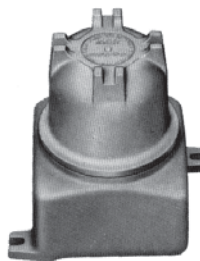
Adalet Junction Boxes and Instrument Housings are designed for installation in electrical conduit systems for hazardous environments.

Use for the wiring of pull boxes, splices, taps and terminal strips; or as a housing for apparatus, instruments and other equipment.

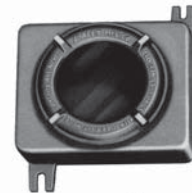
## 3 Designs Available



Solid Threaded  
Cover



Threaded Dome  
Cover



Threaded Glass  
Cover

- Rugged sand-cast aluminum copper-free alloy — 0.3% max. copper content.
- Tumbled for quality appearance.
- Cast-on mounting lugs, ease of field installation.
- Grounding screw standard.
- NEMA 3, 4; Features installation of an O-ring gasket on cover.
- Conduit openings drilled and tapped to customer requirements - can be field drilled & tapped.
- Cast-on mounting buttons, bosses and pads available.
- Additional feet can be added to two legged enclosures on orders of 10 or more (additional charges apply).
- Optional mounting pans available.

**NOTE** Where reference is made to Class I and Class II hazardous locations, the equipment is suitable for use in both Division 1 and Division 2 hazardous locations.

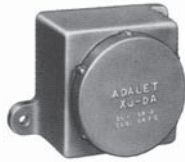
# SCREW COVER

## Explosionproof Meter Housings - Screw Cover

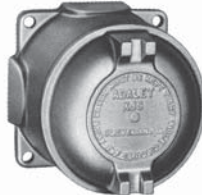
- Drilled and tapped to specification, attach layout sheet.
- Dimensions are nominal internal.



**XJDH N4**  
4 1/8" x 4 1/8" x 3"  
Cover Opening 3 3/4"



**XJDAH N4**  
5 3/4" x 5 3/4" x 4 7/8"  
Cover Opening 4 3/16"



**XJSH N4**  
(Tapped on side pads only)  
4" I.D. x 2 22/32" depth  
Cover Opening 4"



**XJLH N4**  
6" x 6" x 3 3/16"  
Cover Opening 5 3/8"



**XJTH N4**  
5 13/16" x 6 9/16" x 4"  
Cover Opening 5 3/8"



**XJXH N4**  
4 7/8" x 4 7/8" x 3 1/16"  
Cover Opening 4 3/4"



**XJMHN4**  
6 3/4" x 6 3/4" x 8"  
Cover Opening 7"



**XJMAH N4**  
6 3/4" x 6 3/4" x 5"  
Cover Opening 7"



**XJMCH N4**  
6 3/4" x 6 3/4" x 3"  
Cover Opening 7"



**XJHAH N4**  
7 3/16" x 9 3/16" x 4"  
Cover Opening 7"



**XJHBH N4**  
7 1/4" x 9 1/8" x 6"  
Cover Opening 7"



**XJHCH N4**  
7 3/4" x 10 3/16" x 5"  
Cover Opening 7"



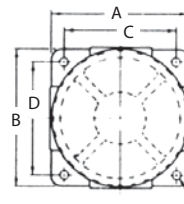
**XJKH N4**  
9 1/2" x 11 1/2" x 6 1/8"  
Cover Opening 9"



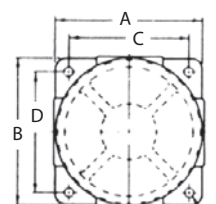
**XJKAH N4**  
9 1/2" x 11 1/2" x 8 1/8"  
Cover Opening 9"



**XJNH 6 & 12 N4**  
11 1/2" x 12 3/4" x 6(12)"  
Cover Opening 10 3/4"



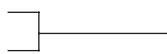
**XJWHH N4**  
6 7/8" I.D. x 4 7/8" D  
Cover Opening 6 7/8"



**XJWTH N4**  
5 3/8" I.D. x 3 3/4" D  
Cover Opening 5 3/8"

### CERTIFICATIONS

Class I, Groups B,C,D  
Class II, Groups E,F,G  
TYPE 4



UL 1203  
CSA C22.2 No. 25 & 30  
UL 50



# SCREW COVER

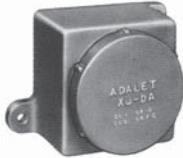
EXPLOSIONPROOF  
Screw Cover Enclosures

## Explosion/Flameproof Meter Housings - Screw Cover

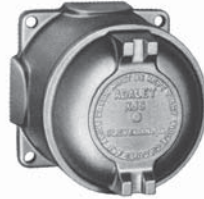
- Drilled and tapped to specification, attach layout sheet.
- Dimensions are internal.



**XJDHX N4**  
4 1/8" x 4 1/8" x 3"  
Cover Opening 3 3/4"



**XJDAHX N4**  
5 3/4" x 5 3/4" x 4 7/8"  
Cover Opening 4 3/16"



**XJSHX N4**  
(Tapped on side pads only)  
4" I.D. x 2 22/32" depth  
Cover Opening 4"



**XJLHX N4**  
6" x 6" x 3 1/16"  
Cover Opening 5 3/4"



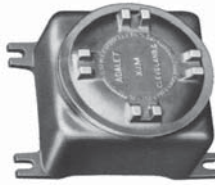
**XJTHX N4**  
5 13/16" x 6 1/16" x 4"  
Cover Opening 5 3/8"



**XJXHX N4**  
4 7/8" x 4 7/8" x 3 1/16"  
Cover Opening 4 3/4"



**XJMHX N4**  
6 3/4" x 6 3/4" x 8"  
Cover Opening 7"



**XJMAHX N4**  
6 3/4" x 6 3/4" x 5"  
Cover Opening 7"



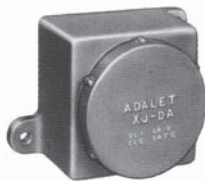
**XJMCHX N4**  
6 3/4" x 6 3/4" x 3"  
Cover Opening 7"



**XJHAHX N4**  
7 3/16" x 9 3/16" x 4"  
Cover Opening 7"



**XJHBHX N4**  
7 1/4" x 9 1/8" x 6"  
Cover Opening 7"



**XJHCHX N4**  
7 3/4" x 10 3/16" x 5"  
Cover Opening 7"



**XJKHX N4**  
9 1/2" x 11 1/2" x 6 1/8"  
Cover Opening 9"



**XJKAHX N4**  
9 1/2" x 11 1/2" x 8 1/8"  
Cover Opening 9"



**XJNHX 6 & 12 N4**  
11 1/2" x 12 3/4" x 6(12)"  
Cover Opening 10 3/4"

### CERTIFICATIONS

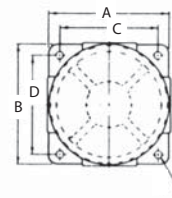
Class I, Groups B,C,D  
Class II, Groups E,F,G  
Class III  
Class I, Zone 1, AEx d IIB+H2  
Ex d IIB+H2  
0539 2GD (Optional)\*  
EEx d IIB+H2 (Optional)\*  
IP 66  
TYPE 4

\*specify ATEX if required

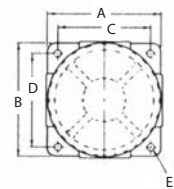


UL 1203  
CSA C22.2 No. 25 & 30

UL 60079-0/UL 60079-1  
CSA 60079-0/CSA 60079-1  
ATEX Directive 94/9/EC  
EN 50014, EN50018  
IEC 60529  
UL 50



**XJWHHX N4**  
6 7/8" I.D. x 4 7/8" D  
Cover Opening 6 7/8"



**XJWTHX N4**  
5 3/8" I.D. x 3 3/4" D  
Cover Opening 5 3/8"

# SCREW COVER

## Explosionproof Meter Housings - Screw Cover

### STANDARD FEATURES

- The heavy wall sections of these boxes are thick enough to provide the required five threads for the maximum conduit size as indicated.
- The boxes are drilled and tapped to specification. (A layout sketch should be attached to each order.)

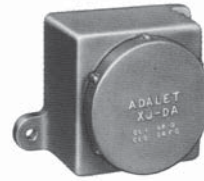
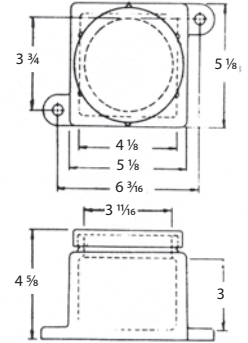
### NOMINAL DIMENSIONS

Catalog #	Max Conduit Size	Nominal Inside Dimensions			Diameter Cover Opening	Mounting Hole Size	Weight Each Pounds
		W	L	D			
XJDH N4	2	4 1/8	4 1/8	3	3 3/4	7/16	5 1/2
XJDAH N4	2	5 3/4	5 3/4	4 7/8	4 3/16	7/16	11 1/2
XJSH N4*	1	4 dia.	-	2 23/32	4	5/16	2 3/4

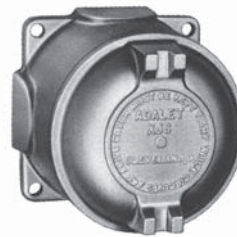
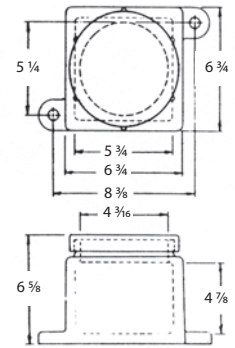
\*XJS can be tapped on side pads only.



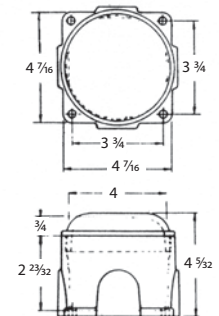
XJDH N4  
XJDHX N4



XJDAH N4  
XJDAHX N4



XJSH N4  
XJSHX N4

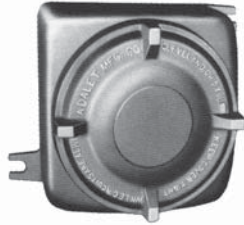
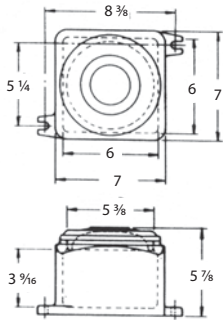


### CERTIFICATIONS



Class I, Groups B,C,D	}	}	UL 1203
Class II, Groups E,F,G			CSA C22.2 No. 25 & 30
TYPE 4			UL 50

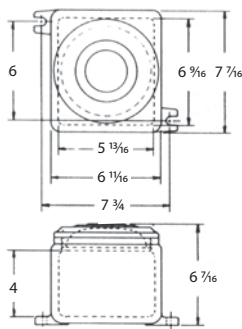
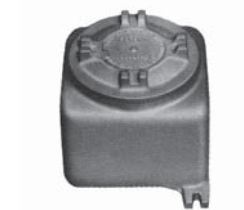
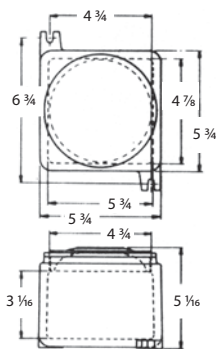
## Explosionproof Meter Housings - Screw Cover

XJLH N4  
XJLHX N4**STANDARD FEATURES**

- The heavy wall sections of these boxes are thick enough to provide the required five threads for the maximum conduit size as indicated.
- The boxes are drilled and tapped to specification. (A layout sketch should be attached to each order.)

**NOMINAL DIMENSIONS**

Catalog #	Max Conduit Size	Nominal Inside Dimensions			Diameter Cover Opening	Mounting Hole Size	Weight Each Pounds
		W	L	D			
XJLH N4	2	6	6	3 3/16	5 3/8	7/16	9 1/2
XJTH N4	2	5 13/16	6 9/16	4	5 3/8	1/2	11
XJXH N4	2	4 7/8	4 7/8	3 1/16	4 3/4	11/32	6 1/4

XJTH N4  
XJTHX N4XJXH N4  
XJXHX N4**CERTIFICATIONS**

Class I, Groups B,C,D  
Class II, Groups E,F,G  
TYPE 4



UL 1203  
CSA C22.2 No. 25 & 30  
UL 50

# SCREW COVER

## Explosionproof Meter Housings - Screw Cover

### STANDARD FEATURES

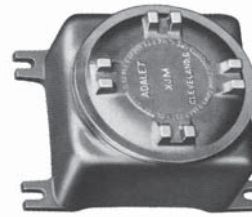
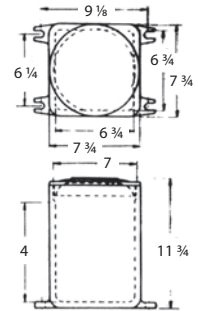
- The heavy wall sections of these boxes are thick enough to provide the required five threads for the maximum conduit size as indicated.
- The boxes are drilled and tapped to specification. (A layout sketch should be attached to each order.)

### NOMINAL DIMENSIONS

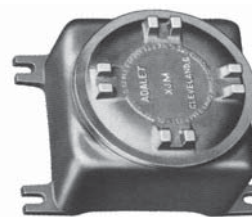
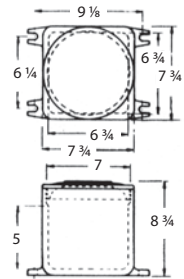
Catalog #	Max Conduit Size	Nominal Inside Dimensions			Diameter Cover Opening	Mounting Hole Size	Weight Each Pounds
		W	L	D			
XJMH N4	2	6 3/4	6 3/4	8	7	7/16	21 1/2
XJMAH N4	2	6 3/4	6 3/4	5	7	7/16	16 1/2
XJMCH N4	2	6 3/4	6 3/4	3	7	7/16	14 1/2



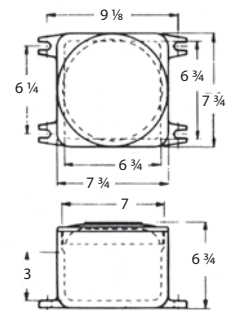
XJMH N4  
XJMHX N4



XJMAH N4  
XJMAHX N4



XJMCH N4  
XJMCHX N4

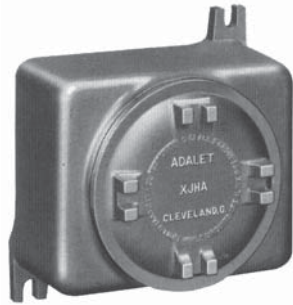
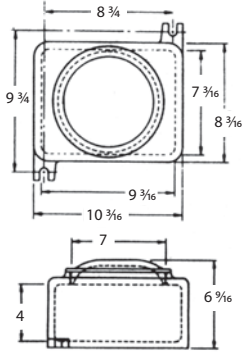


### CERTIFICATIONS



- |                        |   |                       |
|------------------------|---|-----------------------|
| Class I, Groups B,C,D  | } | UL 1203               |
| Class II, Groups E,F,G |   | CSA C22.2 No. 25 & 30 |
| TYPE 4                 |   | UL 50                 |

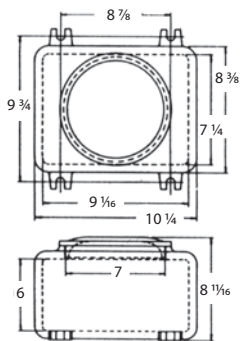
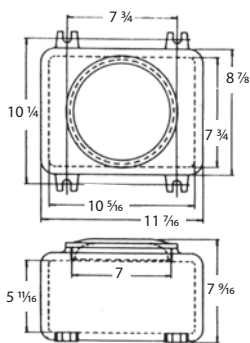
## Explosionproof Meter Housings - Screw Cover

XJHAH N4  
XJHAHX N4**STANDARD FEATURES**

- The heavy wall sections of these boxes are thick enough to provide the required five threads for the maximum conduit size as indicated.
- The boxes are drilled and tapped to specification. (A layout sketch should be attached to each order.)

**NOMINAL DIMENSIONS**

Catalog #	Max Conduit Size	Nominal Inside Dimensions			Diameter Cover Opening	Mounting Hole Size	Weight Each Pounds
		W	L	D			
XJHAH N4	2	7 3/16	9 3/16	4	7	1/16	16 1/2
XJHBH N4	2	7 1/4	9 1/8	6	7	1/16	22
XJHCH N4	2	7 3/4	10 5/16	5	7	1/16	18

XJHBH N4  
XJHBHX N4XJHCH N4  
XJHCHX N4**CERTIFICATIONS**

Class I, Groups B,C,D  
Class II, Groups E,F,G  
TYPE 4



UL 1203  
CSA C22.2 No. 25 & 30  
UL 50

## SCREW COVER

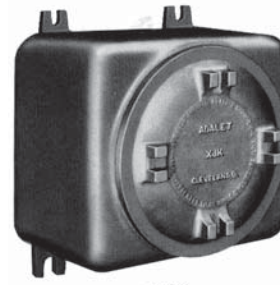
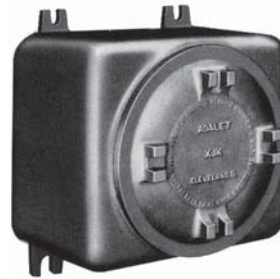
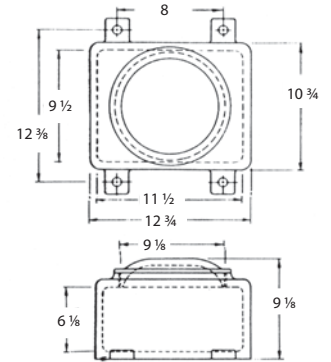
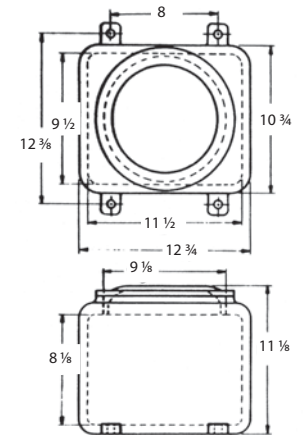
## Explosionproof Meter Housings - Screw Cover

**STANDARD FEATURES**

- The heavy wall sections of these boxes are thick enough to provide the required five threads for the maximum conduit size as indicated.
- The boxes are drilled and tapped to specification. (A layout sketch should be attached to each order.)

**NOMINAL DIMENSIONS**

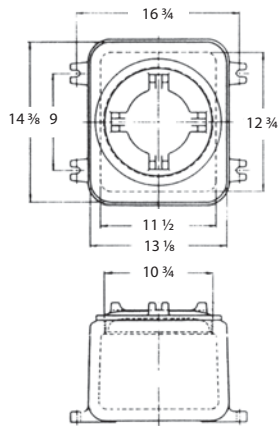
Catalog #	Max Conduit Size	Nominal Inside Dimensions			Diameter Cover Opening	Mounting Hole Size	Weight Each Pounds
		W	L	D			
XJKH N4	3	9 ½	11 ½	6 ⅞	9	⅝	40
XJKAH N4	3	9 ½	11 ½	8 ⅞	9	⅝	44

XJKH N4  
XJKHX N4XJKAH N4  
XJKAHX N4**CERTIFICATIONS**

Class I, Groups B,C,D ———— UL 1203  
 Class II, Groups E,F,G ———— CSA C22.2 No. 25 & 30  
 TYPE 4 ———— UL 50



## Explosionproof Meter Housings - Screw Cover

XJNH N4  
XJNHX N4**STANDARD FEATURES**

- The heavy wall sections of these boxes are thick enough to provide the required five threads for the maximum conduit size as indicated.
- A large cover opening enhances mounting panel installation.
- Two depths available for a wider selection of efficient component packaging
- The boxes are drilled and tapped to specification. (A layout sketch should be attached to each order.)

**NOMINAL DIMENSIONS**

Catalog #	Max Conduit Size	Nominal Inside Dimensions			Diameter Cover Opening	Mounting Hole Size	Weight Each Pounds	Overall Height
		W	L	D				
XJNH 6	4	11 1/2	12 3/4	6	10 3/4	5/8	61	9 13/16
XJNH 12	4	11 1/2	12 3/4	12	10 3/4	5/8	85	13 1/16

**CERTIFICATIONS**

Class I, Groups B,C,D  
Class II, Groups E,F,G  
TYPE 4

UL 1203  
CSA C22.2 No. 25 & 30  
UL 50

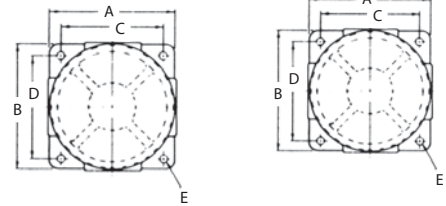


# SCREW COVER

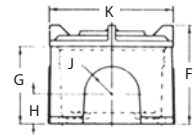
## Explosionproof Meter Housings - Screw Cover

### STANDARD FEATURES

- The heavy wall sections of these boxes are thick enough to provide the required five threads for the maximum size as indicated.
- The boxes are drilled and tapped to specification. (A layout sketch should be attached to each order.)



XJWHH N4  
XJWHHX N4

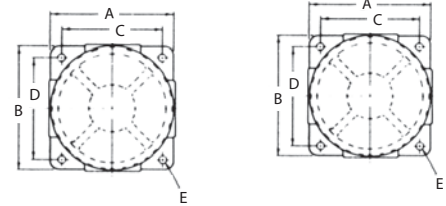


### NOMINAL DIMENSIONS (inches)

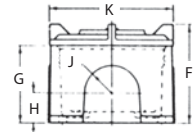
Catalog #	Max Conduit Size	Nominal Inside Dimensions		Diameter Cover Opening	Mounting Hole Size	Weight Each Pounds
		Dia.	D			
XJWHH N4	2 1/2	6 7/8	4 7/8	6 7/8	7/16	8 1/2
XJWTH N4	2	5 3/8	3 3/4	5 3/8	3/8	7 1/2

### NOMINAL DIMENSIONS (inches)

Catalog #	A	B	C	D	E	F	G	H	J	K
XJWHH N4	7-3/4	7 3/4	6 3/8	6 3/8	7/16	5 5/8	4 9/16	1 13/16	1 3/4	7 7/8
XJWTH N4	6 1/4	6 1/4	5 1/8	5 1/8	3/8	5 1/8	4	1 1/2	1 7/16	6 3/8



XJWTH N4  
XJWTHX N4



### CERTIFICATIONS



Class I, Groups B,C,D	}	UL 1203
Class II, Groups E,F,G		CSA C22.2 No. 25 & 30
TYPE 4		UL 50

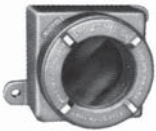


# WINDOW COVER

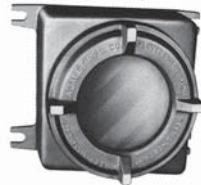
EXPLOSIONPROOF  
Screw Cover Enclosures

## Explosionproof Meter Housings -Window Screw Cover

- Drilled and tapped to specification, attach layout sheet.
- Dimensions are internal.



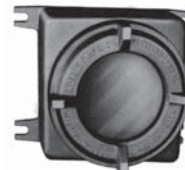
XJDGCH N4  
XJDFGCH N4  
4 1/8" x 4 1/8" x 3"



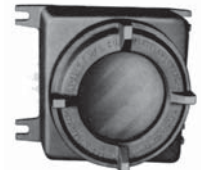
XJMGCH N4  
6 3/4" x 6 3/4" x 3"



XJTGCH N4  
XJTFGCH N4  
5 13/16" x 6 5/16" x 4"



XJMGCH N4  
6 3/4" x 6 3/4" x 8"



XJMAGCH N4  
6 3/4" x 6 3/4" x 5"



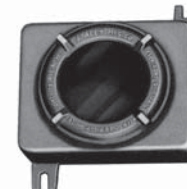
XJXGCH N4  
4 7/8" x 4 7/8" x 3 1/16"



XJLGCH N4  
6" X 6" x 3 1/16"



XJNGCH N4, 6 & 12  
11 1/2" x 12 3/4" x 6"  
11 1/2" x 12 3/4" x 12 1/2"



XJHAGCH N4  
7 3/16" x 9 3/16" x 4"



XJHBGCH N4  
7 1/4" x 9 1/8" x 6"



XJHCGCH N4  
7 3/4" x 10 5/16" x 5"



XJKGCH N4  
9 1/5" x 11 1/2" x 6 1/8"



XKAGCH N4  
9 1/2" x 11 1/2" x 8 1/2"



XJWHGCH N4  
6 7/8" I.D. x 4 1/4"  
Cover Opening 6 7/8"

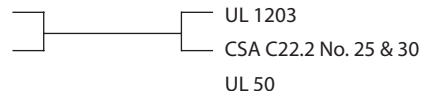


XJWTGCH N4  
5 3/8" I.D. x 3 3/4"  
Cover Opening 5 3/8"

### CERTIFICATIONS



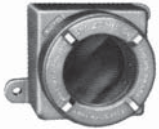
Class I, Groups B,C,D  
Class II, Groups E,F,G  
TYPE 4



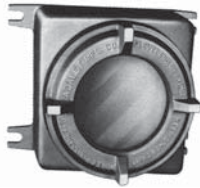
# WINDOW COVER

## Explosionproof Meter Housings -Window Screw Cover

- Drilled and tapped to specification, attach layout sheet.
- Dimensions are nominal internal.



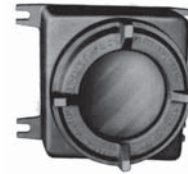
XJDGCHX N4  
XJDFGCHX N4  
4 7/8" x 4 1/8" x 3"



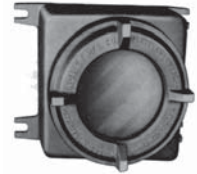
XJMCGCHX N4  
6 3/4" x 6 3/4" x 3"



XJTGCHX N4  
XJTFGCHX N4  
5 13/16" x 6 9/16" x 4"



XJMGCHX N4  
6 3/4" x 6 3/4" x 8"



XJMAGCHX N4  
6 3/4" x 6 3/4" x 5"



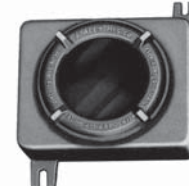
XJXGCHX N4  
4 7/8" x 4 7/8" x 3 1/16"



XJLGCHX N4  
6" x 6" x 3 9/16"



XJNGCHX N4, 6 & 12  
11 1/2" x 12 3/4" x 6"  
11 1/2" x 12 3/4" x 12 1/8"



XJHAGCHX N4  
7 3/16" x 9 3/16" x 4"



XJHBGCHX N4  
7 1/4" x 9 1/8" x 6"



XJHCGCHX N4  
7 3/4" x 10 5/16" x 5"



XJKGCHX N4  
9 1/5" x 11 1/2" x 6 1/8"



XJKAGCHX N4  
9 1/2" x 11 1/2" x 8 1/2"



XJWHGCHX N4  
6 7/8" I.D. x 4 1/4"  
Cover Opening 6 7/8"



XJWTGCHX N4  
5 3/8" I.D. x 3 3/4"  
Cover Opening 5 3/8"

### CERTIFICATIONS

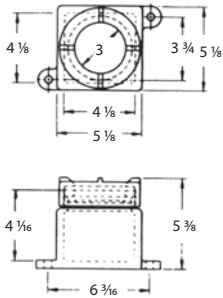


Class I, Groups B,C,D  
Class II, Groups E,F,G  
Class III  
Class I, Zone 1, AEx d IIB+H2  
Ex d IIB+H2  
0539 Ⓢ II 2GD (Optional)\*  
Ex d IIB+H2 (Optional)\*  
IP 66  
TYPE 4

UL 1203  
CSA C22.2 No. 25 & 30  
UL 60079-0/UL 60079-1  
CSA 60079-0/CSA 60079-1  
ATEX Directive 94/9/EC  
EN 60079-0, EN60079-1  
IEC 60529  
UL 50

# WINDOW COVER

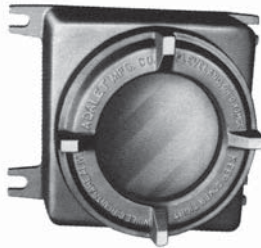
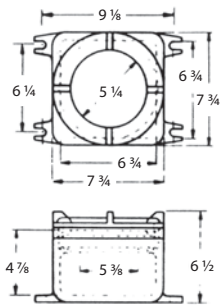
## Explosionproof Meter Housings -Window Screw Cover



**XJDFGCH N4**  
**XJDFGCHX N4**

### STANDARD FEATURES

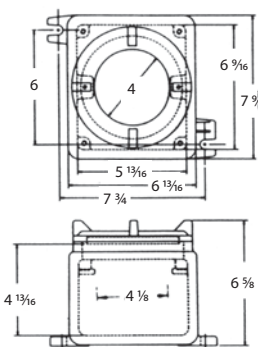
- Copper-free aluminum casting designed for specific size instruments and meters.
- XJDFGCH: Designed for the mounting of 3 1/2" round instruments and meters.
- Furnished with an integrally cast inside mounting flange.
- Also available without the flange as the Type XJDGC(X), for equipment other than 3 1/2" round instruments and meters.
- XJTFGCH: Designed for 4 1/2" round and 3 1/2" rectangular meters
- Furnished with cast inside mounting ears and adapter plate for meter mounting.
- Optional mounting pans available.



**XJMC GCH N4**  
**XJMC GCHX N4**

### NOMINAL DIMENSIONS

Catalog #	Max Conduit Size	Nominal Inside Dimensions			Dims Under Glass	Throat Opening	Max Meter Face Dia.	Mounting Hole Size	Weight Each Pounds
		W	L	D					
XJDFGCH N4	2	4 1/8	4 1/8	3	4 1/16	2 7/8	3 1/2	7/16	6
XJDGC N4	2	4 1/8	4 1/8	3	4 1/16	3 3/4	3 1/2	7/16	6
XJMC GCH N4	2	6 3/4	6 3/4	3	4 3/8	7	5 1/4	7/16	17
XJTFGCH N4	2	5 13/16	6 9/16	4	4 11/16	5 3/8	4 1/2	1/2	13



**XJTFGCH N4**  
**XJTFGCHX N4**

### CERTIFICATIONS



Class I, Groups B,C,D  
Class II, Groups E,F,G  
TYPE 4



UL 1203  
CSA C22.2 No. 25 & 30  
UL 50

# WINDOW COVER

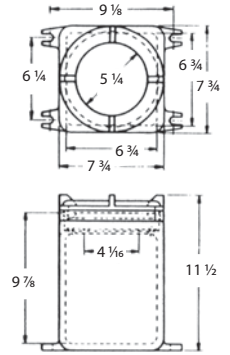
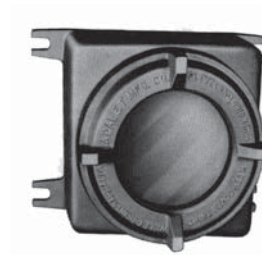
## Explosionproof Meter Housings -Window Screw Cover

### STANDARD FEATURES

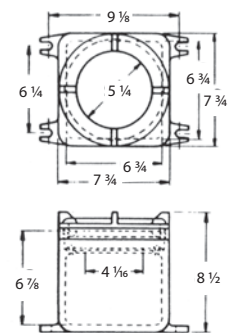
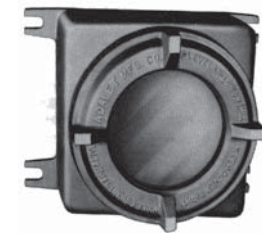
- Copper-free aluminum casting designed for specific sizes, instruments, and meters.
- Optional mounting pans available.

### NOMINAL DIMENSIONS

Catalog #	Max Conduit Size	Nominal Inside Dimensions			Dims Under Glass	Throat Opening	Max Meter Face Dia.	Mounting Hole Size	Weight Each Pounds
		W	L	D					
XJMGCH N4	2	6 3/4	6 3/4	8	9-7/8	5 3/8	5 1/4	7/16	22
XJMAGCH N4	2	6 3/4	6 3/4	5	6-7/8	5 3/8	5 1/4	7/16	19



XJMGCH N4  
XJMGCHX N4



XJMAGCH N4  
XJMAGCHX N4

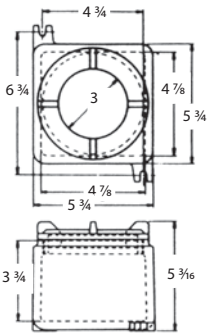
### CERTIFICATIONS



Class I, Groups B,C,D	}	UL 1203
Class II, Groups E,F,G		CSA C22.2 No. 25 & 30
TYPE 4		UL 50

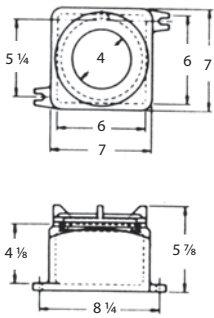
# WINDOW COVER

## Explosionproof Meter Housings -Window Screw Cover



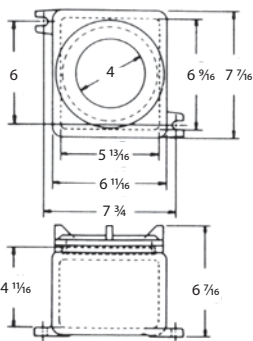
### STANDARD FEATURES

- Copper-free aluminum casting.
- This series of housings with glass windows are suitable for mounting relays and control equipment as well as meters and instruments.
- The wall section of the housings are of sufficient thickness to provide the required (5) full threads for conduit entrances as listed.
- The housings are stocked blank and can be drilled and tapped to your specifications. (A layout sketch should accompany the order.)
- Mounting posts, rings, studs and other accessories can be furnished.
- Optional mounting pans available.



### NOMINAL DIMENSIONS

Catalog #	Max Conduit Size	Nominal Inside Dimensions			Cover Opening	Window Opening	Mounting Hole Size	Weight Each Pounds
		W	L	D				
XJXGCH N4	2	4 7/8	4 7/8	3 1/16	3 3/4	4 3/4	11/32	6 1/2
XJLGCH N4	2	6	6	3 9/16	4 1/8	5 3/8	7/16	11
XJTGCH N4	2	5 13/16	6 9/16	4	4 1/16	5 3/8	1/2	13



### CERTIFICATIONS



Class I, Groups B,C,D  
Class II, Groups E,F,G  
TYPE 4

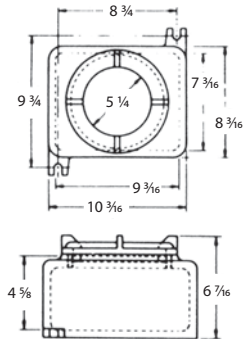
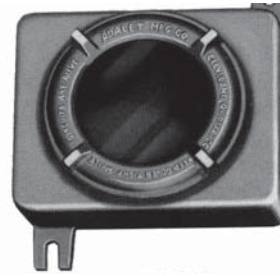
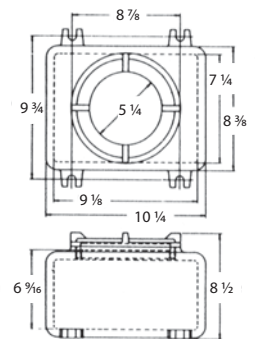
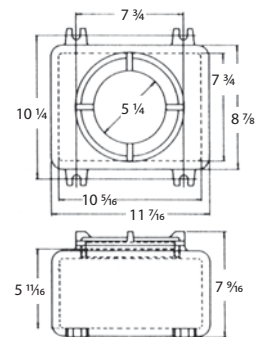
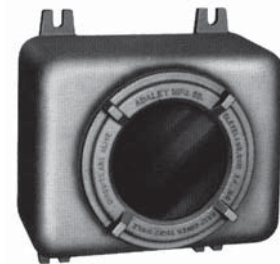


UL 1203  
CSA C22.2 No. 25 & 30  
UL 50

## WINDOW COVER

Explosionproof Meter Housings  
-Window Screw Cover**STANDARD FEATURES**

- Copper-free aluminum casting.
- This series of housings with glass windows are suitable for mounting relays and control equipment as well as meters and instruments.
- The wall section of the housings are of sufficient thickness to provide the required (5) full threads for conduit entrances as listed.
- The housings are stocked blank and can be drilled and tapped to your specifications. (A layout sketch should accompany the order.)
- Mounting posts, rings, studs and other accessories can be furnished.
- Optional mounting pans available.

XJHAGCH N4  
XJHAGCHX N4XJHBGCH N4  
XJHBGCHX N4XJHCGCH N4  
XJHCGCHX N4**NOMINAL DIMENSIONS**

Catalog #	Max Conduit Size	Nominal Inside Dimensions			Dims Under Glass	Dia. Cover Opening	Mounting Hole Size	Weight Each Pounds
		W	L	D				
XJHAGCH N4	2	7 3/16"	9 3/16"	4	4 5/8"	7	3/16"	17
XJHBGCH N4	2	7 1/4"	9 1/8"	6	6 9/16"	7	3/16"	23
XJHCGCH N4	2	7 3/4"	10 5/16"	5	5 1 1/16"	7	3/16"	23

**CERTIFICATIONS**

Class I, Groups B,C,D  
 Class II, Groups E,F,G  
 TYPE 4

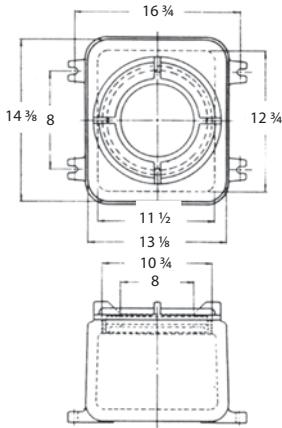


UL 1203  
 CSA C22.2 No. 25 & 30  
 UL 50



# WINDOW COVER

## Explosionproof Meter Housings -Window Screw Cover



XJN12GCH N4  
XJN12GCHX N4

### STANDARD FEATURES

- Copper-free aluminum casting.
- Large cover opening enhances mounting pan installation.
- Availability of two depths offers a selection for efficient packaging of components.
- Suitable for mounting relays and control equipment as well as meters and instruments.
- The wall section of the housings are of sufficient thickness to provide the required (5) full threads for conduit entrances as listed.
- The boxes are drilled and tapped to specification. (A layout sketch should be attached to each order.)
- Mounting posts, rings, studs and other accessories can be furnished.
- Optional mounting pans available.

### NOMINAL DIMENSIONS

Catalog #	Max Conduit Size	Nominal Inside Dimensions			Overall Height	Cover Opening Size	Window Opening	Mounting Hole	Weight Each Pounds
		W	L	D					
XJN6GCH N4	2	11 1/2	12 3/4	6	9 13/16	10 3/4	8	5/8	63
XJN12GCH N4	2	11 1/2	12 3/4	12 1/8	15 15/16	10 3/4	8	5/8	87

### CERTIFICATIONS



Class I, Groups B,C,D  
Class II, Groups E,F,G  
TYPE 4



UL 1203  
CSA C22.2 No. 25 & 30  
UL 50

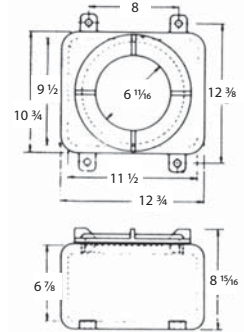
# WINDOW COVER

EXPLOSIONPROOF  
Screw Cover Enclosures

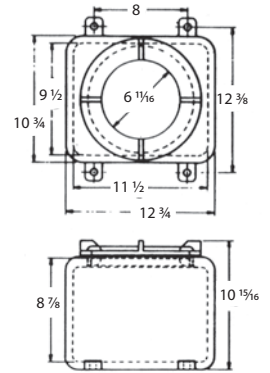
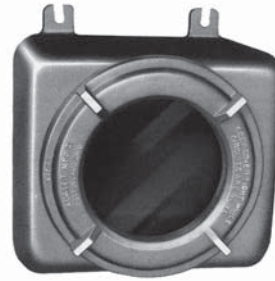
## Explosionproof Meter Housings -Window Screw Cover

### STANDARD FEATURES

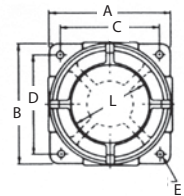
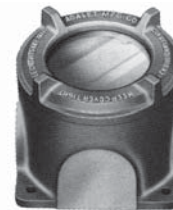
- Copper-free aluminum casting.
- This series of housings with glass windows are suitable for mounting relays and control equipment as well as meters and instruments.
- The wall section of the housings are of sufficient thickness to provide the required (5) full threads for conduit entrances as listed.
- The housings are stocked blank and can be drilled and tapped to your specifications. (A layout sketch should accompany the order.)
- Mounting posts, rings, studs and other accessories can be furnished.
- Optional mounting pans available.



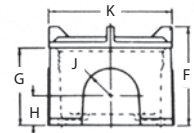
XJKGCH N4  
XJKGCHX N4



XJKAGCH N4  
XJKAGCHX N4



XJWHGCH N4  
XJWHGCHX N4



XJWTGCH N4  
XJWTGCHX N4

### NOMINAL DIMENSIONS [XJKGCH & XJKAGCH]

Catalog #	Max Conduit Size	Nominal Inside Dimensions			Dims. Under Glass	Dia. Cover Opening	Mounting Hole Size	Weight Each Pounds
		W	L	D				
XJKGCH N4	4	9 1/2	11 1/2	6 1/8	6 7/8	9	9/16	39 1/2
XJKAGCH N4	4	9 1/2	11 1/2	8 1/2	8 7/8	9	9/16	43 1/2

### NOMINAL DIMENSIONS [XJWHGCH & XJWTGCH]

Catalog #	Max Conduit Size	Nominal Inside Dimensions		Diameter Cover Opening	Mounting Hole Size	Weight Each Pounds
		DIA	D			
XJWHGCH N4	2 1/2	6 7/8	4 1/4	6 7/8	7/16	9
XJWTGCH N4	2	5 3/8	3 3/4	5 3/8	3/8	8

### NOMINAL DIMENSIONS [XJWHGCH & XJWTGCH]

Catalog #	A	B	C	D	E	F	G	H	J	K	L
XJWHGCH N4	7 3/4	7 3/4	6 3/8	6 3/8	7/16	5 5/8	4 9/16	1 13/16	1 3/4	7 7/8	5 1/4
XJWTGCH N4	6 1/4	6 1/4	5 1/8	5 1/8	3/8	5 1/8	4	1 1/2	1 7/16	6 3/8	4

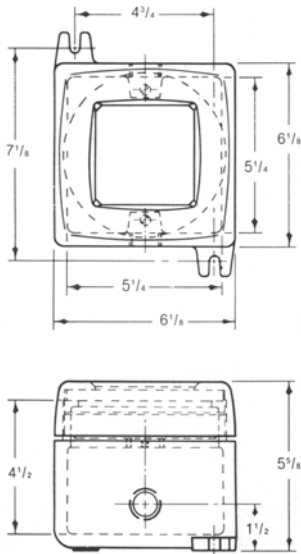
### CERTIFICATIONS



Class I, Groups B,C,D	}	}	UL 1203
Class II, Groups E,F,G			CSA C22.2 No. 25 & 30
TYPE 4			UL 50



## Meter and Instrument Housings Square Threaded Window Cover



**XJSWGC N4**

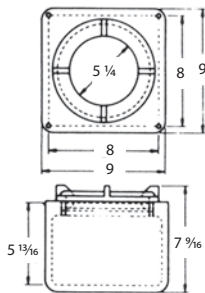
### STANDARD FEATURES

XJSWGC N4: Copper-free aluminum casting designed for specific instruments and meters

XJSWGC N4: Unique design recessed window with no exposed hardware or protrusions on the cover, provides clean finished appearance compatible with modern rectangular meters. Designed for 3 1/2" rectangular and 4 1/2" round meters. Furnished with 3/4" conduit entrance top and bottom and one close-up plug.

- Furnished with cast inside mounting ears to support adapter plate for meter mounting.
- Mounting: Can be surface mounted or panel mounted in panels up to 1/4" thick. Panel mounting requires 5 3/8" round opening allowing neck to protrude through the panel and the cover only appears on the front surface of the panel. Cover locks in position with set screw. For additional support, the front surface under the cover of the box can be drilled and tapped with blind holes on 5 1/2" x 5 1/2" centers for screw attachment. Requires countersunk screw openings in panel. should be attached to each order.)

XJOGC N4: Panel mount holes (4) 5/16 - 18 on 8" centers are included as standard.



**XJOGC N4**

### NOMINAL DIMENSIONS

Catalog #	Max Conduit Size	Nominal Inside Dimensions			Dims Under Glass	Dia. Cover Opening	Mounting Hole Size	Weight Each Pounds
		W	L	D				
XJSWGC N4	2	5 1/4	5 1/4	4	4 1/2	5	1/4	13
XJOGCH N4	2	8	8	5	5 13/16	7	none	21

### CERTIFICATIONS



Class I, Groups C,D  
Class II, Groups E,F,G  
TYPE 4

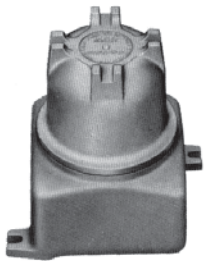


UL 1203  
CSA C22.2 No. 25 & 30  
UL 50

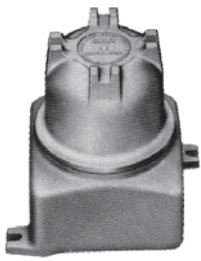
# DOME COVER

## Explosionproof Meter Housings -Dome Cover

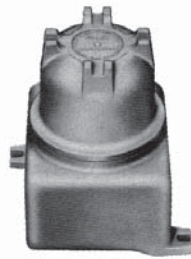
• Dimensions are nominal internal and listed on the following pages.



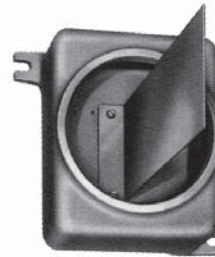
XJLD N4



XJTD N4



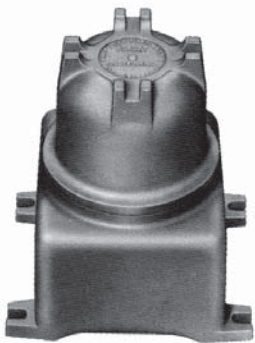
XJHAD N4



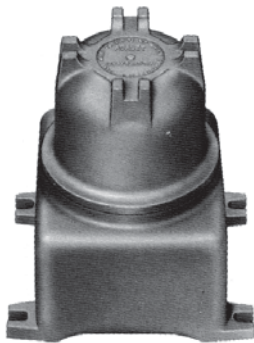
XJHAD N4  
Without cover to show optional mounting bracket



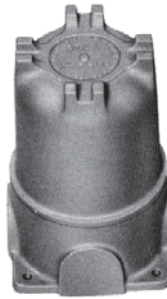
XJHCD N4



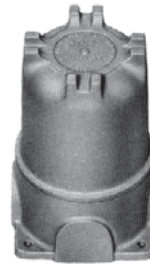
XJKD N4



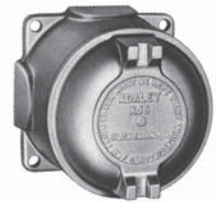
XJKAD N4



XJWT N4



XJWT\_N4



XJSD N4



XJWH N4

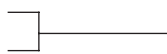


XJW N4  
To house transfer switch modification (Not UL or CSA)

### CERTIFICATIONS



Class I, Groups C,D  
Class II, Groups E,F,G  
TYPE 4

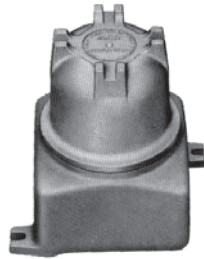
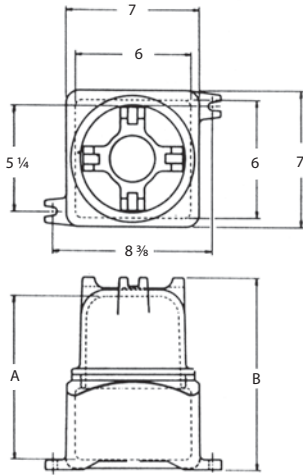


UL 886  
CSA C22.2 No. 25 & 30  
UL 50

# DOME COVER

EXPLOSIONPROOF  
Junction Boxes

## Explosionproof Meter Housings -Dome Cover



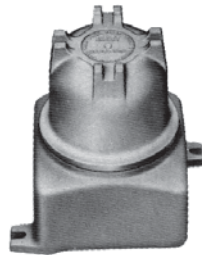
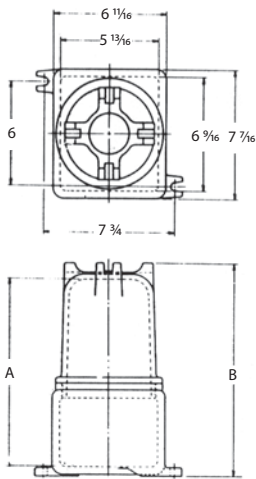
XJLD\_ N4

### STANDARD FEATURES

- This group of housings is designed for enclosing relays, contactors and terminal strips. They are also suitable for accommodating splices of heavy conductors
- When used for splicing, the conductors may be pulled in with the ends extending out beyond the cover opening, making them accessible for splicing. When splices are completed, they need not be crowded back into the body but can be protected with the dome cover assembled to the housing.
- Optional mounting pans available-consult factory

### NOMINAL DIMENSIONS

Catalog #	Max Conduit Size	Box Inside Dimensions			Inside Dome A	Overall Height B	Dia. Cover Opening	Mounting Hole Size	Weight Each Pounds
		W	L	D					
XJLD4 N4	2	6	6	3 1/2	8 1/16	9 13/16	5 3/8	7/16	12
XJLD6 N4	2	6	6	3 1/2	9 7/8	11 1/8	5 3/8	7/16	13
XJLD10 N4	2	6	6	3 1/2	14 3/8	15 5/8	5 3/8	7/16	15
XJLD13 N4	2	6	6	3 1/2	17 3/8	18 3/8	5 3/8	7/16	16
XJTD4 N4	2	5 13/16	6 1/16	4	9	10 1/4	5 3/8	1/2	13 1/2
XJTD6 N4	2	5 13/16	6 1/16	4	10 3/8	11 5/8	5 3/8	1/2	14 1/2
XJTD10 N4	2	5 13/16	6 1/16	4	14 7/8	16 1/8	5 3/8	1/2	16 1/2
XJTD13 N4	2	5 13/16	6 1/16	4	17 7/8	19 1/8	5 3/8	1/2	17 1/2



XJTD\_ N4

### CERTIFICATIONS



Class I, Groups C,D  
Class II, Groups E,F,G  
TYPE 4



UL 886  
CSA C22.2 No. 25 & 30  
UL 50

# DOME COVER

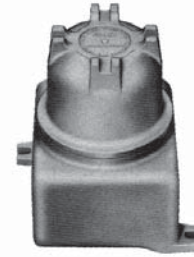
## Explosionproof Meter Housings -Dome Cover

### STANDARD FEATURES

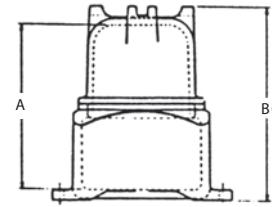
- This group of housings is designed for enclosing relays, contactors and terminal strips. They are also suitable for accommodating splices of heavy conductors.
- When used for splicing, the conductors may be pulled in with the ends extending out beyond the cover opening, making them accessible for splicing.
- When splices are completed, they need not be crowded back into the body but can be protected with the dome cover assembled to the housing.
- Optional mounting pans available-consult factory.

### NOMINAL DIMENSIONS

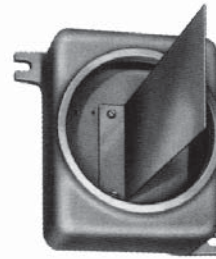
Catalog #	Max Conduit Size	Box Inside Dimensions			Inside Dome A	Overall Height B	Dia. Cover Opening	Mounting Hole Size	Weight Each Pounds
		W	L	D					
XJHAD6 N4	2	7 3/16	9 3/16	4	10 3/4	12 1/4	7	9/16	22 3/4
XJHAD9 N4	2	7 3/16	9 3/16	4	13 3/4	15 1/4	7	9/16	25 1/4
XJHAD12 N4	2	7 3/16	9 3/16	4	16 3/4	18 1/4	7	9/16	28
XJHCD6 N4	2	7 3/4	10 5/16	5	11 3/4	13 1/4	7	9/16	24
XJHCD9 N4	2	7 3/4	10 5/16	5	14 3/4	16 1/4	7	9/16	26
XJHCD12 N4	2	7 3/4	10 5/16	5	17 3/4	19 1/4	7	9/16	30



XJHAD\_ N4

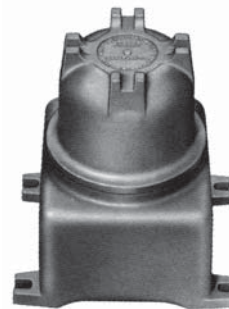


TYPICAL DIMENSIONS

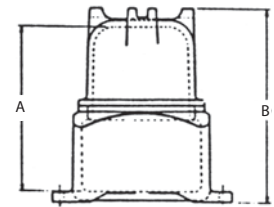


XJHAD N4

Without cover to show optional mounting plate.



XJHCD\_ N4



TYPICAL DIMENSIONS

### CERTIFICATIONS

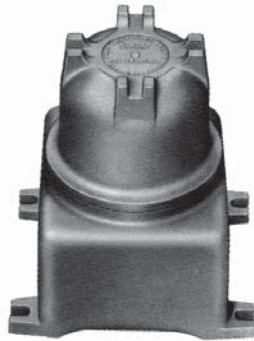
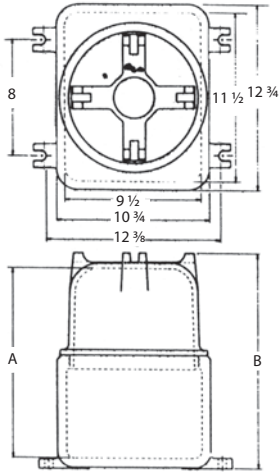


Class I, Groups C,D	—	UL 886
Class II, Groups E,F,G		CSA C22.2 No. 25 & 30
TYPE 4		UL 50

# DOME COVER

EXPLOSIONPROOF  
Junction Boxes

## Explosionproof Meter Housings -Dome Cover



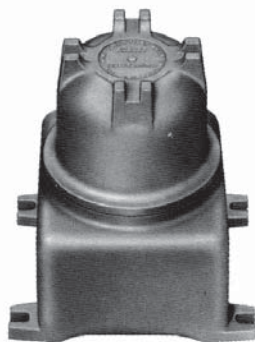
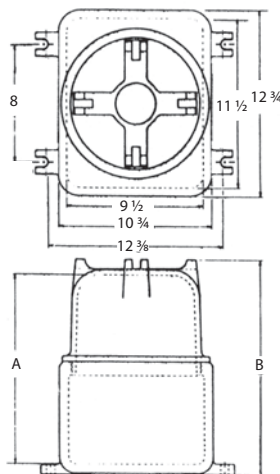
XJKD\_ N4

### STANDARD FEATURES

- This group of housings is designed for enclosing relays, contactors and terminal strips. They are also suitable for accommodating splices of heavy conductors.
- When used for splicing, the conductors may be pulled in with the ends extending out beyond the cover opening, making them accessible for splicing.
- When splices are completed, they need not be crowded back into the body but can be protected with the dome cover assembled to the housing.
- Optional mounting pans available-consult factory.

### NOMINAL DIMENSIONS

Catalog #	Max Conduit Size	Box Inside Dimensions			Inside Dome A	Overall Height B	Dia. Cover Opening	Mounting Hole Size	Weight Each Pounds
		W	L	D					
XJKD6 N4	4	9 1/2	11 1/2	6 1/8	13	14 3/4	9	1/16	47 1/2
XJKD12 N4	4	9 1/2	11 1/2	6 1/8	19	20 3/4	9	1/16	53 3/4
XJKD18 N4	4	9 1/2	11 1/2	6 1/8	25	26 3/4	9	1/16	60
XJKAD6 N4	4	9 1/2	11 1/2	8 1/8	15	16 3/4	9	1/16	51
XJKAD12 N4	4	9 1/2	11 1/2	8 1/8	21	22 3/4	9	1/16	57
XJKAD18 N4	4	9 1/2	11 1/2	8 1/8	27	29 3/4	9	1/16	64



XJKAD\_ N4

### CERTIFICATIONS



Class I, Groups C,D  
Class II, Groups E,F,G  
TYPE 4

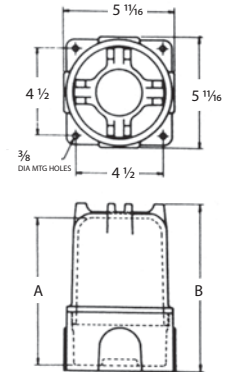
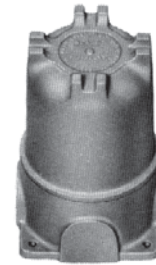
UL 886  
CSA C22.2 No. 25 & 30  
UL 50

# DOME COVER

## Explosionproof Meter Housings -Dome Cover

### STANDARD FEATURES

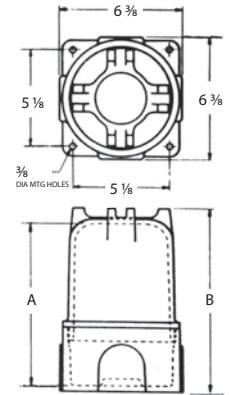
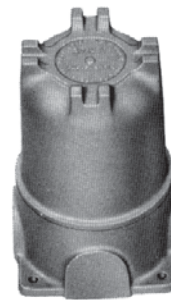
- This group of housings is designed for splicing conductors. The dome cover allows the conductors to be pulled in and leave the ends extended for easy \ splicing.
- When splices are completed, they need not be crowded back into the body
- These housings are also suitable for mounting transfer switches and other equipment for panel mounted applications
- The housings are available in two (2) body sizes with varying dome cover lengths. The housings have four (4) external pads located 90° apart and have a boss on the inside center of back. (Except for XJSD)
- The pads can be drilled and tapped for holes as listed below



XJW\_ N4

### NOMINAL DIMENSIONS

Catalog #	Max Conduit Size	Box Inside Dimensions		Inside Dome A	Overall Height B	Dia. Cover Opening	Mounting Hole Size	Weight Each Pounds
		Dia.	D					
XJW3 N4	1 1/4	4 13/16	2 3/4	5 5/8	6 5/8	4 13/16	5/16	4 3/4
XJW5 N4	1 1/4	4 13/16	2 3/4	7 5/8	8 5/8	4 13/16	5/16	5 3/4
XJW4 N4	2	5 3/8	3 3/4	7 7/8	8 5/8	5 3/8	3/8	6 3/4
XJW6 N4	2	5 3/8	3 3/4	9 7/8	10 7/8	5 3/8	3/8	7
XJW10 N4	2	5 3/8	3 3/4	13 7/8	14 7/8	5 3/8	3/8	8
XJW13 N4	2	5 3/8	3 3/4	16 7/8	17 7/8	5 3/8	3/8	9
XJSD N4	1	4	3 23/32	4 7/16	5 5/16	4	5/16	3



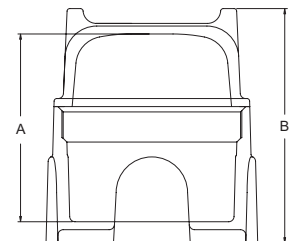
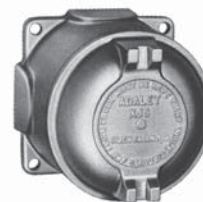
XJWT\_ N4

### CERTIFICATIONS

Class I, Groups C,D  
Class II, Groups E,F,G  
TYPE 4



UL 886  
CSA C22.2 No. 25 & 30  
UL 50

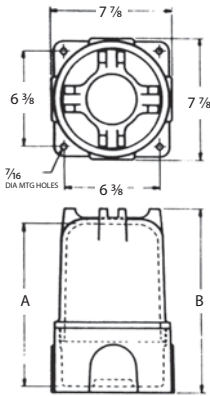


XJSD N4



# DOME COVER

## Explosionproof Meter Housings -Dome Cover



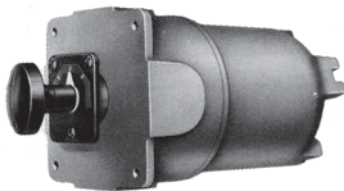
XJWH \_ N4

### STANDARD FEATURES

- This housing is designed for splicing conductors. The dome cover allows the conductors to be pulled in and leave the ends extended for easy splicing.
- When splices are completed, they need not be crowded back into the body
- These housings are also suitable for mounting transfer switches and other equipment for panel mounted applications
- The housings have four (4) external pads located 90° apart and have a boss on the inside center of back
- The pads can be drilled and tapped for holes as listed below

### NOMINAL DIMENSIONS

Catalog #	Max Conduit Size	Box Inside Dimensions		Inside Dome A	Overall Height B	Dia. Cover Opening	Mounting Hole Size	Weight Each Pounds
		Dia.	D					
XJWH6 N4	2 1/2	6 7/8	4 1/4	10 1/4	11 7/16	6 7/8	7/16	15
XJWH9 N4	2 1/2	6 7/8	4 1/4	13 1/4	14 7/16	6 7/8	7/16	17
XJWH12 N4	2 1/2	6 7/8	4 1/4	16 1/4	17 7/16	6 7/8	7/16	19



XJW N4

Modified to house transfer switch  
Not UL or CSA

### CERTIFICATIONS



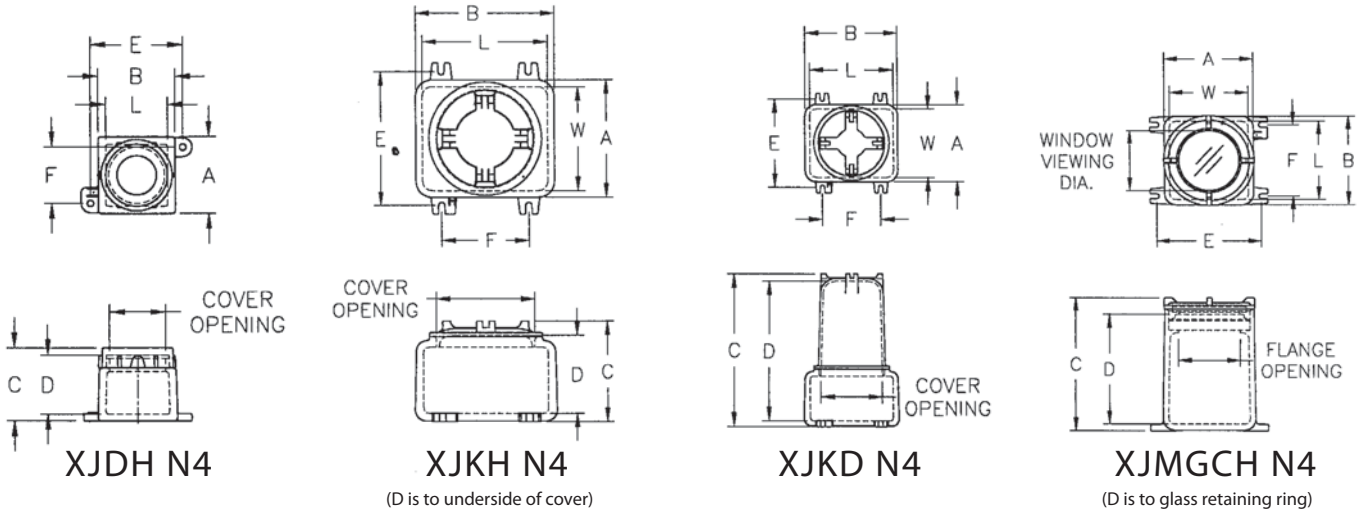
Class I, Groups C,D  
Class II, Groups E,F,G  
TYPE 4



UL 886  
CSA C22.2 No. 25 & 30  
UL 50

# THREADED COVER

## Explosionproof Meter Housings - Threaded Cover



NOMINAL DIMENSIONS															
Catalog #	Box Inside Dimensions			Overall Dimensions			Mounting CL to CL		Cover Opening Dia.	Window Viewing Dia.	Flange Opening Dia.	Max. Conduit Size	Mount Bolt Size	Ship Weight lbs.	
	W	L	D	A	B	C	E	F							
XJDH N4	4 1/8	4 1/8	3 7/8	5 5/16	5 5/16	4 7/8	6 3/16	3 3/4	3 3/4	-	-	2	3/8	5 3/4	
XJDGCH N4	4 1/8	4 1/8	4 1/16	5 5/16	5 5/16	5 9/16	6 3/16	3 3/4	3 3/4	3	-	2	3/8	5	
XJDFGCH N4**	4 1/8	4 1/8	4 1/16	5 5/16	5 5/16	5 9/16	6 3/16	3 3/4	2 7/8	3	2 3/4	2	3/8	6	
XJDAH N4	5 3/4	5 3/4	5 7/8	7 1/16	7 1/16	7 1/4	8 3/8	5 1/4	4 3/16	-	-	2	3/8	12	
XJSH N4	4 dia.		3 3/8	4 7/8	4 7/8	4 1/2	3 3/4	3 3/4	4	-	-	1	1/4	3	
XJSD N4	4 dia.		4 7/16	4 7/8	4 7/8	5 1/2	3 3/4	3 3/4	4	-	-	1	1/4	3 1/2	
XJLH N4	6	6	4 7/8	7	7	6 1/8	8 3/8	5 1/4	5 3/8	-	-	2	3/8	11	
XJLD4 N4	6	6	8 9/16	7	7	9 7/8	8 3/8	5 1/4	5 3/8	-	-	2	3/8	12	
XJLD6 N4	6	6	10 1/6	7	7	11 7/16	8 3/8	5 1/4	5 3/8	-	-	2	3/8	12 1/4	
XJLD10 N4	6	6	14 9/16	7	7	15 15/16	8 3/8	5 1/4	5 3/8	-	-	2	3/8	14	
XJLD13 N4	6	6	17 9/16	7	7	18 15/16	8 3/8	5 1/4	5 3/8	-	-	2	3/8	15	
XJLGCH N4	6	6	3 7/8	7	7	6 3/16	8 3/8	5 1/4	5 3/8	4	-	2	3/8	11	
XJTH N4	5 13/16	6 9/16	5 7/16	6 13/16	7 9/16	6 5/8	7 3/4	6	5 3/8	-	-	2	7/16	12 3/4	
XJTD4 N4	5 13/16	6 9/16	9 1/16	6 13/16	7 9/16	10 3/8	7 3/4	6	5 3/8	-	-	2	7/16	13 1/2	
XJTD6 N4	5 13/16	6 9/16	10 9/16	6 13/16	7 9/16	11 15/16	7 3/4	6	5 3/8	-	-	2	7/16	14	
XJTD10 N4	5 13/16	6 9/16	15 1/16	6 13/16	7 9/16	16 7/16	7 3/4	6	5 3/8	-	-	2	7/16	15 1/2	
XJTD13 N4	5 13/16	6 9/16	18 1/16	6 13/16	7 9/16	19 7/16	7 3/4	6	5 3/8	-	-	2	7/16	16 1/2	
XJTGCH N4	5 13/16	6 9/16	4 5/16	6 13/16	7 9/16	6 5/8	7 3/4	6	5 3/8	4	-	2	7/16	12 3/4	
XJTFGCH N4**	5 13/16	6 9/16	4 5/16	6 13/16	7 9/16	6 5/8	7 3/4	6	5 3/8	4	4 1/8	2	7/16	13	
XJXH N4	4 3/4	4 3/4	4 3/16	5 3/4	5 3/4	5 1/2	6 3/4	4 3/4	4 5/8	-	-	2	1/4	7	
XJXGCH N4	4 3/4	4 3/4	3 3/16	5 3/4	5 3/4	5 3/8	6 3/4	4 3/4	4 5/8	3	-	2	1/4	7	
XJMH N4	6 3/4	6 3/4	10 3/16	7 3/4	7 3/4	11 11/16	9 1/8	6 1/4	7	-	-	2	3/8	22 1/2	
XJMGCH N4**	6 3/4	6 3/4	9 1/8	7 3/4	7 3/4	11 1/2	9 1/8	6 1/4	7	5 1/4	5 3/8	2	3/8	22 1/2	
XJMAH N4	6 13/16	6 13/16	7 3/16	7 13/16	7 13/16	8 11/16	9 1/8	6 1/4	7	-	-	2	3/8	17	
XJMGCH N4**	6 13/16	6 13/16	6 1/8	7 13/16	7 13/16	8 1/2	9 1/8	6 1/4	7	5 1/4	5 1/4	2	3/8	17	
XJMCH N4	6 3/4	6 3/4	5 3/16	7 13/16	7 13/16	6 11/16	9 1/8	6 1/4	7	-	-	2	3/8	13 1/2	
XJMCGCH N4**	6 3/4	6 3/4	4 1/8	7 13/16	7 13/16	6 1/2	9 1/8	6 1/4	7	5 1/4	5 3/8	2	3/8	13 3/4	



# THREADED COVER

## NOMINAL DIMENSIONS

Catalog #	Box Inside Dimensions			Overall Dimensions			Mounting CL to CL		Cover Opening Dia.	Window Viewing Dia.	Flange Opening Dia.	Max. Conduit Size	Mount Bolt Size	Ship Weight lbs.
	W	L	D	A	B	C	E	F						
XJHAD6 N4	7 3/16	9 3/16	11	8 3/16	10 3/16	12 7/16	9 3/4	8 3/4	7	-	-	2	1/2	19 3/4
XJHAD9 N4	7 3/16	9 3/16	14	8 3/16	10 3/16	15 7/16	9 3/4	8 3/4	7	-	-	2	1/2	21 1/2
XJHAD12 N4	7 3/16	9 3/16	17	8 3/16	10 3/16	18 7/16	9 3/4	8 3/4	7	-	-	2	1/2	23 1/2
XJHAGCH N4	7 3/16	9 3/16	4 3/16	8 3/16	10 3/16	6 9/16	9 3/4	8 3/4	7	5 1/4	-	2	1/2	16 1/2
XJHBH N4	7 1/4	9 1/8	7 1/4	8 3/8	10 1/4	8 13/16	9 3/4	8 7/8	7	-	-	2	1/2	22
XJHBGCH N4	7 1/4	9 1/8	6 3/16	8 3/8	10 1/4	8 9/16	9 3/4	8 7/8	7	5 1/4	-	2	1/2	22
XJHCH N4	7 3/4	10 5/16	6 3/16	8 7/8	11 7/16	7 3/4	10 1/4	7 3/4	7	-	-	2	1/2	23 1/2
XJHCD6 N4	7 3/4	10 5/16	11 15/16	8 7/8	11 7/16	13 7/16	10 1/4	7 3/4	7	-	-	2	1/2	26 3/4
XJHCD9 N4	7 3/4	10 5/16	14 15/16	8 7/8	11 7/16	16 7/16	10 1/4	7 3/4	7	-	-	2	1/2	28 1/2
XJHCD12 N4	7 3/4	10 5/16	17 15/16	8 7/8	11 7/16	19 7/16	10 1/4	7 3/4	7	-	-	2	1/2	30 1/2
XJHCGCH N4	7 3/4	10 5/16	5 1/8	8 7/8	11 7/16	7 9/16	10 1/4	7 3/4	7	5 1/4	-	2	1/2	23 1/2
XJKH N4	9 1/2	11 1/2	7 1/4	10 3/4	12 3/4	9 1/4	12 1/4	8	9	-	-	3	1/2	39 1/4
XJKD6 N4	9 1/2	11 1/2	13 1/16	10 3/4	12 3/4	14 15/16	12 1/4	8	9	-	-	3	1/2	43 3/4
XJKD12 N4	9 1/2	11 1/2	19 1/16	10 3/4	12 3/4	20 15/16	12 1/4	8	9	-	-	3	1/2	49
XJKD18 N4	9 1/2	11 1/2	25 1/16	10 3/4	12 3/4	26 15/16	12 1/4	8	9	-	-	3	1/2	54 3/4
XJKGCH N4	9 1/2	11 1/2	6 3/16	10 3/4	12 3/4	9 1/16	12 1/4	8	9	6 11/16	-	3	1/2	39 1/4
XJKAH N4	9 1/2	11 1/2	9 1/8	10 3/4	12 3/4	11 3/16	12 3/8	8	9	-	-	3	1/2	45 3/4
XJKAD6 N4	9 1/2	11 1/2	15	10 3/4	12 3/4	16 13/16	12 3/8	8	9	-	-	3	1/2	50 1/4
XJKAD12 N4	9 1/2	11 1/2	21	10 3/4	12 3/4	22 13/16	12 3/8	8	9	-	-	3	1/2	55 1/4
XJKAD18 N4	9 1/2	11 1/2	27	10 3/4	12 3/4	28 13/16	12 3/8	8	9	-	-	3	1/2	61 1/4
XJKAGCH N4	9 1/2	11 1/2	8 1/16	10 3/4	12 3/4	11	12 3/8	8	9	6 11/16	-	3	1/2	45 3/4
XJN6H N4	11 1/2	12 3/4	7 7/16	13 3/8	14 5/8	9 13/16	15 3/8	9	10 11/16	-	-	4	1/2	60 1/2
XJN12 N4	11 1/2	12 3/4	13 9/16	13 9/16	14 13/16	15 15/16	15 3/8	9	10 11/16	-	-	4	1/2	87 1/2
XJN6GC N4	11 1/2	12 3/4	6 3/16	13 3/8	14 5/8	9 7/8	15 3/8	9	10 11/16	8	-	2	1/2	60 1/2
XJN12GC N4	11 1/2	12 3/4	12 5/16	13 9/16	14 13/16	16	15 3/8	9	10 11/16	8	-	2	1/2	87 1/2
XJWHH N4	6 5/8 dia		4 3/8	7 15/16	7 15/16	5 15/16	6 3/8	6 3/8	7	-	-	2	3/8	11 1/2
XJWH6 N4	6 5/8 dia		10 1/8	7 15/16	7 15/16	11 5/8	6 3/8	6 3/8	7	-	-	2	3/8	14 3/4
XJWH9 N4	6 5/8 dia		13 1/8	7 15/16	7 15/16	14 5/8	6 3/8	6 3/8	7	-	-	2	3/8	16 1/2
XJWH12 N4	6 5/8 dia		16 1/8	7 15/16	7 15/16	17 5/8	6 3/8	6 3/8	7	-	-	2	3/8	18 1/2
XJWHGCH N4	6 5/8 dia		3 3/16	7 15/16	7 15/16	5 3/4	6 3/8	6 3/8	7	5 1/4	-	2	3/8	11 1/2
XJW3 N4	4 7/8 dia		5 5/16	5 11/16	5 11/16	6 7/8	4 1/2	4 1/2	4 7/8	-	-	1 1/4	1/4	5
XJW5 N4	4 7/8 dia		7 5/16	5 11/16	5 11/16	8 11/16	4 1/2	4 1/2	4 7/8	-	-	1 1/4	1/4	5 3/4
XJWTH N4	5 3/8 dia		3 13/16	6 3/8	6 3/8	5 1/8	5 1/8	5 1/8	5 3/8	-	-	2	5/16	8
XJWT4 N4	5 3/8 dia		7 9/16	6 3/8	6 3/8	8 7/8	5 1/8	5 1/8	5 3/8	-	-	2	5/16	9
XJWT6 N4	5 3/8 dia		9 1/16	6 3/8	6 3/8	10 3/8	5 1/8	5 1/8	5 3/8	-	-	2	5/16	9 1/2
XJWT10 N4	5 3/8 dia		13 9/16	6 3/8	6 3/8	14 7/8	5 1/8	5 1/8	5 3/8	-	-	2	5/16	11
XJWT13 N4	5 3/8 dia		16 9/16	6 3/8	6 3/8	17 7/8	5 1/8	5 1/8	5 3/8	-	-	2	5/16	12
XJWTGCH N4	5 3/8 dia		2 15/16	6 3/8	6 3/8	5 1/8	5 1/8	5 1/8	5 3/8	4	-	2	5/16	8
XJSWGC N4**	5 1/4	5 1/4	4 1/16	6 1/8	6 1/8	5 5/8	7 1/8	4 3/4	5	3 3/8 x 3 3/8	3 3/4	3/4	5/16	8
XJOGC N4	8	8	5 1/4	9	9	7 1/16	8	8	7	5 1/4	-	2	5/16	20 1/4

**NOTES** Suffix H and HX enclosure types are dimensionally identical.

\*\*Includes built-in meter mounting provisions: call factory for details.

## GUIDELINES

## Drilling and Tapping Guidelines

When drilling & tapping enclosures for conduit, proper installation requires compliance with the following:

1. Must be tapped with at least 5 full NPT threads in enclosure back or sides only; min. ½" conduit size for UL.
2. Tapping depth of NPT holes must be plus ½ turn min. to plus 1-½ turns max. past standard NPT plug gage notch.
3. Inner end of conduit openings shall be smooth and well-rounded.
4. A minimum of (7) thread engagement, class 2 fit, required for Div. 1 Group B applications.

## MINIMUM DISTANCE FROM CONDUIT/CABLE CENTER TO EDGE OF FLAT AREA

SIZE NPT (METRIC)	5	4	3 ½	3 (M75)	2 ½ (M63)	2 (M50)	1 ½ (M40)	1 ¼ (M32)	1 (M25)	¾ (M20)	½ (M16)	¼-¾
	2 13/16	2 ¼	2	1 ¾	1 7/16	1 3/16	1	7/8	1 1/16	9/16	½	½

## MINIMUM DISTANCE FROM AUXILIARY DEVICE CENTER TO EDGE OF FLAT AREA

SIZE NPT (METRIC)	5	4	3 ½	3 (M75)	2 ½ (M63)	2 (M50)	1 ½ (M40)	1 ¼ (M32)	1 (M25)	¾ (M20)	½ (M16)	¼-¾
	2 13/16	2 ¼	2	1 ¾	1 7/16	1 3/16	1	7/8	1 1/16	9/16	½	½

## MINIMUM SPACING BETWEEN CENTERS OF CONDUIT &amp; CABLE ENTRIES

SIZE NPT (METRIC)	5	4	3 ½	3 (M75)	2 ½ (M63)	2 (M50)	1 ½ (M40)	1 ¼ (M32)	1 (M25)	¾ (M20)	½ (M16)	¼-¾
¼-¾	4 ¾	3 ¾	3 ¾	3	2 ¾	2 ¾	2	1 7/8	1 ¾	1 ¾	1 ¼	1 1/8
½ (M16)	4 ¾	3 ¾	3 ¾	3	2 ¾	2 ¾	2	1 7/8	1 ¾	1 ¾	1 ¼	
¾ (M20)	4 ½	3 ¾	3 ½	3 ½	2 ¾	2 ½	2 ½	2	1 ¾	1 ½		
1 (M25)	4 5/8	3 7/8	3 5/8	3 ¼	2 7/8	2 ¾	2 ¼	2 1/8	1 7/8			
1 ¼ (M32)	4 7/8	4 1/8	3 7/8	3 ½	3 1/8	2 7/8	2 ½	2 ¾				
1 ½ (M40)	5	4 ¼	4	3 5/8	3 ¼	3	2 5/8					
2 (M50)	5 3/8	4 ¾	4 ½	4	3 5/8	3 3/8						
2 ½ (M63)	5 ½	4 7/8	4 5/8	4 ¼	3 7/8							
3 (M75)	5 7/8	5 ¼	5	4 ¾								
3 ½	6 ¼	5 ¾	5 ½									
4	6 7/8	6										
5	7 3/8											

Double all distances for conduit entries in backwall.

- NOTES**
1. This information is compiled from data which we believe is reliable and is given in good faith. Since the methods of application and conditions under which our products are used are beyond our control, we are not able to guarantee the application and/or use of same. The user assumes all risks and liability in connection with the application and use of our products.
  2. All dimensions are in inches.

# Drilling and Tapping Guidelines

When drilling & tapping enclosures for conduit, proper installation requires compliance with the following:

1. Consult factory for extensive machining options, i.e. mounting of operators, thread type and size thru wall, mounting pans.
2. Layout data sheets available.

MINIMUM DISTANCE BETWEEN CENTERS OF AUXILIARY DEVICES AND CONDUIT ENTRIES

SIZE	5 NPSM	4 NPSM	3 ½ NPSM	3 NPSM	2 ½ NPSM	2 NPSM	1 ½ NPSM	1 ¼ NPSM	1 NPSM	½-¾ NPSM	¼-¾ NPSM	¼-1 UN
¼-¾	4 ¾	3 ¾	3 ¾	3	2 ½	2 ¾	2	1 7/8	1 ½	1 ¾	1 ¼	1 ½
½ NPT (M16)	4 ¾	3 ¾	3 ¾	3	2 ½	2 ¾	2	1 7/8	1 ½	1 ¾	1 ¼	
¾ NPT (M20)	4 ½	3 ¾	3 ½	3 ½	2 ¾	2 ½	2 ½	2	1 ¾	1 ½		
1 NPT (M25)	4 ¾	3 7/8	3 ¾	3 ¼	2 7/8	2 ¾	2 ¼	2 ½	2 ½	1 7/8		
1 ¼ NPT (M32)	4 7/8	4 ½	3 7/8	3 ½	3 ½	2 7/8	2 ½	2 ¾				
1 ½ NPT (M40)	5	4 ¼	4	3 ¾	3 ¼	3	2 ¾					
2 NPT (M50)	5 ¾	4 ¾	4 ½	4	3 ¾	3 ¾						
2 ½ NPT (M63)	5 ½	4 7/8	4 ¾	4 ¼	3 7/8							
3 NPT (M75)	5 7/8	5 ¼	5	4 ¾								
3 ½ NPT	6 ¼	5 ¾	5 ½									
4 NPT	6 7/8	6										
5 NPT	7 ¾											

MINIMUM DISTANCE BETWEEN CENTERS OF AUXILIARY DEVICES

SIZE	5 NPSM	4 NPSM	3 ½ NPSM	3 NPSM	2 ½ NPSM	2 NPSM	1 ½ NPSM	1 ¼ NPSM	1 NPSM	½-¾ NPSM	¼-¾ NPSM	¼-1 UN
¼ - 1 UN	4 ¾	3 ¾	3 ¾	3	2 ½	2 ¾	2	1 7/8	1 ½	1 ¾	1 ¼	1 ½
¼ - ¾ NPSM	4 ¾	3 ¾	3 ¾	3	2 ½	2 ¾	2	1 7/8	1 ½	1 ¾	1 ¼	
½ - ¾ NPSM	4 ½	3 ¾	3 ½	3 ½	2 ¾	2 ½	2 ½	2	1 ¾	1 ½		
1 NPSM	4 ¾	3 7/8	3 ¾	3 ¼	2 7/8	2 ¾	2 ¼	2 ½	2 ½	1 7/8		
1 ¼ NPSM	4 7/8	4 ½	3 7/8	3 ½	3 ½	2 7/8	2 ½	2 ¾				
1 ½ NPSM	5	4 ¼	4	3 ¾	3 ¼	3	2 ¾					
2 NPSM	5 ¾	4 ¾	4 ½	4	3 ¾	3 ¾						
2 ½ NPSM	5 ½	4 7/8	4 ¾	4 ¼	3 7/8							
3 NPSM	5 7/8	5 ¼	5	4 ¾								
3 ½ NPSM	6 ¼	5 ¾	5 ½									
4 NPSM	6 7/8	6										
5 NPSM	7 ¾											

- NOTES**
1. This information is compiled from data which we believe is reliable and is given in good faith. Since the methods of application and conditions under which our products are used are beyond our control, we are not able to guarantee the application and/or use of same. The user assumes all risks and liability in connection with the application and use of our products.
  2. All dimensions are in inches.





**TAB**



# MULTI-HUB BOXES

## Junction Boxes - Multi-Hub Boxes

### STANDARD FEATURES

- Designed for general wiring in hazardous locations. For pulling and splicing conductors. Serves as mounting outlets with use of appropriate fixture covers
- Available with dome cover for additional splicing room and mounting of various devices
- Bodies XJAB, XJAD and XJAX 26 thru 46 have two interior mounting bosses, which can be blind tapped
- Bodies XJAC, XJAL and XJAT 26 thru 46 have four interior mounting bosses, which can be blind tapped
- All bodies 570 thru 890 have solid back, can be tapped blind.



XJAB



XJAC  
No bottom hub



XJAD



XJAL  
No bottom hub

Catalog #	Conduit Size (in.)	Standard Pkg. Qty.	Standard Pkg. Weight (lbs.)
XJAB-26	½	10	9
XJAB-36	¾	10	10
XJAB-46	1	10	12
XJAB-570	1 ¼	5	25
XJAB-690	1 ½	4	22
XJAB-890	2	4	23
XJAC-26	½	10	9
XJAC-36	¾	10	10
XJAC-46	1	10	12
XJAC-570	1 ¼	5	26
XJAC-690	1 ½	4	21
XJAC-890	2	4	23
XJAD-36	¾	10	9
XJAD-46	1	10	15
XJAL-26	½	10	9
XJAL-36	¾	10	10
XJAL-46	1	10	12
XJAL-570	1 ¼	5	26
XJAL-690	1 ½	4	21
XJAL-890	2	4	23

### CERTIFICATIONS

Class I, Groups C & D

Class II, Groups E, F & G

UL Standard 886

CSA Standard C22.2 No. 30

Watertight Optional-Consult Factory





# MULTI-HUB BOXES

## Junction Boxes - Multi-Hub Boxes



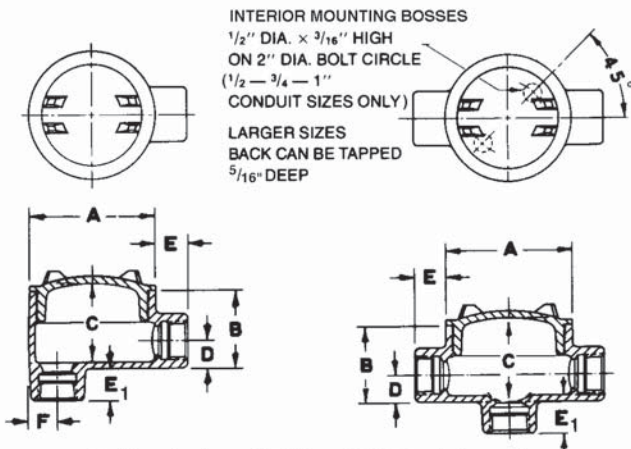
**XJAT**  
No bottom hub



**XJAX**  
No bottom hub

Catalog #	Conduit Size (in.)	Standard Pkg. Qty.	Standard Pkg. Weight (lbs.)
XJAT-26	1/2	10	10
XJAT-36	3/4	10	10
XJAT-46	1	10	13
XJAT-570	1 1/4	5	27
XJAT-690	1 1/2	4	21
XJAT-890	2	4	23
XJAX-26	1/2	10	12
XJAX-36	3/4	10	14
XJAX-46	1	10	15
XJAX-570	1 1/4	5	27
XJAX-690	1 1/2	4	21
XJAX-890	2	4	23

DIMENSIONS (INCHES)							
Conduit Size (in.)	A	B	C	D	E	F	E1
1/2	3 1/2	2	2	5/8	7/8	1 1/16	7/8
3/4	3 1/2	2	2	3/4	7/8	1 3/16	7/8
1	3 1/2	2 3/16	2 3/16	7/8	1	1 5/16	1
1 1/4	6 3/8	3 3/16	3 3/4	1 3/32	1 1/16	1 13/32	1
1 1/2	6 3/8	3 3/16	3 3/4	1 9/32	3/4	1 19/32	1
2	6 3/8	3 13/16	4	1 1/16	3/4	1 7/8	1



Bottom hub on XJAB and XJAD styles only.

### CERTIFICATIONS

Class I, Groups C & D  
 Class II, Groups E, F & G  
 UL Standard 886  
 CSA Standard C22.2 No. 30  
 Watertight Optional-Consult Factory



EXPLOSIONPROOF  
Junction Boxes

# REMOVABLE PLUGS

## Close-Up Plugs

### STANDARD FEATURES

- Tapered thread close-up plugs for explosionproof conduit entrances. Provides 5 full threads of engagement.. Style A is made of aluminum alloy, these plugs have screw-driver slots and fit practically flush when installed.

#### STYLE A - ALUMINUM ALLOY SLOTTED HEAD

Catalog #	Conduit Size (in.)	Standard Package	
		Qty.	Weight (lbs.)
OX2	½	100	6 ¾
OX3	¾	100	10 ¼
OX4	1	50	9
OX5	1 ¼	50	12
OX6	1 ½	50	12
OX8	2	50	12
OX10	2 ½	15	20 ½
OX12	3	15	30
OX14	3 ½	15	40

#### STYLE B - PLATED STEEL SQUARE DRIVE

Catalog #	Conduit Size (in.)	Standard Package	
		Qty.	Weight (lbs.)
3-265	½	100	6 ¾
3-275	¾	100	10 ¼

Dimensions are nominal (inches).



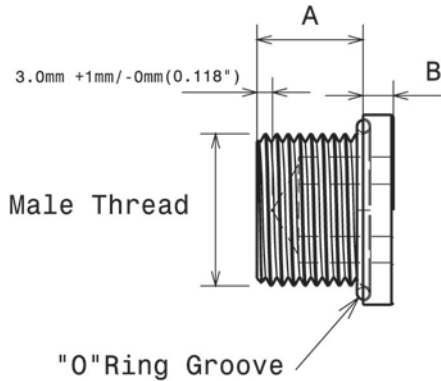
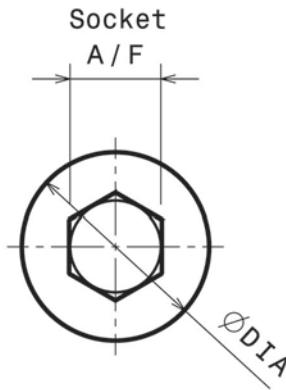
Style A



Style B

# REMOVABLE PLUGS

## Close-Up Plugs - Type 'U'



### STANDARD FEATURES

- Used to seal unused cable gland or conduit entries in Exe approved enclosures, maintaining the hazardous location certification and the overall integrity of the installation.

PART NUMBER BUILD **U5** **20** **S** **NT**

BASE CATALOG NUMBER

**O-RING**  
Nitrile (std.) - NT  
Silicone - SC

**MATERIAL**  
Nickel Plated Brass - N  
316 Stainless Steel - SC

THREAD DESIGNATION						
Metric	NPT	NPS	ISO	ISO	ET	PG
16	½	½S	½P	½T	½E	7
20	¾	¾S	¾P	¾T	¾E	9
25	1	1S	1P	1T	1E	11
32	1¼	1¼S	1¼P	1¼T	1¼E	13
40	1½	1½S	1½P	1½T	1½E	16P
50	2	2S	2P	2T	2E	21
63	2½	2½S	2½P	2½T	2½E	29
75	3	2S	3P	3T	3E	36
80	3½	3½S	3½P	3½T		42
85	4	4S	4P	4T		48
90	Note: Metric sizes M80 and larger are 2.0mm					
95	pitch is Standard, for 1.5mm pitch add *					
100						

EXPLOSIONPROOF  
Fittings & Accessories

### CERTIFICATIONS

Class I, Div 1 Groups A, B, C & D  
AExd IIC / AExe II Class I, Zone 1

II 2 GD Exd IIC/Exe II Category 2 & 3  
CSA Standard C22.2 No. 30



# PULL ELBOWS

## Short Radius Pull Elbows

### STANDARD FEATURES

- This versatile and inexpensive explosion-proof fitting with a threaded cover will easily and compactly handle 90° conduit runs. FL series have two female entrances.
- MFL series has one female entrance and one removable threaded nipple.

Catalog #	Conduit Size (in.)	Nominal Dimensions (in.)			Std. Package	
		A	B	C	Qty.	Weight lbs.
FL92	1/2	2 5/8	2 1/8	1 3/8	25	8
FL93	3/4	2 13/16	2 1/8	1 1/2	25	10 1/2
FL94	1	3 1/4	2 7/16	1 7/8	25	11
FL95	1-1/4	3 3/4	3 1/2	2 1/4	25	24
*FL96	1-1/2	4 5/8	4 3/16	2 5/8	25	30
MFL92	1/2	2 5/8	2 1/8	1 3/8	25	9
MFL93	3/4	2 13/16	2 1/8	1 1/2	25	12
MFL94	1	3 1/4	2 7/16	1 7/8	25	13
MFL95	1-1/4	3 3/4	3 1/2	2 1/4	25	26
*MFL96	1-1/2	4 5/8	4 3/16	2 5/8	25	34

\* Fitting not UL Listed or CSA Certified

### Certifications

Class I, Group D  
Class II, Groups E, F & G  
Class III

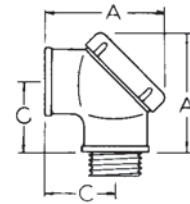
UL Standard 886  
CSA Standard C22.2  
No. 30



FL



MFL



## Sealing Cement / Packing Fiber



XSC

XAF

- ADACO SEALING CEMENT is the easiest-to-use sealing cement on the market. The powder is contained in a polyethylene bag within an outer container. To mix, remove the bag of powder, fill the outside container with water up to the marked "water line" and pour in the powder. Simple... no guesswork about how much water to use. The mixing container is right there...and clean. The largest unit package offered contains one pound of powder. The XSC-160 (10-pound quantity) consists of 10, one-pound packages (at the ten-pound price) so that every mix is correct. This cement has been especially prepared for use in Adalet Sealing Fittings. It is not an insulating compound, and is not affected by gasoline, alcohol, benzol, oils, acetone or lacquer solvents.
- ADACO PACKING FIBER is used with Adaco Sealing Cement for plugging conduit openings in fittings. Alumina Silica based long fiber non-asbestos for use as a packing at the hubs of sealing units to prevent the Sealing Cement in the liquid state from entering the conduit lines. The Fiber is tamped between the wires and the hub before the Sealing Cement is poured into the fitting.

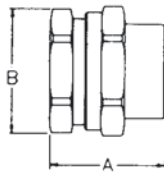
Catalog #	Description	Net Weight
XSC-8	ADACO No. 1	8 oz.
XSC-16	Sealing	16 oz.
XSC-160	Cement	10 lbs.
XAF-6	ADACO	1-1/2 oz.
XAF-24	Packing	6 oz.
XAF-64	Fiber	1 lb.

# CONDUIT UNIONS

## Conduit Unions



XU



### STANDARD FEATURES

- Explosionproof unions for use in conduit piping systems for ease of installation and removal of fittings, boxes and equipment enclosures in hazardous atmosphere areas.
- Parts are steel, zinc and clear dichromate plated for corrosion protection. Style XU has two female NPT threads.
- Close nipple may be installed in field.

Catalog #	Conduit Size (in.)	Connection	Std. Package Qty.	Weight lbs.
XU2	1/2"	Female-Female	50	19
XU3	3/4"	Female-Female	50	21
XU4	1"	Female-Female	25	13 1/2

NOMINAL DIMENSIONS (inches)			
Catalog #	Conduit Size	A	B
XU	1/2"	1 3/4"	1 1/2"
	3/4"	1 3/4"	1 3/4"
	1"	1 15/16"	2"

### CERTIFICATIONS

Class I, Groups A, B, C & D  
 Class II, Groups E, F & G  
 UL Standard 886  
 CSA Standard C22.2 No. 30



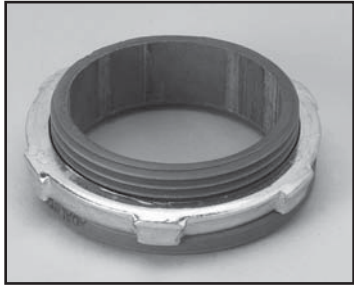
# BUSHINGS

## Bushings

### Type PEML With Locknut

Fittings & Accessories

TYPE PEML WITH LOCKNUT						
Catalog #	Conduit Size (in.)	Nominal Dimensions (in.)			Std. Package	
		I.D.	O.D.	Height	Qty.	Weight (lbs. per 100)
PEML-2	1/2	5/8	1 1/8	5/8	50	2 1/2
PEML-3	3/4	13/16	1 5/16	5/8	50	3 1/2
PEML-4	1	1	1 5/8	25/32	50	6
PEML-5	1 1/4	1 3/8	2	25/32	25	6 1/2
PEML-6	1 1/2	1 5/8	2 1/4	25/32	25	9
PEML-8	2	2	2 3/4	25/32	10	11
PEML-10	2 1/2	2 7/16	3 1/4	1 1/16	5	30
PEML-12	3	3	3 7/8	1 1/16	5	34
PEML-14	3 1/2	3 1/2	4 3/8	1 1/16	5	39
PEML-16	4	4	5	1 1/16	2	56



TYPE PEML

A high strength resilient male bushing recommended to protect wires passing through metal walls, partitions and similar applications. Furnished with metallic locknuts.

## Insulating Bushings

### Poly Precision Molded

POLY PRECISION MOLDED INSULATED BUSHINGS						
Catalog #	Conduit Size (in.)	Nominal Dimensions (in.)			Std. Package	
		I.D.	O.D.	Height	Qty.	Weight (lbs. per 100)
PM-2	1/2	19/32	1 1/16	13/32	100	1
PM-3	3/4	25/32	1 5/16	13/32	100	1
PM-4	1	1	1 5/8	1/2	50	2
PM-5	1-1/4	1 5/16	2	1/2	25	3
PM-6	1-1/2	1 17/32	2 7/32	9/16	25	3
PM-8	2	1 31/32	2 21/32	9/16	10	6
PM-10	2-1/2	2 5/16	3 5/16	5/8	5	11
PM-12	3	2 7/8	3 15/16	11/16	5	14
PM-14	3-1/2	3 5/16	4 7/16	11/16	5	22
PM-16	4	3 25/32	4 29/32	11/16	5	23
*PM-20	5	4 13/16	6 3/16	31/32	2	40



TYPE PM

A rugged, high strength molded bushing for general use on rigid conduit connectors and similar installations.

Listed by Underwriters Laboratories Inc. for 105° C (221° F). Meets all re-

#### CERTIFICATIONS

UL Listed

\*PM-20 not UL Listed



# Sali Insulating Bushings

## Superior ADALET Laminated Insulation



### STANDARD FEATURES

- Sali bushings are machined from paper laminated phenolic material and comply with NEMA-X phenolic material specifications.
- 11,000 psi tensile
- 17,000 flexural
- 450v/mil dielectric
- Heat resistance - 150° C, continuous
- Moisture absorption - ½ of 1%
- Listed by Underwriters Laboratories for your quality assurance.
- Sali bushings have been repeatedly proved in a wide variety of applications over a 50 years.

### TYPE PE-FEMALE-DEEP-THREADED

Catalog #	Conduit Size (in.)	Nominal Dimensions (in.)			Std. Package	
		I.D.	O.D.	Height	Qty.	Weight (lbs. per 100)
PE-2	½	⅝	1 ⅛	⅝	50	1 ½
PE-3	¾	1⅜	1 ⅝	⅝	50	2
PE-4	1	1	1 ⅝	2⅝/32	50	3 ½
PE-5	1 ¼	1 ⅝	2	2⅝/32	25	4 ½
PE-6	1 ½	1 ⅝	2 ¼	2⅝/32	25	5 ½
PE-8	2	2	2 ¾	2⅝/32	10	7 ½
PE-10	2 ½	2 ⅞	3 ¼	1	5	12
PE-12	3	3	3 ⅞	1 ⅞	5	16
PE-14	3 ½	3 ½	4 ⅜	1 ⅞	5	19
PE-16	4	4	5	1 ⅞	2	24

Recommended for rigid conduit or in combination with male type PEM bushing when maximum thread engagement is required.

### CERTIFICATIONS

UL Listed E10016



# FLEXIBLE COUPLINGS

## Explosionproof and Dust-Tight Flexible Couplings

### STANDARD FEATURES

- 63 standard sizes
- Conduit sizes from 1/2" npt through 1-1/4" npt
- Lengths from 4" to 36", NEC limits length to 36"
- Two female-threaded end fittings with male nipples
- UL Listed for use in hazardous locations
- Corrosion resistant and watertight
- Perfect for tight spaces which require difficult bends
- Custom lengths available

### CERTIFICATIONS

**UL listed for use in the following hazardous areas:**

- |                |   |
|----------------|---|
| 1/2", 3/4"     | — Class I Groups A, B, C, D<br>— Class II Groups E, F, G                    |
| 1", 1-1/2", 2" | — Class I Groups C, D<br>— Class II Groups E, F, G                          |
| 1-1/4"         | — Class I Group D<br>— Class II Groups E, F, G<br>— Class II Groups E, F, G |





# FLEXIBLE COUPLINGS



Cat. No.	Size	Length	Pkg. Wt.	Dim. A	Dim. B
FC-14	1/2"	4"	1	1.54	1.44
FC-16	1/2"	6"	1.2	1.54	1.44
FC-18	1/2"	8"	1.4	1.54	1.44
FC-110	1/2"	10"	1.6	1.54	1.44
FC-112	1/2"	12"	1.8	1.54	1.44
FC-115	1/2"	15"	2.1	1.54	1.44
FC-118	1/2"	18"	2.4	1.54	1.44
FC-121	1/2"	21"	2.7	1.54	1.44
FC-124	1/2"	24"	3	1.54	1.44
FC-127	1/2"	27"	3.3	1.54	1.44
FC-130	1/2"	30"	3.6	1.54	1.44
FC-133	1/2"	33"	3.9	1.54	1.44
FC-136	1/2"	36"	4.2	1.54	1.44
FC-24	3/4"	4"	1.2	1.6	1.87
FC-26	3/4"	6"	1.4	1.6	1.87
FC-28	3/4"	8"	1.7	1.6	1.87
FC-210	3/4"	10"	2	1.6	1.87
FC-212	3/4"	12"	2.2	1.6	1.87
FC-215	3/4"	15"	2.6	1.6	1.87
FC-218	3/4"	18"	3	1.6	1.87
FC-221	3/4"	21"	3.4	1.6	1.87
FC-224	3/4"	24"	3.8	1.6	1.87
FC-227	3/4"	27"	4.2	1.6	1.87
FC-230	3/4"	30"	4.6	1.6	1.87
FC-233	3/4"	33"	5	1.6	1.87
FC-236	3/4"	36"	5.3	1.6	1.87
FC-36	1"	6"	2.7	2	2.31
FC-38	1"	8"	3.7	2	2.31
FC-310	1"	10"	4.6	2	2.31
FC-312	1"	12"	5.5	2	2.31
FC-315	1"	15"	6.1	2	2.31

Cat. No.	Size	Length	Pkg. Wt.	Dim. A	Dim. B
FC-321	1"	21"	7.3	2	2.31
FC-324	1"	24"	7.9	2	2.31
FC-327	1"	27"	8.5	2	2.31
FC-330	1"	30"	9	2	2.31
FC-333	1"	33"	9.7	2	2.31
FC-336	1"	36"	10.3	2	2.31
FC-412	1-1/4"	12"	7.2	2.12	2.74
FC-415	1-1/4"	15"	8.1	2.12	2.74
FC-418	1-1/4"	18"	9	2.12	2.74
FC-421	1-1/4"	21"	9.9	2.12	2.74
FC-424	1-1/4"	24"	10.8	2.12	2.74
FC-427	1-1/4"	27"	11.7	2.12	2.74
FC-430	1-1/4"	30"	12.6	2.12	2.74
FC-433	1-1/4"	33"	13.5	2.12	2.74
FC-436	1-1/4"	36"	14.4	2.12	2.74
FC-512	1-1/2"	12"	14.7	2.37	3.61
FC-515	1-1/2"	15"	16.8	2.37	3.61
FC-518	1-1/2"	18"	18.9	2.37	3.61
FC-521	1-1/2"	21"	21	2.37	3.61
FC-524	1-1/2"	24"	23	2.37	3.61
FC-527	1-1/2"	27"	25	2.37	3.61
FC-530	1-1/2"	30"	27	2.37	3.61
FC-533	1-1/2"	33"	29	2.37	3.61
FC-536	1-1/2"	36"	31	2.37	3.61
FC-612	2"	12"	15	2.41	4.33
FC-615	2"	15"	17.1	2.41	4.33
FC-618	2"	18"	19.2	2.41	4.33
FC-621	2"	21"	21.3	2.41	4.33
FC-624	2"	24"	23.3	2.41	4.33
FC-627	2"	27"	25.4	2.41	4.33
FC-630	2"	30"	27.3	2.41	4.33
FC-633	2"	33"	29.4	2.41	4.33





**TAB**



# NEMA Type 4X

## Stainless Steel Panelboards

### **STANDARD FEATURES**

- ESS316L Construction with continuously welded seams ground smooth
- Gland Plates top & bottom with Breather Drains
- Eaton Pow-R-Line C™ 1a & 2a Panelboards (bolt-on breakers)
- 18-42 Circuit Main Lug Only
- 18-24 Circuit Back Fed Main Breaker (100A max) Top or Bottom Fed
- 1-Phase 3-Wire 120/240 Volt, 3-Phase 4-Wire 120/208 Volt, 3-Phase 4-Wire 277/480 Volt
- 100 or 225 Amp Copper Bus
- Ground Bar and Isolated Neutral Bus
- 10kA Interrupting Capacity (Sym.)

### How To Order:

- 1. Specify Catalog Number**
- 2. Starting with Circuit #1** (Circuit #2 on back fed main breaker panelboards), specify circuit breaker type, number of poles, and ampacity.
- 3. For N4XPBH Series:**
  - Handles will be provided for each breaker specified.
  - Unused spaces will be plugged.
  - For blank spaces requiring handles, specify handle catalog number and circuit number.
- 4. Specify Entries**, if Any are Required
  - Attach layout sheet.

### **CERTIFICATIONS**

UL508A, File Number E185906

UL50E, Type 4, 4X & 13

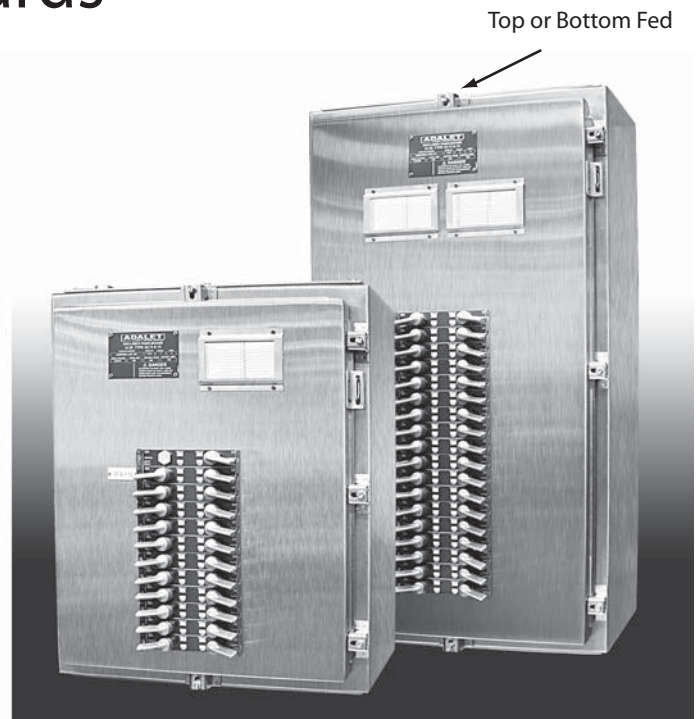


# Stainless Steel Panelboards

## N4XPBH Series

### STANDARD FEATURES

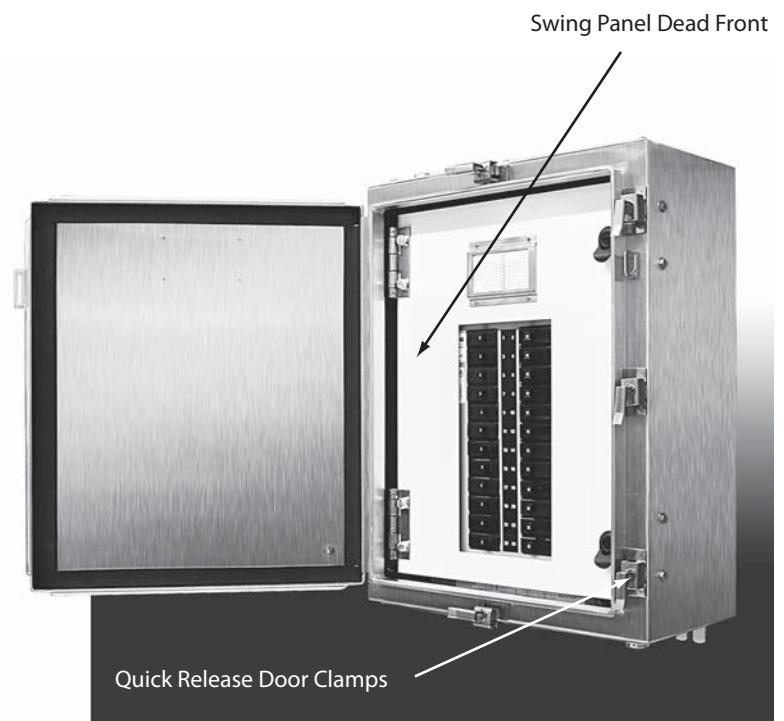
- Type 4X, 12 & 13 Enclosed Panelboard
- Circuit Breaker Operating Handles—aluminum handles (stainless steel handle option available, consult factory) with stainless steel bushings and shafts. V-ring seals, gaskets and sealing nuts provided for water tight seal. Handles are spring loaded allowing for the door to be closed with the breaker toggle in any position. GFI/EPD handles are colored green and include external test capabilities.
- Lockplate provision provides padlocking for each individual breaker in either the “on” or “off” position.
- Individual operating labels identify breaker position (on, off, tripped) the circuit number and breaker amperages.
- Circuit Directory Holder Card
- Back Fed Main Breaker Assemblies provided with “Main” Nameplate.
- UL/cUL Listed



## N4XPB Series

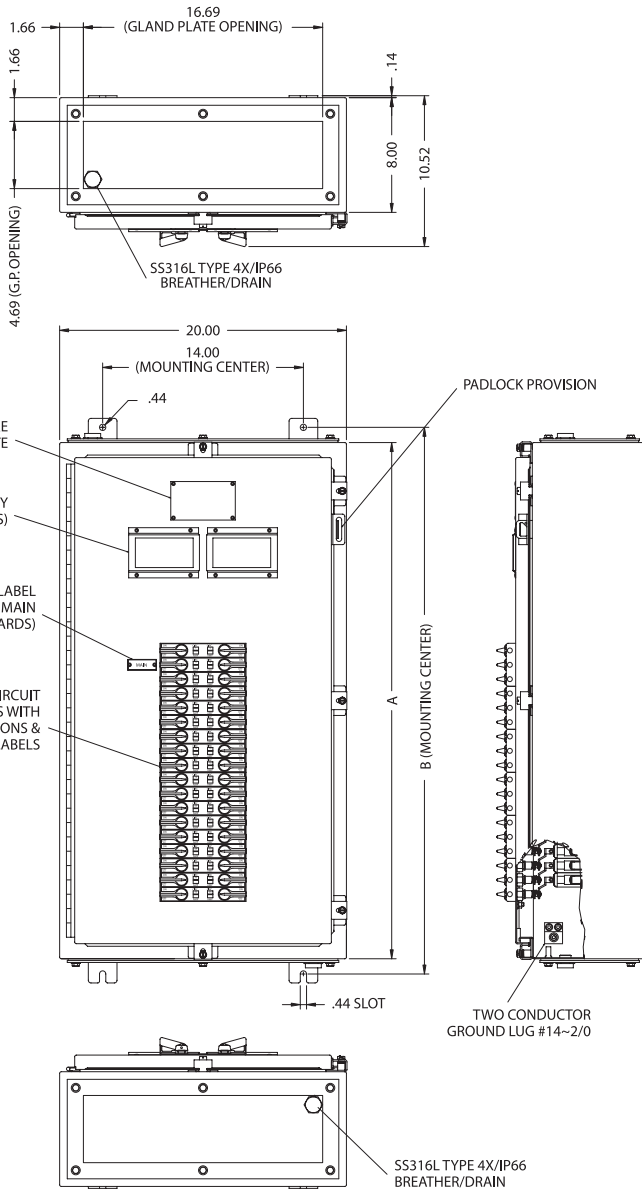
### STANDARD FEATURES

- Type 4X, 12 & 13 Enclosed Panelboard
- Swing Panel Dead Front isolates the wiring space, wiring gutter and termination area which would be otherwise exposed when the door is opened.
- Quick Release Door Clamps for fast access to interior panel (optional)
- UL/cUL Listed

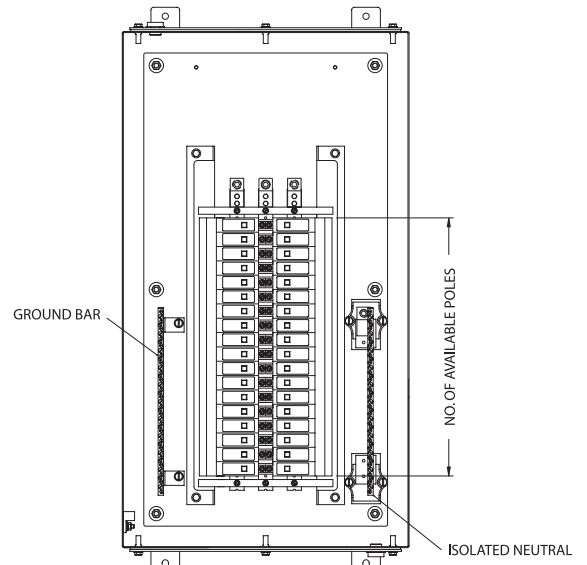


# NEMA Type 4X

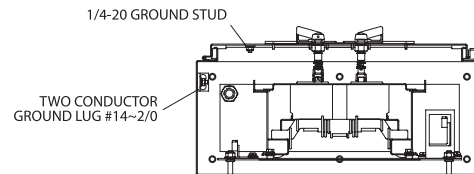
## Stainless Steel Panelboards - N4XPBH Series



(Top Fed Model Shown)



VIEW SHOWN WITHOUT DEADFRONT



### BRANCH BREAKERS

PRL1A			PRL2A		
Type	Poles	Ampacity	Type	Poles	Ampacity
BAB	1	10-70 & 100	GHB	1	15-100
	2	10-125		2	15-100
	3	10-100		3	15-100
QBGF	1	15-40			
	2	15-50			
QBGFEP	1	15-40			
	2	15-50			



## N4XPBH SERIES PANELBOARDS (Top Fed)

	Catalog #	# of Avail. Poles	Electrical Rating (see Note 3)	Buss Amp	Panelboard	A	B
Main Lug Only	N4XPBH1-121-L1	12	1Ø-3W 120/240V	100	PRL1A	16.00	18.13
	N4XPBH1-181-L1	18	1Ø-3W 120/240V	100	PRL1A	24.00	26.13
	N4XPBH1-241-L1	24	1Ø-3W 120/240V	100	PRL1A	24.00	26.13
	N4XPBH1-241-L2	24	1Ø-3W 120/240V	225	PRL1A	30.00	32.13
	N4XPBH1-301-L2	30	1Ø-3W 120/240V	225	PRL1A	30.00	32.13
	N4XPBH1-361-L2	36	1Ø-3W 120/240V	225	PRL1A	36.00	38.13
	N4XPBH1-421-L2	42	1Ø-3W 120/240V	225	PRL1A	36.00	38.13
	N4XPBH1-123-L1	12	3Ø-4W 120-208V	100	PRL1A	16.00	18.13
	N4XPBH1-183-L1	18	3Ø-4W 120-208V	100	PRL1A	24.00	26.13
	N4XPBH1-243-L1	24	3Ø-4W 120-208V	100	PRL1A	24.00	26.13
	N4XPBH1-243-L2	24	3Ø-4W 120-208V	225	PRL1A	30.00	32.13
	N4XPBH1-303-L2	30	3Ø-4W 120-208V	225	PRL1A	30.00	32.13
	N4XPBH1-363-L2	36	3Ø-4W 120-208V	225	PRL1A	36.00	38.13
	N4XPBH1-423-L2	42	3Ø-4W 120-208V	225	PRL1A	36.00	38.13
	N4XPBH2-123-L1	12	3Ø-4W 277-480V	100	PRL2A	16.00	18.13
	N4XPBH2-183-L1	18	3Ø-4W 277-480V	100	PRL2A	24.00	26.13
	N4XPBH2-243-L1	24	3Ø-4W 277-480V	100	PRL2A	24.00	26.13
	N4XPBH2-243-L2	24	3Ø-4W 277-480V	225	PRL2A	30.00	32.13
	N4XPBH2-303-L2	30	3Ø-4W 277-480V	225	PRL2A	30.00	32.13
	N4XPBH2-363-L2	36	3Ø-4W 277-480V	225	PRL2A	36.00	38.13
N4XPBH2-423-L2	42	3Ø-4W 277-480V	225	PRL2A	36.00	38.13	
100A Back Fed Main Breaker	N4XPBH1-161-B1	16	1Ø-3W 120/240V	100	PRL1A	24.00	26.13
	N4XPBH1-221-B1	22	1Ø-3W 120/240V	100	PRL1A	24.00	26.13
	N4XPBH1-153-B1	15	3Ø-4W 120/208V	100	PRL1A	24.00	26.13
	N4XPBH1-213-B1	21	3Ø-4W 120/208V	100	PRL1A	24.00	26.13
	N4XPBH2-153-B1	15	3Ø-4W 277/480V	100	PRL2A	24.00	26.13
	N4XPBH2-213-B1	21	3Ø-4W 277/480V	100	PRL2A	24.00	26.13

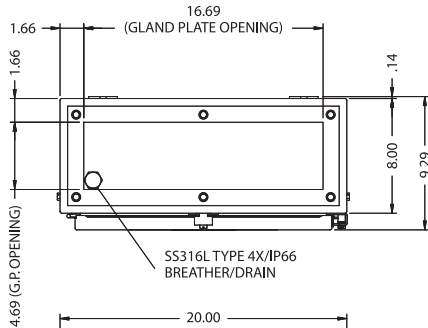
- NOTES:** 1. For Bottom Fed Model add suffix -BF  
 2. For fast operating lever door clamps add suffix -LC  
 3. 10kA Interrupting Capacity (Sym.)

## BRANCH CIRCUIT OPERATING HANDLES &amp; PLUGS

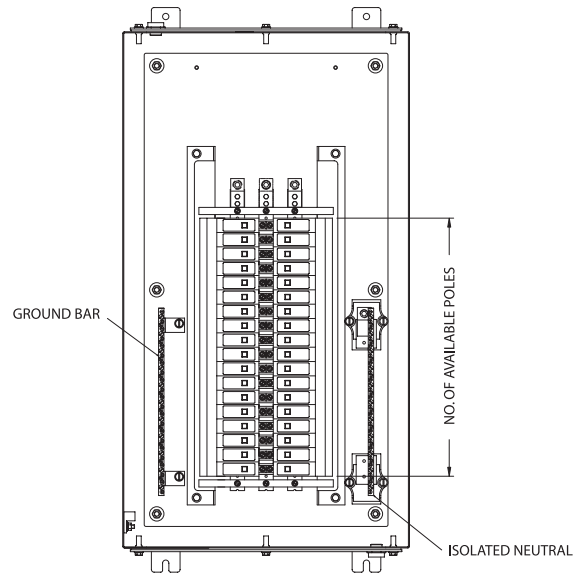
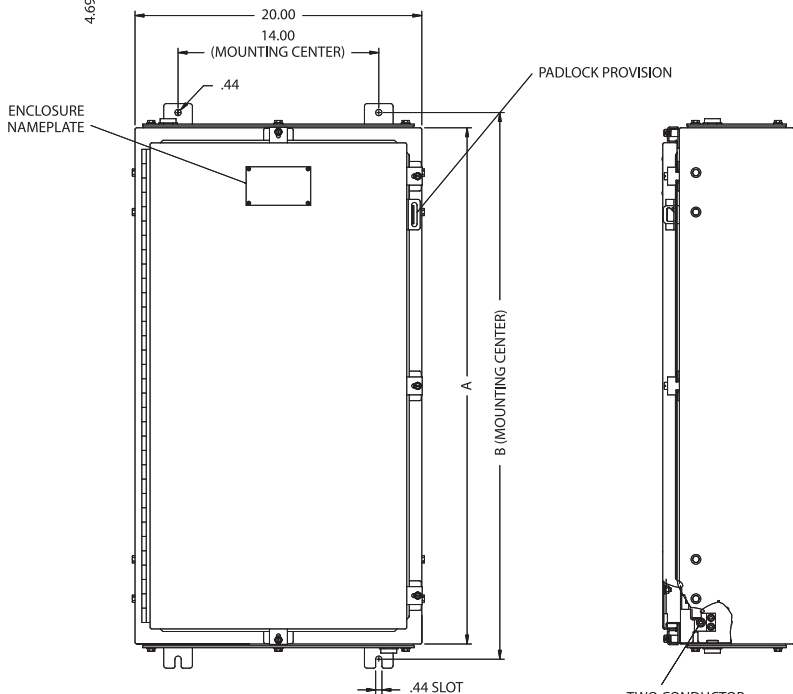
Catalog #	Description
N4XPB1-H1	Single Pole PL1A Breaker Handle
N4XPB1-H2	Two Pole PL1A Breaker Handle
N4XPB1-H3	Three Pole PL1A Breaker Handle
N4XPB1-H	PL2A Breaker Handle (ALL POLES)
N4XPB1-GL	Single Pole PL1A GFI/EPD Breaker Handle - Left Hand
N4XPB1-GR	Single Pole PL1A GFI/EPD Breaker Handle - Right Hand
N4XPB1-GL2	Two Pole PL1A GFI/EPD Breaker Handle - Left Hand
N4XPB1-GR2	Two Pole PL1A GFI/EPD Breaker Handle - Right Hand
N4XPB-HP	Unused Operator Hole Plug

# NEMA Type 4X

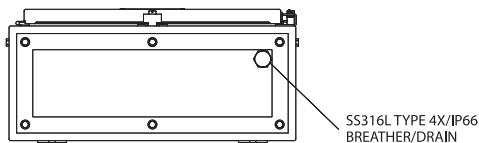
## Stainless Steel Panelboards - N4XPB Series



(Top Fed Model Shown)



VIEW SHOWN WITHOUT DEADFRONT & SWING PANEL



TWO CONDUCTOR GROUND LUG #14~2/0

1/4-20 GROUND STUD

TWO CONDUCTOR GROUND LUG #14~2/0

### BRANCH BREAKERS

PRL1A			PRL2A		
Type	Poles	Ampacity	Type	Poles	Ampacity
BAB	1	10-70 & 100	GHB	1	15-100
	2	10-125		2	15-100
	3	10-100		3	15-100
QBGF	1	15-40			
	2	15-50			
QBGFEP	1	15-40			
	2	15-50			

## N4XPB SERIES PANELBOARDS (Top Fed)

	Catalog #	# of Avail. Poles	Electrical Rating (see Note 3)	Buss Amp	Panelboard	A	B
Main Lug Only	N4XPB1-121-L1	12	1Ø-3W 120/240V	100	PRL1A	16.00	18.13
	N4XPB1-181-L1	18	1Ø-3W 120/240V	100	PRL1A	24.00	26.13
	N4XPB1-241-L1	24	1Ø-3W 120/240V	100	PRL1A	24.00	26.13
	N4XPB1-241-L2	24	1Ø-3W 120/240V	225	PRL1A	30.00	32.13
	N4XPB1-301-L2	30	1Ø-3W 120/240V	225	PRL1A	30.00	32.13
	N4XPB1-361-L2	36	1Ø-3W 120/240V	225	PRL1A	36.00	38.13
	N4XPB1-421-L2	42	1Ø-3W 120/240V	225	PRL1A	36.00	38.13
	N4XPB1-123-L1	12	3Ø-4W 120-208V	100	PRL1A	16.00	18.13
	N4XPB1-183-L1	18	3Ø-4W 120-208V	100	PRL1A	24.00	26.13
	N4XPB1-243-L1	24	3Ø-4W 120-208V	100	PRL1A	24.00	26.13
	N4XPB1-243-L2	24	3Ø-4W 120-208V	225	PRL1A	30.00	32.13
	N4XPB1-303-L2	30	3Ø-4W 120-208V	225	PRL1A	30.00	32.13
	N4XPB1-363-L2	36	3Ø-4W 120-208V	225	PRL1A	36.00	38.13
	N4XPB1-423-L2	42	3Ø-4W 120-208V	225	PRL1A	36.00	38.13
	N4XPB2-123-L1	12	3Ø-4W 277-480V	100	PRL1A	16.00	18.13
	N4XPB2-183-L1	18	3Ø-4W 277-480V	100	PRL2A	24.00	26.13
	N4XPB2-243-L1	24	3Ø-4W 277-480V	100	PRL2A	24.00	26.13
	N4XPB2-243-L2	24	3Ø-4W 277-480V	225	PRL2A	30.00	32.13
	N4XPB2-303-L2	30	3Ø-4W 277-480V	225	PRL2A	30.00	32.13
	N4XPB2-363-L2	36	3Ø-4W 277-480V	225	PRL2A	36.00	38.13
N4XPB2-423-L2	42	3Ø-4W 277-480V	225	PRL2A	36.00	38.13	
100A Back Fed Main Breaker	N4XPB1-161-B1	16	1Ø-3W 120/240V	100	PRL1A	24.00	26.13
	N4XPB1-221-B1	22	1Ø-3W 120/240V	100	PRL1A	24.00	26.13
	N4XPB1-153-B1	15	3Ø-4W 120/208V	100	PRL1A	24.00	26.13
	N4XPB1-213-B1	21	3Ø-4W 120/208V	100	PRL1A	24.00	26.13
	N4XPB2-153-B1	15	3Ø-4W 277/480V	100	PRL2A	24.00	26.13
	N4XPB2-213-B1	21	3Ø-4W 277/480V	100	PRL2A	24.00	26.13

- NOTES:**
1. For Bottom Fed Model add suffix -BF
  2. For fast operating lever door clamps add suffix -LC
  3. 10kA Interrupting Capacity (Sym.)

## CLASS I, DIV 2 • CLASS I, ZONE 2

# Factory Sealed Panelboards

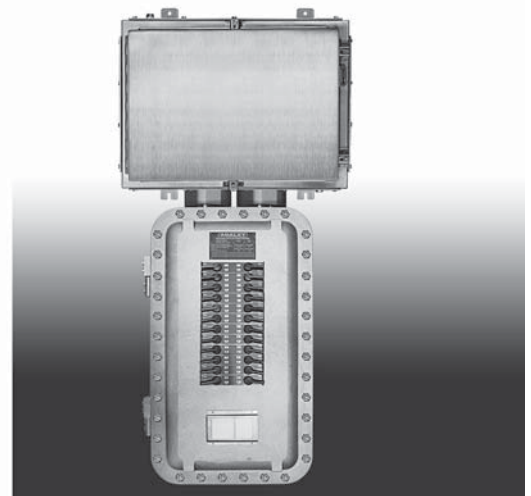
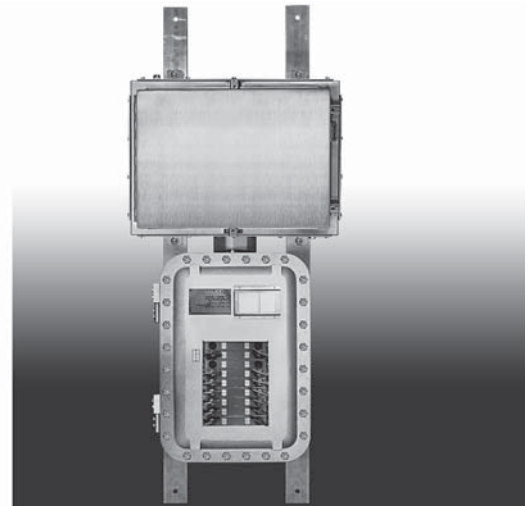
Designed for use In Class I, Division 2 and Class I, Zone 2 areas such as petroleum refineries, chemical or petrochemical facilities, the factory sealed panelboards are used to control lighting & appliance, power circuits & power distribution in applications requiring branch power distribution, over current, and short circuit protection.

Utilizing electrical components from Cutler Hammer, the Adalet factory sealed panelboards are pre-wired and factory sealed from the circuit breakers inside the flameproof enclosure to the main distribution blocks and branch terminals housed in an IP66 rated, Type 4X stainless steel Increased Safety terminal enclosure. The factory seal between the breaker enclosure and terminal enclosure eliminates the need for external sealing.

All Adalet factory sealed panelboards are equipped with padlockable external operating handles, copper bus, isolated neutral and ground bar, GFI or EPD breakers, and terminal blocks. Gasketed covers provide type NEMA 4X rated protection for a water tight seal, and stainless steel cover bolts, removable hinges, and breather/drain are included as standard features.

## STANDARD FEATURES

- Factory Sealed, no External Seals required.
- Fully Wired from Panelboard Enclosure to Terminal Enclosure.
- External Operating Handles can be padlocked either in the "ON" or "OFF" positions.
- Spring-loaded Operator Handles allow cover to close with handles in any position.
- Copper Bus is standard.
- Isolated Neutral and Ground Bar provided.
- Available with GFI or EPD Breakers
- Type 4 Gasketing provided for water and dust-tight seal.
- Breather and Drain provided for each enclosure.
- Removable Gland Plates for field installation of conduit entries.
- Terminal Enclosure has folded lip around the door opening to provide complete and maximum gasket contact, and to prevent liquids from dripping into the enclosure when the door is open.
- Terminal Enclosure has continuously welded seams ground to a smooth finish.
- Ample wire bending space allows for easy terminal connection.



## How To Order:

1. **Specify Catalog Number**
2. **Starting with Circuit #1** (Circuit #2 on back fed main breaker panelboards), specify circuit breaker type, number of poles, and ampacity.
3. **Note:**
  - Handles will be provided for each breaker specified.
  - Unused spaces will be plugged.
  - For blank spaces requiring handles, specify handle catalog number and circuit number.
4. **Specify Entries**, if Any are Required
  - Attach layout sheet.

## CLASS I, DIV 2 • CLASS I, ZONE 2

## X2PB1 Series

### STANDARD FEATURES

- Eaton Pow-R-Line C™ 1a Panelboard
- 12, 24, 30, 36 & 42 Circuit Main Lug Only
- 18 & 24 Circuit Back Fed Main Breaker(100A max)
- 12, 24, 36 & 42 Circuit Vertical Main Breaker
- Top or Bottom Fed
- 1-Phase 3-Wire 120/240 Volt, 3-Phase 4-Wire 120/208 Volt
- 100 or 225 Amp Copper Bus
- Pre-wired for (2) or (3) 100 Amp branch spaces and the balance for up to 50 Amp branch spaces

## X2PB2 Series

### STANDARD FEATURES

- Eaton Pow-R-Line C™ 2a Panelboard
- 12, 24, 30, 36 & 42 Circuit Main Lug Only
- 18 & 24 Circuit Back Fed Main Breaker (100A max)
- 12, 24, 36 & 42 Circuit Vertical Main Breaker
- Top or Bottom Fed
- 3-Phase 4-Wire 277/480 Volt
- 100 or 225 Amp Copper Bus
- Pre-wired for (2) or (3) 100 Amp branch spaces & the balance for up to 50 Amp branch spaces

## X2PB3 Series

### STANDARD FEATURES

- Eaton Pow-R-Line C™ 3a Panelboard
- 12, 18, 24 & 30 Circuit Main Lug Only (3-Pole Breakers Only).
- Top or Bottom Fed

### BRANCH CIRCUIT OPERATING HANDLES & PLUGS

Catalog #	Description
X2PB1-H1	Single Pole PL1A Breaker Handle
X2PB1-H2	Two Pole PL1A Breaker Handle
X2PB1-H3	Three Pole PL1A Breaker Handle
X2PB1-H	PL2A Breaker Handle (ALL POLES)
X2PB1-HGL1	Single Pole PL1A GFI/EPD Breaker Handle - Left Hand
X2PB1-HGR1	Single Pole PL1A GFI/EPD Breaker Handle - Right Hand
X2PB1-HGL2	Two Pole PL1A GFI/EPD Breaker Handle - Left Hand
X2PB1-HGR2	Two Pole PL1A GFI/EPD Breaker Handle - Right Hand
X2PB-MB	PL1A/PL2A Vertical Main Breaker Assembly
X2P3-H	PL3A Circuit Breaker Handle
15562-7	PL1A/PL2A Branch Space Hole Plug
18023	PL3A Branch Space Hole Plug

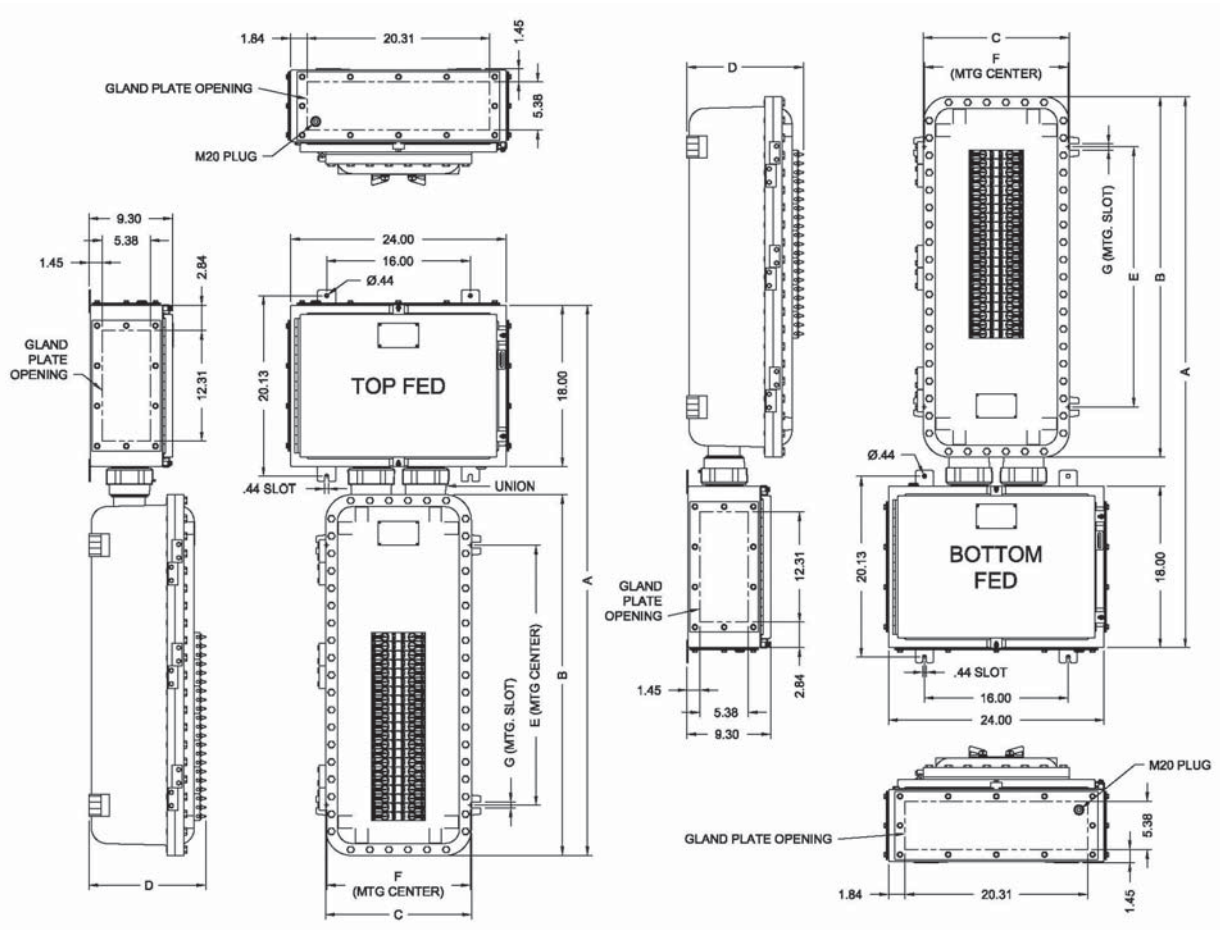
### BRANCH CIRCUIT BREAKERS, GFI & EPD

Catalog #	Description
X2PB1-1*	1 Pole, 120/240 Volt, Branch Breaker (10-70, 100 Amp.)
X2PB1-2*	2 Pole, 120/240 Volt, Branch Breaker (10-125 Amp.)
X2PB1-3*	3 Pole, 240 Volt, Branch Breaker (10-100 Amp.)
X2PB2-1*	1 Pole, 277/480 Volt, Branch Breaker (15-100 Amp.)
X2PB2-2*	2 Pole, 277/480 Volt, Branch Breaker (15-100 Amp.)
X2PB2-3*	3 Pole, 277/480 Volt, Branch Breaker (15-100 Amp.)
XBP1-1GFCl*	1 Pole, 120 Volt, 5mA, Ground Fault Circuit Breaker (15-40 Amp.)
XBP1-2GFCl*	2 Pole, 120/240 Volt, 5mA, Ground Fault Circuit Breaker (15-40 Amp.)
XBP1-1GFEPD*	1 Pole, 120 Volt, 30mA, Ground Fault Equipment Protector (15-40 Amp.)
XBP1-1GFEPD*	2 Pole, 120/240 Volt, 30mA, Ground Equipment Protector (15-40 Amp.)
XPB3-43*	3 Pole, 480 Volt, Branch Breaker (10-100 Amp.)
XPB3-63*	3 Pole, 600 Volt, Branch Breaker (10-100 Amp.)

\*Add the Ampere Rating of the Branch Breaker When Ordering

# CLASS I, DIV 2 • CLASS I, ZONE 2

## Factory Sealed Panelboards Lighting Panel Main Lug Only



### CERTIFICATIONS

Class I, Div. 2, Groups B, C, D  
 Class II, Div. 2, Groups F & G  
 Class III  
 Class I, Zone 2, IIB+H<sub>2</sub>  
 Type 4X & 13



# CLASS I, DIV 2 • CLASS I, ZONE 2

## DIMENSIONAL OUTLINE

Catalog #	A	B	C	D	E	F	G
X2PB1-121-L1_	43.10	22.25	16.25	12.03	14.13	15.75	0.5
X2PB1-241-L1_	49.10	28.25	16.25	12.54	18.38	15.75	0.63
X2PB1-241-L2_	61.10	40.25	16.25	13.38	29.00	15.75	0.68
X2PB1-301-L2_	61.10	40.25	16.25	13.38	29.00	15.75	0.68
X2PB1-361-L2_	61.10	40.25	16.25	13.38	29.00	15.75	0.68
X2PB1-421-L2_	61.10	40.25	16.25	13.38	29.00	15.75	0.68
X2PB1-123-L1_	43.10	22.25	16.25	12.03	14.13	15.75	0.50
X2PB1-243-L1_	49.10	40.25	16.25	13.38	29.00	15.75	0.68
X2PB1-243-L2_	61.10	40.25	16.25	13.38	29.00	15.75	0.68
X2PB1-303-L2_	61.10	40.25	16.25	13.38	29.00	15.75	0.68
X2PB1-363-L2_	61.10	40.25	16.25	13.38	29.00	15.75	0.68
X2PB1-423-L2_	61.10	50.25	16.25	13.38	39.00	15.75	0.68
X2PB2-123-L1_	43.10	22.25	16.25	12.03	14.13	15.75	0.50
X2PB2-243-L1_	49.10	28.25	16.25	12.54	18.38	15.75	0.63
X2PB2-243-L2_	61.10	40.25	16.25	13.38	29.00	15.75	0.68
X2PB2-303-L2_	61.10	40.25	16.25	13.38	29.00	15.75	0.68
X2PB2-363-L2_	61.10	40.25	16.25	13.38	29.00	15.75	0.68
X2PB2-423-L2_	61.10	40.25	16.25	13.38	29.00	15.75	0.68
X2PB1-121G-L1	43.10	22.25	16.25	12.03	14.13	15.75	0.50
X2PB1-241G-L1	49.10	28.25	16.25	12.54	18.38	15.75	0.63
X2PB1-241G-L2	61.10	40.25	16.25	13.38	29.00	15.75	0.68
X2PB1-301G-L2	61.10	40.25	16.25	13.38	29.00	15.75	0.68
X2PB1-361G-L2	61.10	40.25	16.25	13.38	29.00	15.75	0.68
X2PB1-421G-L2	61.10	40.25	16.25	13.38	29.00	15.75	0.68
X2PB1-123G-L1	43.10	22.25	16.25	12.03	14.13	15.75	0.5
X2PB1-243G-L1	49.10	28.25	16.25	12.54	18.38	15.75	0.63
X2PB1-243G-L2	61.10	40.25	16.25	13.38	29.00	15.75	0.68
X2PB2-303G-L2	61.10	40.25	16.25	13.38	29.00	15.75	0.68
X2PB1-363G-L2	61.10	40.25	16.25	13.38	29.00	15.75	0.68

Panelboards

### NOTES:

1. For Bottom Fed Model add suffix -B
2. For Top Fed Model add suffix -T
3. 10kA Maximum Interrupting Capacity (Sym.)

## LIGHTING PANELS

Catalog #	# Branch Breakers	Eaton Cutler Hammer Pow-R-Line C Panelboards		Chassis Type
		Electrical Rating	Buss Amp	
X2PB1-121-L1_	12	1Ø-3W 120/240V	100	PRL1A
X2PB1-241-L1_	24	1Ø-3W 120/240V	100	PRL1A
X2PB1-241-L2_	24	1Ø-3W 120/240V	225	PRL1A
X2PB1-301-L2_	30	1Ø-3W 120/240V	225	PRL1A
X2PB1-361-L2_	36	1Ø-3W 120/240V	225	PRL1A
X2PB1-421-L2_	42	1Ø-3W 120/240V	225	PRL1A
X2PB1-123-L1_	12	3Ø-4W 120/208V	100	PRL1A
X2PB1-243-L1_	24	3Ø-4W 120/208V	100	PRL1A
X2PB1-243-L2_	24	3Ø-4W 120/208V	225	PRL1A
X2PB1-303-L2_	30	3Ø-4W 120/208V	225	PRL1A
X2PB1-363-L2_	36	3Ø-4W 120/208V	225	PRL1A
X2PB1-423-L2_	42	3Ø-4W 120/208V	225	PRL1A
X2PB2-123-L1_	12	3Ø-4W 277/480V	100	PRL2A
X2PB2-243-L1_	24	3Ø-4W 277/480V	100	PRL2A
X2PB2-243-L2_	24	3Ø-4W 277/480V	225	PRL2A
X2PB2-303-L2_	30	3Ø-4W 277/480V	225	PRL2A
X2PB2-363-L2_	36	3Ø-4W 277/480V	225	PRL2A
X2PB2-423-L2_	42	3Ø-4W 277/480V	225	PRL2A

## LIGHTING PANELS-w/GFI/EPD BRANCH CIRCUIT PROTECTORS

Catalog #	# Branch Brkrs	Max.GFI/EPD Brkrs	Eaton Cutler Hammer Pow-R-Line C Panelboards		Chassis Type
			Electrical Rating	Buss Amp	
X2PB1-121G-L1_	12	12	1Ø-3W 120/240V	100	PRL1A
X2PB1-241G-L1_	24	24	1Ø-3W 120/240V	100	PRL1A
X2PB1-241G-L2_	24	24	1Ø-3W 120/240V	225	PRL1A
X2PB1-301G-L2_	30	19	1Ø-3W 120/240V	225	PRL1A
X2PB1-361G-L2_	36	13	1Ø-3W 120/240V	225	PRL1A
X2PB1-421G-L2_	42	7	1Ø-3W 120/240V	225	PRL1A
X2PB1-123G-L1_	12	12	3Ø-4W 120/208V	100	PRL1A
X2PB1-243G-L1_	24	24	3Ø-4W 120/208V	100	PRL1A
X2PB1-243G-L2_	24	18	3Ø-4W 120/208V	225	PRL1A
X2PB1-303G-L2_	30	12	3Ø-4W 120/208V	225	PRL1A
X2PB1-363G-L2_	36	6	3Ø-4W 120/208V	225	PRL1A

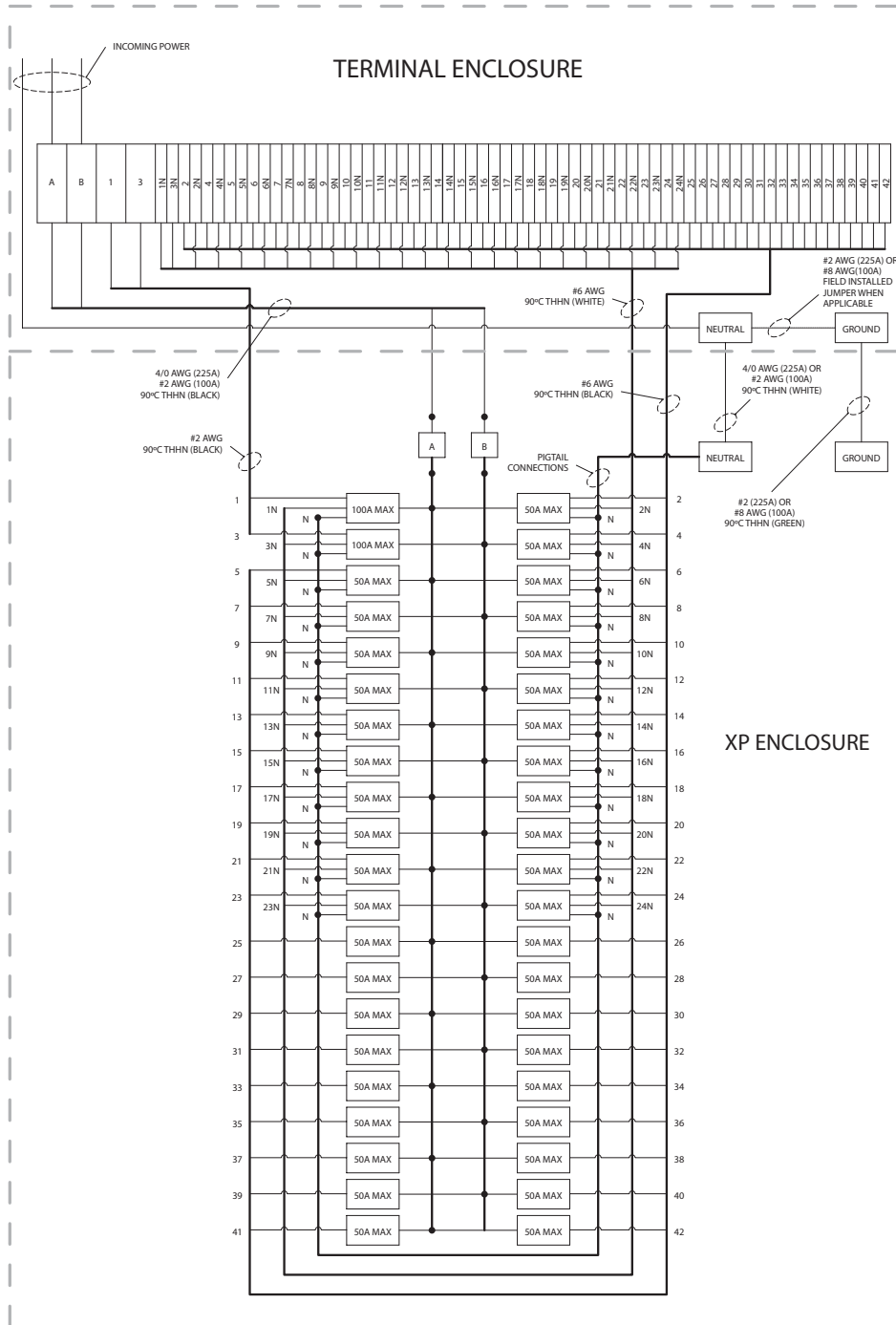
### BRANCH BREAKERS

PRL1A	PRL2A
BAB	
QBGF	GHB
QBGFEP	

# CLASS I, DIV 2 • CLASS I, ZONE 2

## Factory Sealed Panelboards Lighting Panel Main Lug Only

### WIRING DIAGRAM



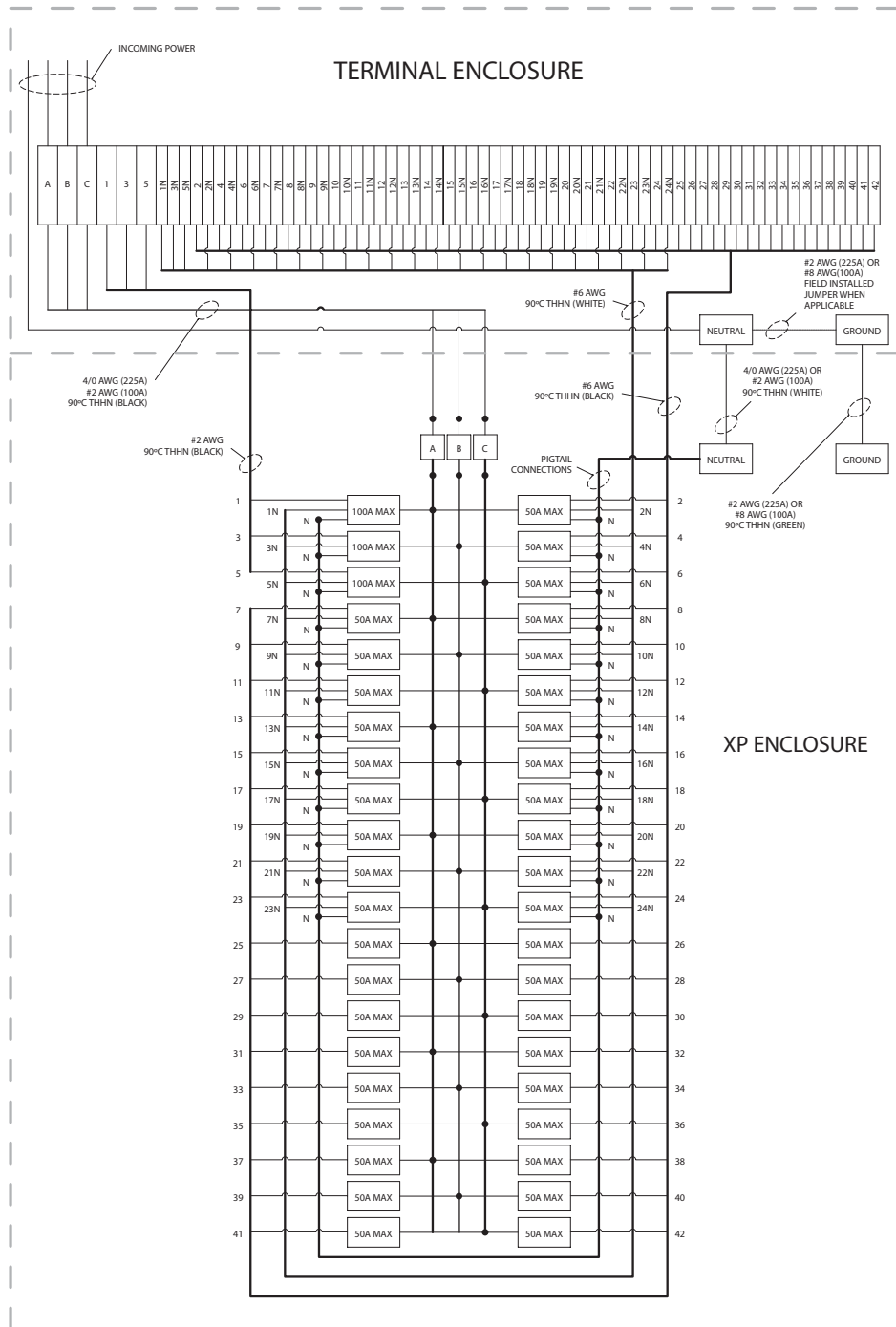
1 PHASE - 3 WIRE



# CLASS I, DIV 2 • CLASS I, ZONE 2

## Factory Sealed Panelboards Lighting Panel Main Lug Only

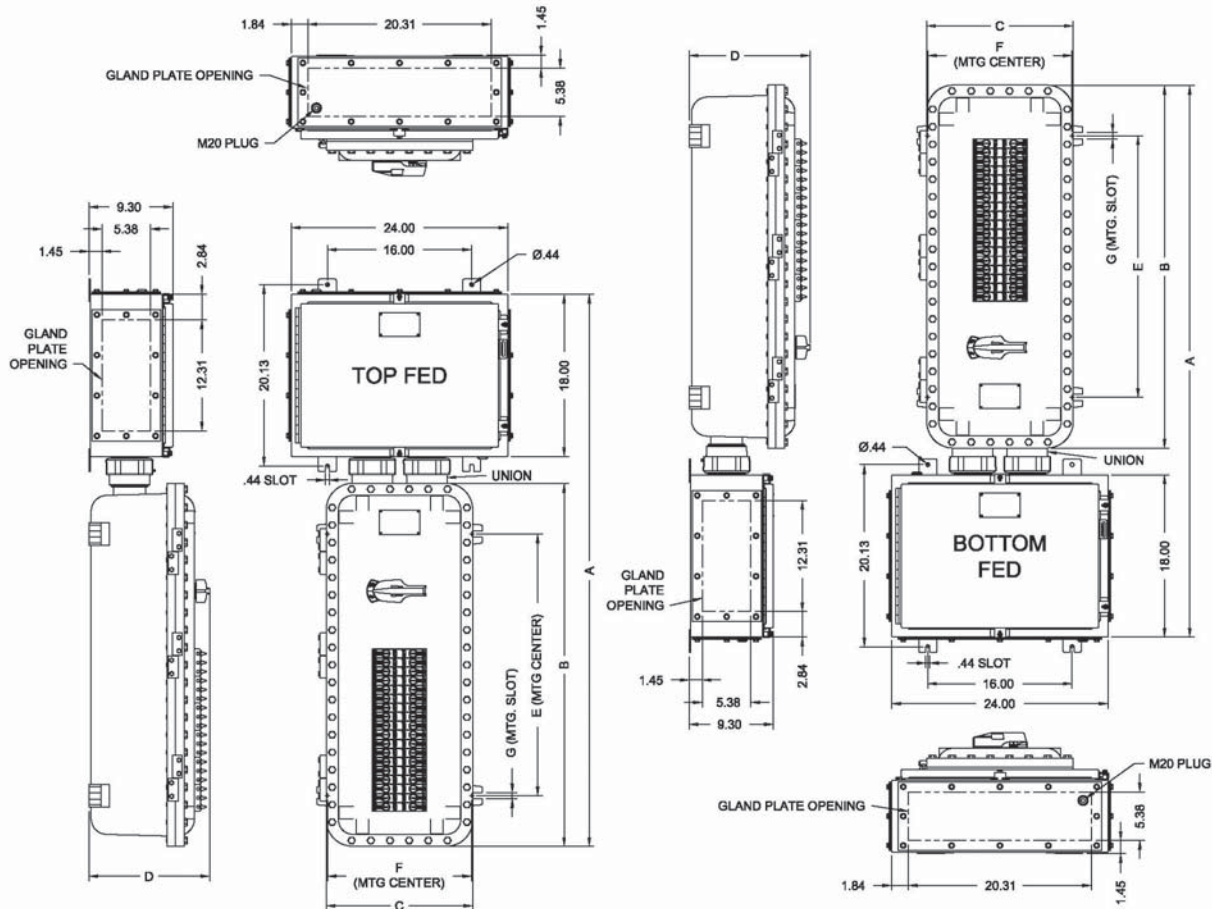
### WIRING DIAGRAM



3 PHASE - 4 WIRE

# CLASS I, DIV 2 • CLASS I, ZONE 2

## Factory Sealed Panelboards Vertical Main Breaker



### CERTIFICATIONS

Class I, Div. 2, Groups B, C, D  
 Class II, Div. 2, Groups F & G  
 Class III  
 Class I, Zone 2, IIB+H<sub>2</sub>  
 Type 4X & 13



# CLASS I, DIV 2 • CLASS I, ZONE 2

## DIMENSIONAL OUTLINE

	Catalog #	A	B	C	D	E	F	G
GFI/EPD Enclosures	X2PB1-121-M1_	49.10	28.25	16.25	12.94	18.38	15.75	0.63
	X2PB1-241-M1_	61.10	40.25	16.25	13.38	29.00	15.75	0.68
	X2PB1-241-M2_	61.10	40.25	16.25	13.38	29.00	15.75	0.68
	X2PB1-361-M2_	71.10	40.25	16.25	13.38	29.00	15.75	0.68
	X2PB1-421-M2_	71.10	50.25	16.25	12.94	39.00	15.75	0.68
	X2PB1-123-M1_	49.10	28.25	16.25	13.38	18.38	15.75	0.63
	X2PB1-243-M1_	61.10	40.25	16.25	13.38	29.00	15.75	0.68
	X2PB1-243-M2_	61.10	40.25	16.25	13.38	29.00	15.75	0.68
	X2PB1-363-M2_	71.10	40.25	16.25	13.38	29.00	15.75	0.68
	X2PB1-423-M2_	71.10	50.25	16.25	13.38	39.00	15.75	0.68
	X2PB2-123-M1_	49.10	28.25	16.25	12.94	18.38	15.75	0.63
	X2PB2-243-M1_	61.10	40.25	16.25	13.38	29.00	15.75	0.68
	X2PB2-243-M2_	61.10	40.25	16.25	13.38	29.00	15.75	0.68
	X2PB2-363-M2_	71.10	40.25	16.25	13.38	29.00	15.75	0.68
	X2PB2-423-M2_	71.10	50.25	16.25	13.38	39.00	15.75	0.68
	X2PB1-121G-M1	49.10	28.25	16.25	12.94	18.38	15.75	0.63
	X2PB1-241G-M1	61.10	40.25	16.25	13.38	29.00	15.75	0.68
	X2PB1-241G-M2	61.10	40.25	16.25	13.38	29.00	15.75	0.68
	X2PB1-361G-M2	71.10	40.25	16.25	13.38	29.00	15.75	0.68
	X2PB1-421G-M2	71.10	50.25	16.25	13.38	39.00	15.75	0.68
	X2PB1-123G-M1	49.10	28.25	16.25	12.94	18.38	15.75	0.63
	X2PB1-243G-M1	61.10	40.25	16.25	13.38	29.00	15.75	0.68
	X2PB1-243G-M2	61.10	40.25	16.25	13.38	29.00	15.75	0.68
	X2PB1-363G-M2	71.10	40.25	16.25	13.38	29.00	15.75	0.6

**NOTES:**

1. For Bottom Fed Model add suffix -B
2. For Top Fed Model add suffix -T
3. 10kA Maximum Interrupting Capacity (Sym.)

Panelboards

## LIGHTING PANELS

Catalog #	# Branch Breakers	Eaton Cutler Hammer Pow-R-Line C Panelboards			Chassis Type
		Electrical Rating	Main Brkr Type	Buss Amp	
X2PB1-121-M1_	12	1Ø-3W 120/240V	EHD2100	100	PRL1A
X2PB1-241-M1_	24	1Ø-3W 120/240V	EHD2100	100	PRL1A
X2PB1-241-M2_	24	1Ø-3W 120/240V	FD2225	225	PRL1A
X2PB1-361-M2_	36	1Ø-3W 120/240V	FD2225	225	PRL1A
X2PB1-421-M2_	42	1Ø-3W 120/240V	FD2225	225	PRL1A
X2PB1-421-M2_	42	1Ø-3W 120/240V	FD2225	225	PRL1A
X2PB1-123-M1_	12	3Ø-4W 120/208V	EHD2100	100	PRL1A
X2PB1-243-M1_	24	3Ø-4W 120/208V	EHD2100	100	PRL1A
X2PB1-243-M2_	24	3Ø-4W 120/208V	FD2225	225	PRL1A
X2PB1-363-M2_	36	3Ø-4W 120/208V	FD2225	225	PRL1A
X2PB1-423-M2_	42	3Ø-4W 120/208V	FD2225	225	PRL1A
X2PB1-423-M2_	42	3Ø-4W 120/208V	FD2225	225	PRL1A
X2PB2-123-M1_	12	3Ø-4W 277/480V	EHD3100	100	PRL2A
X2PB2-243-M1_	24	3Ø-4W 277/480V	EHD3100	100	PRL2A
X2PB2-243-M2_	24	3Ø-4W 277/480V	FD3225	225	PRL2A
X2PB2-363-M2_	36	3Ø-4W 277/480V	FD3225	225	PRL2A
X2PB2-423-M2_	42	3Ø-4W 277/480V	FD3225	225	PRL2A

## LIGHTING PANELS-w/GFI/EPD BRANCH CIRCUIT PROTECTORS

Catalog #	# Branch	Max.GFI/Brkr EPD Brkr	Eaton Cutler Hammer Pow-R-Line C Panelboards			Chassis Buss Amp
			Electrical Rating	Main Brkr Type		
X2PB1-121G-M1_	12	12	1Ø-3W 120/240V	EHD2100	100	PRL1A
X2PB1-241G-M1_	24	24	1Ø-3W 120/240V	EHD2100	100	PRL1A
X2PB1-241G-M2_	24	24	1Ø-3W 120/240V	FD2225	225	PRL1A
X2PB1-361G-M2_	36	13	1Ø-3W 120/240V	FD2225	225	PRL1A
X2PB1-421G-M2_	42	7	1Ø-3W 120/240V	FD2225	225	PRL1A
X2PB1-123G-M1_	12	12	3Ø-4W 120/208V	EHD3100	100	PRL1A
X2PB1-243G-M1_	24	24	3Ø-4W 120/208V	EHD3100	100	PRL1A
X2PB1-243G-M2_	24	18	3Ø-4W 120/208V	FD3225	225	PRL1A
X2PB1-363G-M2_	36	6	3Ø-4W 120/208V	FD3225	225	PRL1A

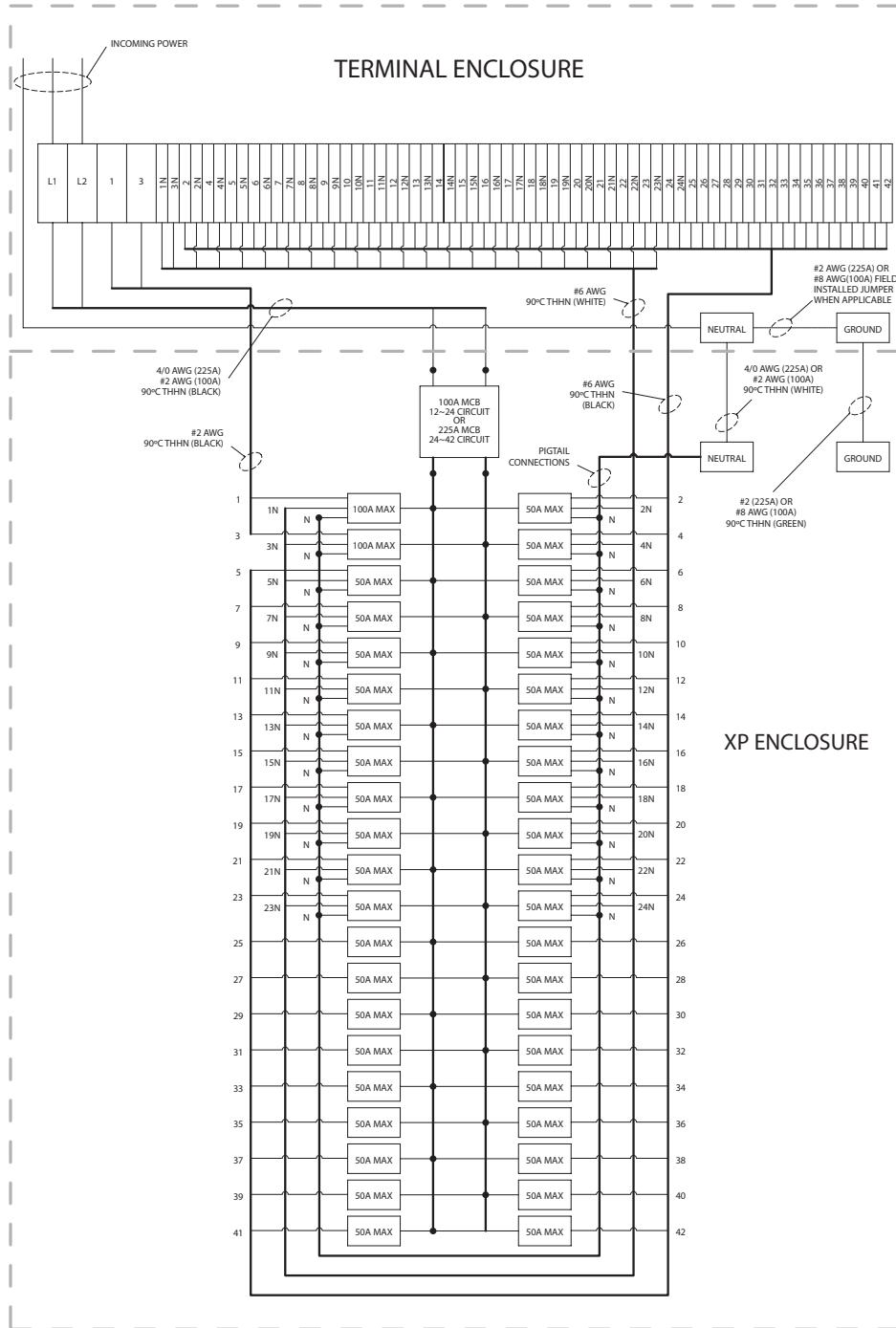
## BRANCH BREAKERS

PRL1A	PRL2A
BAB	
QBGF	GHB
QBGFEP	

# CLASS I, DIV 2 • CLASS I, ZONE 2

## Factory Sealed Panelboards Vertical Main Breaker

### WIRING DIAGRAM

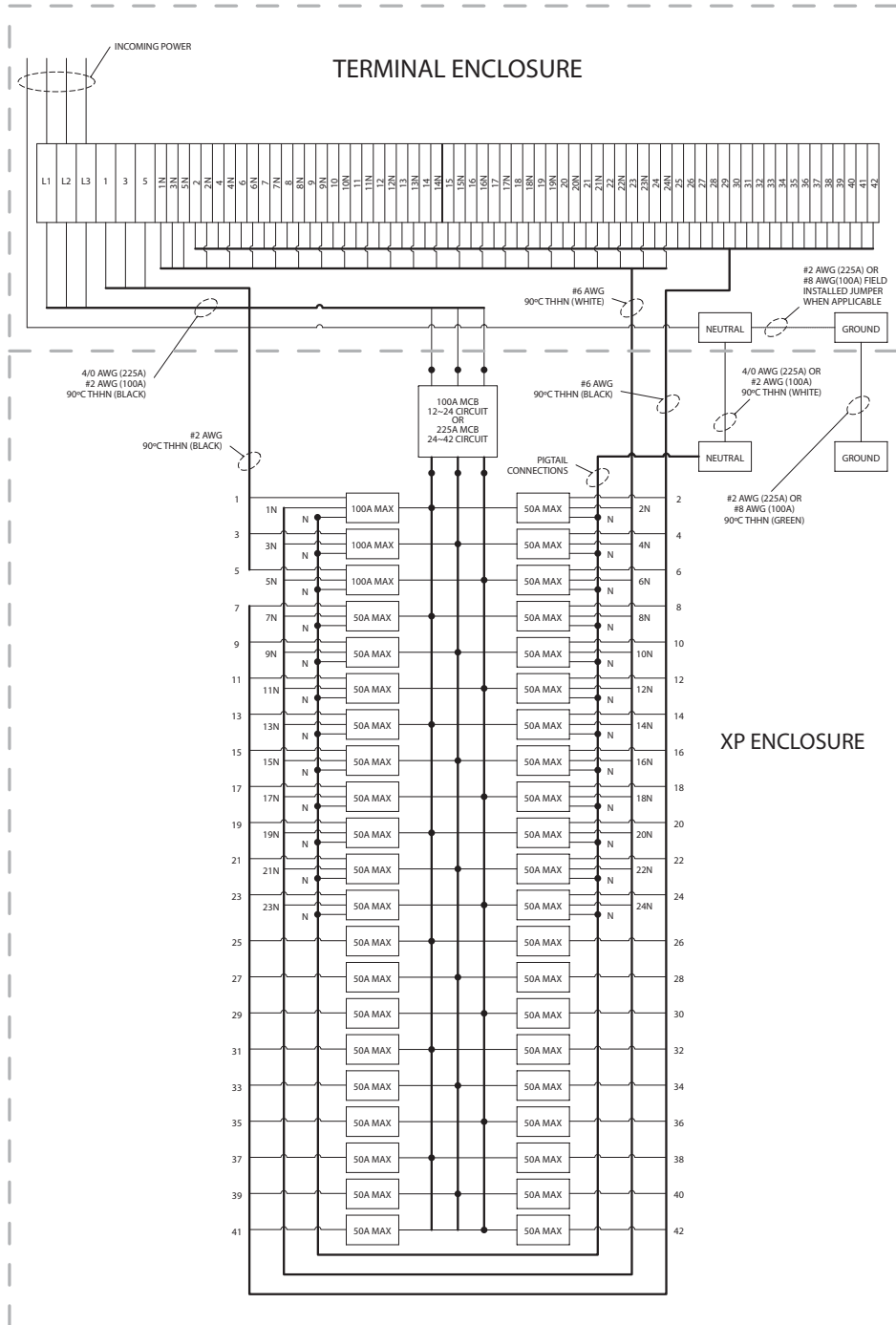


Panelboards

# CLASS I, DIV 2 • CLASS I, ZONE 2

## Factory Sealed Panelboards Vertical Main Breaker

### WIRING DIAGRAM

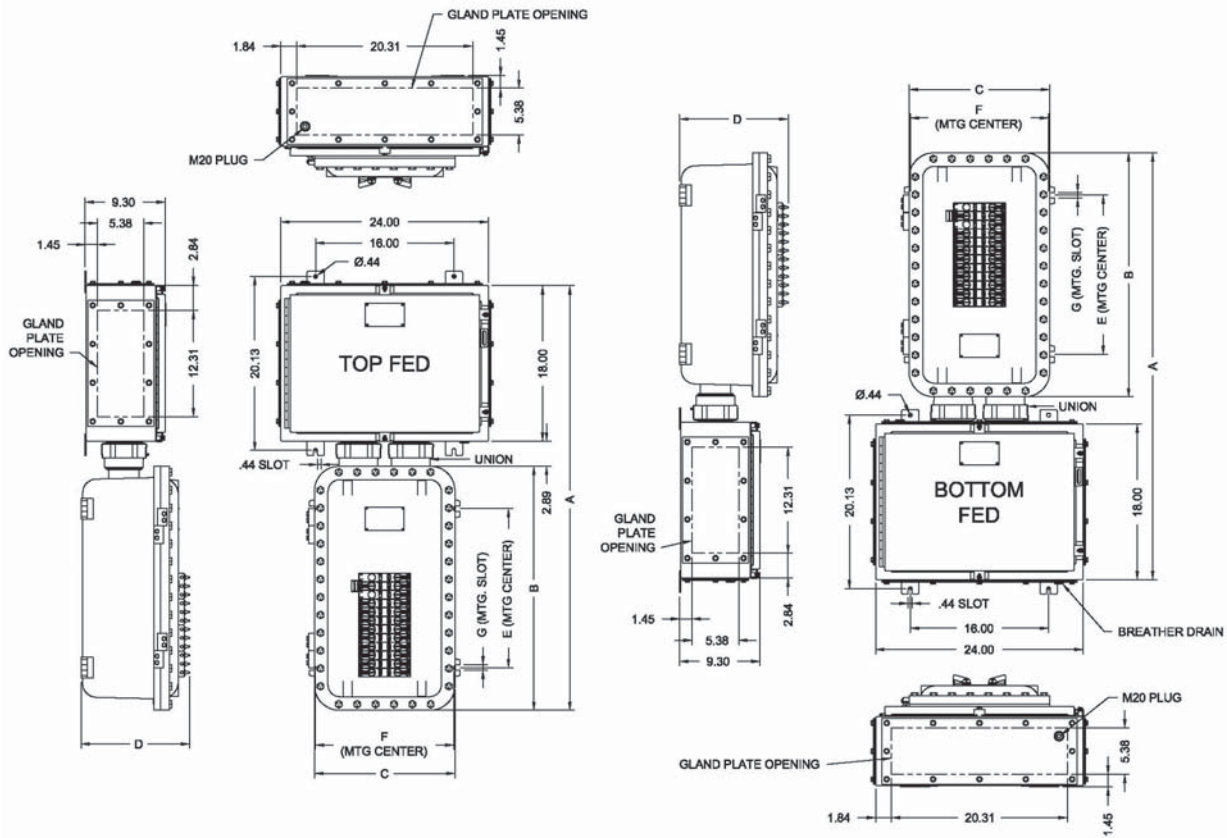


3 PHASE - 4 WIRE

Panelboards

# CLASS I, DIV 2 • CLASS I, ZONE 2

## Factory Sealed Panelboards Back Fed Main Breaker



Panelboards

### CERTIFICATIONS

#### Panelboard Enclosure

- Class I, Div. 2, Groups B, C, D
- Class II, Div. 2, Groups F & G
- Class III
- Class I, Zone 2, IIB+H<sub>2</sub>
- Type 4X & 13



# CLASS I, DIV 2 • CLASS I, ZONE 2

## DIMENSIONAL OUTLINE

Catalog #	A	B	C	D	E	F	G
X2PB1-121-B1	43.10	22.25	16.25	12.03	14.13	15.75	0.50
X2PB1-181-B1	49.10	28.25	16.25	12.54	18.38	15.75	0.63
X2PB1-241-B1	49.10	28.25	16.25	12.54	18.38	15.75	0.63
X2PB1-123-B1	43.10	22.25	16.25	12.03	14.13	15.75	0.50
X2PB1-183-B1	49.10	28.25	16.25	12.54	18.38	15.75	0.63
X2PB1-243-B1	49.10	28.25	16.25	12.54	18.38	15.75	0.63
X2PB2-123-B1	43.10	22.25	16.25	12.03	14.13	15.75	0.50
X2PB2-183-B1	49.10	28.25	16.25	12.54	18.38	15.75	0.63
X2PB2-243-B1	49.10	28.25	16.25	12.54	18.38	15.75	0.63
<b>GFI/EPD Encl.</b> X2PB1-121G-B1	43.10	22.25	16.25	12.03	14.13	15.75	0.50
X2PB1-181G-B1	49.10	28.25	16.25	12.54	18.38	15.75	0.63
X2PB1-241G-B1	49.10	28.25	16.25	12.54	18.38	15.75	0.63
X2PB1-123G-B1	43.10	22.25	16.25	12.03	14.13	15.75	0.50
X2PB1-183G-B1	49.10	28.25	16.25	12.54	18.38	15.75	0.63
X2PB1-243G-B1	49.10	28.25	16.25	12.54	18.38	15.75	0.63

## LIGHTING PANELS

Catalog #	# Branch Breakers	Eaton Cutler Hammer Pow-R-Line C Panelboards			Chassis Type
		Electrical Rating	Main Brkr Type	Buss Amp	
X2PB1-121-B1_	10	1Ø-3W 120/240V	BAB2100	100	PRL1A
X2PB1-181-B1_	16	1Ø-3W 120/240V	BAB2100	100	PRL1A
X2PB1-241-B2_	22	1Ø-3W 120/240V	BAB2100	100	PRL1A
X2PB1-123-B1_	9	3Ø-4W 120/208V	BAB3100H	100	PRL1A
X2PB1-183-B1_	15	3Ø-4W 120/208V	BAB3100H	100	PRL1A
X2PB1-243-B2_	21	3Ø-4W 120/208V	BAB3100H	100	PRL1A
X2PB2-123-B1_	9	3Ø-4W 277/480V	GHB3100	100	PRL2A
X2PB2-183-B1_	15	3Ø-4W 277/480V	GHB3100	100	PRL2A
X2PB2-243-B2_	21	3Ø-4W 277/480V	GHB3100	100	PRL2A

## LIGHTING PANELS-w/GFI/EPD BRANCH CIRCUIT PROTECTORS

Catalog #	# Branch	Max.GFI/ Brkr's EPD Brkr's	Eaton Cutler Hammer Pow-R-Line C Panelboards			Chassis Buss Amp
			Electrical Rating	Main Brkr Type	Buss Amp	
X2PB1-121G-B1_	10	10	1Ø-3W 120/240V	BAB2100	100	PRL1A
X2PB1-181G-B1_	16	16	1Ø-3W 120/240V	BAB2100	100	PRL1A
X2PB1-241G-B2_	22	22	1Ø-3W 120/240V	BAB2100	100	PRL1A
X2PB1-123G-B1_	9	9	3Ø-4W 120/208V	BAB3100H	100	PRL1A
X2PB1-183G-B1_	15	15	3Ø-4W 120/208V	BAB3100H	100	PRL1A
X2PB1-243G-B2_	21	21	3Ø-4W 120/208V	BAB3100H	100	PRL1A

## BRANCH BREAKERS

PRL1A	PRL2A
BAB	
QBGF	GHB
QBGFEP	

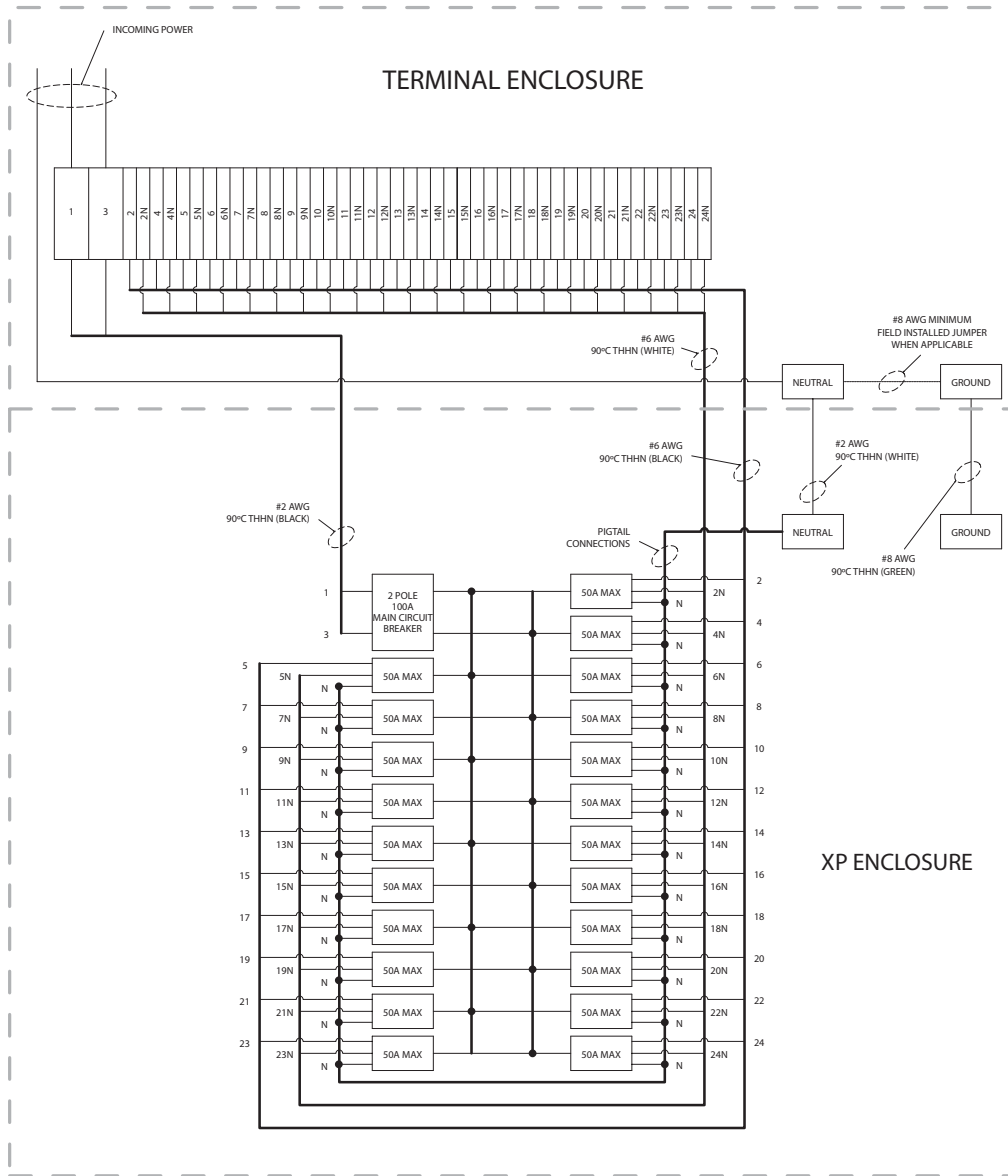
### NOTES:

1. For Bottom Fed Model add suffix -B
2. For Top Fed Model add suffix -T
3. 10kA Maximum Interrupting Capacity (Sym.)

# CLASS I, DIV 2 • CLASS I, ZONE 2

## Factory Sealed Panelboards Back Fed Main Breaker

### WIRING DIAGRAM



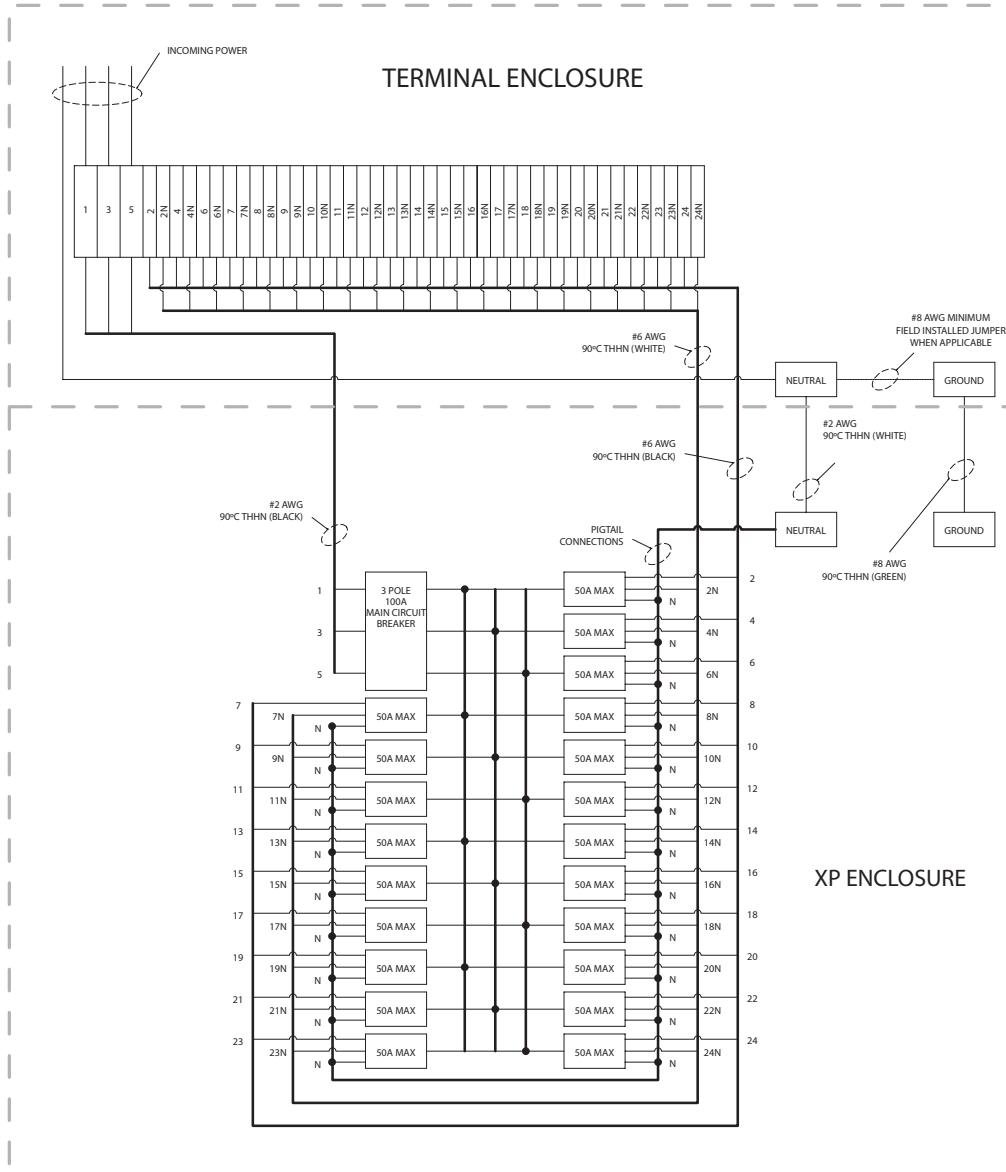
1 PHASE - 3 WIRE



# CLASS I, DIV 2 • CLASS I, ZONE 2

## Factory Sealed Panelboards Back Fed Main Breaker

### WIRING DIAGRAM

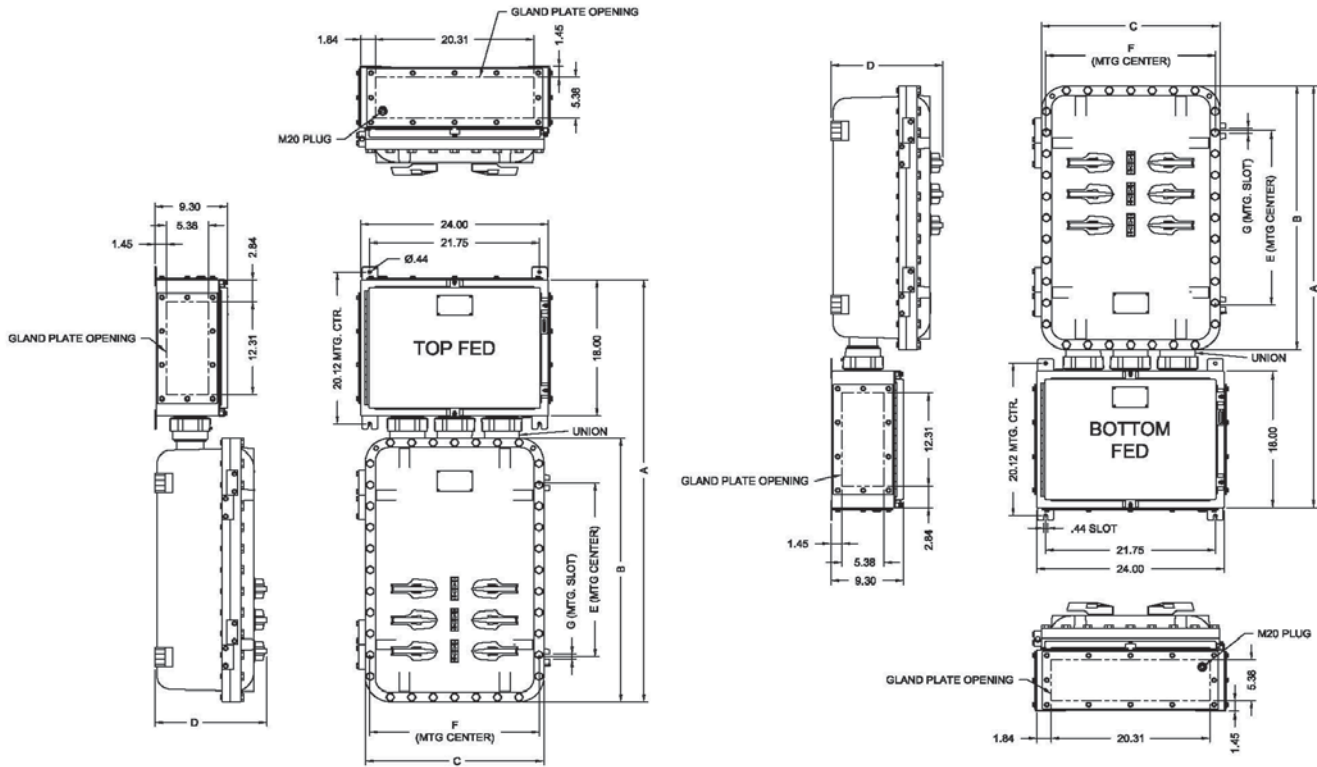


3 PHASE - 4 WIRE

# CLASS I, DIV 2 • CLASS I, ZONE 2

## Factory Sealed Panelboards Power Panel Main Lug Only

Panelboards



### CERTIFICATIONS

Class I, Div. 2, Groups B, C, D  
 Class II, Div. 2, Groups F & G  
 Class III  
 Class I, Zone 2, IIB+H<sub>2</sub>  
 Type 4X & 13  
 IP66



## CLASS I, DIV 2 • CLASS I, ZONE 2

## DIMENSIONAL OUTLINE

Catalog #	A	B	C	D	E	F	G
X2PB3-4_	49.80	28.88	22.88	14.46	18.38	21.75	0.69
X2PB3-6_	55.80	34.88	22.88	14.35	23.00	21.75	0.69
X2PB3-8_	55.80	34.88	22.88	14.35	23.00	21.75	0.69
X2PB3-10_	61.80	40.88	22.88	14.54	29.00	21.75	0.69

## POWER PANELS

Catalog #	Eaton Cutler Hammer Pow-R-Line C Panelboards			
	# 3-Pole Branch Brkrs	Electrical Rating	Buss Amp	Chassis Type
X2PB3-434-L2_	4	3Ø-3W 480V	225	PRL3A
X2PB3-634-L2_	6	3Ø-3W 480V	225	PRL3A
X2PB3-834-L2_	8	3Ø-3W 480V	225	PRL3A
X2PB3-1034-L2_	10	3Ø-3W 480V	225	PRL3A
X2PB3-444-L2_	4	3Ø-3W 480V	225	PRL3A
X2PB3-644-L2_	6	3Ø-4W 480V	225	PRL3A
X2PB3-844-L2_	8	3Ø-4W 480V	225	PRL3A
X2PB3-1044-L2_	10	3Ø-4W 480V	225	PRL3A
X2PB3-436-L2_	4	3Ø-3W 600V	225	PRL3A
X2PB3-636-L2_	6	3Ø-3W 600V	225	PRL3A
X2PB3-836-L2_	8	3Ø-3W 600V	225	PRL3A
X2PB3-1036-L2_	10	3Ø-3W 600V	225	PRL3A
X2PB3-446-L2_	4	3Ø-4W 600V	225	PRL3A
X2PB3-646-L2_	6	3Ø-4W 600V	225	PRL3A
X2PB3-846-L2_	8	3Ø-4W 600V	225	PRL3A
X2PB3-1046-L2_	10	3Ø-4W 600V	225	PRL3A

## BRANCH BREAKERS

Volts	Type
480	EHD
600	FDB

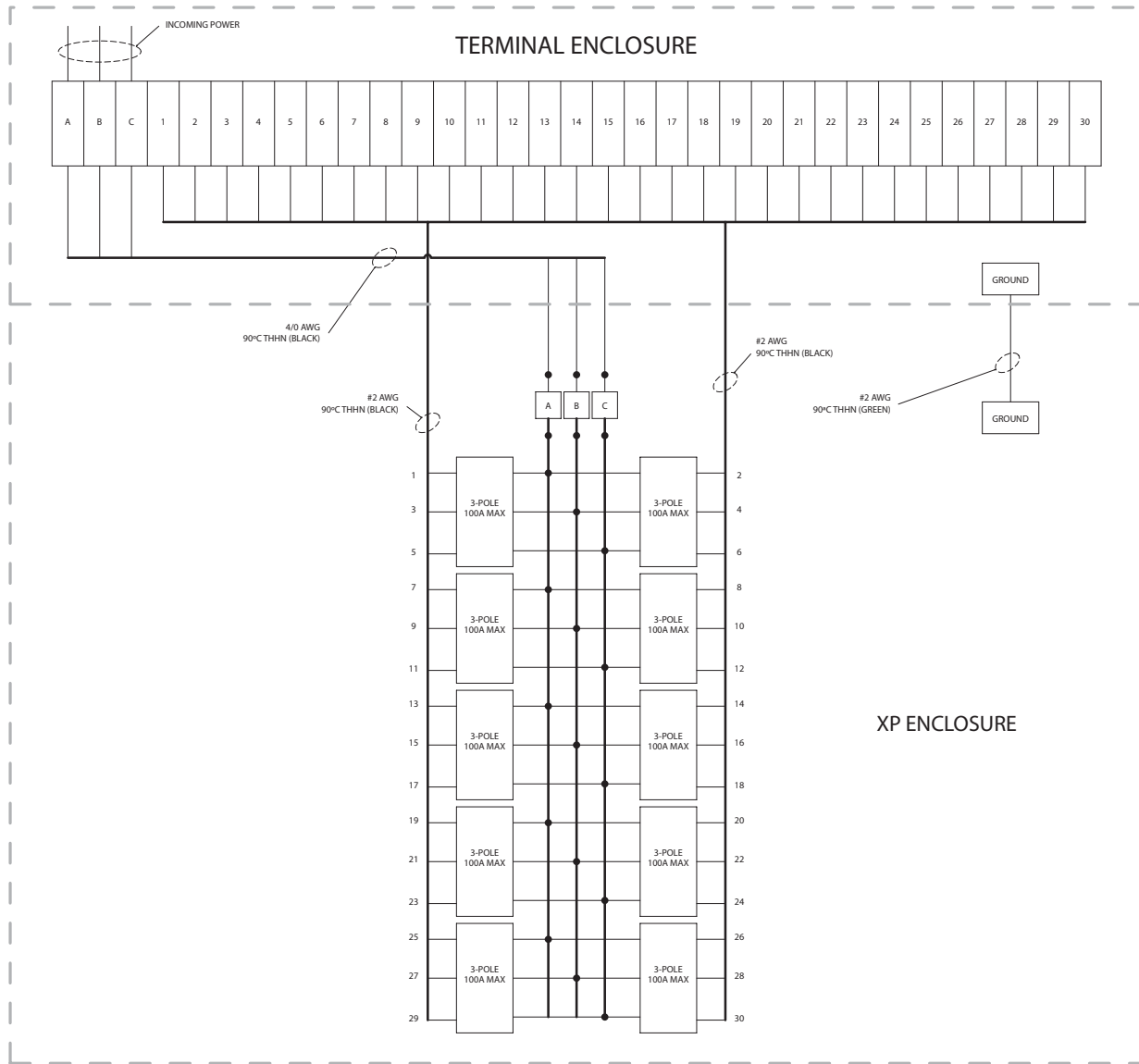
## NOTES:

1. For Bottom Fed Model add suffix -B
2. For Top Fed Model add suffix -T
3. 10kA Maximum Interrupting Capacity (Sym.)

# CLASS I, DIV 2 • CLASS I, ZONE 2

## Factory Sealed Panelboards Power Panel Main Lug Only

### WIRING DIAGRAM

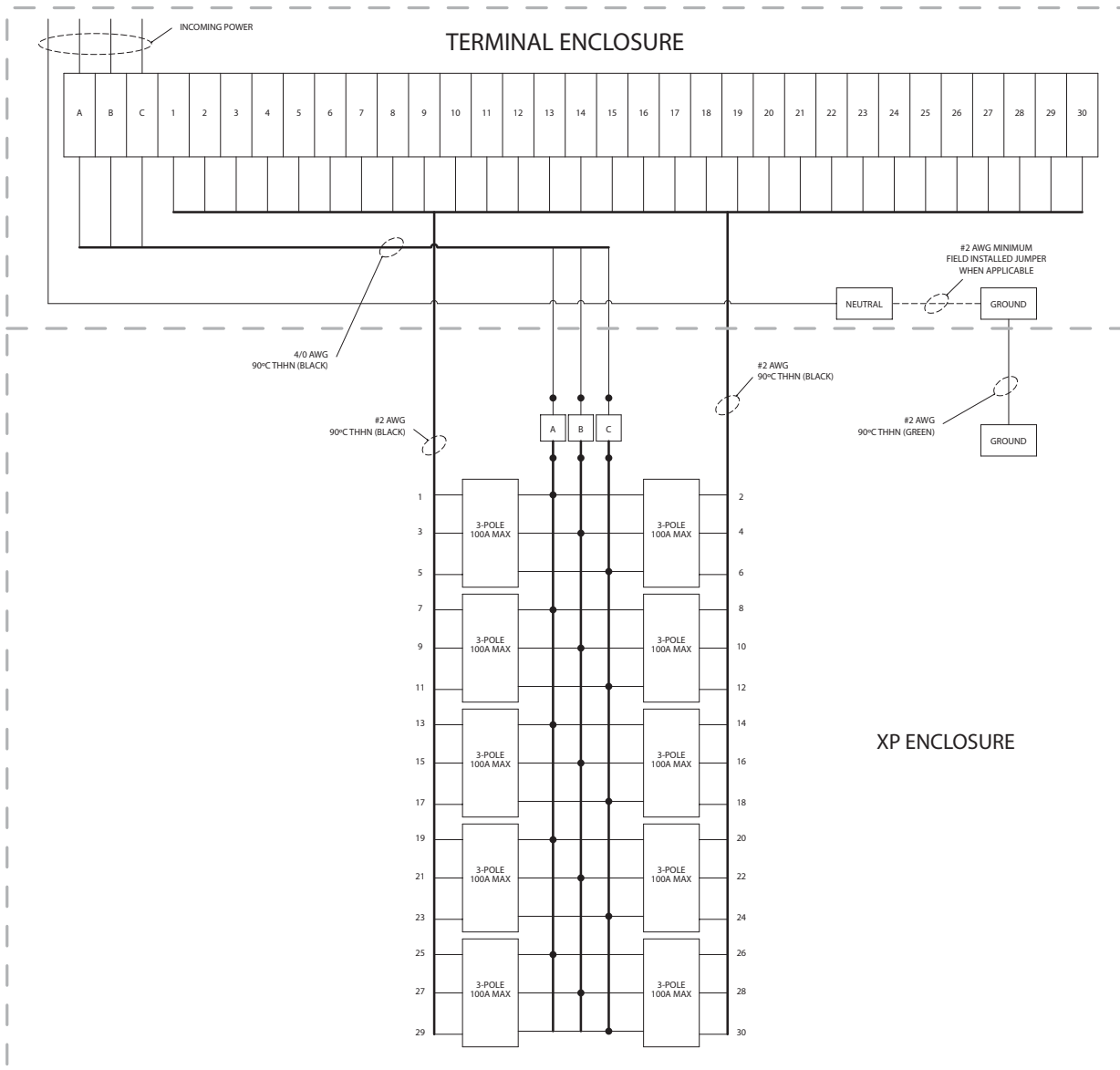


3 PHASE - 3 WIRE

# CLASS I, DIV 2 • CLASS I, ZONE 2

## Factory Sealed Panelboards Power Panel Main Lug Only

### WIRING DIAGRAM



3 PHASE - 4 WIRE

Panelboards

# PANELBOARDS

## Lighting & Power Distribution Panelboards XPB1

The design offers sufficient gutter space on sides to allow through wiring and easy lug connection. All enclosures are furnished with hinges, stainless steel quad lead cover bolts and are provided with Nema 4 gasketing. All covers are removable for clear access to breakers and gutter space. The compact design of rectangular housings permits close grouping on switch racks and other structures. No additional space is required for cover removal except from the front.

### **STANDARD FEATURES**

#### ENCLOSURE

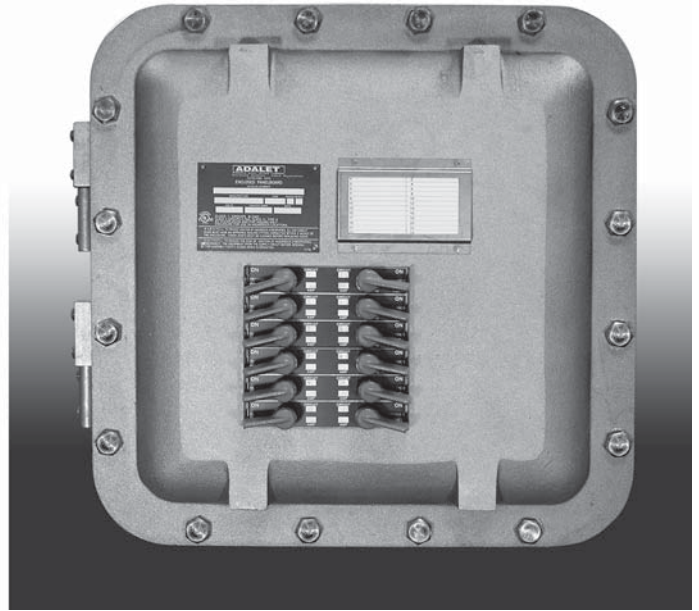
- Copper-free cast aluminum alloy
- Housings are Adalet XCE series and have precision ground cover and body joints.

#### MECHANICAL

- Front mounted power panel and lighting panel branch breaker handles can be padlocked either in "off" or "on" position
- All breaker handles are spring loaded allowing closing of the cover with breaker toggle in any position
- Operating handle shafts have "V" ring gaskets for watertight application

#### ELECTRICAL

- In general, Adalet lighting and power distribution panels are designed with Cutler Hammer chassis copper buss with ground and isolated neutral bars.
- All branch breakers and operating handles are "optional adders".

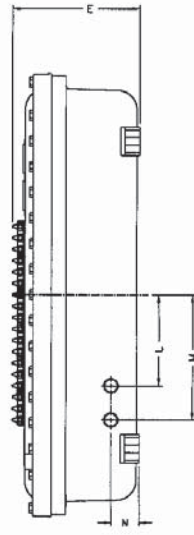
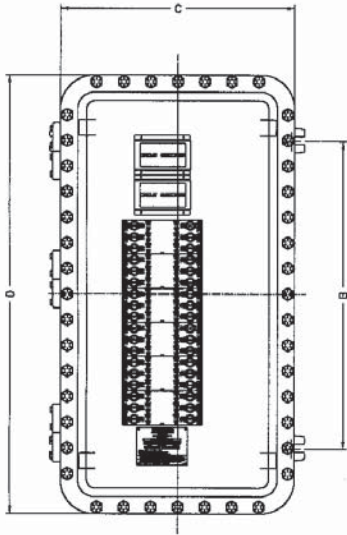
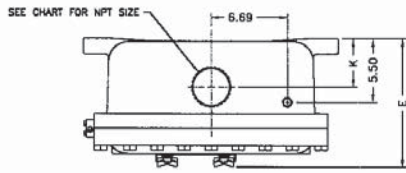


### **CERTIFICATIONS**

Class I, Groups B,C,D  
 Class II, Groups E,F,G  
 Class III  
 TYPE 4, 4X (w/SS cover bolts)(w/N4 suffix)  
 UL 1203  
 CSA C22.2 No. 25 & 30  
 UL 50



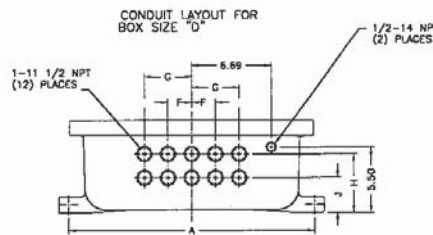
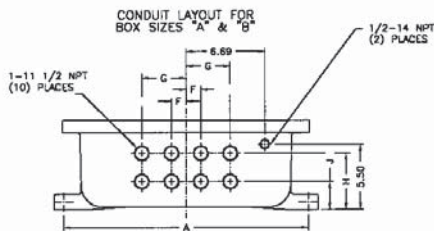
# PANELBOARDS



Right side only

## CONDUIT ENTRIES

Box Size	Conduit Entries (NPT)			
	1/2"	1"	2"	3"
A	Top	(1)	—	(1)
	Side	—	(2)	—
	Bottom	(1)	(8)	—
B	Top	(1)	—	(1)
	Side	—	(2)	—
	Bottom	(1)	(8)	—
D	Top	(1)	—	(1)
	Side	—	(2)	—
	Bottom	(1)	(10)	—



## NOMINAL DIMENSIONS

Box Size	Box Inside Dimensions			Mtg. Width (A)	Mtg. Height (B)	Overall Cover (C)	Overall Hole (D)	Overall Each (E)	Mtg. Bolt Size
	W	L	D						
A	16	16	6	19 3/4	11	20 7/8	20 7/8	11	5/8
B	16	24	6	19 3/4	18 3/8	20 7/8	28 7/8	11 1/2	5/8
D	16	34	6	19 3/4	27	20 1/2	38 1/2	10 3/4	5/8

## NOMINAL DIMENSIONS

Box Size	F	G	H	J	K	L	M	N	Weight (lbs.)
A	1 1/4	3 3/4	4 3/4	2 3/8	3 5/8	1	3 1/2	2 1/2	160
B	1 1/4	3 3/4	4 3/4	2 3/8	3 5/8	3	5	2 1/2	220
D	2	4	4 15/16	2 15/16	4 3/16	8	11	2 1/2	285

EXPLOSIONPROOF  
Panelboards

# PANELBOARDS

## Lighting Panelboards

### STANDARD FEATURES

- Explosionproof circuit breaker lighting panelboards use cast aluminum alloy housings with hinged cover
- External operating handles can be padlocked in "on" or "off" position
- Incorporates Cutler-Hammer bolt-on breakers @ 240 volt max.
- Top feed standard

### BACK FED MAIN BREAKER PANELBOARDS

120/240 Volt, 1 phase 3 wire, solid neutral, Chassis without branch breakers or operating handles, 10,000 Ampere interrupting capacity (sym.).

BACK FED MAIN BREAKER PANELBOARDS			
Number of Available Poles	Catalog Number	Main Breaker Included	Box Size
10	XPB1-121 B1	100 Amp	A
22	XPB1-241 B1	100 Amp	B

### BACK FED MAIN BREAKER PANELBOARDS

120/208 Volt, 3 phase 4 wire, solid neutral, Chassis without branch breakers or operating handles, 10,000 Ampere interrupting capacity (sym.).

BACK FED MAIN BREAKER PANELBOARDS			
Number of Available Poles	Catalog Number	Main Breaker Included	Box Size
9	XPB1-123 B1	100 Amp	A
21	XPB1-243 B1	100 Amp	B

### MAIN LUG ONLY PANELBOARDS

1 Phase 3 wire 120/240 volt top feed main lug only, Chassis without branch breakers or operating handles, 10,000 Ampere interrupting capacity (sym.).

MAIN LUG ONLY PANELBOARDS			
Number of Poles	Catalog Number	Main Lug Amperes	Box Size
12	XPB1-121L1	100	A
24	XPB1-241L1	100	B
24	XPB1-241L2	225	B
30	XPB1-301L2	225	D
36	XPB1-361L2	225	D

### MAIN LUG ONLY PANELBOARDS

3 Phase 4 wire 120/208 volt top feed main lug only, Chassis without branch breakers or operating handles, 10,000 Ampere interrupting capacity (sym.).

MAIN LUG ONLY PANELBOARDS			
Number of Poles	Catalog Number	Main Lug Amperes	Box Size
12	XPB1-123L1	100	A
24	XPB1-243L1	100	B
24	XPB1-243L2	225	B
30	XPB1-303L2	225	D
36	XPB1-363L2	225	D

### HOW TO ORDER

1. Specify catalog number and voltage.
2. Number of operator handles, single pole, two pole and three pole as required.
3. Circuit breakers, number of poles and ampere rating.
4. Unused spaces will be plugged. Top feed standard.



## Modifications and Options

# Circuit Breaker Operator Handles

• Installed in XPB1 panel boards

### Optional Features - Modifications:

Suffix Letter	Description
E	Breather Drain (not type 4)
EE	Breather and drain (not type 4)
L1	Epoxy Coating Outside
L2	Epoxy Coating Inside/Outside

Catalog #	Operator Description	Weight (lbs.)
XPB1-H1	For single pole BAB breakers	¼ lb.
XPB1-H2	For two pole BAB breakers	¼ lb.
XPB1-H3	For three pole BAB breakers	¼ lb.
XPB1-GL	For single pole GFI breaker left	¼ lb.
XPB1-GR	For single pole GFI breaker right	¼ lb.
XPB1-GR2	For two pole GFI breaker right	¼ lb.
XPB1-GL2	For two pole GFI breaker left	¼ lb.

# Branch Circuit Breakers

• Installed in XPB1 panel boards

• Bolt-on thermal magnetic breakers 120/240 volt 10,000 ampere I.C.

Catalog #	Operator Description
XPB1-1*	1 pole breaker (available in 10-70 amp)
XPB1-2*	2 pole breaker (available in 10-100 amp)
XPB1-3*	3 pole breaker (available in 10-100 amp)

\*Add ampere rating of the branch breaker when ordering.

# Ground Fault Circuit Protectors

• 120/240 Volt 10,000 Ampere I.C. Std., 22,000 Ampere I.C. Optional

• Available with special application Bell Alarm or Auxiliary Switch.

Catalog #	Operator Description
XPB1-1GFCl*	1 pole GFCI Breaker 5 MA Sensitivity
XPB1-2GFCl*	2 pole GFCI Breaker 5 MA Sensitivity
XPB1-1GFEPD*	1 pole GFCI Breaker 30 MA Sensitivity
XPB1-2GFEPD*	2 pole GFCI Breaker 30 MA Sensitivity

\*Add ampere rating of the branch breaker when ordering

# Bolt-On Switching Neutral Breakers

• 120/240 Volt 10,000 Ampere I.C.

Catalog #	Operator Description
XPB1-N1*	1 pole switching to neutral. Requires two spaces (available in 15-30 amp)
XPB1-N2*	2 pole switching to neutral. Requires three spaces (available in 15-30 amp)

\*Add ampere rating of the branch breaker when ordering

# PANELBOARDS

## Power Distribution Panelboards

### STANDARD FEATURES

- Explosionproof circuit breaker power panelboards use cast aluminum alloy housings with hinged cover
- External operating handles can be padlocked in "on" or "off" positions
- Incorporates Cutler-Hammer bolt-on breakers @ 480 volt max.
- Top feed standard

### CERTIFICATIONS

Class I, Groups B,C,D  
 Class II, Groups E,F,G  
 Class III  
 TYPE 4, 7, 9  
 UL 1203  
 CSA C22.2 No. 25 & 30  
 UL 50

### BACK FED MAIN BREAKER PANELBOARDS

277/480 Volt, 3 phase 4 wire, solid neutral, Chassis without branch breakers or operating handles, 10,000 Ampere interrupting capacity (sym.).

BACK FED MAIN BREAKER PANELBOARDS			
Number of Available Poles	Catalog Number	Main Breaker Included	Box Size
9	XPB2-123B1	100 Amp	A
21	XPB2-243B1	100 Amp	B

### HOW TO ORDER

1. Specify catalog number and voltage.
2. Number of operator handles, single pole, two pole and three pole as required.
3. Circuit breakers, number of poles and ampere rating.
4. Unused spaces will be plugged. Top feed standard.

### MAIN LUG ONLY PANELBOARDS

277/480 Volt, 3 phase 4 wire, Chassis without branch breakers or operating handles, 10,000 Amperes interrupting capacity (sym.).

MAIN LUG ONLY PANELBOARDS			
Number of Poles	Catalog Number	Main Lug Amperes	Box Size
12	XPB2-123L1	100	A
24	XPB2-243L1	100	B
24	XPB2-243L2	225	B
30	XPB2-303L2	225	D
36	XPB2-363L2	225	D

### HOW TO ORDER

1. Specify catalog number, operator handles and circuit breakers as separate items.
2. Single pole breakers use 1 handle space, 1 handle. 2 pole, 2 spaces, 1 handle. 3 pole, 3 spaces, 1 handle.
3. 100 ampere main lugs conductor size #12 -1/0 CU/AL. 225 ampere main lugs conductor size #6-300 MCM CU/AL.
4. Unused spaces will be plugged. Top feed standard.



## Modifications and Options

# Circuit Breaker Operator Handles

• Installed in XPB2 panel boards

### Optional Features - Modifications:

Suffix Letter	Description
E	Breather Drain (not type 4)
EE	Breather and drain (not type 4)
L1	Epoxy Coating Outside
L2	Epoxy Coating Inside/Outside

Catalog #	Operator Description	Weight (lbs.)
XPB2-H1	For 1, 2 or 3-pole GHB breaker	¼ lb.

# Branch Circuit Breakers

• Installed in XPB2 panel boards

• Bolt-on thermal magnetic breakers

Catalog #	Operator Description
XPB2-1*	1 pole GHB breaker (available in 15-100 amp) 277 volt A.C.
XPB2-2*	2 pole GHB breaker (available in 15-100 amp) 480 volt A.C.
XPB2-3*	3 pole GHB breaker (available in 15-100 amp) 480 volt A.C.

\*Add ampere rating of the branch breaker when ordering.

# PANELBOARDS

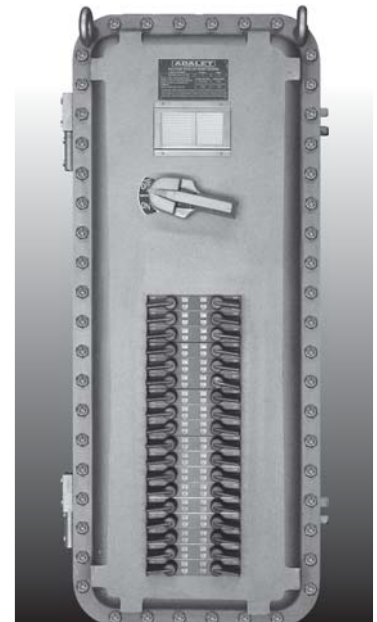
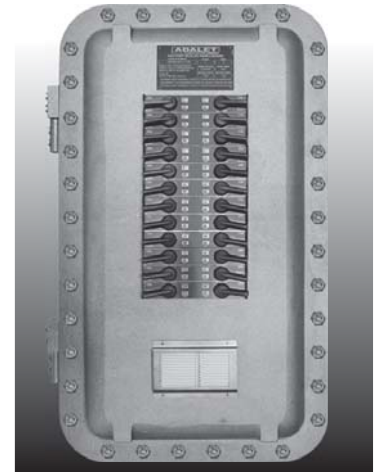
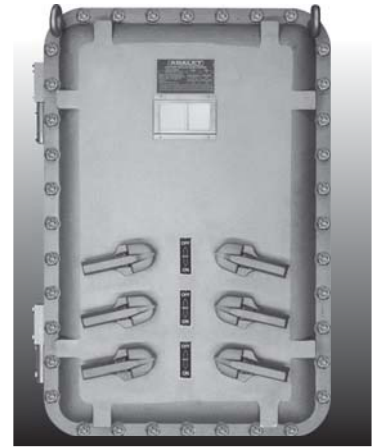
## Division 1 Explosionproof Panelboards

Designed for use in Class 1, Division 1 Zone 1 areas such as petroleum refineries, chemical or petrochemical facilities, the X1PB panelboards are used to control lighting & appliance, power circuits & power distribution in applications requiring branch power distribution, over current, and short circuit protection.

All X1PB panelboards are equipped with Eaton Pow-R-Line chassis with copper bus, isolated neutral and ground bar. Branch breakers and handles are sold separately. Gasketed covers provide IP66 and NEMA 4/4X rated protection for a water tight seal, and stainless steel cover bolts, removeable hinges, and breather/drain are included as standard features.

### **STANDARD FEATURES**

- Copper-free cast aluminum alloy with tumblast finish casting
- Stainless steel cover bolts
- Nitrile O-Ring cover gasket
- Copper-free cast aluminum alloy with stainless steel shafts breaker handles
- Extruded aluminum alloy hinges with stainless steel pins and bolts



### How To Order:

- 1. Specify Catalog Number**
- 2. Starting with Circuit #1** (Circuit #2 on back fed main breaker panelboards), specify circuit breaker type, number of poles, and ampacity.
- 3. Note:**
  - Handles will be provided for each breaker specified.
  - Unused spaces will be plugged.
  - For blank spaces requiring handles, specify handle catalog number and circuit number.

## X1PB1 Series

### STANDARD FEATURES

- Eaton Pow-R-Line C™ 1a Panelboard
- 12, 24, 30, 36 & 42 Circuit Main Lug Only
- 18 & 24 Circuit Back Fed Main Breaker(100A max)
- 12, 24, 36 & 42 Circuit Vertical Main Breaker
- Top or Bottom Fed
- 1-Phase 3-Wire 120/240 Volt, 3-Phase 4-Wire 120/208 Volt
- 100 or 225 Amp Copper Bus

## X1PB2 Series

### STANDARD FEATURES

- Eaton Pow-R-Line C™ 2a Panelboard
- 12, 24, 30, 36 & 42 Circuit Main Lug Only
- 18 & 24 Circuit Back Fed Main Breaker (100A max)
- 12, 24, 36 & 42 Circuit Vertical Main Breaker
- Top or Bottom Fed
- 3-Phase 4-Wire 277/480 Volt
- 100 or 225 Amp Copper Bus

## X1PB3 Series

### STANDARD FEATURES

- Eaton Pow-R-Line C™ 3a Panelboard
- 12, 18, 24 & 30 Circuit Main Lug Only (3-Pole Breakers Only)
- Top or Bottom Fed

### BRANCH CIRCUIT OPERATING HANDLES & PLUGS

Catalog #	Description
X1PB1-H1	Single Pole PL1A Breaker Handle
X1PB1-H2	Two Pole PL1A Breaker Handle
X1PB1-H3	Three Pole PL1A Breaker Handle
X1PB1-H	PL2A Breaker Handle (ALL POLES)
X1PB1-HGL1	Single Pole PL1A GFI/EPD Breaker Handle - Left Hand
X1PB1-HGR1	Single Pole PL1A GFI/EPD Breaker Handle - Right Hand
X1PB1-HGL2	Two Pole PL1A GFI/EPD Breaker Handle - Left Hand
X1PB1-HGR2	Two Pole PL1A GFI/EPD Breaker Handle - Right Hand
X1PB-MB	PL1A/PL2A Vertical Main Breaker Assembly
X1P3-H	PL3A Circuit Breaker Handle
15562-7	PL1A/PL2A Branch Space Hole Plug
18023	PL3A Branch Space Hole Plug

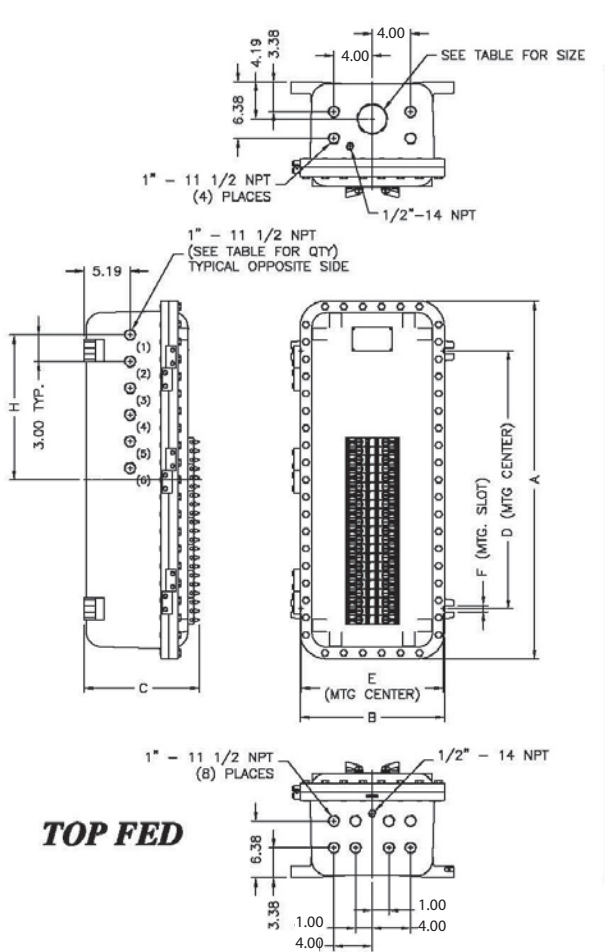
### BRANCH CIRCUIT BREAKERS, GFI & EPD

Catalog #	Description
X1PB1-1*	1 Pole, 120/240 Volt, Branch Breaker (10-70, 100 Amp.)
X1PB1-2*	2 Pole, 120/240 Volt, Branch Breaker (10-125 Amp.)
X1PB1-3*	3 Pole, 240 Volt, Branch Breaker (10-100 Amp.)
X1PB2-1*	1 Pole, 277/480 Volt, Branch Breaker (15-100 Amp.)
X1PB2-2*	2 Pole, 277/480 Volt, Branch Breaker (15-100 Amp.)
X1PB2-3*	3 Pole, 277/480 Volt, Branch Breaker (15-100 Amp.)
XBP1-1GFCI*	1 Pole, 120 Volt, 5mA, Ground Fault Circuit Breaker (15-40 Amp.)
X1BP1-2GFCI*	2 Pole, 120/240 Volt, 5mA, Ground Fault Circuit Breaker (15-40 Amp.)
X1BP1-1GFEPD*	1 Pole, 120 Volt, 30mA, Ground Fault Equipment Protector (15-40 Amp.)
X1BP1-1GFEPD*	2 Pole, 120/240 Volt, 30mA, Ground Equipment Protector (15-40 Amp.)
X1PB3-43*	3 Pole, 480 Volt, Branch Breaker (10-100 Amp.)
X1PB3-63*	3 Pole, 600 Volt, Branch Breaker (10-100 Amp.)

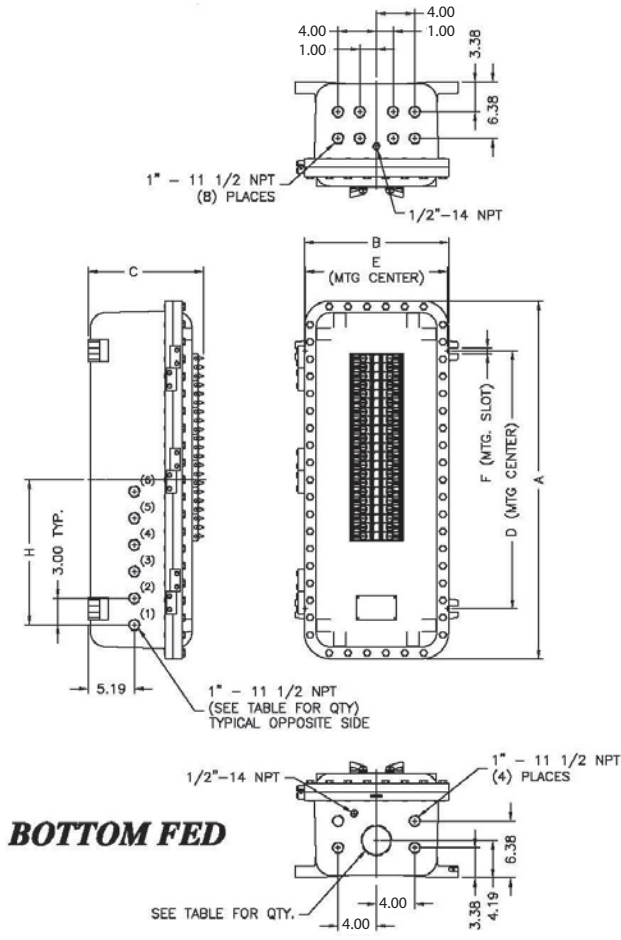
\*Add the Ampere Rating of the Branch Breaker When Ordering

# PANELBOARDS

## Explosionproof Panelboards Lighting Panel Main Lug Only



**TOP FED**



**BOTTOM FED**

### CERTIFICATIONS

- Class I, Groups B, C, D
- Class II, Groups F & G
- Class III
- Class I, Zone 1, AE x d IIB
- Ex d IIB+H<sub>2</sub>
- Type 4X, 7, 9
- IP66



EXPLOSIONPROOF  
Panelboards

## DIMENSIONAL OUTLINE

Catalog #	A	B	C	D	E	F	MAIN CONDUIT FED SIZE	H	LEFT & RIGHT SIDE HOLE LOCATIONS AND QTY'S	XP ENCLOSURE
X1PB1-121-L1_	22.25	16.25	12.03	14.13	15.75	.50	2"	7.00	1 THRU 3	XCEX 121808 N4
X1PB1-241-L1_	28.25	16.25	12.54	18.38	15.75	.63	2.5"	10.00	1 THRU 4	XCEX 122408 N4
X1PB1-241-L2_	40.25	16.25	13.38	29.00	15.75	.68	3"	16.00	1 THRU 4	XCEX 123608 N4
X1PB1-301-L2_	40.25	16.25	13.38	29.00	15.75	.68	3"	16.00	1 THRU 5	XCEX 123608 N4
X1PB1-361-L2_	40.25	16.25	13.38	29.00	15.75	.68	3"	16.00	1 THRU 6	XCEX 123608 N4
X1PB1-421-L2_	40.25	16.25	13.38	29.00	15.75	.68	3"	16.00	1 THRU 6	XCEX 123608 N4
X1PB1-123-L1_	22.25	16.25	12.03	14.13	15.75	.50	2"	7.00	1 THRU 3	XCEX 121808 N4
X1PB1-243-L1_	28.25	16.25	12.54	18.38	15.75	.63	2.5"	10.00	1 THRU 4	XCEX122408 N4
X1PB1-243-L2_	40.25	16.25	13.38	29.00	15.75	.68	3"	16.00	1 THRU 4	XCEX 123608 N4
X1PB1-303-L2_	40.25	16.25	13.38	29.00	15.75	.68	3"	16.00	1 THRU 5	XCEX 123608 N4
X1PB1-363-L2_	40.25	16.25	13.38	29.00	15.75	.68	3"	16.00	1 THRU 6	XCEX 123608 N4
X1PB1-423-L2_	40.25	16.25	13.38	29.00	15.75	.68	3"	16.00	1 THRU 6	XCEX 123608 N4
X1PB2-123-L1_	22.25	16.25	12.03	14.13	15.75	.50	2"	7.00	1 THRU 3	XCEX 121808 N4
X1PB2-243-L1_	28.25	16.25	12.54	18.38	15.75	.63	2.5"	10.00	1 THRU 4	XCEX 122408 N4
X1PB2-243-L2_	40.25	16.25	13.38	29.00	15.75	.68	3"	16.00	1 THRU 4	XCEX 123608 N4
X1PB2-303-L2_	40.25	16.25	13.38	29.00	15.75	.68	3"	16.00	1 THRU 5	XCEX 123608 N4
X1PB2-363-L2_	40.25	16.25	13.38	29.00	15.75	.68	3"	16.00	1 THRU 6	XCEX 123608 N4
X1PB2-423-L2_	40.25	16.25	13.38	29.00	15.75	.68	3"	16.00	1 THRU 6	XCEX 123608 N4

## LIGHTING PANELS

Catalog #	# Branch Breakers	Eaton Cutler Hammer Pow-R-Line C Panelboards		Chassis Type
		Electrical Rating	Buss Amp	
X1PB1-121-L1_	12	1Ø-3W 120/240V	100	PRL1A
X1PB1-241-L1_	24	1Ø-3W 120/240V	100	PRL1A
X1PB1-241-L2_	24	1Ø-3W 120/240V	225	PRL1A
X1PB1-301-L2_	30	1Ø-3W 120/240V	225	PRL1A
X1PB1-361-L2_	36	1Ø-3W 120/240V	225	PRL1A
X1PB1-421-L2_	42	1Ø-3W 120/240V	225	PRL1A
X1PB1-123-L1_	12	3Ø-4W 120/208V	100	PRL1A
X1PB1-243-L1_	24	3Ø-4W 120/208V	100	PRL1A
X1PB1-243-L2_	24	3Ø-4W 120/208V	225	PRL1A
X1PB1-303-L2_	30	3Ø-4W 120/208V	225	PRL1A
X1PB1-363-L2_	36	3Ø-4W 120/208V	225	PRL1A
X1PB1-423-L2_	42	3Ø-4W 120/208V	225	PRL1A
X1PB2-123-L1_	12	3Ø-4W 277/480V	100	PRL2A
X1PB2-243-L1_	24	3Ø-4W 277/480V	100	PRL2A
X1PB2-243-L2_	24	3Ø-4W 277/480V	225	PRL2A
X1PB2-303-L2_	30	3Ø-4W 277/480V	225	PRL2A
X1PB2-363-L2_	36	3Ø-4W 277/480V	225	PRL2A
X1PB2-423-L2_	42	3Ø-4W 277/480V	225	PRL2A

## BRANCH CIRCUIT OPERATING HANDLES & PLUGS

Catalog #	DESCRIPTION
X1PB1-H1	SINGLE POLE PL1A BREAKER HANDLE
X1PB1-H2	TWO POLE PL1A BREAKER HANDLE
X1PB1-H3	THREE POLE PL1A BREAKER HANDLE
X1PB2-H	PL2A BREAKER HANDLE (ALL POLES)
X1PB1-HGL1	SINGLE POLE PL1A GFI/EPD BREAKER HANDLE - LEFT HAND
X1PB1-HGR1	SINGLE POLE PL1A GFI/EPD BREAKER HANDLE - RIGHT HAND
X1PB1-HGL2	TWO POLE PL1A GFI/EPD BREAKER HANDLE - LEFT HAND
X1PB1-HGR2	TWO POLE PL1A GFI/EPD BREAKER HANDLE - RIGHTHAND
15562-7	BRANCH SPACE PLUG

## BRANCH BREAKERS

PRL1A	PRL2A
BAB	
QBGF	GHB
QBGFEP	

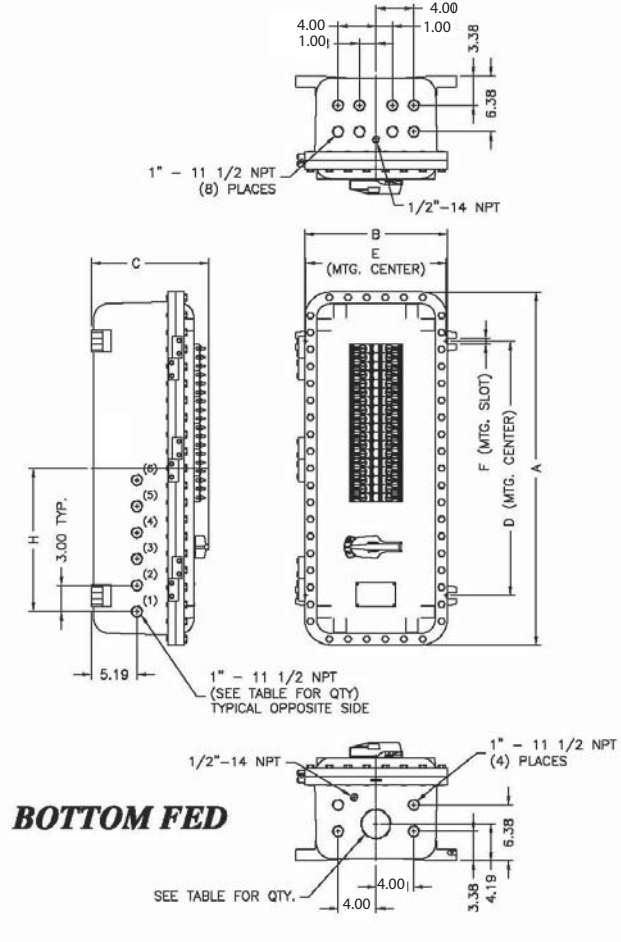
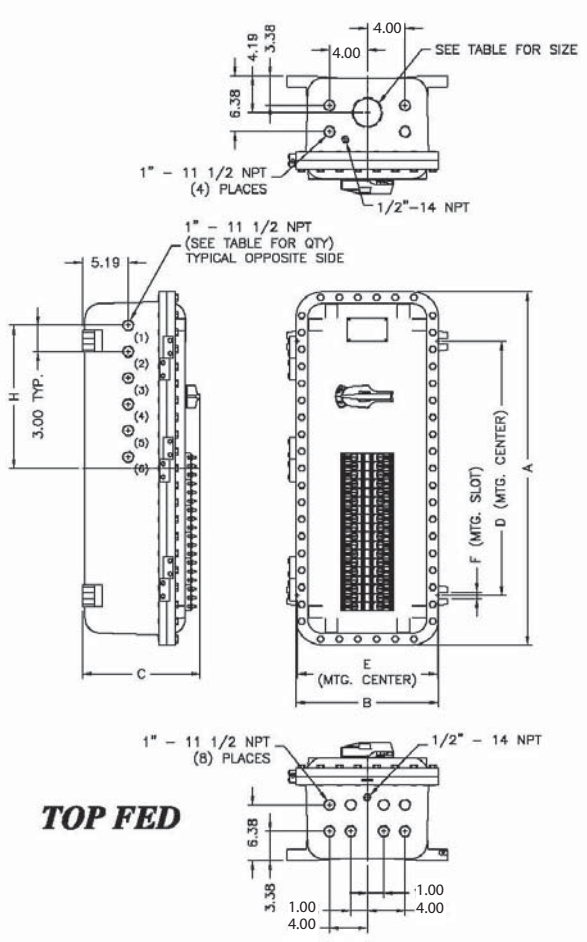
## NOTES:

1. For Bottom Fed Model add suffix -B
2. For Top Fed Model add suffix -T
3. 10kA Maximum Interrupting Capacity (Sym.)



# PANELBOARDS

## Explosionproof Panelboards Vertical Main Breaker



EXPLOSIONPROOF  
Panelboards

### CERTIFICATIONS

- Class I, Groups B, C, D
- Class II, Groups F & G
- Class III
- Class I, Zone 1, AE x d IIB
- Ex d IIB+H<sub>2</sub>
- Type 4X, 7, 9
- IP66





## DIMENSIONAL OUTLINE

Catalog #	A	B	C	D	E	F	MAIN CONDUIT FED SIZE	H	LEFT & RIGHT SIDE HOLE LOCATIONS AND QTY'S	XP ENCLOSURE
X1PB1-121-M1_	28.25	16.25	12.94	18.38	15.75	.63	2"	10.00	1 THRU 3	XCEX 122408 N4
X1PB1-241-M1_	40.25	16.25	13.38	18.38	15.75	.68	2.5"	16.00	1 THRU 4	XCEX 123608 N4
X1PB1-241-M2_	40.25	16.25	13.38	29.00	15.75	.68	3"	16.00	1 THRU 4	XCEX 123608 N4
X1PB1-361-M2_	50.25	16.25	13.38	39.00	15.75	.68	3"	21.00	1 THRU 6	XCEX 124608 N4
X1PB1-421-M2_	50.25	16.25	13.38	39.00	15.75	.68	2"	21.00	1 THRU 6	XCEX 124608 N4
X1PB1-123-M1_	28.25	16.25	12.94	18.38	15.75	.63	2.5"	10.00	1 THRU 3	XCEX 122408 N4
X1PB1-243-M1_	40.25	16.25	13.38	29.00	15.75	.68	2.5"	16.00	1 THRU 4	XCEX 123608 N4
X1PB1-243-M2_	40.25	16.25	13.38	29.00	15.75	.68	3"	16.00	1 THRU 4	XCEX 123608 N4
X1PB1-363-M2_	50.25	16.25	13.38	39.00	15.75	.68	3"	21.00	1 THRU 6	XCEX 124608 N4
X1PB1-423-M2_	50.25	16.25	13.38	39.00	15.75	.68	2"	21.00	1 THRU 6	XCEX 124608 N4
X1PB2-123-M1_	28.25	16.25	12.94	18.38	15.75	.63	2"	10.00	1 THRU 3	XCEX 122408 N4
X1PB2-243-M1_	40.25	16.25	13.38	29.00	15.75	.68	2.5"	16.00	1 THRU 4	XCEX 123608 N4
X1PB2-243-M2_	40.25	16.25	13.38	29.00	15.75	.68	2.5"	16.00	1 THRU 4	XCEX 123608 N4
X1PB2-363-M2_	50.25	16.25	13.38	39.00	15.75	.68	3"	21.00	1 THRU 6	XCEX 124608 N4
X1PB2-423-M2_	50.25	16.25	13.38	39.00	15.75	.68	3"	21.00	1 THRU 6	XCEX 124608 N4

## LIGHTING PANELS

Catalog #	# Branch Breakers	Eaton Cutler Hammer Pow-R-Line C Panelboards			Chassis Type
		Electrical Rating	Main Brkr Type	Buss Amp	
X1PB1-121-M1_	12	1Ø-3W 120/240V	EHD2100	100	PRL1A
X1PB1-241-M1_	24	1Ø-3W 120/240V	EHD2100	100	PRL1A
X1PB1-241-M2_	24	1Ø-3W 120/240V	FD2225	225	PRL1A
X1PB1-361-M2_	36	1Ø-3W 120/240V	FD2225	225	PRL1A
X1PB1-421-M2_	42	1Ø-3W 120/240V	FD2225	225	PRL1A
X1PB1-123-M1_	12	3Ø-4W 120/208V	EHD2100	100	PRL1A
X1PB1-243-M1_	24	3Ø-4W 120/208V	EHD2100	100	PRL1A
X1PB1-243-M2_	24	3Ø-4W 120/208V	FD2225	225	PRL1A
X1PB1-363-M2_	36	3Ø-4W 120/208V	FD2225	225	PRL1A
X1PB1-423-M2_	42	3Ø-4W 120/208V	FD2225	225	PRL1A
X1PB2-123-M1_	12	3Ø-4W 277/480V	EHD3100	100	PRL2A
X1PB2-243-M1_	24	3Ø-4W 277/480V	EHD3100	100	PRL2A
X1PB2-243-M2_	24	3Ø-4W 277/480V	FD3225	225	PRL2A
X1PB2-363-M2_	36	3Ø-4W 277/480V	FD3225	225	PRL2A
X1PB2-423-M2_	42	3Ø-4W 277/480V	FD3225	225	PRL2A

## BRANCH CIRCUIT OPERATING HANDLES &amp; PLUGS

Catalog #	DESCRIPTION
X1PB1-H1	SINGLE POLE PL1A BREAKER HANDLE
X1PB1-H2	TWO POLE PL1A BREAKER HANDLE
X1PB1-H3	THREE POLE PL1A BREAKER HANDLE
X1PB2-H	PL2A BREAKER HANDLE (ALL POLES)
X1PB1-HGL1	SINGLE POLE PL1A GFI/EPD BREAKER HANDLE - LEFT HAND
X1PB1-HGR1	SINGLE POLE PL1A GFI/EPD BREAKER HANDLE - RIGHT HAND
X1PB1-HGL2	TWO POLE PL1A GFI/EPD BREAKER HANDLE - LEFT HAND
X1PB1-HGR2	TWO POLE PL1A GFI/EPD BREAKER HANDLE - RIGHTHAND
X1PB-MB	VERTICAL MAIN BREAKER HANDLE ASSEMBLY
15562-7	BRANCH SPACE PLUG
18023	XPPH-N4 MAIN BREAKER PLUG

## BRANCH BREAKERS

PRL1A	PRL2A
BAB	
QBGF	GHB
QBGFEP	

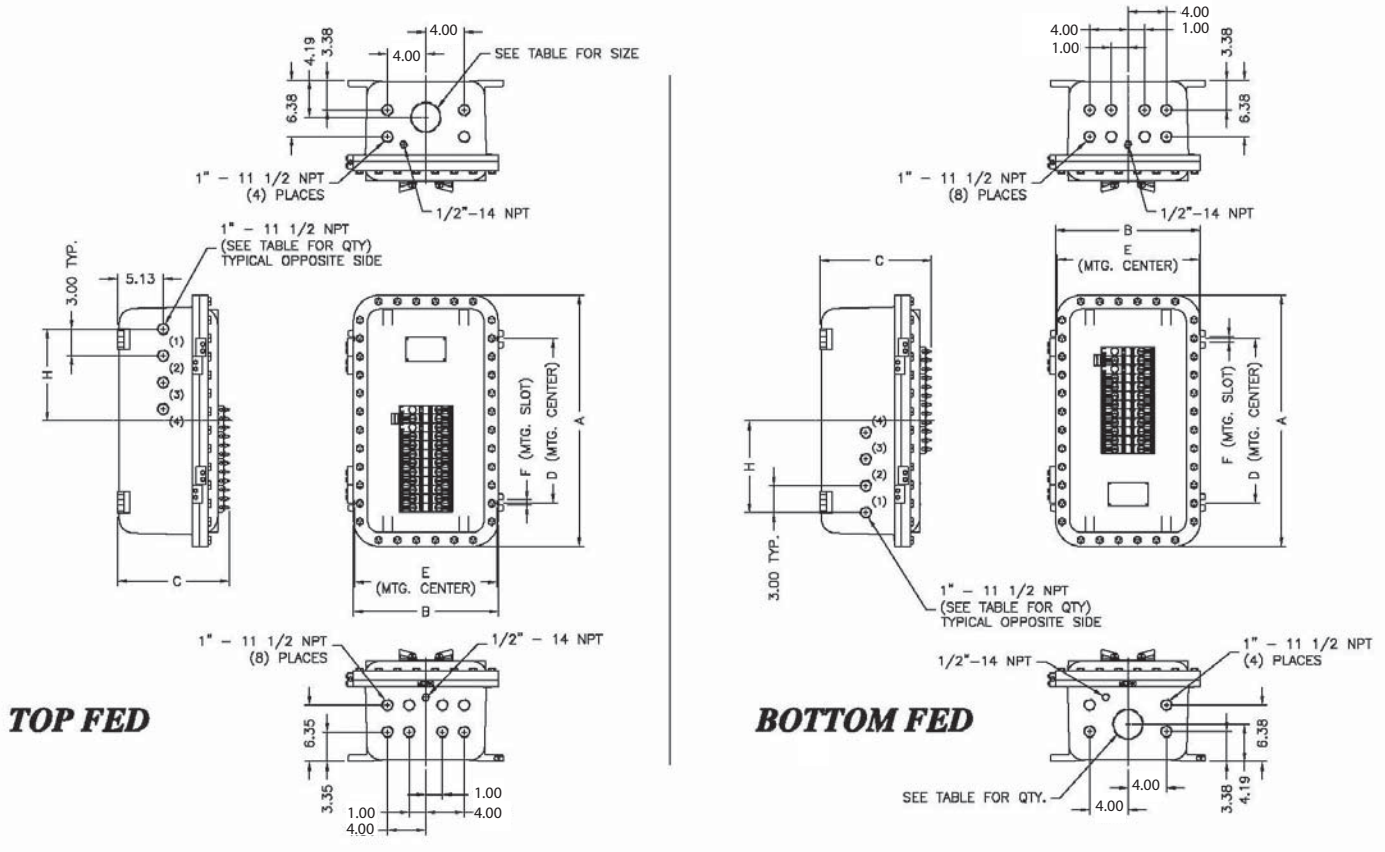
## NOTES:

1. For Bottom Fed Model add suffix -B
2. For Top Fed Model add suffix -T
3. 10kA Maximum Interrupting Capacity (Sym.)

# PANELBOARDS

## Explosionproof Panelboards Back Fed Main Breaker

EXPLOSIONPROOF  
Panelboards



### CERTIFICATIONS

- Class I, Groups B, C, D
- Class II, Groups F & G
- Class III
- Class I, Zone 1, AE x d IIB
- Ex d IIB+H<sub>2</sub>
- Type 4X, 7, 9
- IP66



## DIMENSIONAL OUTLINE

Catalog #	A	B	C	D	E	F	MAIN CONDUIT FED SIZE	H	LEFT & RIGHT SIDE HOLE LOCATIONS AND QTY'S	XP ENCLOSURE
X1PB1-121-B1_	22.25	16.25	12.03	14.13	15.75	.50	2"	7.00	1 THRU 3	XCEX 121808 N4
X1PB1-181-B1_	28.25	16.25	12.54	18.38	15.75	.63	2.5"	10.00	1 THRU 4	XCEX 122408 N4
X1PB1-241-B1_	28.25	16.25	12.54	18.38	15.75	.63	2.5"	16.00	1 THRU 4	XCEX 122408 N4
X1PB1-123-B1_	22.25	16.25	12.03	14.13	15.75	.50	2"	16.00	1 THRU 3	XCEX 121808 N4
X1PB1-183-B1_	28.25	16.25	12.54	18.38	15.75	.63	2.5"	16.00	1 THRU 4	XCEX 122408 N4
X1PB1-243-B1_	28.25	16.25	12.54	18.38	15.75	.63	2.5"	16.00	1 THRU 4	XCEX 122408 N4
X1PB2-123-B1_	22.25	16.25	12.03	14.13	15.75	.50	2"	7.00	1 THRU 3	XCEX 121808 N4
X1PB2-183-B1_	28.25	16.25	12.54	18.38	15.75	.63	2.5"	10.00	1 THRU 4	XCEX 122408 N4
X1PB2-243-B1_	28.25	16.25	12.54	18.38	15.75	.63	2.5"	16.00	1 THRU 4	XCEX 122408 N4

## LIGHTING PANELS

Catalog #	# Branch Breakers	Eaton Cutler Hammer Pow-R-Line C Panelboards			Chassis Type
		Electrical Rating	Main Brkr Type	Buss Amp	
X1PB1-121-B1_	10	1Ø-3W 120/240V	BAB2100	100	PRL1A
X1PB1-181-B1_	16	1Ø-3W 120/240V	BAB2100	100	PRL1A
X1PB1-241-B2_	22	1Ø-3W 120/240V	BAB2100	100	PRL1A
X1PB1-123-B1_	9	1Ø-3W 120/208V	BAB3100H	100	PRL1A
X1PB1-183-B1_	15	1Ø-3W 120/208V	BAB3100H	100	PRL1A
X1PB1-243-B2_	21	3Ø-4W 120/208V	BAB3100H	100	PRL1A
X2PB2-123-B1_	9	3Ø-4W 120/480V	GHB3100	100	PRL2A
X2PB1-183-B1_	15	3Ø-4W 120/480V	GHB3100	100	PRL2A
X1PB2-243-B2_	21	3Ø-4W 120/480V	GHB3100	100	PRL2A

## BRANCH CIRCUIT OPERATING HANDLES &amp; PLUGS

Catalog #	DESCRIPTION
X1PB1-H1	SINGLE POLE PL1A BREAKER HANDLE
X1PB1-H2	TWO POLE PL1A BREAKER HANDLE
X1PB1-H3	THREE POLE PL1A BREAKER HANDLE
X1PB2-H	PL2A BREAKER HANDLE (ALL POLES)
X1PB1-HGL1	SINGLE POLE PL1A GFI/EPD BREAKER HANDLE - LEFT HAND
X1PB1-HGR1	SINGLE POLE PL1A GFI/EPD BREAKER HANDLE - RIGHT HAND
X1PB1-HGL2	TWO POLE PL1A GFI/EPD BREAKER HANDLE - LEFT HAND
X1PB1-HGR2	TWO POLE PL1A GFI/EPD BREAKER HANDLE - RIGHTHAND
15562-7	BRANCH SPACE PLUG

## BRANCH BREAKERS

PRL1A	PRL2A
BAB	
QBGF	GHB
QBGFEP	

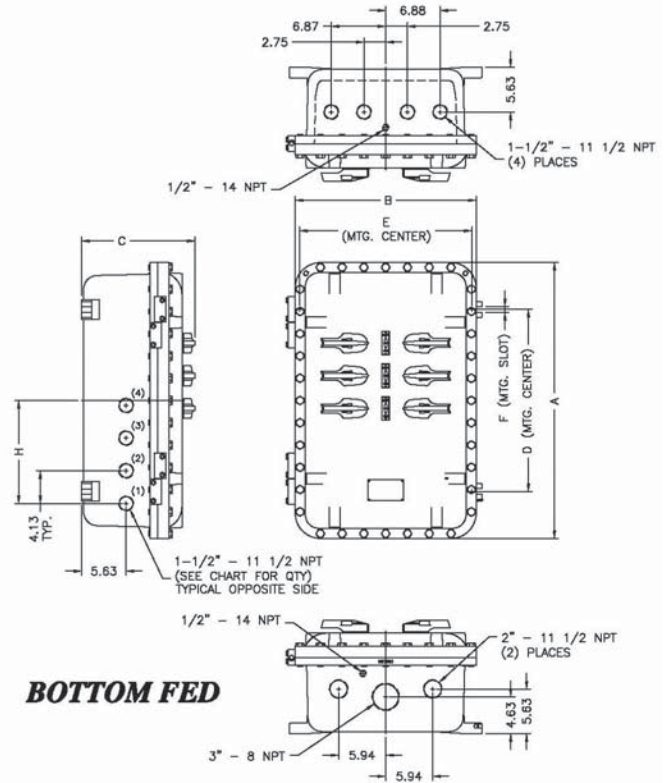
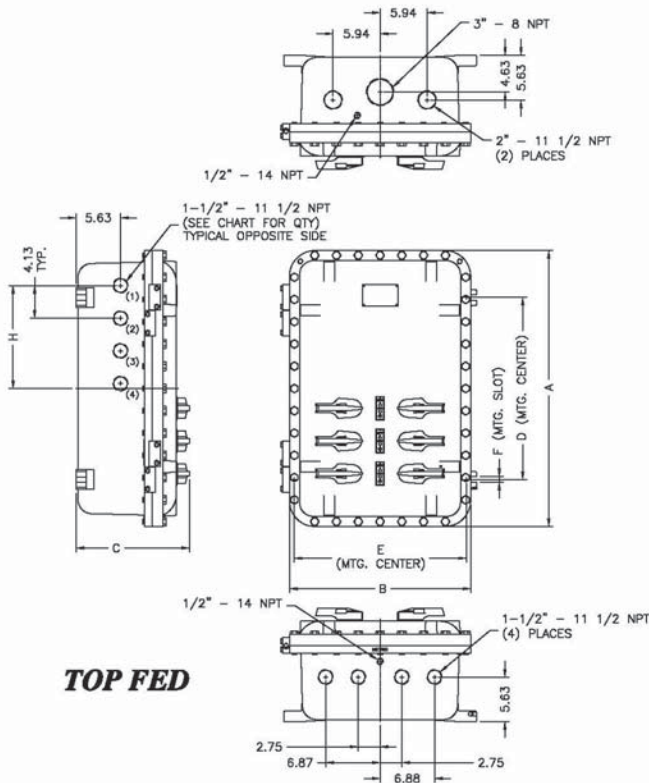
## NOTES:

1. For Bottom Fed Model add suffix -B
2. For Top Fed Model add suffix -T
3. 10kA Maximum Interrupting Capacity (Sym.)

# PANELBOARDS

## Explosionproof Panelboards Power Panel Main Lug Only

EXPLOSIONPROOF  
Panelboards



### CERTIFICATIONS

- Class I, Groups B, C, D
- Class II, Groups F & G
- Class III
- Class I, Zone 1, AE x d IIB
- Ex d IIB+H<sub>2</sub>
- Type 4X, 7, 9



## DIMENSIONAL OUTLINE

Catalog #	A	B	C	D	E	F	H		
X1PB3-4_	28.88	22.88	14.46	18.38	15.75	.69	10.00	1 & 2	XCEX 182408 N4
X1PB3-6_	34.88	22.88	14.35	23.00	15.75	.69	13.00	1 THRU 3	XCEX 183008 N4
X1PB3-8_	34.88	22.88	14.35	23.00	15.75	.69	13.00	1 THRU 3	XCEX 183008 N4
X1PB3-10_	40.88	22.88	14.54	29.00	21.75	.69	16.00	1 THRU 4	XCEX 183608 N4

## POWER PANELS

Catalog #	Eaton Cutler Hammer Pow-R-Line C Panelboards			
	# 3-Pole Branch Brkrs	Electrical Rating	Buss Amp	Chassis Type
X1PB3-434-L2_	4	3Ø-3W 480V	225	PRL3A
X1PB3-634-L2_	6	3Ø-3W 480V	225	PRL3A
X1PB3-834-L2_	8	3Ø-3W 480V	225	PRL3A
X1PB3-1034-L2_	10	3Ø-3W 480V	225	PRL3A
X1PB3-444-L2_	4	3Ø-3W 480V	225	PRL3A
X1PB3-644-L2_	6	3Ø-4W 480V	225	PRL3A
X1PB3-844-L2_	8	3Ø-4W 480V	225	PRL3A
X1PB3-1044-L2_	10	3Ø-4W 480V	225	PRL3A
X1PB3-436-L2_	4	3Ø-3W 600V	225	PRL3A
X1PB3-636-L2_	6	3Ø-3W 600V	225	PRL3A
X1PB3-836-L2_	8	3Ø-3W 600V	225	PRL3A
X1PB3-1036-L2_	10	3Ø-3W 600V	225	PRL3A
X1PB3-446-L2_	4	3Ø-4W 600V	225	PRL3A
X1PB3-646-L2_	6	3Ø-4W 600V	225	PRL3A
X1PB3-846-L2_	8	3Ø-4W 600V	225	PRL3A
X1PB3-1046-L2_	10	3Ø-4W 600V	225	PRL3A

## BRANCH CIRCUIT OPERATING HANDLES & PLUGS

Catalog #	DESCRIPTION
X1PB1-H1	SINGLE POLE PL1A BREAKER HANDLE
X1PB1-H2	TWO POLE PL1A BREAKER HANDLE
X1PB1-H3	THREE POLE PL1A BREAKER HANDLE
X1PB2-H	PL2A BREAKER HANDLE (ALL POLES)
X1PB1-HGL1	SINGLE POLE PL1A GFI/EPD BREAKER HANDLE - LEFT HAND
X1PB1-HGR1	SINGLE POLE PL1A GFI/EPD BREAKER HANDLE - RIGHT HAND
X1PB1-HGL2	TWO POLE PL1A GFI/EPD BREAKER HANDLE - LEFT HAND
X1PB1-HGR2	TWO POLE PL1A GFI/EPD BREAKER HANDLE - RIGHTHAND
15562-7	BRANCH SPACE PLUG

## BRANCH BREAKERS

Volts	Type
480	EHD
600	FDB

### NOTES:

1. For Bottom Fed Model add suffix -B
2. For Top Fed Model add suffix -T
3. 10kA Maximum Interrupting Capacity (Sym.)















**TAB**

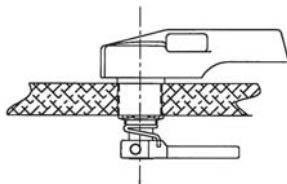
# Explosionproof Circuit Breaker Enclosures

## BREAKERS

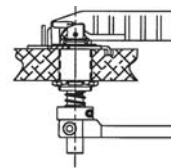
- Circuit breakers are thermal magnetic type and are available in frame sizes ranging from 15 to 800 amperes
- Also available as non-automatic circuit interrupters, without automatic overload trip elements for load switching and isolation.
- Short circuit and overload protection must be provided by separate protection device
- Breakers available for magnetic trip only
- Can be set up for GE, Cutler-Hammer (Westinghouse), Square-D and ITE (Siemens) brand circuit breakers. Consult factory for other brands
- Holes for Cutler-Hammer circuit breakers are drilled directly into back wall
- Breakers also available for magnetic trip only

## ENCLOSURES

- Offer sufficient space for wire bending and ease of installation and maintenance
- Housings are copper-free cast aluminum alloy, XCE series with precision ground cover and body joints
- XCBC and larger units are furnished with hinges
- Covers are removable for clear access to breakers
- For XCBA and XCBB units, hinge and mounting pan are optional
- Front mounted circuit breaker handle is padlockable in either "on" or "off" position
- Furnished with Stainless Steel captive cover bolts



Standard XCBH Style  
"Classic", larger handle.  
Special 1" – 1 1/2" NPSM  
opening required for installation.



Optional XBO Style  
"New", spring loaded, compact  
adjustable design, ease of  
assembly and less expensive.  
Standard 3/4 – 14 NPSM  
opening required for installation.

## CERTIFICATIONS

Class I, Groups B\*,C,D  
CSA C22.2 No. 25 & 30  
Class II, Groups E,F,G  
Class III  
TYPE 4 (w/N4 suffix)  
TYPE 4X (w/SS cover bolts)

UL 1203

UL50



\* Group C & D w/ N4 suffix

ATEX Certification Available as XCEX Series Enclosures. Consult factory

## Explosionproof Circuit Breaker Enclosures

MOLDED CASE CIRCUIT BREAKER ENCLOSURES (BREAKER INCLUDED)				
Breaker Frame Size	Volts	Amp Rating	Catalog No. 3 Pole Non-Interchangeable	
100/150	480 Volt AC	15	XCBA-N4-15E43*	
		20	XCBA-N4-20E43*	
		30	XCBA-N4-30E43*	
		40	XCBA-N4-40E43*	
		50	XCBA-N4-50E43*	
		60	XCBA-N4-60E43*	
		70	XCBA-N4-70E43*	
		250 Volt DC	80	XCBB-N4-80E43*
			90	XCBB-N4-90E43*
			100	XCBB-N4-100E43*
			110	XCBB-N4-110E43*
			125	XCBB-N4-125E43*
			150	XCBB-N4-150E43*
100/150	600 Volt AC	15	XCBA-N4-15E63*	
		20	XCBA-N4-20E63*	
		30	XCBA-N4-30E63*	
		40	XCBA-N4-40E63*	
		50	XCBA-N4-50E63*	
		60	XCBA-N4-60E63*	
		70	XCBA-N4-70E63*	
		250 Volt DC	80	XCBB-N4-80E63*
			90	XCBB-N4-90E63*
			100	XCBB-N4-100E63*
			110	XCBB-N4-110E63*
			125	XCBB-N4-125E63*
			150	XCBB-N4-150E63*
225/250	600 Volt AC	70	XCBC-N4-70JN3*	
		90	XCBC-N4-90JN3*	
		100	XCBC-N4-100JN3*	
		125	XCBC-N4-125JN3*	
		250 Volt DC	15	XCBC-N4-150JN3*

**ATEX Certification Available**-Consult factory

**\*CUSTOMER MUST SPECIFY CIRCUIT BREAKER BRAND SUFFIX:**

W-Cutler-Hammer (Westinghouse) G-General Electric S-Square-D T-I.T.E. (Siemens)

# Explosionproof Circuit Breaker Enclosures

MOLDED CASE CIRCUIT BREAKER ENCLOSURES (BREAKER INCLUDED)			
Breaker Frame Size	Volts	Amp Rating	Catalog No. 3 Pole Non-Interchangeable
400	600	100	XCBD-N4-100KN3*
	Volt AC	125	XCBD-N4-125KN3*
	250	150	XCBD-N4-150KN3*
	Volt DC	175	XCBD-N4-175KN3*
		250	XCBE-N4-250KN3*
600	600	250	XCBE-N4-250L13*
	Volt AC	300	XCBE-N4-300L13*
	250	350	XCBE-N4-350L13*
	Volt DC	400	XCBE-N4-400L13*

**ATEX Certification Available**-Consult factory

**NOTE** For Interchangeable Trip substitute an "I" for "N" in the Catalog Number. (Example: XCBC-N4-70J12)

**\*CUSTOMER MUST SPECIFY CIRCUIT BREAKER BRAND SUFFIX:**

W-Cutler-Hammer (Westinghouse) G-General Electric S-Square-D T-I.T.E. (Siemens)

FUSIBLE DISCONNECT SWITCHES			
Horsepower Rating at 480 Volts	Horsepower Rating at 600 Volts	Amp Rating	Catalog No. 3 Pole
20	20	30	XCBA-N4-30DF3W
40	50	60	XCBA-N4-60DF3W
75	75	100	XCBB-N4-100DF3W
125	150	200	XCBK-N4-200DF3G

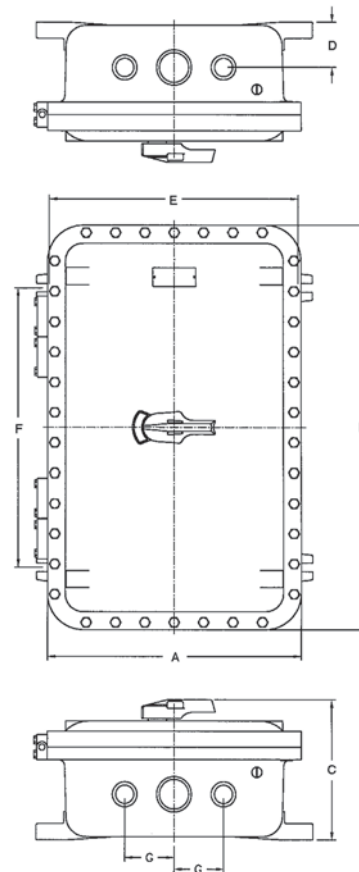
NON-FUSED DISCONNECT SWITCHES			
Horsepower Rating at 480 Volts	Horsepower Rating at 600 Volts	Amp Rating	Catalog No. 3 Pole
20	20	30	XCBA-N4-30DN3W
40	50	60	XCBA-N4-60DN3W
75	75	100	XCBB-N4-100DN3W
125	150	200	XCBK-N4-200DN3G

**NOTE** Mounting pans drilled for class "J" fuses

# Explosionproof Circuit Breaker Enclosures

## CIRCUIT BREAKER ENCLOSURE ONLY

Breaker Frame Size	Trip Range	Enclosure
100	15-70	XCBA-N4
100/150	80-150	XCBB-N4
225/250	70-250	XCBC-N4
400	100-225	XCBD-N4
600	250-400	XCBE-N4
800	400-800	XCBF-N4



## FUSIBLE DISCONNECT SWITCHES

Description	Suffix	Available On Circuit Breaker	Disconnect Switch	Universal Enclosure Only
Auxiliary Switch 1A and 1B Contacts	AS1	•	•	
Auxiliary Switch 2A and 2B Contacts	AS2	•	•	
Bell Alarm (Specify No. of Contacts)	BA	•		
Breather/Drain - installed in bottom	E	•	•	•
Breather and Drain installed	EE	•	•	•
High Interrupting Capacity Breaker	HI	•		
Substitute MCP for Breaker	M	•		
Phenolic Nameplate (Specify Legend)	NP	•	•	•
Shunt Trip (Specify Voltage Rating)	ST	•		
Undervoltage Release (Specify Voltage Rating)	UV	•		
Other / Special	Z	•	•	

## DATA DIMENSIONS

Catalog #	Inside Nom. Dimensions			Overall Dimensions			Mounting Lug CL to CL		Mtg. Bolt Size	Conduit Dimension		Conduit Size		Ship Weight (lbs.)
	W	L	D	A	B	C	E	F		D	G	Size	# Holes Top/Bot	
XCBA-N4	6	11	5	9 ¼	14 ¼	9	9 ½	7 ½	7/16	2 ½	—	1 ¼	1	28
XCBB-N4	6	13	5	9 ¼	16 ¼	9	9 ½	9 ½	3/8	2 ½	—	2	1	31
XCBC-N4	7	18	5	10 ¾	21 ¾	9	9 ¾	14 ½	3/8	2 ¾	—	2 ½	1	47
XCBD-N4	12	20	5	16 ¼	24 ¼	10	15 ¾	14 ¾	½	3 ¼	—	2 ½	1	108
XCBE-N4	12	24	6	16 ¼	28 ¼	11	15 ¾	18 ¾	½	3 ⅝	2 7/8	3	2	131
XCBF-N4	12	36	8	16 ¼	40 ¼	13 ½	15 ¾	29	5/8	4 ½	3 ¾	4	2	237

**ATEX Certification Available**-Consult factory

**NOTE** All enclosures have ½" NPT top and bottom for breather drain.





# Explosionproof Combination Motor Starters

## STANDARD FEATURES

- 11 standard configurations available for NEMA sizes 0 through 3
- Corrosion resistant, copper free aluminum
- Hinged cover
- NEMA 4 watertight Nitrile gasket
- Premium, high strength stainless steel cover bolts
- Green (start) and red (stop) pushbuttons
- Mechanical reset button
- Combination starter with plug-in modular trip for ease of field modifications
- 100VA control power transformer
- Standard drilled and tapped entries
- Panel wiring
- Cast-on mounting lugs / feet
- Tumbleblast, natural aluminum finish

## DESIGN OPTIONS

- Custom conduit (NPT & metric) and device (NPSM) drilling & tapping
- Auxiliary devices such as breather / drains and flame arrestors
- Custom machining - milling, counter-boring, spot-facing, blind drilled entries, chamfers
- Custom cast-on logos
- Powder and epoxy coatings for additional corrosion resistance
- Special mounting provisions

## MATERIALS

- Enclosure - copper free aluminum (3/10 of 1%)
- Cover bolts - stainless steel 316L
- Hinge kits - copper free aluminum with stainless steel 316L hardware

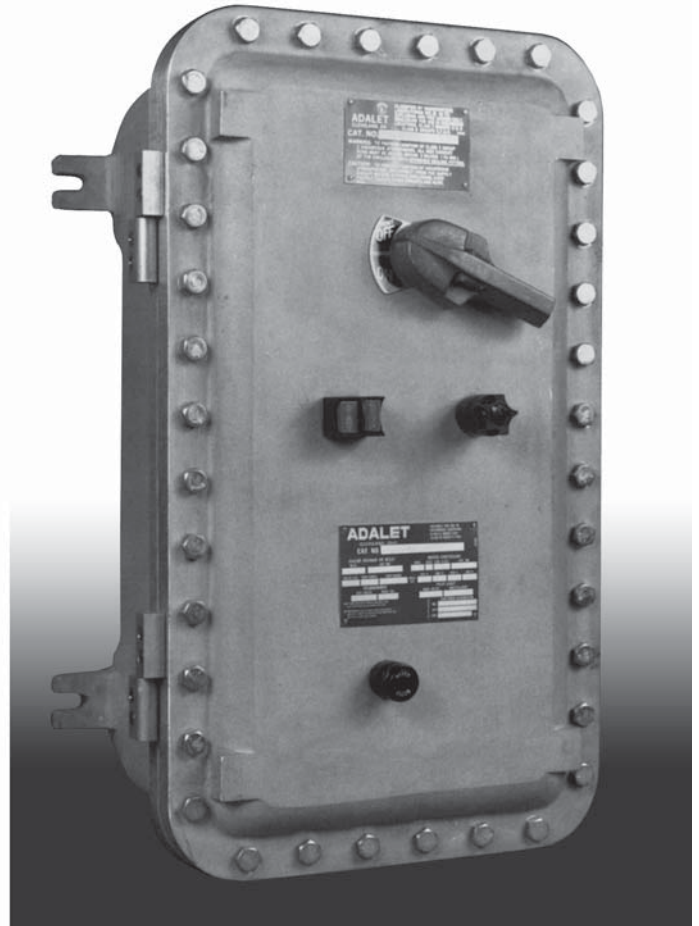
## CERTIFICATIONS

Class I, Division 1, Gas Groups D  
Class II, Division 2, Gas Groups EFG  
Class III  
Type 4X, 7, 9

Class I, Zone 1, AExd IIB T6  
(T5:  $-20^{\circ}\text{C} \leq T_a \leq +55^{\circ}\text{C}$   
Exd IIB+H2 T6:  $-20^{\circ}\text{C} \leq T_a \leq +55^{\circ}\text{C}$   
IP66

UL 1203  
CSA C22.2 No. 30  
UL 1604  
UL 50

UL 60079-0 / EN 60079-1  
EN 60079-0 / EN 60079-1  
EN 60529  
IEC 60529  
UL 60079-1 / UL 60079-0



**NOTE** Consult Factory for approvals and certifications on specific enclosures.

# Explosionproof Combination Motor Starters

(Enclosure only - does not include breaker or starter)

## \*COMBINATION FULL VOLTAGE NON-REVERSING STARTERS

Max Starter NEMA Size	Std. Breaker Frame Size	Enclosure
0 & 1	100	XCBSAQ-N4
2	100	XCBSBQ-N4
3	100	XCBSLQ-N4
4	225/250	XCBSMQ-N4
5	400	XCBSN-N4

## \*COMBINATION FULL VOLTAGE FULL REVERSING STARTERS

Max Starter NEMA Size	Std. Breaker Frame Size	Enclosure
0 & 1	100	XCMRSG-N4
2	100	XCMRSK-N4
3	100	XCMRSP-N4

## \*ACROSS THE LINE FULL VOLTAGE NON-REVERSING START-

Max Starter NEMA Size	Enclosure
0 & 1	XMSB-N4
2	XMSD-N4
3 & 4	XMSH-N4

## \*ACROSS THE LINE FULL VOLTAGE REVERSING STARTERS

Starter NEMA Size	Enclosure
0 & 1	XMRSC-N4
2	XMRSF-N4
3 & 4	XMRSO-N4

# Combination Motor Starter Enclosures

## Full Voltage Non-Reversing (includes breaker and starter)

240 VOLT AC MOTOR - Thermal Magnetic Breaker\*/120V AC Coil

Maximum HP	Nema Size	Catalog Number
2	0	XCBSAQ-N4-2015
3	0	XCBSAQ-N4-2020
5	1	XCBSAQ-N4-2130
7 ½	1	XCBSAQ-N4-2150
10	2	XCBSBQ-N4-2270
15	2	XCBSBQ-N4-22100
20	3	XCBSLQ-N4-23100
30	3	XCBSLQ-N4-23125
40	4	XCBSMQ-N4-24175
50	4	XCBSMQ-N4-24200
60	5	XCBSN-N4-25225
75	5	XCBSN-N4-25300
100	5	XCBSN-N4-25400

480 VOLT AC MOTOR - Thermal Magnetic Breaker\*/120V AC Coil

Maximum HP	Nema Size	Catalog Number
2	0	XCBSAQ-N4-4015
5	0	XCBSAQ-N4-4020
10	1	XCBSAQ-N4-4130
25	2	XCBSBQ-N4-4250
30	3	XCBSLQ-N4-4370
50	3	XCBSLQ-N4-43100
75	4	XCBSMQ-N4-44175
100	4	XCBSMQ-N4-44200
125	5	XCBSN-N4-45225
150	5	XCBSN-N4-45300
200	5	XCBSN-N4-45400

600 VOLT AC MOTOR - Thermal Magnetic Breaker\*/120V AC Coil

Maximum HP	Nema Size	Catalog Number
2	0	XCBSAQ-N4-6015
5	0	XCBSAQ-N4-6020
10	1	XCBSAQ-N4-6130
25	2	XCBSBQ-N4-6250
30	3	XCBSLQ-N4-6370
50	3	XCBSLQ-N4-63100
75	4	XCBSMQ-N4-64125
100	4	XCBSMQ-N4-64175
125	5	XCBSN-N4-65200
150	5	XCBSN-N4-65225
200	5	XCBSN-N4-65400

480/600 VOLT AC MOTOR - MCP\*/120V AC Coil

Maximum HP	Nema Size	Catalog Number
1	0	XCBSAQ-N4-M6003
2	0	XCBSAQ-N4-M6007
5	0	XCBSAQ-N4-M6015
10	1	XCBSAQ-N4-M6130
25	2	XCBSBQ-N4-M6250
50	3	XCBSLQ-N4-M63100
100	4	XCBSMQ-N4-M64150
200	5	XCBSN-N4-M65400

\* Trip rating is last 2-3 digits of catalog number

**NOTE** Overload Heaters Not Included. See Options

# Combination Motor Starter Enclosures

## Full Voltage Reversing (includes breaker and starter)

### 240 VOLT AC MOTOR - Thermal Magnetic Breaker\*/120V AC Coil

Maximum HP	Nema Size	Catalog Number
2	0	XCMRSG-N4-2015
3	0	XCMRSG-N4-2020
5	1	XCMRSG-N4-2130
7 ½	1	XCMRSG-N4-2150
10	2	XCMRSK-N4-2270
15	2	XCMRSK-N4-22100
20	3	XCMRSP-N4-23100
30	3	XCMRSP-N4-23125

### 480 VOLT AC MOTOR - Thermal Magnetic Breaker\*/120V AC Coil

Maximum HP	Nema Size	Catalog Number
2	0	XCMRSG-N4-4015
5	0	XCMRSG-N4-4020
10	1	XCMRSG-N4-4130
25	2	XCMRSK-N4-4270
40	3	XCMRSP-N4-43100
50	3	XCMRSP-N4-43125

### 600 VOLT AC MOTOR - Thermal Magnetic Breaker\*/120V AC Coil

Maximum HP	Nema Size	Catalog Number
2	0	XCMRSG-N4-6015
5	0	XCMRSG-N4-6020
10	1	XCMRSG-N4-6130
25	2	XCMRSK-N4-6250
50	3	XCMRSP-N4-63100

### 480/600 VOLT AC MOTOR - MCP\*/120V AC Coil

Maximum HP	Nema Size	Catalog Number
1	0	XCMRSG-N4-M6003
2	0	XCMRSG-N4-M6007
5	0	XCMRSG-N4-M6015
10	1	XCMRSG-N4-M6130
25	2	XCMRSK-N4-M6250
50	3	XCMRSP-N4-M63100
100	4	XCMRSP-N4-M64150

**NOTE** Overload Heaters Not Included. See Options

\* Trip rating is last 2-3 digits of catalog number

# Magnetic Starter Enclosures

## Full Voltage (includes starter)

### NON-REVERSING\*/120V AC Coil

Maximum HP @			Nema Size	Catalog Number
240V	480V	600V		
3	5	5	0	XMSB-60
7 ½	10	10	1	XMSB-61
15	25	25	2	XMSD-62
30	50	50	3	XMSH-63
50	100	100	4	XMSH-64
100	200	200	5	XMSQ-65

**NOTES** 1. For Nema 4 applications insert "N4" before number 6  
2. Overload Heaters Not Included. See Options

### REVERSING\*/120V AC Coil

Maximum HP @			Nema Size	Catalog Number
240V	480V	600V		
3	5	5	0	XMRSC-60
7 ½	10	10	1	XMRSC-61
15	25	25	2	XMRSF-62
30	50	50	3	XMRSO-63
50	100	100	4	XMRSO-64

### †NEMA RATED / IEC SIZED

Maximum HP @			Nema Size	Catalog Number
240V	480V	600V		
3	5	5	0	XSIAA0
7 ½	10	10	1	XSIBA1
15	25	25	2	XSICA2
30	50	50	3	XSIDA3

† STD. offering ABB

## Options, Dimensions and Ordering Instructions

OPTIONS AND ACCESSORIES				
Description	Suffix	AVAILABLE ON		
		Combination Starter	Non-Comb Starter	Universal Enclosure Only
Start/Stop Dual Pushbutton (1NO Start, 1NC Stop)	A	.	.	.
Green Start Pushbutton (1NO)	A1	.	.	.
Red Stop Pushbutton (1NC)	A2	.	.	.
Red Stop Pushbutton, Mushroom Head (1NC)	A3	.	.	.
Black Pushbutton (1NO, 1NC)	A4	.	.	.
Auxiliary Switch on Breaker (1A and 1B Contacts)	AS1	.	.	.
Auxiliary Switch on Breaker (2A and 2B Contacts)	AS2	.	.	.
Hand-Off-Auto Selector Switch	B	.	.	.
Selector Switch (2-Position) (1NO, 1NC)	B1	.	.	.
Bell Alarm Switch on Breaker (Specify No. of Contacts)	BA	.	.	.
Pilot Light 120 Volt AC (+See Color Table)	C1*	.	.	.
Pilot Light with Guard 120 Volt AC (+See Color Table)	CG1*	.	.	.
Push-to-Test Light 120 Volt AC (1NO, 1NC) (+See Color Table)	CP1*†	.	.	.
Breather/Drain Installed in Bottom	E\$	.	.	.
Breather and Drain Installed	EE\$	.	.	.
Auxiliary Contacts on Starter (+NO, -NC) (Specify No. of Contacts)	G (+ -)	.	.	.
Time Delay Relay-On Delay (Specify Range)	H1	.	.	.
Time Delay Relay-Off Delay (Specify Range)	H2	.	.	.
8-Point Terminal Strip	K	.	.	.
Lamacoid Nameplate (Specify Legend)	NP	.	.	.
Overload Heaters (Specify Full Load Amps)	OL	.	.	.
Control Relay (Description Required)	R	.	.	.
Space Heater (Specify Wattage)	S	.	.	.
Shunt Trip on Breaker (Specify Voltage)	ST	.	.	.
50 VA Control Transformer 480V Pri, 120V Sec. W/Fuse Block	T1F	.	.	.
100 VA Control Transformer 480V Pri, 120V Sec. W/Fuse Block	T2F	.	.	.
150 VA Control Transformer 480V Pri, 120V Sec. W/Fuse Block	T3F	.	.	.
200 VA Control Transformer 480V Pri, 120V Sec. W/Fuse Block	T4F	.	.	.
250 VA Control Transformer 480V Pri, 120V Sec. W/Fuse Block	T5F	.	.	.
300 VA Control Transformer 480V Pri, 120V Sec. W/Fuse Block	T6F	.	.	.
Other Control Transformer (Specify VA, Pri. And Sec.)	T7	.	.	.
Undervoltage Release on Breaker (Specify Voltage Rating)	UV	.	.	.
Internal Control Wiring	W	.	.	.
Other (Specify)	Z	.	.	.

## COLOR TABLE

R-Red  
G-Green  
A-Amber  
B-Blue  
C-Clear  
W-White

† Not available in Group B applications.  
\$ for Group B applications add 'H' to suffix

## ORDERING INSTRUCTIONS

To order any motor control product, use the catalog number followed by the suffix numbers separated by dashes.

## Example: XCBSAQ-N4-4130-A-C1R

Combination starter with 480 volt, 30 amp thermal magnetic breaker, NEMA size 1 starter with 120 volt AC coil, start/stop dual pushbutton installed in cover, red 120 volt pilot light installed in cover.

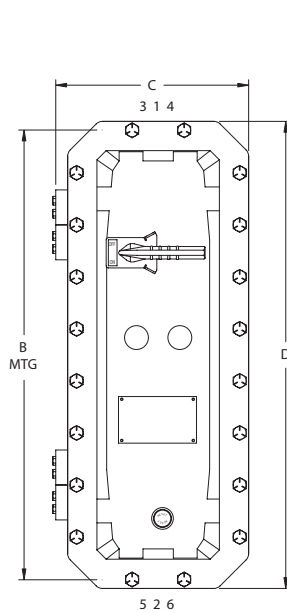


FIGURE A

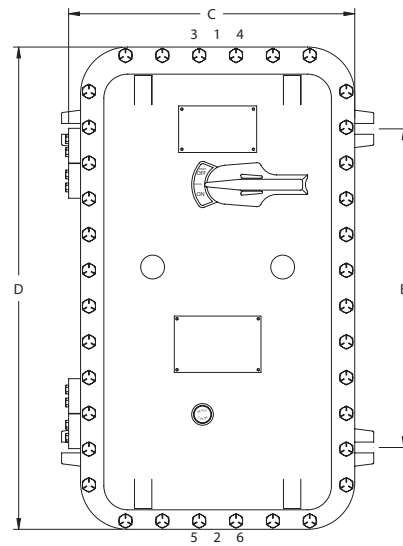


FIGURE B

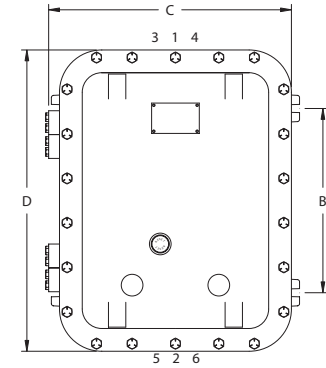


FIGURE C

NOMINAL DIMENSIONS													
Enclosure	Fig #	Nominal Inside Dimensions			Nominal Dimensions in Inches							Ship Weight (lbs.)	Conduit Size
		W	L	D	A	B	C	D	E	F	G		
*XCBSAQ-N4	A	6	23	5	4 1/8	25 1/2	11 1/8	26 15/16	9 1/16	2 1/2	3 & 5	61	1 1/2
*XCBSBQ-N4	A	7	27	6	4 3/4	29 7/8	11 13/16	31 1/8	10 1/2	2 13/16	3 & 5	87	1 1/2
XCBSLQ-N4	B	12	24	8	15 3/4	18 3/8	16 15/16	28 1/4	12 15/16	3	3 & 5	160	2
XCBSMQ-N4	B	12	36	8	15 3/4	29	16 15/16	40 1/4	13 3/8	3 5/8	3 & 5	260	2 1/2
XCBSN-N4	B	16	46	10	19 3/4	39	21 3/4	50 7/8	16 7/16	4 7/8	3 & 5	420	4
XCMRSG-N4	B	12	18	8	15 3/4	14 1/8	17	22 1/4	12 3/8	2 13/16	3 & 6	100	1 1/4
XCMRSK-N4	B	12	24	6	15 3/4	18 3/8	17	28 1/4	10 15/16	3 3/16	3 & 5	130	2
XCMRSP-N4	B	18	36	8	21 3/4	29	23 3/4	40 7/8	14 3/4	4 1/8	3 & 5	395	2
XMSB	C	8	10	6	10 3/4	6 1/2	12	13 3/8	8 1/4	2 3/8	3 & 6	36	1
XMSD	C	10	14	6	13	10 5/8	14	17 3/8	8 3/8	2 3/4	3 & 6	55	1 1/2
XMSH	C	12	18	8	15 3/4	14 1/8	17	22 1/4	10 3/4	3 1/2	3 & 6	105	2 1/2
XMSQ	C	18	36	10	21 3/4	29	23 3/4	40 7/8	14 7/8	4 5/16	3 & 6	380	3
*XMRSC	C	10	14	6	10 3/8	13	18	13 3/8	8 3/8	2 1/4	3 & 5	55	1
*XMRSF	C	12	12	6	8 3/8	15 3/4	17	16 1/4	8 15/16	3	3 & 6	85	1 1/2
*XMRSO	C	18	18	8	13	21 3/4	23 3/4	22 7/16	12 7/16	3 3/8	3 & 6	190	2 1/2

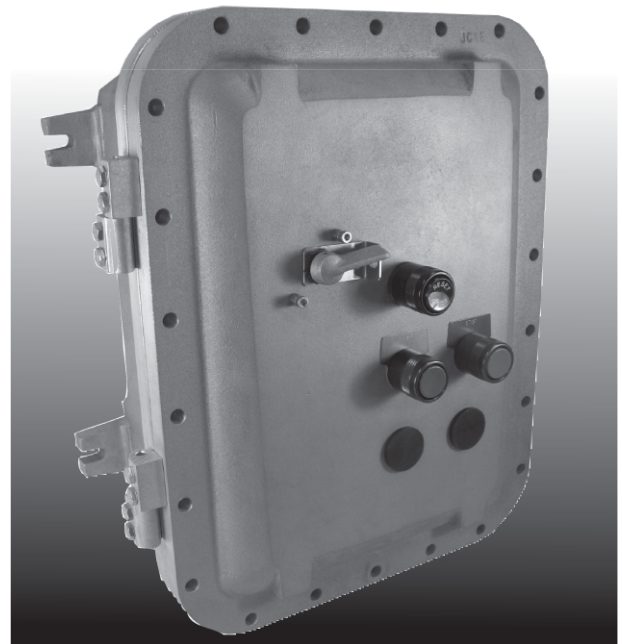
Standard conduit openings at locations 1 and 2, control circuit opening 3/4" NPT at locations shown in column "G".  
Each housing has one 1/2" NPT top & bottom for breather and drain.

\* Mounting feet on top and bottom.

# Explosionproof Combination Motor Starters

## **STANDARD FEATURES**

- Eleven models available
- Universal enclosure for Size 0 to Size 3 explosionproof combination starters
- Watertight gasket
- Hinged cover
- Disconnect handle
- Start & stop pushbuttons
- Mechanical reset button
- Drilled & tapped conduit entries
- Stainless Steel Cover Bolts Combo Starter
- 100VA Transformer
- (2) plugged ¾" NPSM (for future use)
- Wiring and standard conduit entries
- Two separate sets of current limiting main contacts provides protection against damage under fault conditions
- Available in both AC and DC, full voltage non-reversing and full voltage reversing models up to 42 amps continuous current



## **MATERIALS**

- FVNR versions are mounted on standard 35mm DIN rail
- FVR versions are supplied with factory mounted and wired disconnect and mechanically interlocked contractors

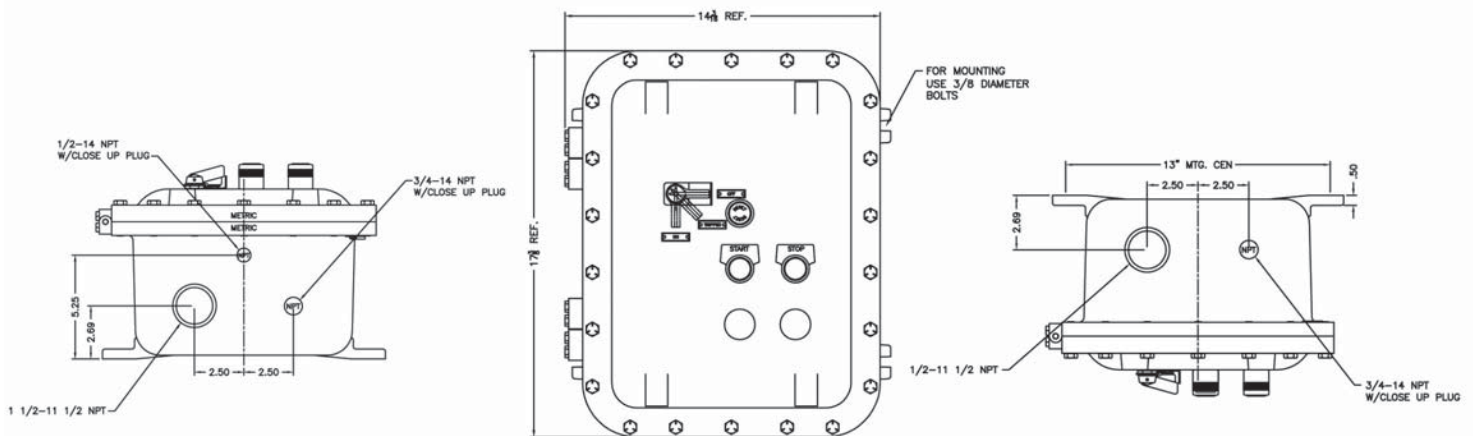
## **CERTIFICATIONS**

Class I, Division 1, Gas Group D  
 Class II, Division 1, Gas Groups EFG  
 Class III  
 Type 4X, 7, 9

UL 1203  
 CSA C22.2 No. 30  
 UL 50







### Trip Module with HAND - AUTO Feature

Catalog Number	Adjustable Thermal Range set to Motor FLC (1)	Adjustable Trip Setting Current of Magnetic Trips (1)	"Typical" Maximum Horsepower Typical Three Phase [HP]				Auxiliary Contacts	
			200V	240V	480V	600V	NO	NC
XCE 101406-N4-PK2-0.6	0.4 - 0.6	5 - 8	See Note Below				1	1
XCE 101406-N4-PK2-1	0.6 - 1	8 - 14	See Note Below	1/2	1/2	1	1	
XCE 101406-N4-PK2-1.6	1 - 1.6	14 - 22	See Note Below	3/4	1	1	1	
XCE 101406-N4-PK2-2.4	1.6 - 2.4	20 - 35	1/2	1/2	1	1-1/2	1	1
XCE 101406-N4-PK2-4	2.4 - 4	35 - 55	1	1	2	3	1	1
XCE 101406-N4-PK2-6	4 - 6	50 - 80	1-1/2	1-1/2	3	5	1	1
XCE 101406-N4-PK2-10	6 - 10	80 - 140	2	3	5	7-1/2	1	1
XCE 101406-N4-PK2-16	10 - 16	130 - 220	3	5	10	10	1	1
XCE 101406-N4-PK2-25	16 - 25	200 - 350	7-1/2	7-1/2	20	25	1	1
XCE 101406-N4-PK2-32	24 - 32	275 - 425	10	10	20	-	1	1
XCE 101406-N4-PK2-40	32 - 42	350 - 500	10	15	30	-	1	1

\* - Horsepower ratings shown in the table are for reference only.

The final selection of the manual starter depends on the actual motor full load current and service factor on the motor nameplate.

Overload should be set at motor FLA full load current and is calibrated to 1.15 S.F.

Specified values to NEC table 430-150.

(1) - All Types have adjustable dial for setting motor full load current. Trip current is 125% of set value. For motors with a service factor (SF) of 1.0, set dial to 90% of motor full load current.

# IEC MOTOR CONTROL

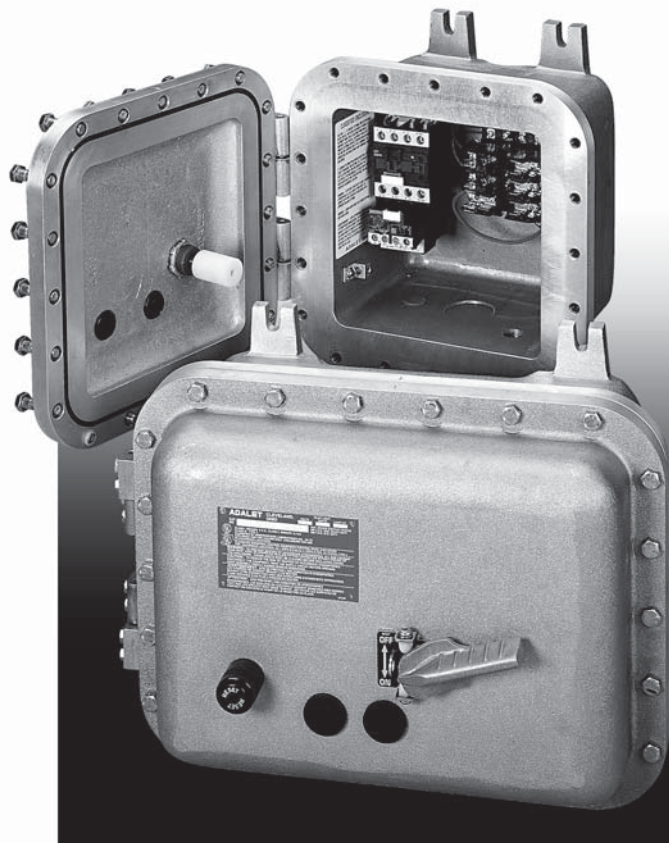
## IEC Motor Control

### STANDARD FEATURES

- Explosionproof enclosures suitable for housing IEC (International Electrotechnical Commission) style motor starters and combination starters
- Design options include: pushbutton and switch operators, pilot lights, push-to-test lights, breather/drains, auxiliary contacts, Lamacold™ nameplates, and control transformers with fuse blocks.
- Sizes from 8" x 8" x 4" up to 12" x 18" x 6"
- Enclosures are classified by UL/cUL as to explosion and fire hazards.

### CERTIFICATIONS

Class I, Groups B, C, D  
Class II, Groups E, F, G  
TYPE 4



### NEMA Rated - IEC Size Motor Starters-Starters Included

FOR ABB COMPONENTS			
Catalog Number	Enclosure Size	Amp Rating	HP @ 480V
XSIAA9	XCE 080804	9	5
XSIAA11	XCE 080804	11	7.5
XSIAA17	XCE 080804	17	10
XSICA28	XCE 101006	28	20
XSICA32	XCE 101006	32	25
XSICA41	XCE 101006	41	30
XSICA54	XCE 101006	54	40
XSIDA65	XCE 101206	65	50
XSIDA80	XCE 101206	80	60
XSIEA110	XCE 121806	110	75

### NEMA Rated - IEC Size Combination Motor Starters-Components Included

FOR ABB COMPONENTS			
Catalog Number	Enclosure Size	Amp Rating	HP @ 480V
XCIAA9	XCE 1014D6	9	5
XCIAA11	XCE 1014D6	11	7.5
XCIAA17	XCE 1014D6	17	10
XCIAA28	XCE 1014D6	28	20
XCIAA32	XCE 1014D6	32	25
XCIAA41	XCE 1014D6	41	30
XCIAA54	XCE 1014D6	54	40
XCIAA65	XCE 1014D6	65	50
XCIBA80	XCE 121806	80	60
XCIBA110	XCE 122406	110	75



## IEC Motor Control

### NEMA Rated - IEC Size Motor Starters-Starters Included

FOR CUTLER-HAMMER COMPONENTS			
Catalog Number	Enclosure Size	Amp Rating	HP @ 480V
XSIAH10	XCE 080804	9	5
XSIAH18	XCE 080804	18	10
XSIAH25	XCE 080804	25	15
XSICH32	XCE 101006	32	20
XSICH40	XCE 101006	40	30
XSICH50	XCE 101006	50	40
XSIDH60	XCE 101206	60	50

FOR SIEMENS COMPONENTS			
Catalog Number	Enclosure Size	Amp Rating	HP @ 480V
XSIAS9	XCE 080804	9	5
XSIAS12	XCE 080804	12	7.5
XSIAS17	XCE 080804	17	10
XSIAS25	XCE 080804	25	15
XSICS28	XCE 101006	28	20
XSICS32	XCE 101006	32	25
XSICS40	XCE 101006	40	30
XSICS50	XCE 101006	50	40
XSIDS65	XCE 101206	65	50
XSIDS80	XCE 101206	80	60
XSIDS95	XCE 101206	95	75

FOR SQUARE D COMPONENTS			
Catalog Number	Enclosure Size	Amp Rating	HP @ 480V
XSIAD9	XCE 080804	9	5
XSIAD12	XCE 080804	12	7.5
XSIAD18	XCE 080804	18	10
XSIBD25	XCE 080806	25	15
XSIBD32	XCE 080806	32	20
XSICD40	XCE 101006	40	30
XSICD50	XCE 101006	50	40
XSIDD65	XCE 101206	65	50
XSIDD80	XCE 101206	80	60

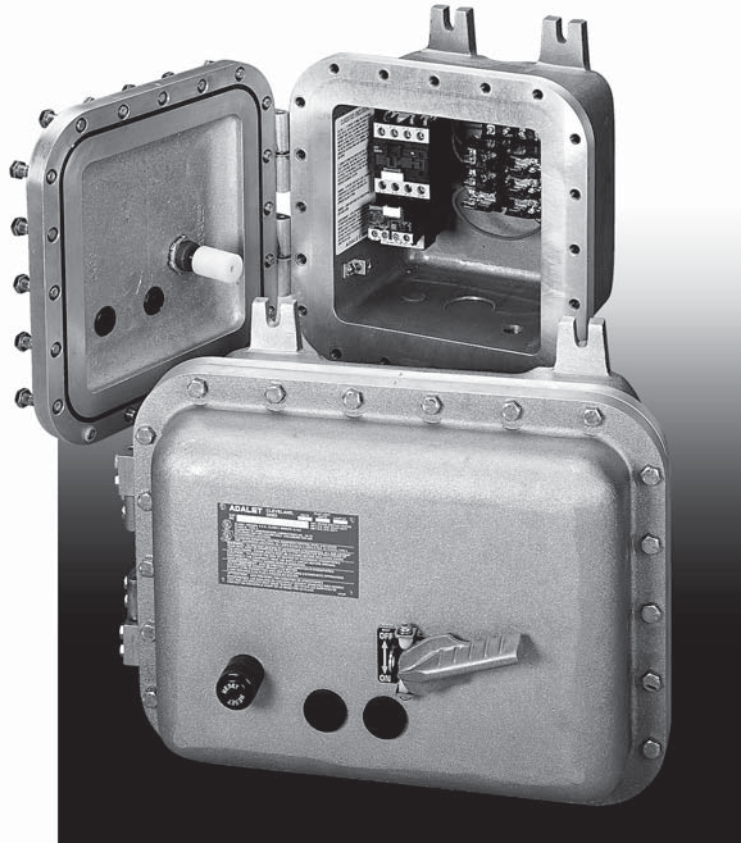
### NEMA Rated - IEC Size Combination Motor Starters-Components Included

FOR CUTLER-HAMMER COMPONENTS			
Catalog Number	Enclosure Size	Amp Rating	HP @ 480V
XCIAH10	XCE 1014D6	9	5
XCIAH18	XCE 1014D6	18	10
XCIAH25	XCE 1014D6	25	15
XCIAH32	XCE 1014D6	32	20
XCIAH40	XCE 1014D6	44	30
XCIAH50	XCE 1014D6	50	40
XCIAH60	XCE 1014D6	60	50

FOR SIEMENS COMPONENTS			
Catalog Number	Enclosure Size	Amp Rating	HP @ 480V
XCIA59	XCE 1014D6	9	5
XCIA512	XCE 1014D6	12	7.5
XCIA517	XCE 1014D6	17	10
XCIA525	XCE 1014D6	25	15
XCIA528	XCE 1014D6	28	20
XCIA532	XCE 1014D6	32	25
XCIA540	XCE 1014D6	40	30
XCIA550	XCE 1014D6	50	40
XCIBS65	XCE 121806	65	50
XCIBS80	XCE 121806	80	60
XCIBS95	XCE 122408	95	75

FOR SQUARE D COMPONENTS			
Catalog Number	Enclosure Size	Amp Rating	HP @ 480V
XCIAD9	XCE 1014D6	9	5
XCIAD12	XCE 1014D6	12	7.5
XCIAD18	XCE 1014D6	18	10
XCIAD25	XCE 1014D6	25	15
XCIAD32	XCE 1014D6	32	20
XCIAD40	XCE 1014D6	40	30
XCIAD50	XCE 1014D6	50	40
XCIAD65	XCE 1014D6	65	50
XCIBD80	XCE 121806	80	60

## IEC MOTOR CONTROL

IEC Motor Control  
Enclosures OnlyNEMA Rated - IEC Size  
Motor Starters-Enclosures Only

## FOR ABB COMPONENTS

Catalog Number	Enclosure Size	Amp Rating	HP @ 480V
XSIAA	XCE 080804	9	5
XSIAA	XCE 080804	11	7.5
XSIAA	XCE 080804	17	10
XSICA	XCE 101006	28	20
XSICA	XCE 101006	32	25
XSICA	XCE 101006	41	30
XSICA	XCE 101006	54	40
XSIDA	XCE 101206	65	50
XSIDA	XCE 101206	80	60
XSIEA	XCE 121806	110	75

NEMA Rated - IEC Size  
Combination Motor Starters-Enclosures Only

## FOR ABB COMPONENTS

Catalog Number	Enclosure Size	Amp Rating	HP @ 480V
XCIAA	XCE 1014D6	9	5
XCIAA	XCE 1014D6	11	7.5
XCIAA	XCE 1014D6	17	10
XCIAA	XCE 1014D6	28	20
XCIAA	XCE 1014D6	32	25
XCIAA	XCE 1014D6	41	30
XCIAA	XCE 1014D6	54	40
XCIAA	XCE 1014D6	65	50
XCIBA	XCE 121806	80	60
XCIBA	XCE 122406	110	75

## Certifications

Class I, Groups B, C, D  
Class II, Groups E, F, G  
TYPE 4



## IEC Motor Control - Enclosures Only

NEMA Rated - IEC Size  
Motor Starters-Enclosures Only

FOR CUTLER-HAMMER COMPONENTS			
Catalog Number	Enclosure Size	Amp Rating	HP @ 480V
XSIAH	XCE 080804	9	5
XSIAH	XCE 080804	18	10
XSIAH	XCE 080804	25	15
XSICH	XCE 101006	32	20
XSICH	XCE 101006	44	30
XSICH	XCE 101006	50	40
XSIDH	XCE 101206	60	50

NEMA Rated - IEC Size  
Combination Motor Starters-Enclosures Only

FOR CUTLER-HAMMER COMPONENTS			
Catalog Number	Enclosure Size	Amp Rating	HP @ 480V
XCIAH	XCE 1014D6	9	5
XCIAH	XCE 1014D6	18	10
XCIAH	XCE 1014D6	25	15
XCIAH	XCE 1014D6	32	20
XCIAH	XCE 1014D6	40	30
XCIAH	XCE 1014D6	50	40
XCIAH	XCE 1014D6	60	50

FOR SIEMENS COMPONENTS			
Catalog Number	Enclosure Size	Amp Rating	HP @ 480V
XSIAS	XCE 080804	9	5
XSIAS	XCE 080804	12	7.5
XSIAS	XCE 080804	17	10
XSIAS	XCE 080804	25	15
XSICS	XCE 101006	28	20
XSICS	XCE 101006	32	25
XSICS	XCE 101006	40	30
XSICS	XCE 101006	50	40
XSIDS	XCE 101206	65	50
XSIDS	XCE 101206	80	60
XSIDS	XCE 101206	95	75

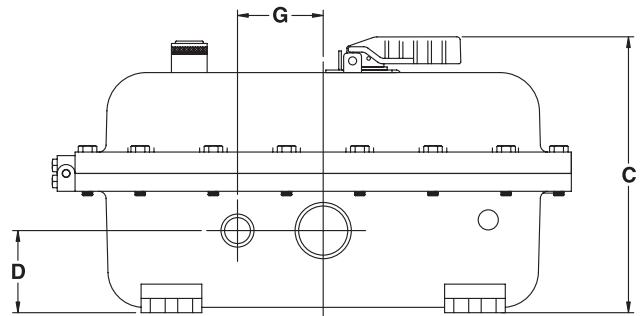
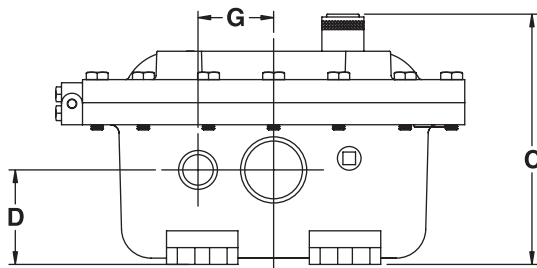
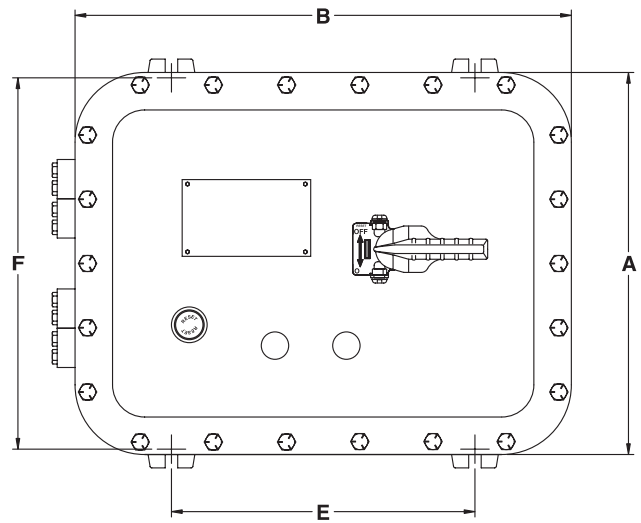
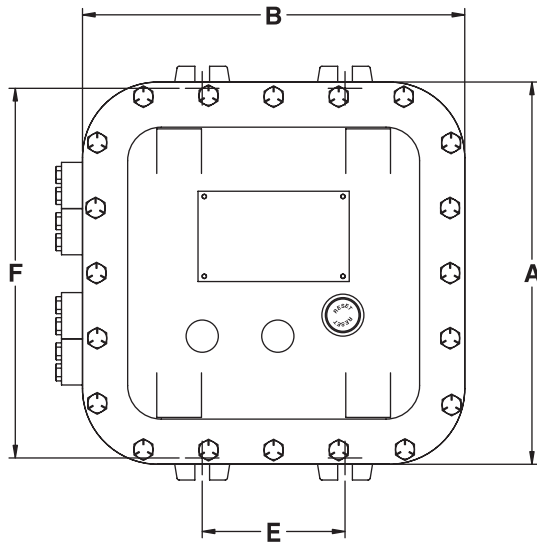
FOR SIEMENS COMPONENTS			
Catalog Number	Enclosure Size	Amp Rating	HP @ 480V
XCIAS	XCE 1014D6	9	5
XCIAS	XCE 1014D6	12	7.5
XCIAS	XCE 1014D6	17	10
XCIAS	XCE 1014D6	25	15
XCIAS	XCE 1014D6	28	20
XCIAS	XCE 1014D6	32	25
XCIAS	XCE 1014D6	40	30
XCIAS	XCE 1014D6	50	40
XCIBS	XCE 121806	65	50
XCIBS	XCE 121806	80	60
XCIBS	XCE 122408	95	75

FOR SQUARE D COMPONENTS			
Catalog Number	Enclosure Size	Amp Rating	HP @ 480V
XSIAD	XCE 080804	9	5
XSIAD	XCE 080804	12	7.5
XSIAD	XCE 080804	18	10
XSIBD	XCE 080806	25	15
XSIBD	XCE 080806	32	20
XSICD	XCE 101006	40	30
XSICD	XCE 101006	50	40
XSIDD	XCE 101206	65	50
XSIDD	XCE 101206	80	60

FOR SQUARE D COMPONENTS			
Catalog Number	Enclosure Size	Amp Rating	HP @ 480V
XCIAD	XCE 1014D6	9	5
XCIAD	XCE 1014D6	12	7.5
XCIAD	XCE 1014D6	18	10
XCIAD	XCE 1014D6	25	15
XCIAD	XCE 1014D6	32	20
XCIAD	XCE 1014D6	40	30
XCIAD	XCE 1014D6	50	40
XCIAD	XCE 1014D6	65	50
XCIBD	XCE 121806	80	60

# IEC MOTOR CONTROL

## IEC Motor Control Options & Dimensions



Starters Diagram

Combination Diagram

# IEC Motor Control

## Options & Dimensions

### DIMENSIONS

Cat. #	Type	Base Enclosure Size			Overall Dimensions			MTG. E	MTG. E	MTG. Bolt	Conduit D	Location G	Conduit Size	Ship Weight (lbs.)
		W	L	D	A	B	C							
XSIA	Starter	8	8	4	11.38	11.38	7.75	4.25	11	3/8	2.81	2.25	1 1/2	26
XSIB	Starter	8	8	6	11.38	11.38	9.75	4.25	11	3/8	3.81	2.25	1 1/2	30
XSIC	Starter	10	10	6	13.38	13.38	9.62	6.5	13	3/8	3.88	2.50	2	46
XSID	Starter	10	12	6	13.38	15.38	10.25	8.5	13.25	3/8	4.13	2.5	2	48
XSIE	Starter	10	14	6	13.38	17.38	9.75	10.62	13.25	3/8	2.88	2.5	2	51
XCIA	Combination	10	14	6	13.38	17.38	9.75	10.62	13.25	3/8	2.88	3.0	1 1/2	51
XCIB	Combination	12	18	6	16.25	22.25	10.12	14.12	15.75	1/2	4.00	3.0	2	95

### OPTIONS

Description	Suffix	AVAILABLE ON		
		Combination Starter	Non-Comb Starter	Universal Enclosure Only
Start/Stop Dual Pushbutton (1NO Start, 1NC Stop)	A	•	•	•
Green Start Pushbutton (1NO)	A1	•	•	•
Red Stop Pushbutton (1NC)	A2	•	•	•
Red Stop Pushbutton, Mushroom Head (1NC)	A3	•	•	•
Black Pushbutton (1NO, 1NC)	A4	•	•	•
Hand-Off-Auto Selector Switch	B	•	•	•
Selector Switch (2-Position) (1NO, 1NC)	B1	•	•	•
Pilot Light 120 Volt AC (*See Color Table)	C1*	•	•	•
Pilot Light with Guard 120 Volt AC (*See Color Table)	CG1*	•	•	•
Push-to-Test Light 120 Volt AC (1NO, 1NC) (*See Color Table)	CP1*†	•	•	•
Breather/Drain Installed in Bottom	E	•	•	•
Breather and Drain Installed	EE	•	•	•
Auxiliary Contacts on Starter (+NO,-NC) (Specify No. of Contacts)	G(+ -)	•	•	•
Lamacold Nameplate (Specify Legend)	NP	•	•	•
50 VA Control Transformer 480V Pri, 120V Sec. W/Fuse Block	T1F	•	•	•
100 VA Control Transformer 480V Pri, 120V Sec. W/Fuse Block	T2F	•	•	•
150 VA Control Transformer 480V Pri, 120 V Sec. W/Fuse Block	T3F	•	•	•
200 VA Control Transformer 480V Pri, 120V Sec. W/Fuse Block	T4F	•	•	•

† Not available in Group B applications.

### COLOR TABLE

R-Red	B-Blue
G-Green	C-Clear
A-Amber	W-White



# MOTOR STARTER

## Explosionproof Motor Starter/Protector

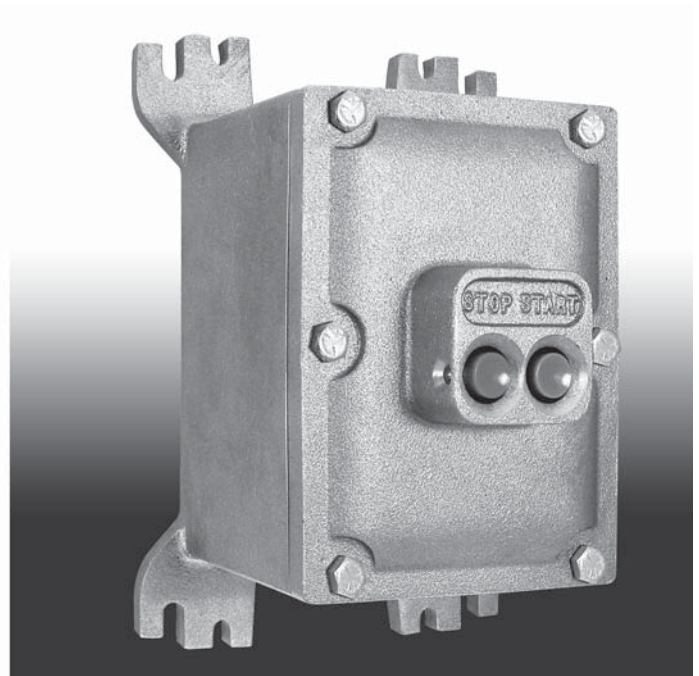
### STANDARD FEATURES

#### Enclosure:

- Versatile mounting footprint makes installation in any application fast and easy
- Lightweight, corrosion resistant, copper-free aluminum alloy body (0.3% max. copper content)
- Red and green pushbuttons for easy start/stop operation
- Bolted flange design provides clear access to internal components
- Durable cast-on lugs cannot get lost
- Watertight 'O' ring for NEMA 4X applications

#### Motor Starter:

- Cutler Hammer Type XTPB Manual Motor Starter
- Range of sizes up to 25 amps
- Easy to operate pushbutton actuation
- Current setting dial
- Phase loss protection
- Snap-on accessories



### CERTIFICATIONS

Class I, Groups C, D  
 Class II, Groups E, F, G  
 UL Standard 1203 (Classified)  
 CSA Standard C22.2 No. 30  
 NEMA: 7CD, 9EFG



## Part Number Build

Part # XIFC040604 N4 15021 1 AC

Base Catalog Number \_\_\_\_\_

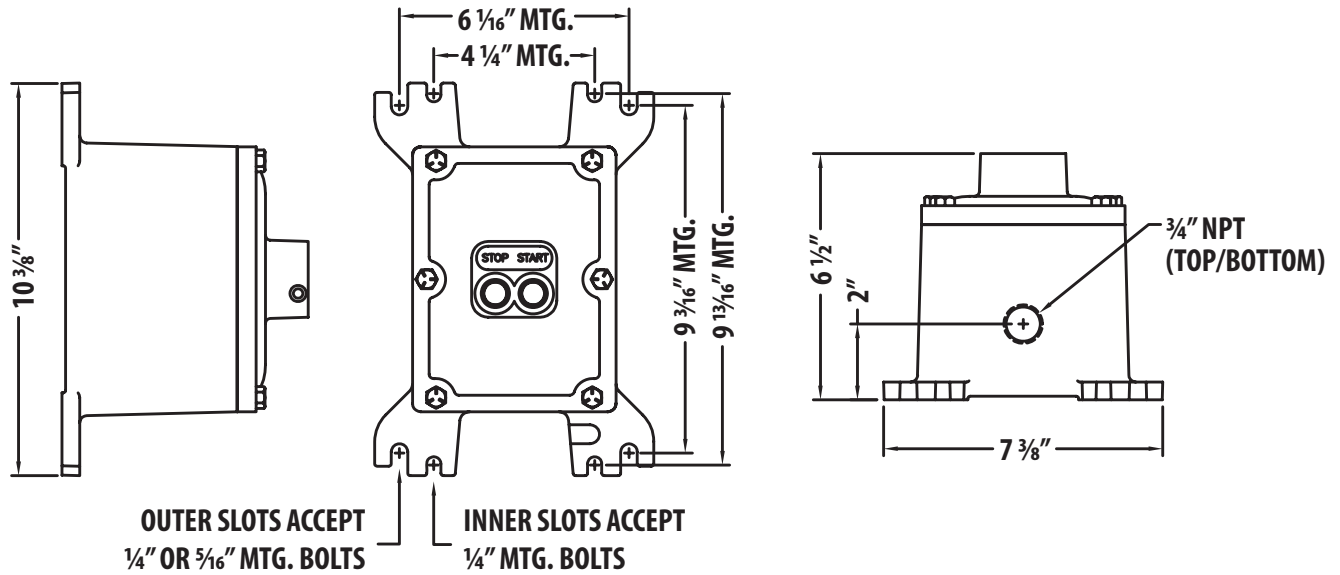
Starter Type Suffix \_\_\_\_\_

Options \_\_\_\_\_

- Auxiliary Contacts (1NO, 1NC) - AC
- Shunt Trip - ST1
- Under Voltage Release - UV1
- Breather/Drain Installed in Bottom - EE
- Lockout Device on Pushbutton - LD



# MOTOR STARTER



Maximum Motor Ratings					Maximum UL Horsepower				Rated Uninterrupted Current	Current Range	Magnetic Release	Starter Part #	Suffix
3-Phase (Max kW rating)					3-Phase								
220-240V	380-415V	440V	500V	660-690V	200V	240V	480V	600V					
-	-	-	-	-	-	-	-	-	-	-	-	NO STARTER	NS
-	-	-	-	.06	*	*	*	*	.16	0.10 - 0.16	2.2	XTPBP16BC1	1
-	.06	.06	.06	.12	*	*	*	*	.25	0.16 - 0.25	3.5	XTPBP25BC1	2
.06	.12	.18	.25	.25	*	*	*	*	.4	0.25 - 0.4	5.6	XTPBP40BC1	3
.09	.25	.25	.37	.55	*	*	1/2	1/2	.63	0.4 - 0.63	8.8	XTPBP63BC1	4
.12	.25	.25	.37	.55	*	*	1/2	1/2	1	0.63 - 1	14	XTPB001BC1	5
.25	.55	.55	.75	1.1	*	*	3/4	1	1.6	1 - 1.6	22	XTPB1P6BC1	6
.37	.75	1.1	1.1	1.5	1/2	1/2	1	1 1/2	2.5	1.6 - 2.5	35	XTPB2P5BC1	7
.75	1.5	1.5	2.2	3	1	1	2	3	4	2.5 - 4	56	XTPB004BC1	8
1.1	2.2	3	3	4	1 1/2	1 1/2	3	5	6.3	4 - 6.3	88	XTPB6P3BC1	9
2.2	4	4	4	7.5	3	3	7 1/2	10	10	6.3 - 10	140	XTPB010BC1	10
4	7.5	9	9	12.5	3	5	10	10	16	10 - 16	224	XTPB016BC1	11
5.5	9	11	12.5	15	5	5	10	15	20	16 - 20	280	XTPB020BC1	12
5.5	12.5	12.5	15	22	5	7 1/2	15	20	25	20 - 25	350	XTPB025BC1	13

\*In this range, calculate motor rating according to rated current. Specified values to NEC Table 430.250.

# SWITCH RACK

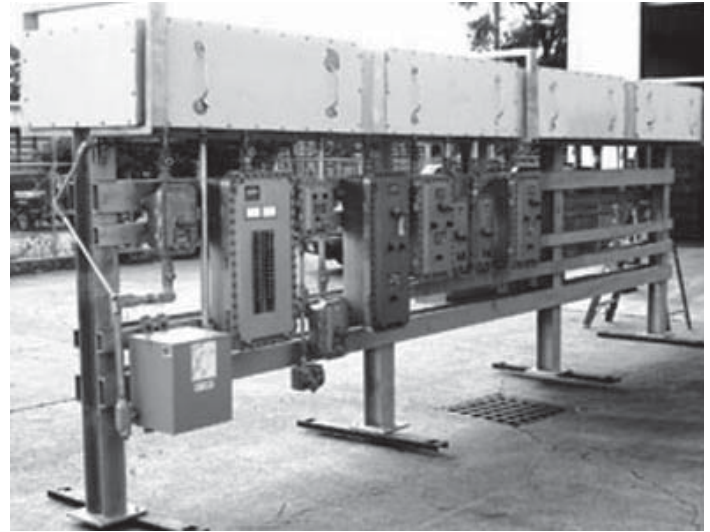
## Switch Rack Assemblies

### **FEATURES**

- Wide variety of explosionproof motor control assemblies and panelboards
- Rugged frame and canopy options provide heavy duty protection and construction
- Single or double sided assemblies available in single or double rows
- Pre-drilled bus boxes provide ease of changes or additional components
- Premium, high strength stainless steel cover bolts
- Standard drawings of complete switchrack design provides detail on all enclosures, frame, canopy, and wiring

### **MATERIALS**

- All welded construction - sheet aluminum, stainless steel or sheet metal
- Rack Frame - hot dipped galvanized, structural steel
- Optional corrosion resistant primer and epoxy coating



### **CERTIFICATIONS**

Class I, Division 1, Gas Groups B, C, D  
 Class II, Division 2, Gas Groups EFG  
 Class III  
 NEMA 4, 4X, 7BCD, 9EFG



## SWITCH RACK

**Customer Information**

Date: \_\_\_\_\_ Customer: \_\_\_\_\_

Location: \_\_\_\_\_ Project Name: \_\_\_\_\_

Contact Phone: \_\_\_\_\_ Contact email: \_\_\_\_\_

**Area Classification for Enclosures:****Hazardous:**

Class: \_\_\_\_\_, Division: \_\_\_\_\_

Group: \_\_\_\_\_

**Non-Hazardous:**

Ordinary Locations: \_\_\_\_\_

NEMA 3R / 4 / 4X (circle one)

**Switchrack Structural Frame:**

\_\_\_\_\_ Steel — Hot Dipped Galvanized

\_\_\_\_\_ Aluminum, not finished

\_\_\_\_\_ Channel Feet Square Feet

\_\_\_\_\_ Double Row Single Row

\_\_\_\_\_ Double Sided Single Sided

**Canopy:**

\_\_\_\_\_ Painted Steel

\_\_\_\_\_ Galvanized Steel

**Roof Material: Corrugated**

Canopy and light fixtures will ship loose, due to height restrictions on motor transport.

\_\_\_\_\_ Galvanized Steel

\_\_\_\_\_ Aluminum

**Rigid Conduit and Fittings:**

\_\_\_\_\_ Galvanized Steel

\_\_\_\_\_ Aluminum

\_\_\_\_\_ PVC Coated

\_\_\_\_\_ Non-Drain Type

\_\_\_\_\_ Drain Type

**Incoming Power Supply:**

\_\_\_\_\_ Volts \_\_\_\_\_ Phase \_\_\_\_\_ Wire \_\_\_\_\_ Hz

**Bus Duct:**

\_\_\_\_\_ Painted Steel

\_\_\_\_\_ Galvanized Steel

\_\_\_\_\_ Aluminum

\_\_\_\_\_ Stainless Steel

**Single Bus:**

\_\_\_\_\_ Dual Access \_\_\_\_\_ Single Access

**Dual Bus:**

\_\_\_\_\_ One Busduct \_\_\_\_\_ Two Busducts

**Bus Bar Modifications:**

\_\_\_\_\_ Silver Plated \_\_\_\_\_ Tin Plated

Optional Equipment: Provide detailed information.

Motor Starters: \_\_\_\_\_

Lighting: \_\_\_\_\_

Breakers: \_\_\_\_\_

Transformers: \_\_\_\_\_

Receptacles: \_\_\_\_\_

Ground Indicators: \_\_\_\_\_

Panelboards: \_\_\_\_\_

Control Stations: \_\_\_\_\_

Disconnect Switches: \_\_\_\_\_

**FAX BACK QUOTE FORM**

To receive an equipment quotation, please complete the information sections on this page and fax it to 216.267.1681









**TAB**



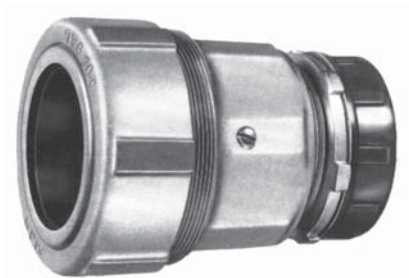
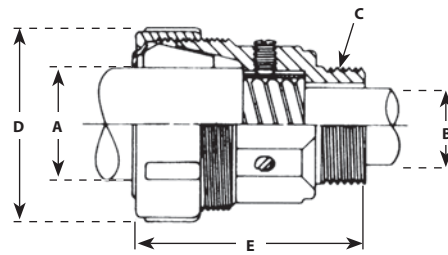


# FITTINGS

## Jacket Over Armor

### FEATURES

- Slip-on design with no disassembly for easy installation
- Neoprene bushing for raintight seal
- Locknuts, bushings and flange gasket included – no additional materials to purchase
- Flange gasket prevents moisture penetration through threads
- Made from copper-free aluminum alloy for corrosion resistance
- Fits broad range – .351-4.62 cable O.D.
- Determine satisfactory fit by checking cable dimensions A and B. If cable dimensions do not fall within acceptable range, consult factory.



Cable Accessories

### Certifications



## Jacket Over Armor

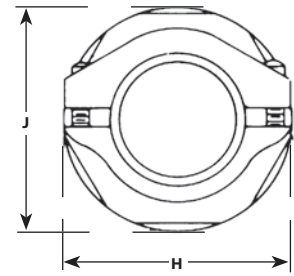
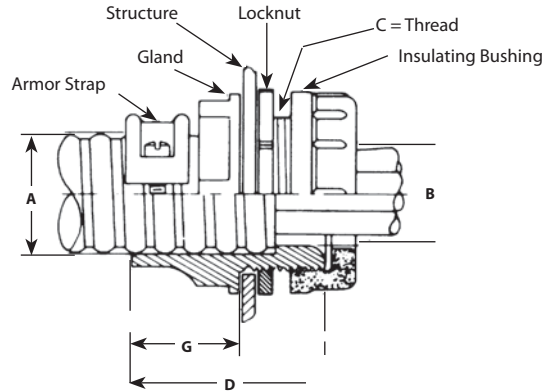
Catalog Number	Dia. over Jacket <b>A</b>		Max Cable Core Dia. <b>B</b>	Conduit Size <b>C</b>	Fitting O.D. <b>D</b>	Length Overall <b>E</b>	Ship Weight (lbs.)
	Min.	Max.					
JAG 45-05	.35	.45	.61	½	1 ⅝	2 ¼	¼
JAG 55-05	.45	.55	.61	½	1 ⅝	2 ¼	¼
JAG 65-05	.55	.65	.61	½	1 ⅝	2 ¼	¼
JAG 75-05	.65	.75	.61	½	1 ⅝	2 ¼	¼
JAG 85-05	.75	.85	.61	½	1 ⅝	2 ¼	¼
JAG 95-05	.85	.95	.61	½	1 ⅝	2 ¼	¼
JAG 99-07	.85	.99	.81	¾	2	2 ⅝	1/3
JAG 107-07	.92	1.07	.81	¾	2	2 ⅝	1/3
JAG 113-07	.98	1.13	.81	¾	2	2 ⅝	1/3
JAG 121-07	1.07	1.21	.81	¾	2	2 ⅝	1/3
JAG 112-10	1.00	1.12	1.00	1	2 ⅜	3 ⅛	½
JAG 125-10	1.12	1.25	1.00	1	2 ⅜	3 ⅛	½
JAG 138-10	1.22	1.38	1.00	1	2 ⅜	3 ⅛	½
JAG 138-12	1.28	1.38	1.25	1 ¼	2 ⅞	3 ⅜	2/3
JAG 156-12	1.38	1.56	1.25	1 ¼	2 ⅞	3 ⅜	2/3
JAG 174-12	1.56	1.74	1.25	1 ¼	2 ⅞	3 ⅜	2/3
JAG 188-12	1.74	1.88	1.25	1 ¼	2 ⅞	3 ⅜	2/3
JAG 174-15	1.60	1.74	1.63	1 ½	3 ¼	4 ⅛	1
JAG 188-15	1.74	1.88	1.63	1 ½	3 ¼	4 ⅛	1
JAG 200-15	1.88	2.00	1.63	1 ½	3 ¼	4 ⅛	1
JAG 218-15	2.00	2.18	1.63	1 ½	3 ¼	4 ⅛	1
JAG 219-20	2.05	2.19	2.09	2	4	4 ⅝	1 ½
JAG 236-20	2.19	2.36	2.09	2	4	4 ⅝	1 ½
JAG 247-20	2.35	2.47	2.09	2	4	4 ⅝	1 ½
JAG 261-20	2.47	2.61	2.09	2	4	4 ⅝	1 ½
JAG 263-25	2.46	2.63	2.49	2 ½	4 ⅜	5 ⅞	2 ½
JAG 280-25	2.62	2.80	2.49	2 ½	4 ⅜	5 ⅞	2 ½
JAG 296-25	2.80	2.96	2.49	2 ½	4 ⅜	5 ⅞	2 ½
JAG 297-30	2.80	2.97	3.11	3	5 ⅜	5 ¾	3
JAG 311-30	2.95	3.11	3.11	3	5 ⅜	5 ¾	3
JAG 327-30	3.10	3.27	3.11	3	5 ⅜	5 ¾	3
JAG 343-30	3.26	3.43	3.11	3	5 ⅜	5 ¾	3
JAG 359-30	3.42	3.59	3.11	3	5 ⅜	5 ¾	3
JAG 375-35	3.58	3.75	3.61	3 ½	5 1 ⅛	5 13 ⅛	3 ¼
JAG 392-35	3.75	3.92	3.61	3 ½	5 1 ⅛	5 13 ⅛	3 ¼
JAG 412-35	3.92	4.12	3.61	3 ½	5 1 ⅛	5 13 ⅛	3 ¼
JAG 423-40	4.06	4.23	4.11	4	6 ⅜	5 13 ⅛	3 ½
JAG 437-40	4.20	4.37	4.11	4	6 ⅜	5 13 ⅛	3 ½
JAG 451-40	4.34	4.51	4.11	4	6 ⅜	5 13 ⅛	3 ½
JAG 462-40	4.43	4.62	4.11	4	6 ⅜	5 13 ⅛	3 ½

# FITTINGS

## Unjacketed Armor Dry Location

### FEATURES

- Wide armor range – sizes on .200 intervals
- Raised boss in strap offers excellent pullout protection
- Copper-free aluminum for corrosion resistance and suitability with aluminum or galvanized steel armor
- For terminating metal clad cable with unjacketed armor in dry locations



Catalog Number	For use with cable O.D. over armor		A	B	Conduit Size C	D	G	H-J	Ship Weight (lbs.)
	Min.	Max.							
AC6	.45	.64	.65	.40	3/4	1 3/8	7/8	1 3/8	1/2
AC8	.65	.84	.85	.60	1	1 13/16	1 1/8	1 11/16	1/2
AC10	.85	1.04	1.05	.80	1 1/4	1 7/8	1 1/8	2	1/2
AC12	1.05	1.24	1.25	1.00	1 1/4	2	1 1/4	2	1/2
AC14	1.25	1.44	1.45	1.20	1 1/2	2 1/16	1 5/16	2 5/16	3/4
AC16	1.45	1.64	1.65	1.40	2	2 3/8	1 1/2	2 5/8	1 1/2
AC18	1.65	1.84	1.85	1.60	2	2 3/8	1 1/2	2 5/8	1 1/2
AC20	1.85	2.04	2.05	1.80	2 1/2	2 5/8	1 5/8	3 1/4	1 3/4
AC22	2.05	2.24	2.25	2.00	2 1/2	2 5/8	1 5/8	3 1/4	1 3/4
AC24	2.25	2.44	2.45	2.20	3	2 3/4	1 3/4	3 3/4	2
AC26	2.45	2.64	2.65	2.40	3	2 3/4	1 3/4	3 3/4	2
AC28	2.65	2.84	2.85	2.60	3	2 3/4	1 3/4	3 7/8	2
AC30	2.85	3.04	3.05	2.80	3 1/2	3 1/8	2	4 7/16	2 3/4
AC32	3.05	3.24	3.25	3.00	3 1/2	3 1/8	2	4 3/8	2 3/4
AC34	3.25	3.44	3.45	3.20	3 1/2	3 1/8	2	4 9/16	2 3/4
AC36	3.45	3.64	3.65	3.40	4	3 3/8	1 13/16	5 1/8	3
AC38	3.65	3.84	3.85	3.60	5	3 1/4	2 1/16	6	4
AC40*	3.85	4.04	4.05	3.80	5	3 3/16	2 1/8	6	4 1/2
AC42*	4.05	4.24	4.25	4.00	5	3 1/4	2 1/4	6 1/8	4 1/2
AC44*	4.25	4.44	4.45	4.20	5	3 1/4	2 1/4	6 1/8	4 1/2
AC46*	4.45	4.64	4.65	4.40	5	3 1/4	2 1/4	6 1/8	4 1/2
AC48*	4.65	4.84	4.85	4.60	5	3 1/4	2 1/4	6 1/8	4 1/2

Cable Accessories

Certifications



# Conduit Ventilating Cable Supports

## FEATURES

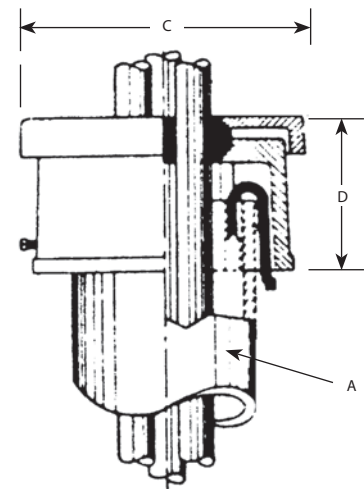
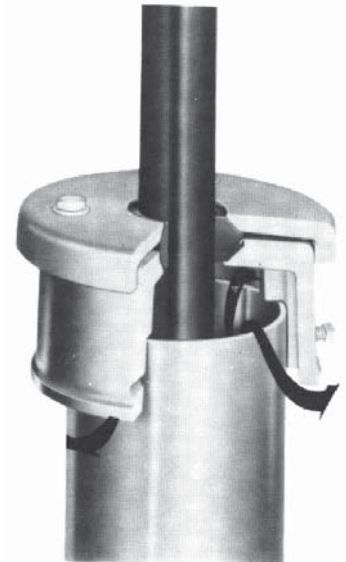
- Helps reduce temperatures in conduit, improving service life and load carrying capacity of the cable
- Neoprene gasket provides watertight seal and cable support
- Set screws secure the ventilator to conduit
- For supporting and sealing cable risers and allowing escape of heated air from conduit
- Type CV Supports are designed for use at top of conduit where cable extends into air

To Order:

1. Select catalog number of fitting
2. Indicate number and diameter of cables
3. Where used with interlocked armored cable, specify whether gasket to fit over jacket or over armor

Catalog Number	Conduit Size <b>A</b>	Max Cable O.D. <b>B</b>		<b>C</b>	<b>D</b>	Ship Weight (lbs.)
		One Hole	Three Hole*			
CV20	2	1.60	.74	4 1 <sup>1</sup> / <sub>16</sub>	2 5 <sup>8</sup> / <sub>16</sub>	2 1 <sup>2</sup> / <sub>2</sub>
CV25	2 1 <sup>2</sup> / <sub>2</sub>	1.91	.93	5 5 <sup>5</sup> / <sub>16</sub>	2 5 <sup>8</sup> / <sub>16</sub>	2 1 <sup>2</sup> / <sub>2</sub>
CV30	3	2.37	1.19	5 13 <sup>1</sup> / <sub>16</sub>	2 3 <sup>4</sup> / <sub>16</sub>	3
CV35	3 1 <sup>2</sup> / <sub>2</sub>	2.75	1.41	6 3 <sup>1</sup> / <sub>16</sub>	2 3 <sup>4</sup> / <sub>16</sub>	3 1 <sup>2</sup> / <sub>2</sub>
CV40	4	3.12	1.63	6 13 <sup>1</sup> / <sub>16</sub>	2 7 <sup>8</sup> / <sub>16</sub>	4
CV50	5	3.82	2.13	8 1 <sup>1</sup> / <sub>8</sub>	3 3 <sup>8</sup> / <sub>16</sub>	5
CV60	6	4.42	2.55	9 5 <sup>8</sup> / <sub>16</sub>	3 3 <sup>4</sup> / <sub>16</sub>	

\* Additional holes can be supplied-consult factory

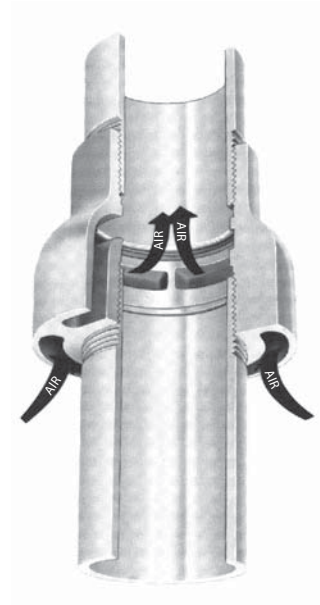


ILLUSTRATING  
MULTI-CONDUCTOR ENTRANCE

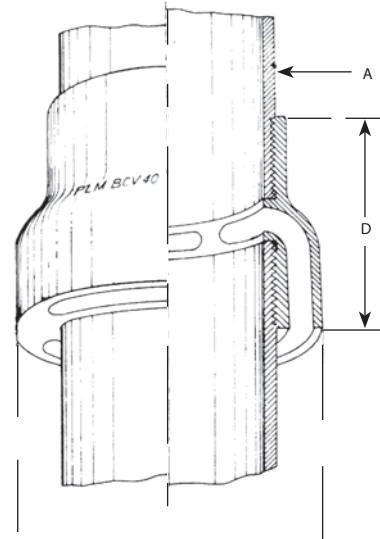
## Bottom Conduit Ventilators

### FEATURES

- Used in conduit system to allow air to enter conduit riser
- Castings are aluminum, anodized and Teflon sealed for maximum corrosion resistance
- Helps reduce temperature in conduit riser, improving service life and load carrying capacity of the cable



Catalog Number	Conduit Size <b>A</b>	<b>C</b>	<b>D</b>	Ship Weight (lbs.)
BCV 20	2	3 5/8	2 7/8	2
BCV 25	2 1/2	5 1/8	4	3
BCV 30	3	5 9/16	4 1/4	3 1/2
BCV 35	3 1/2	6 1/8	4 1/2	4
BCV 40	4	6 1/2	4 1/2	4
BCV 50	5	8 1/4	4 7/8	6
BCV 60	6	5 1/6	5 1/4	8



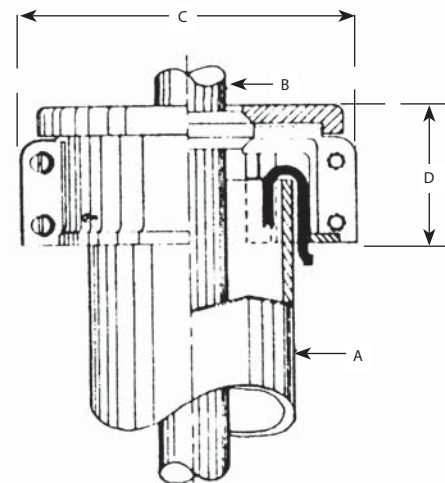
# Split Conduit Ventilating Cable Supports

## FEATURES

- Used where existing XLP or EPR cables are installed in conduit
- Split to permit installation after cable has been pulled or where cable extends some distance from ventilator mounting
- Neoprene gasket provides watertight seal. Gasket slit to allow installation.

### To Order:

1. Select catalog number of fitting
2. Indicate number and diameter of cables
3. Where used with interlocked armored cable, specify whether gasket to fit over jacket or over armor



Catalog Number	Conduit Size <b>A</b>	Max Cable O.D. <b>B</b>		<b>C</b>	<b>D</b>	Ship Weight (lbs.)
		One Hole	Three Hole*			
CVS 20	2	1.50	.54	4 5/8	2 3/8	2
CVS 25	2 1/2	1.80	.75	5 1/4	2 3/8	2
CVS 30	3	2.23	1.00	5 3/4	2 3/8	3
CVS 35	3 1/2	2.60	1.25	6 1/8	2 5/8	3 1/2
CVS 40	4	2.92	1.44	6 3/4	2 5/8	4
CVS 50	5	3.68	1.87	7 3/4	2 3/4	5
CVS 60	6	4.42	2.18	9	2 3/4	6

\* Additional hole can be supplied-consult factory

# PLM

## The Leading Coupler in the Mining Industry

### A History

PLM products began in 1951 as a supplier of cable accessories for high voltage cables. Although Cable Couplers had been used in the mining industry, it was not until 1957 when requirements began to develop for voltages higher than 5kV and Amperages greater than 200 Ampere that the first 7.5kV 500 AMP Coupler was developed by PLM Products.

Published test values backed by a high voltage laboratory and continuous innovations have kept PLM Products, now known as Adalet, as a world leader of cable couplers.

### Design

From the beginning, PLM designed Couplers to standards subsequently incorporated into mine safety codes in the United States. All PLM Couplers are completely metal enclosed with the outer shell grounded to the ground wires in the cable. Couplers are designed so that the first contact to make and last to break is the ground contact. With ground check circuits the Coupler ground check circuit is the last to make and first to break. The ground contact is also grounded to the housing assuring the operator that the Coupler is grounded.

### Use

Couplers have been utilized in underground, strip, and pit operations on every continent in the world, and for coal and hard rock mining operations of every type. Adalet Cable Couplers provide safe, convenient means for connecting portable cable rated up to 15,000 volt and up to 500 Amperes, copper or aluminum conductor to mining equipment, electric shovels, draglines, loaders, barges, tunneling machines, portable substations, portable junction boxes, or for joining lengths of high voltage cables.

Housings are of rugged, corrosion resistant cast aluminum providing high strength with light weight. Thorough gasketing makes the coupler entirely watertight. Tight fitting covers for plug and socket, protect contacts and insulators from moisture when disconnected.

Positive thread engagement of the metal housing prevents accidental disconnecting and insures proper opening and closing sequence. For further safeguard, optional electrical and mechanical (key type) systems are available.

### Other Available Couplers

Male/Female assemblies are interchangeable within housings. Specify PF or SM or consult factory. All additional options are available for the above coupler.



## Portable Cable Systems Couplers/ Plugs-Receptacles

### Cable Couplers Identification & Application

Basic nomenclature identifies the metallic shell (Plug or Socket) first, the type of contact (Male or Female) second. For switchgear or other non-cable mounted units, the letter G suffix designation is added. Example of the PLM Catalog number system is as listed:

PMG 415A - Plug, male contacts, switchgear mount, with ground check contact.

PML 415A - Plug, male contacts, line mount, with ground check contact.

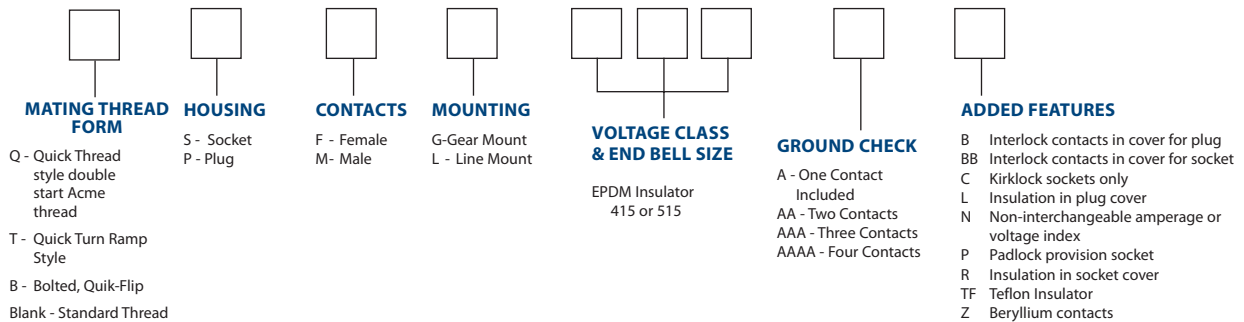
SFL 415A - Socket, female contacts, line mount, with ground check contact.

SFG 415A - Socket, female contacts, switchgear mount, with ground check contact.

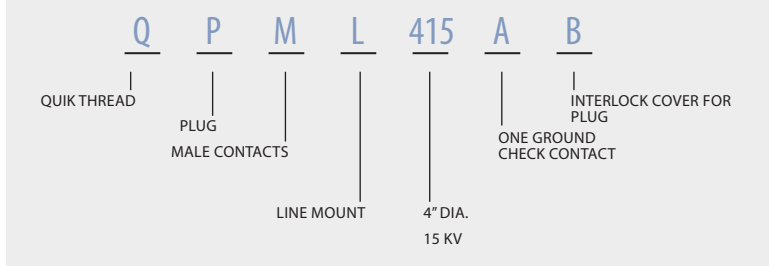
- Other added options available for the coupler and catalog number identification are listed.
- Spare part requirements are minimized by widely interchangeable components.
- Suggested application of cable couplers is a plug on one end of a cable and a socket on the other end.

Common usage has the socket being on the source end and the plug on the load end.

#### PLM Cable Coupler Selection Guide



#### Example



# Portable Cable Systems Couplers/ Plugs-Receptacles

## Cable Couplers Identification & Application

### APPLICATIONS

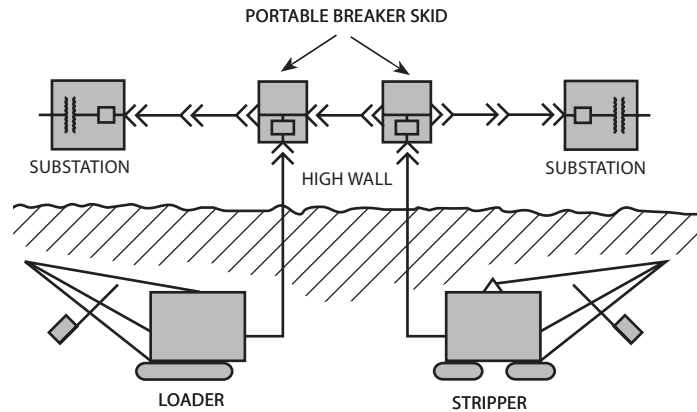
- Extending Portable Cables
- Mine Power Centers
- Electric Shovels, Drills, Draglines
- Tunneling Machines
- Transformer Connections
- Barge, Ship-Dock Applications
- Turbine Generators
- Motor Disconnect 600V-15kV to 500-Amp.

### FEATURES

- Corrosion-Resistant Aluminum
- Electrically Tested Insulator
- Silver-Plated Copper Contacts
- Ground Check System
- Portable Cable Connections
- Switchgear or Equipment Mounting
- Standard Cover Included
- FSD Terminations Included
- Interlock Covers Available
- Filling Compounds

### BENEFITS

- Physical, Electrical Protection
- Quick, Connect-Disconnect
- Provides Proper Phase Alignment
- Longer Cable Life
- Entirely Watertight
- Easy Installation
- Interlock Covers Available
- Filling Compounds



Typical Surface Mine

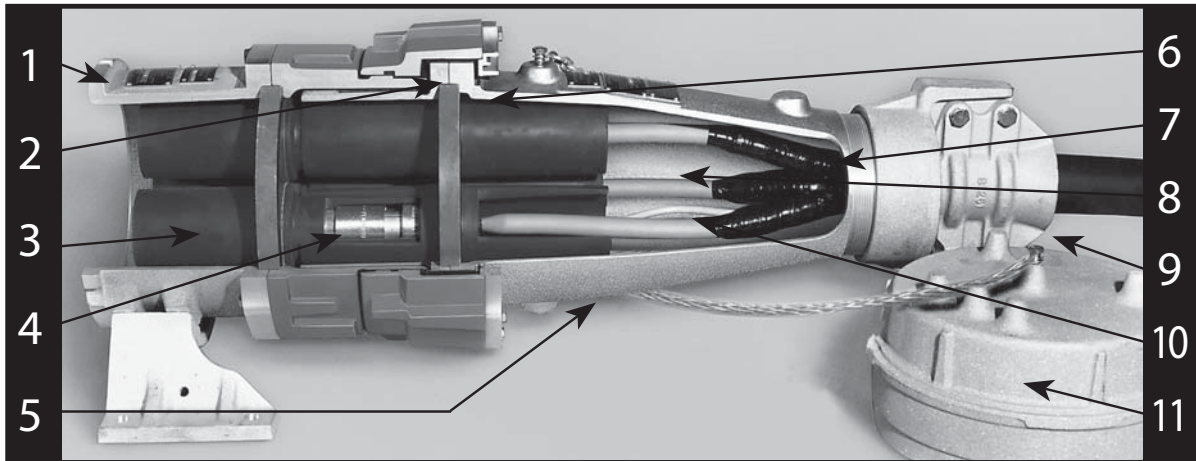
1. Female sockets on source side of substations, line, and portable skids.
2. Male plugs on load side of skids, loader and stripper.

To Order, Provide:

1. Catalog numbers.
2. Voltage requirements.
3. Conductor sizes of phase, ground wires, and ground check wire.
4. Overall cable diameter.

# Portable High Voltage Cable Couplers: 415/515 Series

## Features & Electrical Characteristics



### FEATURES (Common to most PLM Couplers)

1. Heavy duty Ecoalube coated aluminum castings for high strength and corrosion protection.
2. Completely metal enclosed insulators, O-ring sealed.
3. Rigid non-breakable EP insulator tubes eliminate mating problems. Light color provides easy check of cleanliness.
4. Close tolerance, silver plated contacts provide reliable connections and assured conductivity.
5. Smooth profile end bell resists snags.
6. Solid one piece flame retardant flange with O-rings on both sides insures against the entrance of moisture.
7. FSD stress relief pads provide fast, safe, dependable cable terminations within coupler housing.
8. Easy access chamber for COLDDPOUR® filling compound when required.
9. Rugged cable entrance clamp and thick neoprene gasket for excellent moisture seal at cable entrance.
10. Ground check circuit contact is included. Additional contacts available.
11. Captive metal covers to keep insulators clean and dry when disconnected.

### ELECTRICAL CHARACTERISTICS

Description	No Compound	With Compound
Maximum Voltage Phase-to-Ground	5.5 KV rms	8.7 KV rms
1 Minute Dry Withstand AC	35.0 KV rms	45.0 KV rms
6 Hour Dry Withstand AC	25.0 KV rms	35.0 KV rms
15 Minute Dry Withstand DC	65.0 KV	75.0 KV
Corona Extinction Level	7.5 KV rms	11.0 KV rms
Basic Impulse Level	75.0 KV crest	95.0 KV crest

\*All tests per IEEE Standard 48-1990

Compound is not included and is not required up to 7,500 volts. Above 7,500 Volts and when compound is required, use COLDDPOUR® Compound. Do not use asphalt compound. COLDDPOUR® Compound recommended for 15kv.

## Portable High Voltage Cable Couplers: 415/515

### EPDM Insulators-Dura-Tube<sup>SM</sup>

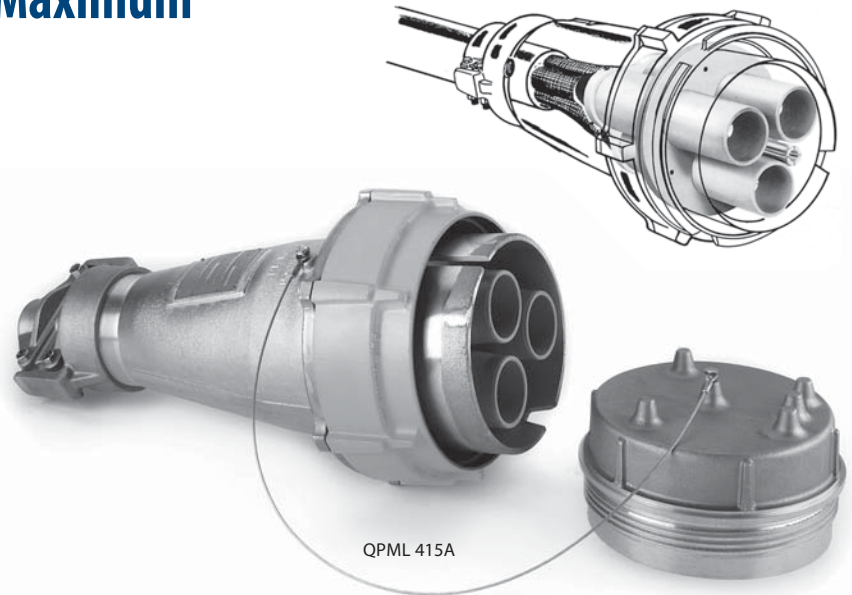
### 500 Amperes • 15,000 Volts Maximum

#### FEATURES

- Corrosion-resistant aluminum
- Rigid, non-breakable EPDM insulators
- 500 Amp contacts
- Portable cable mounting
- Switchgear or equipment mounting
- Standard cover, stress control kit, instructions included

#### BENEFITS

- Superior electrical and physical protection
- Fewer mating problems
- Quicker installation
- Quick connect-disconnect
- Versatile application



Catalog Number Standard Threads	Catalog Number Acme Quik Thread	Catalog Number Quik Turn	Description	Ship Weight (lbs.)
<b>Equipment-mounted couplers</b>				
SFG 415 A	QSFG 415A	TSFG 415A	Socket, Female Contacts	34
PMG 415 A	QPMG 415A	TPMG 415A	Plug, Male Contacts	34
<b>Line-mounted couplers 1.50-3.50 O.D. Cables</b>				
SFL 415 A	QSFL 415A	TSFL 415A	Socket, Female Contacts	51
PML 415 A	QPML 415A	TPML 415A	Plug, Male Contacts	51
<b>Line-mounted couplers 3.50-4.50 O.D. Cables</b>				
SFL 515 A	QSFL 515A	TSFL 515A	Socket, Female Contacts	53
PML 515 A	QPML 515A	TPML 515A	Plug, Male Contacts	53

- NOTES**
1. Male/Female insulator and contact assemblies are interchangeable within coupler housings.
  2. Specify PF or SM in catalog selection or consult factory.
  3. On initial orders, one coupling wrench and one contact wrench will be required.

#### Certification

Pennsylvania Bureau of Deep Mine Safety

# Portable High Voltage Cable Couplers: 415/515 Connection Options

## Quik-Thread

Quik-Thread Connections are recommended for all existing installations where abusive conditions cause thread damage or suggested for new applications where maximum convenience and speed is required.

### FEATURES

- Quik-Thread style double start ACME thread
- 2-1/2 turn engagement
- Color coded green for high visibility identification
- Fully interchangeable with other ACME thread couplers

## Quik-Turn

Quik-Turn Connections are recommended for all existing installations where abusive conditions cause thread damage or suggested for new applications where maximum convenience and speed is required.

### FEATURES

- ¼ turn engagement for fast connection.
- Stainless steel pin and sleeve for corrosion resistance.
- Color coded orange for high visibility identification.
- Fully interchangeable with other threadless couplers.
- Spare parts common to PLM 8 pitch and Quik-Thread coupler designs.



Quik-Turn

### Certification

Pennsylvania Bureau of Deep Mine Safety

## Standard Options

OPTIONS	
Description	Suffix
Ground check circuit contact (1) included	-A
Two ground check circuit contacts	-AA
Cover interlock for plug	-B
Cover interlock for socket	-BB
Kirk interlock (key type)-sockets only	-C
Electrolytic copper contacts-female	-E
Cover/insulator assembly for plug	-L
Non-interchangeable amperage or voltage index	-N
Padlock provision-socket	-P
Cover/insulator assembly for socket	-R
Beryllium contacts-male	-Z

# Portable High Voltage Cable Couplers: 415TF/515TF

## Teflon® Insulators

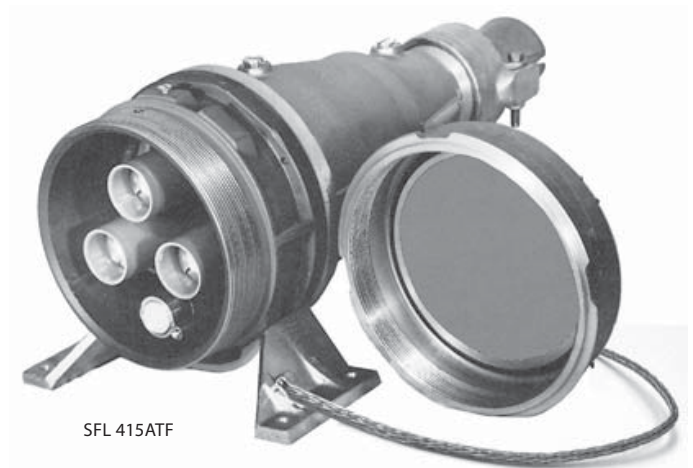
### 500 Amperes • 15,000 Volts Maximum

#### FEATURES

- Corrosion-Resistant Aluminum
- O-Ring seal between male and female insulator tubes
- Rigid, Non-Breakable TEFLON® Insulators
- 500 Amp Contacts
- Portable Cable Mounting
- Switchgear or Equipment Mounting
- Standard Cover, Stress Control Kit, Instructions Included
- Solid Polyester Fiberglass Flange
- Teflon Tubes O-ring Sealed to Flange
- Poly Lock Nuts for Positive Seal

#### BENEFITS

- Non-tracking, easy-to-clean hydrophobic material
- Superior electrical and physical protection
- Fewer mating problems
- Quicker installation
- Quick connect-disconnect
- Versatile application



SFL 415ATF

Catalog Number Standard Threads	Catalog Number Acme Quik Thread	Catalog Number Quik Turn	Description	Ship Weight (lbs.)
SFG 415 ATF	QSFG 415ATF	TSFG 415ATF	<b>Equipment-mounted couplers</b> Socket, Female Contacts	34
PMG 415 ATF	QPMG 415ATF	TPMG 415ATF	Plug, Male Contacts	34
SFL 415 ATF	QSFL 415ATF	TSFL 415ATF	<b>Line-mounted couplers 1.50-3.50 O.D. Cables</b> Socket, Female Contacts	51
PML 415 ATF	QPML 415ATF	TPML 415ATF	Plug, Male Contacts	51
SFL 515 ATF	QSFL 515ATF	TSFL 515ATF	<b>Line-mounted couplers 3.50-4.50 O.D. Cables</b> Socket, Female Contacts	53
PML 515 ATF	QPML 515ATF	TPML 515ATF	Plug, Male Contacts	53

Teflon® is a registered trademark of E.I. DuPont de Nemours and Company

- NOTES**
1. Male/Female insulator and contact assemblies are interchangeable within coupler housings.
  2. Specify PF or SM in catalog selection or consult factory.
  3. On initial orders, one coupling wrench and one contact wrench will be required.

# Portable High Voltage Cable Couplers: 415TF/515TF

## Teflon® Insulators

### Electrical Characteristics & Options

OPTIONS	
Description	Suffix
Ground check circuit contact (1) included	-A
Two ground check circuit contacts	-AA
Cover interlock for plug	-B
Cover interlock for socket	-BB
Kirk interlock (key type)-sockets only	-C
Electrolytic copper contacts-female	-E
Cover/insulator assembly for plug	-L
Non-interchangeable amperage or voltage index	-N
Padlock provision-socket	-P
Cover/insulator assembly for socket	-R
Beryllium contacts-male	-Z

ELECTRICAL CHARACTERISTICS		
Description	No Compound	With Compound
Maximum Voltage Phase-to-Ground	5.5 KV rms	8.7 KV rms
1 Minute Dry Withstand AC	35.0 KV rms	45.0 KV rms
6 Hour Dry Withstand AC	25.0 KV rms	35.0 KV rms
15 Minute Dry Withstand DC	65.0 KV	75.0 KV
Corona Extinction Level	7.5 KV rms	11.0 KV rms
Basic Impulse Level	75.0 KV crest	95.0 KV crest

\*All tests per IEEE Standard 48-1990

Compound is not included and is not required up to 7,500 volts. Above 7,500 Volts and when compound is required, use COLDPOUR® Compound. Do not use asphalt compound. COLDPOUR® Compound recommended for 15kv.

#### Certification

Pennsylvania Bureau of Deep Mine Safety



## Portable High Voltage Cable Couplers: 415/515

### Quik-Flip Clamp

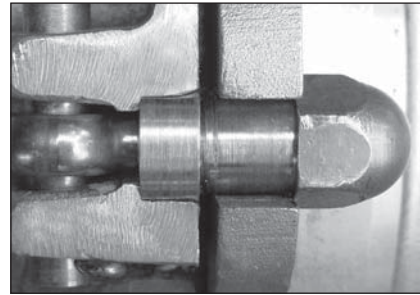
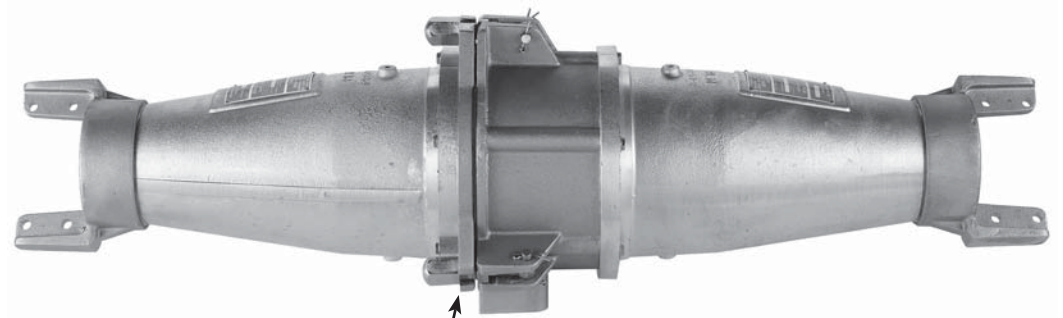
### 500 Amperes • 15,000 Volts Maximum

#### FEATURES

- Ensures one (1) second contact delay when opening
- Corrosion Resistant aluminum
- Electrically tested insulator
- Silver-plated contacts
- Ground check contact included
- Switchgear or equipment mounting
- Standard cover included
- FSD terminations included
- O-ring and gasket sealed
- Cold Pour filling compound available

#### BENEFITS

- Quick connect/disconnect
- Provides proper phase alignment
- Longer cable life
- Easy to install
- Physical and electrical protection



Quick-Flip Bolt Detail

Catalog Number	Description	Ship Weight (lbs.)
<b>Equipment-mounted couplers</b>		
BSFG 415A	Socket, Female Contacts	34
BPMG 415A	Plug, Male Contacts	34
<b>Line-mounted Couplers 1.50-3.50" O.D. Cables</b>		
BSFL 415A	Socket, Female Contacts	51
BPML 415A	Plug, Male Contacts	51
<b>Line-mounted Couplers 3.50-4.50" O.D. Cables</b>		
BSFL 515A	Socket, Female Contacts	53
BPML 515A	Plug, Male Contacts	53

**NOTE** For Teflon® insulators, add suffix TF

Teflon® is a registered trademark of E.I. DuPont de Nemours and Company

#### Compliance

Pennsylvania Bureau of Deep Mine Safety





# CONVERSION KITS

## Conversion Kits QT

Any cable coupler line mount or gear mount may be converted to Acme double start Quik-Thread style, Quik-Turn style or Quik-Flip style. These style couplers will not mate with standard 8 pitch thread couplers; therefore, it is necessary to change the socket body, lock ring, and covers. Select the correct conversion plug or socket kit from the table below. Kits include only the thread parts which must be changed, plus new screws and gaskets.

Quik-Thread coupler rings are color-coded green to provide positive identification. Quik-Turn coupler rings are color-coded orange. Conversion kits should be applied to all couplers on any single cable system.

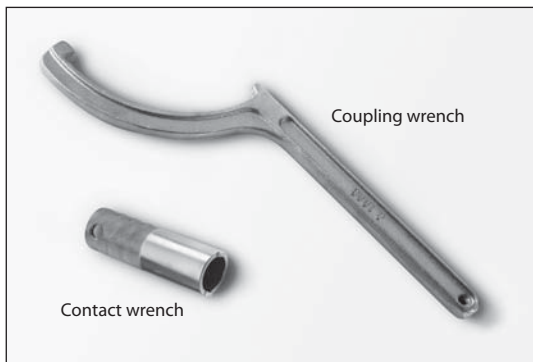


CONVERSION KIT		
Catalog Number	Acme Thread Parts Furnished	Description
QKP-8	Plug cover and lock ring	Replacement for plug-style couplers. Includes plain cover (without drilling for pilot or ground contacts).
TKP-8		
BKP-8	Bolt style plug flange and cover	
QKP-M/F-8	Plug cover (drilled for pilot and ground contacts) and	Replacement for plug-style couplers. Includes cover drilled for ground and pilot contacts (male or female). Customer to use existing contacts.
TKP-M/F-8	lock ring	
QKP-M/F-15	Plug cover (drilled for pilot and ground contacts and for	Replacement for plug-style couplers. Includes cover drilled for ground and TKP- pilot contacts (male or female) and for cover insulator assembly. Customer to use existing contacts and cover insulator assembly.
TKP-M/F-15	cover insulator assembly) and lock ring	
QKS-8	Socket cover ring and socket body	Replacement for socket-style couplers. Includes plain cover (without drilling for pilot or ground contacts).
TKS-8		
BKS-8	Bolt style socket flange and cover	
QKS-M/F-8	Socket cover ring and socket body	Replacement for socket-style couplers. Includes cover ring to be used with existing cover. Customer to use existing contacts.
TKS-M/F-8		
QKS-M/F-15	Socket cover ring and socket body	Replacement for socket-style couplers. Includes cover ring to be used with existing cover and cover insulator assembly. Customer to use existing contacts.
TKS-M/F-15		

**Compliance**

Mine Safety Health Administration  
30 CFR Part 18

## Coupler Wrenches



## COUPLER WRENCHES

Catalog Number	Description	Ship Weight (lbs.)
WR	Contact wrench for 415, 515 series	1
C-1008	Coupling wrench (Aluminum) for 415, 515 series	1
C-1008-S	Coupling wrench (Steel) for 415, 515 series	3
WR-XP	Contact wrench for X series	3

## ColdPour® Compound\* CP

Compound filling can prevent condensation and provide added protection in wet locations. Asphaltic compounds cannot be used with EPDM insulations. For those customers who may wish to use compound, ADALET offers a COLDPOUR® compound which does not require heating for installation or removal. Suitable for all couplers. No shrinkage or waste. Approximately 3-hour gel time.



## COLDPOUR COMPOUND

Catalog Number	Description	Ship Weight (lbs.)
CP-40	1 ½ gal. 2-part mix for one LINE mount or two GEAR mount couplers, Series 415 coupler.	13
CP-50	1 ⅞-gal. 2-part mix for one 515 LINE mount coupler	14

\*Shelf life, 6 mos. Should be installed at normal room temperature.

## Coupler Contact Insulation Cleaning Kit

Dirt contamination can cause electrical failures. The mating contact insulators can be efficiently cleaned with the PCK100 Cleaning Kit. Kit consists of 16-oz. spray bottle of non-flammable electrical parts cleaner, bristle brush, two white wiping cloths and polyethylene glove. Ozone-safe spray can contains no fluorocarbons.

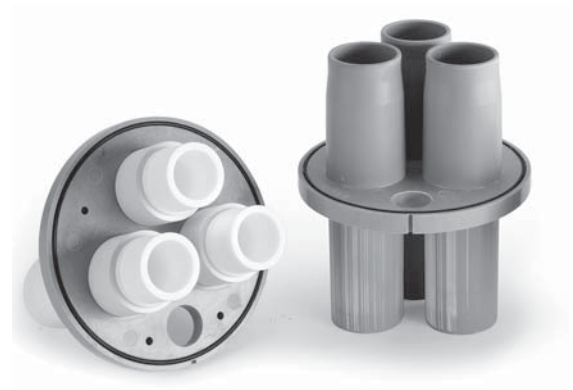


### CONTACT CLEANING KIT

Catalog Number	Description	Ship Weight (lbs.)
PCK-100	Cleaning kit	1 ½

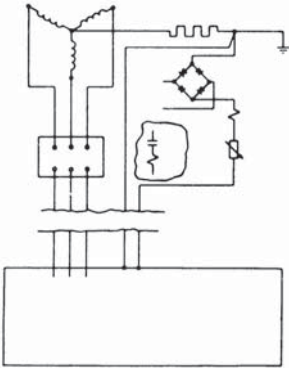
## Replacement Coupler Insulators

Insulator kits to replace polyester fiberglass and EDPM style insulators. Complete package includes rigid, unbreakable insulator tubes with flame-retardant flange. Line mount kits include all necessary conductor and insulation shield terminating material except contacts. May be used with existing PLM Couplers. Add COLDPOUR® for 15kV applications.



### COUPLER INSULATORS

Catalog Number	Description	Ship Weight (lbs.)
K 415 F	For female line plugs or sockets	10
K 415 M	For male line plugs or sockets	10
K 415 FG	For female gear-mount plugs or sockets	8
K 415 MG	For male gear-mount plugs or sockets	8



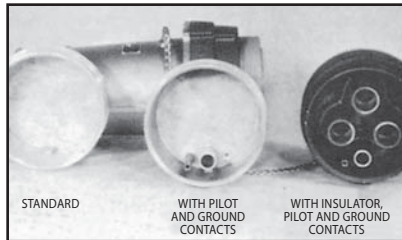
## Ground Check and Key Interlock Methods

With a total of four pilot wire contacts available, the Adalet Coupler is adaptable to any presently used ground check system. In addition to the electrical interlock (ground check system), mechanical key type locks may be used to ensure no voltage disconnection of couplers.

## Coupler Covers

The Adalet Coupler is furnished with the Standard Cover. This prevents moisture and contamination from coming in contact with the coupler insulator and contacts. When it is desired to have the Cover equipped with a Pilot contact and a Ground contact, add the suffix letter "B" to the catalog number for Plug style coupler and letter "BB" for Socket style coupler. With these contacts installed it is then possible to check the integrity of the Ground Check circuit.

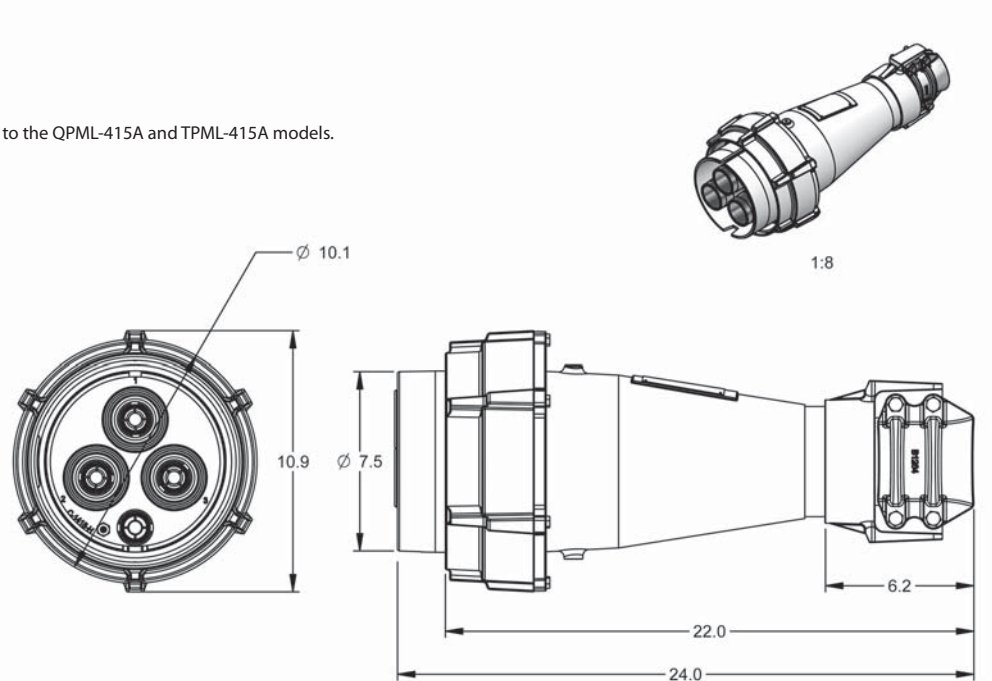
The covers are available with an insulator, pilot contact, and ground contact. It is then possible to energize the cable without the coupler being connected to another coupler. Add the suffix letters "BL" to the catalog number for Plug style coupler and letters "BBR" for Socket style coupler.



## Cable Couplers Dimensions - 415 Series

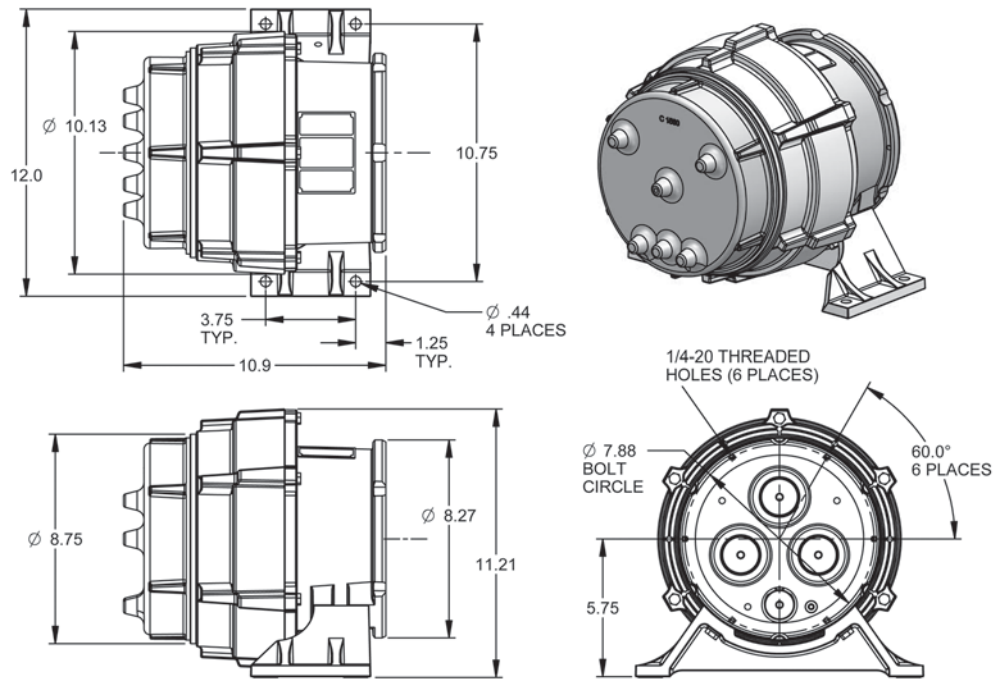
### PML415A

Note: This drawing also applies to the QPML-415A and TPML-415A models.



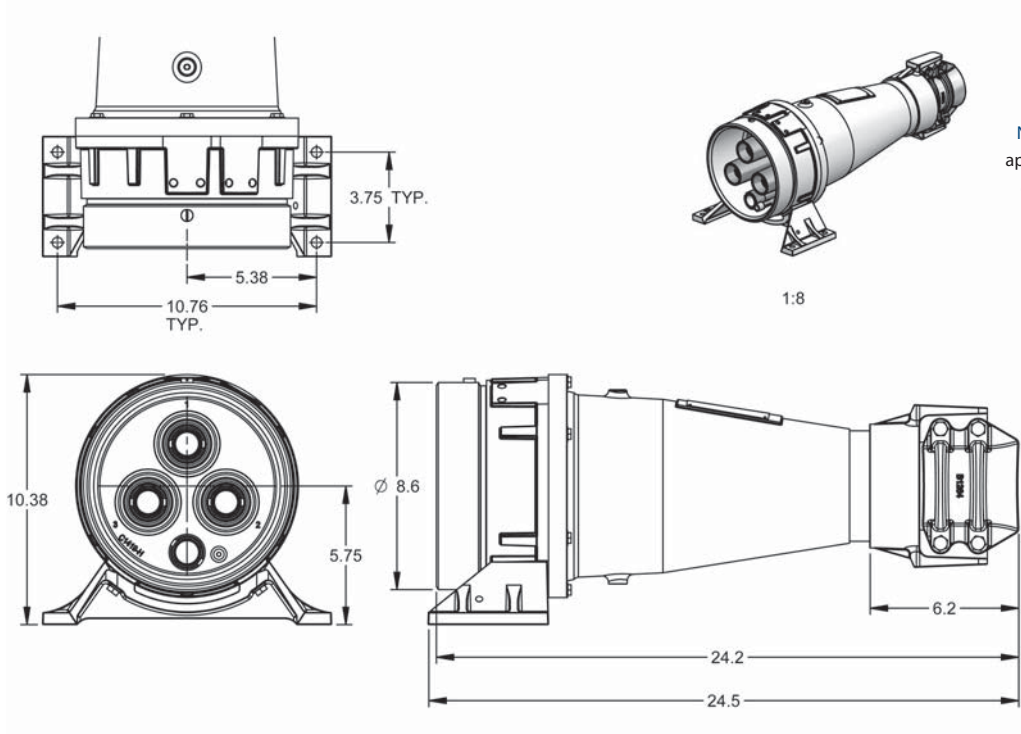
### PMG415A

Note: This drawing also applies to the QPMG-415A and TPMG-415A models.



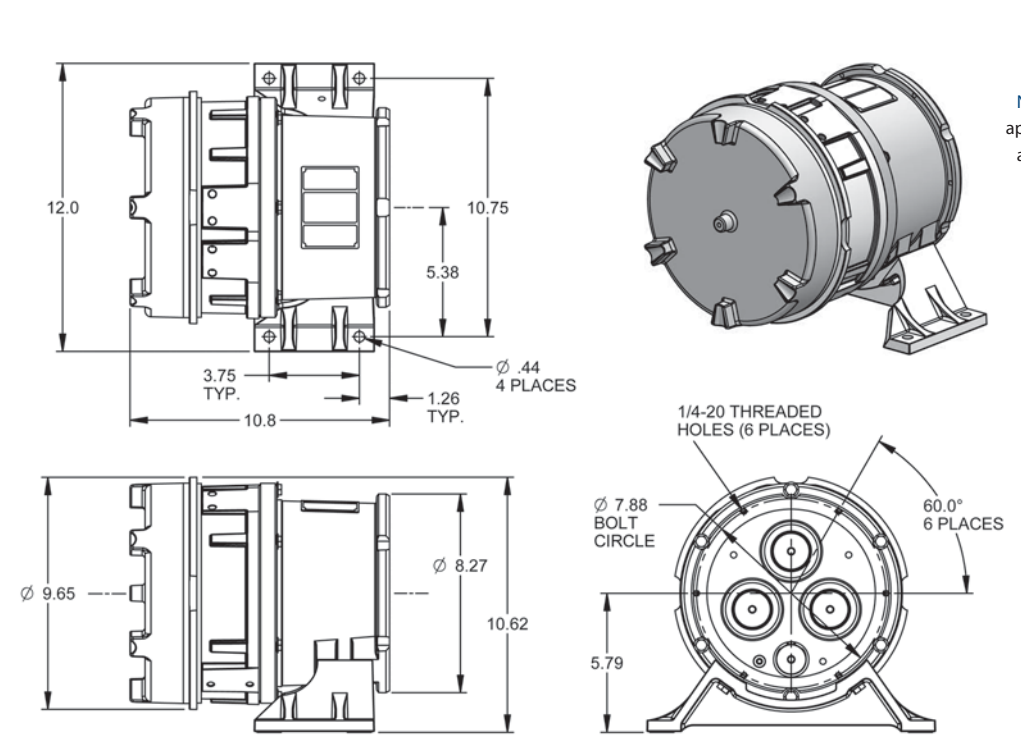
For detailed coupler specifications and drawings, visit [www.plmconnects.com](http://www.plmconnects.com)

# Cable Couplers Dimensions - 415 Series



## SFL415A

Note: This drawing also applies to the QSFL-415A and TSFL-415A models.



## SFG415A

Note: This drawing also applies to the QSFG-415A and TSFG-415A models.

For detailed coupler specifications and drawings, visit [www.plmconnects.com](http://www.plmconnects.com)







**TAB**



# Industry Standards & Definitions

	NEMA Designation	Underwriters Laboratories Inc. UL 50 and UL 508	Canadian Standards Association CSA Standard C22.2 No 94
Type 1	Indoor use to provide a degree of protection against contact with the enclosed equipment; in locations where unusual service conditions do not exist	Indoor use to provide a degree of protection against contact with the enclosed equipment and against a limited amount of falling dirt	General purpose enclosure; protects against accidental contact with live parts
Type 2	Indoor use to provide a degree of protection against contact with the enclosed equipment and against limited amounts of falling water and dirt	Indoor use to provide a degree of protection against limited amounts of falling water and dirt	Drip proof enclosure same as Type 1; indoor use to provide a degree of protection against dripping and light splashing of non-corrosive liquids and falling dirt
Type 3	Indoor or outdoor use to provide a degree of protection against windblown dust, rain and sleet; undamaged by the formation of ice on the enclosure (not sleet proof)	Indoor or outdoor use to provide a degree of protection against windblown dust, rain and sleet; undamaged by the formation of ice on the enclosure	Weatherproof enclosure; indoor or outdoor use to provide a degree of protection against rain, snow and blown dust; undamaged by the external formation of ice on the enclosure
Type 3R	Indoor or outdoor use to provide a degree of protection against falling rain and sleet; undamaged by the formation of ice on the enclosure	Indoor or outdoor use to provide a degree of protection against falling rain and sleet; undamaged by the formation of ice on the enclosure	Weather proof enclosure; indoor or outdoor use to provide a degree of protection against rain or snow; undamaged by the external formation of ice on the enclosure (CSA does not specify sleet resist)
Type 3S	Indoor or outdoor use to provide a degree of protection against windblown dust, rain and sleet; provides for operation of external mechanisms when ice laden	Indoor or outdoor use to provide a degree of protection against windblown dust, rain and sleet; external mechanisms remain operable while ice laden	Weather proof enclosure; indoor or outdoor use to provide a degree of protection against rain or snow; undamaged by the external formation of ice on the enclosure surface (CSA does not specify sleet proof)
Type 4	Indoor or outdoor use to protect the enclosed equipment against splashing water, seepage of water, falling or hose-directed water, and severe external condensation; these enclosures are sleet resistant but not sleet proof	Indoor or outdoor use to provide a degree of protection against splashing water, windblown dust and rain, and hose directed water; undamaged by the formation of ice on the enclosure	Watertight enclosure; indoor or outdoor use to provide a degree of protection against rain, snow, blown dust, splashing and hose directed water; undamaged by the external formation of ice on the enclosure
Type 4X	Indoor or outdoor use to provide a degree of protection against corrosion, windblown dust and rain, splashing water, and hose-directed water; undamaged by the formation of ice on the enclosure	Indoor or outdoor use to provide a degree of protection against splashing water, windblown dust and rain, and hose directed water; undamaged by the formation of ice on the enclosure; resists corrosion	Watertight enclosure; indoor or outdoor use to provide a degree of protection against rain, snow, blown dust, splashing and hose directed water; undamaged by the external formation of ice on the enclosure; resists corrosion
Type 5	Indoor use to provide a degree of protection against dust, falling dirt, and dripping non-corrosive liquids	Not typically used by UL.	Indoor use, so constructed that dust, readily ignitable fibers or combustible flyings cannot enter the enclosure  No CSA equivalent

# Industry Standards & Definitions

	NEMA Designation	Underwriters Laboratories Inc. UL 50 and UL 508	Canadian Standards Association CSA Standard C22.2 No 94
Type 6	Indoor or outdoor use to provide a degree of protection against the entry of water during occasional temporary submersion at a limited depth	Indoor or outdoor use to provide a degree of protection against the entry of water during temporary submersion at a limited depth; undamaged by the formation of ice on the enclosure	
Type 6P	Indoor or outdoor use to provide a degree of protection against the entry of water during prolonged submersion at a limited depth	Indoor or outdoor use to provide a degree of protection against the entry of water during prolonged submersion at a limited depth	No CSA equivalent
Type 7	For use in indoor locations classified as Class I, Groups A, B, C or D, as defined in the National Electrical Code	Not typically used by UL	Similar to NEMA designation; refer to Canadian Electric Code C22.1 Sec. 18 (C22.2 No. 30)
Type 8	For use in indoor or outdoor locations classified as Class I, Groups A, B, C and D, as defined in the National Electrical Code – oil immersed--	Not typically used by UL	Similar to NEMA designation; refer to Canadian Electric Code C22.1 Sec. 18 (C22.2 No. 30)
Type 9	For use in indoor locations classified as Class II, Groups E, F or G, as defined in the National Electrical Code	Not typically used by UL	Similar to NEMA designation dust tight (hazardous dust); refer to Canadian Electric Code C22.2 No. 25
Type 10	Mining enforcement safety administration approved	Not typically used by UL	No CSA equivalent specified for industrial control applications (See C22.5 for use of electricity in mines)
Type 11	Indoor use to provide, by oil immersion, a degree of protection to enclosed equipment against corrosive effects of liquids and gases	Indoor use to provide, by oil immersion, a degree of protection of the enclosed equipment against corrosive effects of corrosive liquids and gases	No CSA equivalent; similar to Type 4
Type 12	Indoor use to provide a degree of protection against dust, falling dirt and dripping non-corrosive liquids No knockouts	Indoor use to provide a degree of protection against dust, falling dirt and dripping non-corrosive liquids No knockouts	Indoor use to provide a degree of protection against circulating dust, lint, fibers, dripping and light splashes of non-corrosive liquids
Type 12K	Indoor enclosure with knockouts to provide a degree of protection against dust, falling dirt and dripping non-corrosive liquids other than at knockouts	Indoor use to provide a degree of protection against dust, falling dirt, and dripping non-corrosive liquids With knockouts	No CSA equivalent
Type 13	Indoor use to provide a degree of protection against lint, dust, seepage, external condensation and spraying of water, oil and non-corrosive coolant	Indoor use to provide a degree of protection against dust and spraying of water, oil and non-corrosive coolants	Indoor use to provide a degree of protection against circulating dust, lint, fibers, seepage and spraying of non-corrosive liquids including oils and coolants

## Industry Standards & Definitions

### European Standards

Type of Protection	Method of Protection	CENELEC Designation
Flameproof Enclosure	Containment	'd'
Increased Safety	Additional Measures	'e'
Intrinsically Safe	Electrical	'i'

These designations are typically preceded by Ex, the designation indicating an apparatus built to a Zone standard.

#### European Classification of Hazardous Locations

Zone 0	Explosive gas present continuously
Zone 1	Explosive gas present occasionally under normal operating conditions
Zone 2	Explosive gas present for short period
Zone 20	Explosive dust present continuously
Zone 21	Explosive dust present occasionally under normal operating conditions
Zone 22	Explosive dust present for short period

#### Explosion Groups

Group I	Electrical equipment for mining applications
Group II	Electrical equipment for all remaining hazardous areas

Ingress Protection (IP rating) defines the degree of protection

## Scope of Protection for the IP Protection Classes

First Digit			Second Digit	
Digit	Physical protection	Foreign body protection	Digit	Water protection
0	No protection	No protection	0	No protection
1	Protection against back of hand contact	Protection against solid foreign bodies 50 mm diameter	1	Protection against water drops falling vertically
2	Protection against finger contact	Protection against solid foreign bodies 12.5 mm diameter	2	Protection against water drops falling at an angle (15°)
3	Protection against contact from tools	Protection against solid foreign bodies 2.5 mm diameter	3	Protection against water-spray at an angle up to 60°
4	Protection against contact with a wire	Protection against solid foreign bodies 1.0 mm diameter	4	Protection against water-spray from all directions
5	Protection against contact with a wire	Protection against dust	5	Protection against water jets
6	Protection against contact with a wire	Dust-tight	6	Protection against strong water jets
7			7	Protection against intermittent immersion in water
8			8	Protection against continuous immersion in water

# Industry Standards & Definitions

Three popular methods of protection which exist in North America for hazardous electrical locations:

Type of Protection	Method of Protection
1. Explosionproof	Containment
2. Increased Safety	Mechanical
3. Intrinsically Safe	Electrical

## North American Classification System for Hazardous Locations

North American hazardous locations are categorized by three criteria: Class - nature of hazardous substance present; Division - frequency of presence; Group - specific type of hazardous material.

Class I	Potentially explosive gas or vapor
Class II	Potentially explosive dust
Class III	Potentially explosive fiber
Division 1	Potentially explosive substance present under normal operating conditions
Division 2	Potentially explosive substance present under abnormal operating conditions

## HAZARDOUS (CLASSIFIED) LOCATIONS or Selected Gases, Vapors and Dusts

Group A - Atmospheres acetylene	ethylene ethylenimine ethyl mercaptan ethyl sulfide	ethyl acetate ethyl acrylate (inhibited) ethylene diamine (anhydrous) ethylene dichloride ethylene glycol monomethyl ether gasoline heptanes hexanes isoprene	1-propanol (propyl alcohol) 2-propanol (isopropyl alcohol) propylene styrene toluene vinyl acetate vinyl chloride xylenes
Group B - Atmospheres acrolein (inhibited) (2) arsine butadiene (1) ethylene oxide (2) hydrogen manufactured gases containing more than 30% H <sub>2</sub> (by volume) propylene oxide (2) propylnitrate	hydrogen cyanide hydrogen sulfide morpholine 2-nitropropane tetrahydrofuran unsymmetrical dimethyl hydrazine	isopropyl ether mesityl oxide methane (natural gas) methanol (methyl alcohol) 3-methyl-1 butanol (isoamyl alcohol) methyl ethyl ketone methyl isobutyl ketone 2-methyl-1-propanol (isobutyl alcohol) 2-methyl-2-propanol (tertiary butyl alcohol) petroleum naphtha (4) pyridine octanes pentanes 1-pentanol (amyl alcohol) propane	Group E - Atmospheres containing metal dust, including aluminum, magnesium, and their commercial alloys, and other metals of similarly hazardous characteristics
Group C - Atmospheres acetaldehyde allyl alcohol n-butyraldehyde carbon monoxide crotonaldehyde cyclopropane diethyl ether diethylamine epichlorohydrinn	Group D - Atmospheres acetic acid (glacial) acetone acrylonitrile ammonia benzene butane 1-butanol (butyl alcohol) 2-butanol (secondary butyl alcohol) n-butyl acetate isobutyl acetate di-isobutylene ethane ethanol (ethyl alcohol)		Group F - Atmospheres containing carbon black, coal or coke dust  Group G - Atmospheres containing flour, starch or grain dust  Note: Carbon disulfide must be treated in a special manner.

Example: An area where hydrogen was present under normal operating conditions would require a product suitable for Class I, Division 1, Group B applications.

# Industry Standards & Definitions

## Classification by Group and Category According to Intended Use (Surface Industry)

Area	Category of Equipment	Presence or Duration of Explosive Atmosphere	Inflammable Substances	Level of Protection Faults to Allow for	Area Classification
Equipment Group II (surface)	1	Continuous Presence Long Periods Frequent	Gas, Vapors, Mist, Dust	Very High Level of Protection 2 types of protection or 2 Independent faults	Group II Zone 0 (gas) Zone 20 (dust)
	2	Likely to Occur	Gas, Vapors, Mist, Dust	High Level of Protection 1 Type of Protection Habitual frequent malfunction	Group II Zone 1 (gas) Zone 21 (dust)
	3	Unlikely to Occur Present for a Short Period	Gas, Vapors, Mist, Dust	Normal Protection Required Level of Protection	Group II Zone 2 (gas) Zone 22 (dust)



# Industry Standards & Definitions

## Temperature Rating

The maximum surface temperature of the exposed surface of electrical apparatus must always be lower than the ignition temperature of the gas or vapor mixture.

Temperature Class	Maximum Surface Temperature	Ignition Temperature of Combustible Material
T1	450 C	>450 C
T2	300 C	>300 C
T3	200 C	>200 C
T4	135 C	>135 C
T5	100 C	>100 C
T6	85 C	>85 C

## Safety Characteristics of Flammable Gases and Vapors

Medium	Ignition temperature °C	Temperature class	Explosion group
Acetaldehyde	140	T 4	II A
Acetic acid	485	T 1	II A
Acetic anhydride	330	T 2	II A
Acetone	540	T 1	II A
Acetylene	305	T 2	II C
Ammonia	630	T 1	II A
Amylacetate	380	T 2	II A
Benzene	220	T 3	II A
Benzol	555	T 1	II A
Carbon disulfide	95	T 6	II C
Carbon monoxide	605	T 1	II A
Cyclohexene	430	T 2	II A
1,2-Dichlorethane	440	T 2	II A
Diesel fuel	220 up to 300	T 3	II A
Ethane	515	T 1	II A
Ethylacetate	460	T 1	II A
Ethylalcohol	425	T 2	II B
Ethylchloride	510	T 1	II A
Ethylene	425	T 2	II B
Ethylenoxide	440	T 2	II B
Ethylether	180	T 4	II B
Ethyl glycol	235	T 3	II A
Fuel oil	220 up to 300	T 3	II A
Hydrogen	560	T 1	II B
Hydrogen disulfide	270	T 3	II C
Methane	595 (650)	T 1	II A
Methanol	455	T 1	II A
Methyl chloride	625	T 1	II A
n-Butane	365	T 2	II A
n-Butylalcohol	340	T 2	II A
n-Hexane	240	T 3	II A
n-Propylalcohol	405	T 2	II A
Naphthaline	520	T 1	II A
Oleic acid	360	T 2	II A
Phenol	595	T 1	II A
Propane	470	T 1	II A
Tetraline	425	T 2	II A
Toluole	535	T 1	II A

